



US00D642999S

(12) **United States Design Patent**
Wan et al.

(10) **Patent No.:** **US D642,999 S**

(45) **Date of Patent:** **** Aug. 9, 2011**

(54) **DATA TRANSMISSION DEVICE**

(75) Inventors: **Chi Sheung Wan**, Middlesex (GB);
Edward Snodgrass, Middlesex (GB)

(73) Assignee: **British Sky Broadcasting Limited** (GB)

(**) Term: **14 Years**

(21) Appl. No.: **29/381,784**

(22) Filed: **Dec. 22, 2010**

(51) **LOC (9) Cl.** **14-03**

(52) **U.S. Cl.** **D14/125**

(58) **Field of Classification Search** D14/125,
D14/357-358, 496, 188, 242, 432; D13/184;
348/10, 460, 706, 731; 340/825.03; 455/6.1,
455/6.2; 312/223.1, 7.2
See application file for complete search history.

(56) **References Cited**

U.S. PATENT DOCUMENTS

D511,151 S * 11/2005 Wells D14/125
D566,065 S * 4/2008 Whittaker et al. D14/125
D566,667 S * 4/2008 Whittaker et al. D14/125

D566,668 S * 4/2008 Whittaker et al. D14/125
D571,743 S * 6/2008 Tu D14/125
D577,693 S * 9/2008 King et al. D14/125
D584,253 S * 1/2009 Whittaker et al. D14/125

* cited by examiner

Primary Examiner — Raphael Barkai

Assistant Examiner — Randall Gholson

(74) *Attorney, Agent, or Firm* — Kilpatrick Townsend and
Stockton LLP.

(57) **CLAIM**

The ornamental design for a data transmission device, as
shown and described.

DESCRIPTION

FIG. 1 is a perspective view of a data transmission device
showing our new design;

FIG. 2 is a top plan view thereof;

FIG. 3 is a bottom plan view thereof;

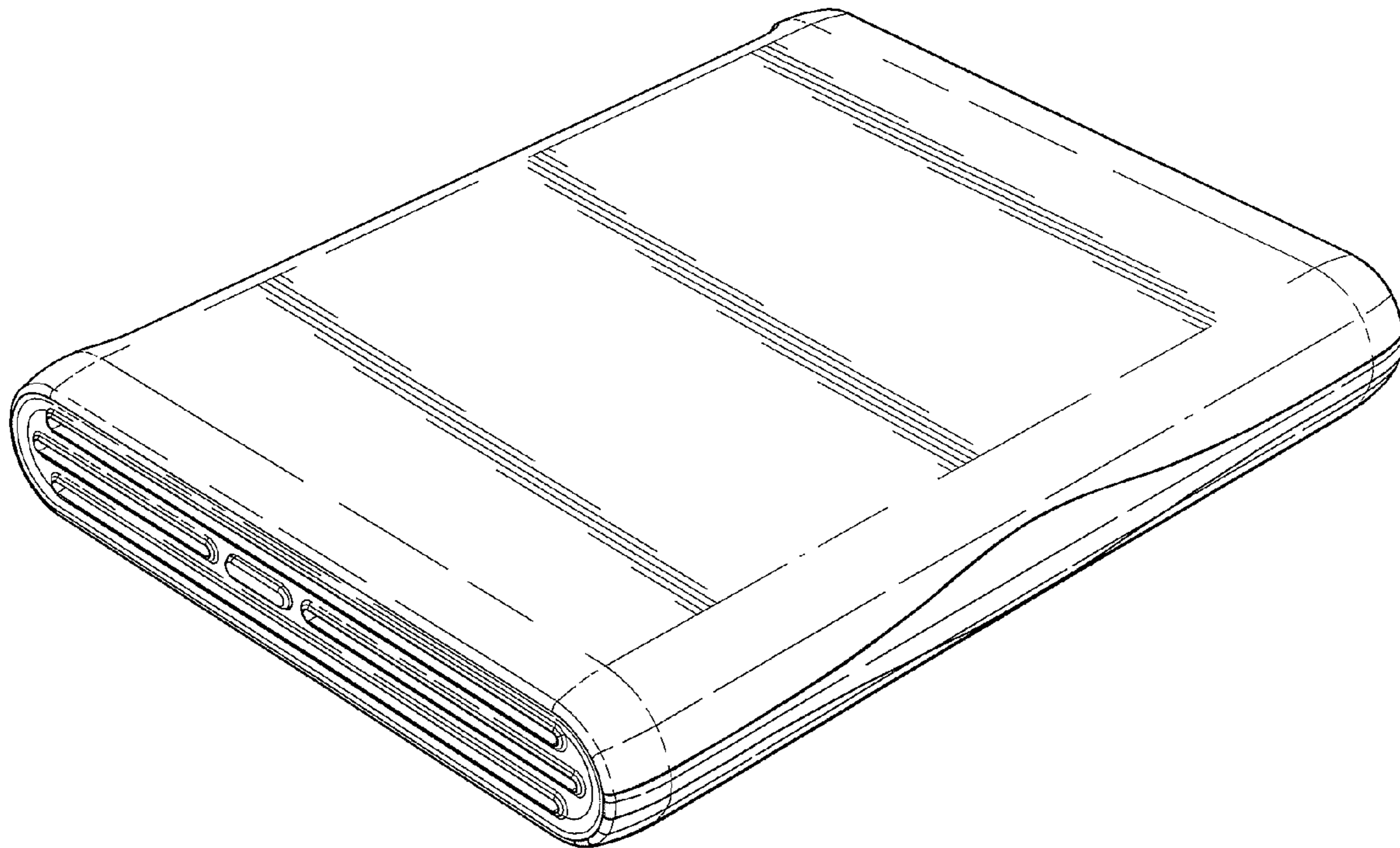
FIG. 4 is a front view thereof;

FIG. 5 is a back view thereof;

FIG. 6 is a left end view thereof; and,

FIG. 7 is a right end view thereof.

1 Claim, 7 Drawing Sheets



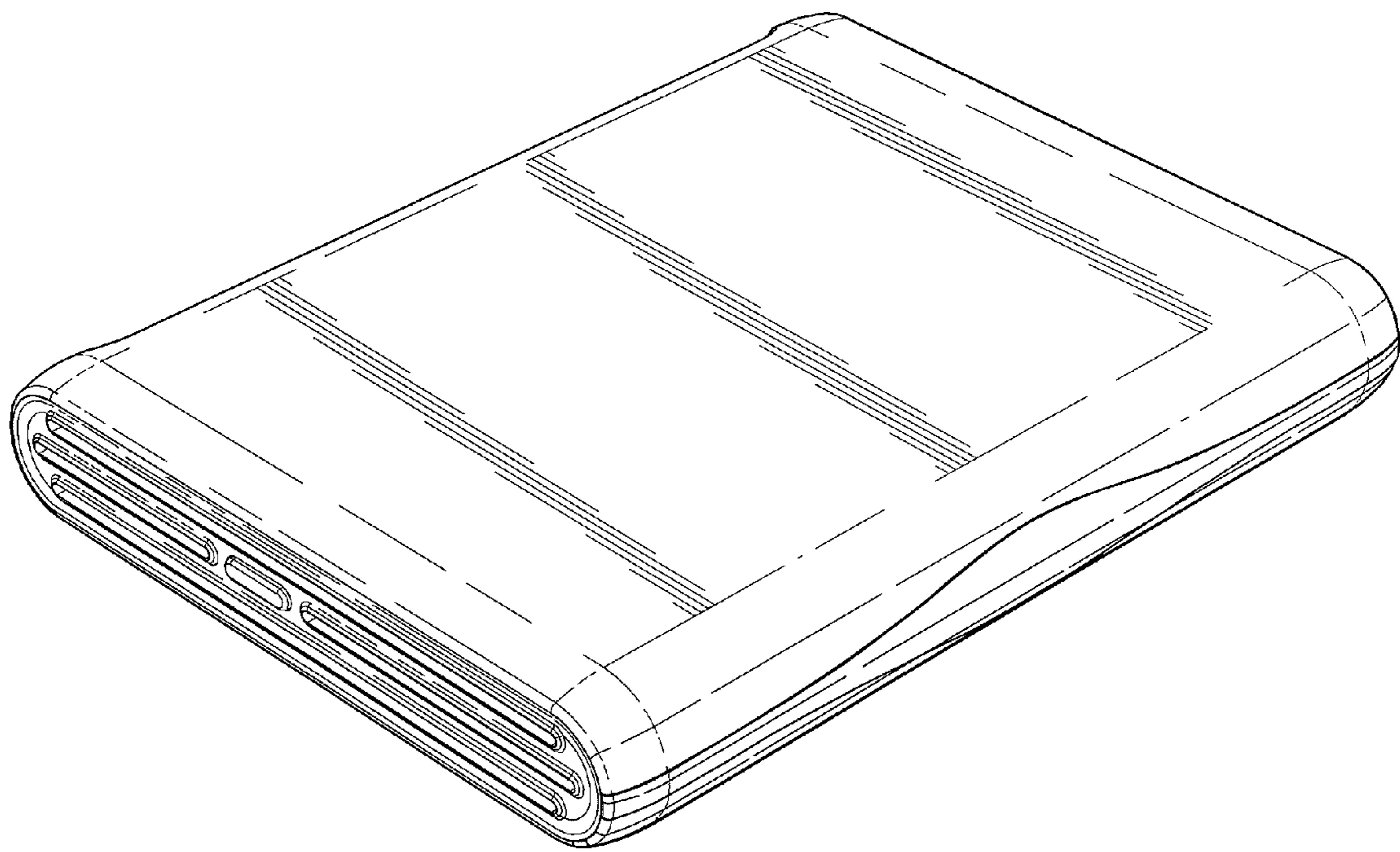


FIG. 1

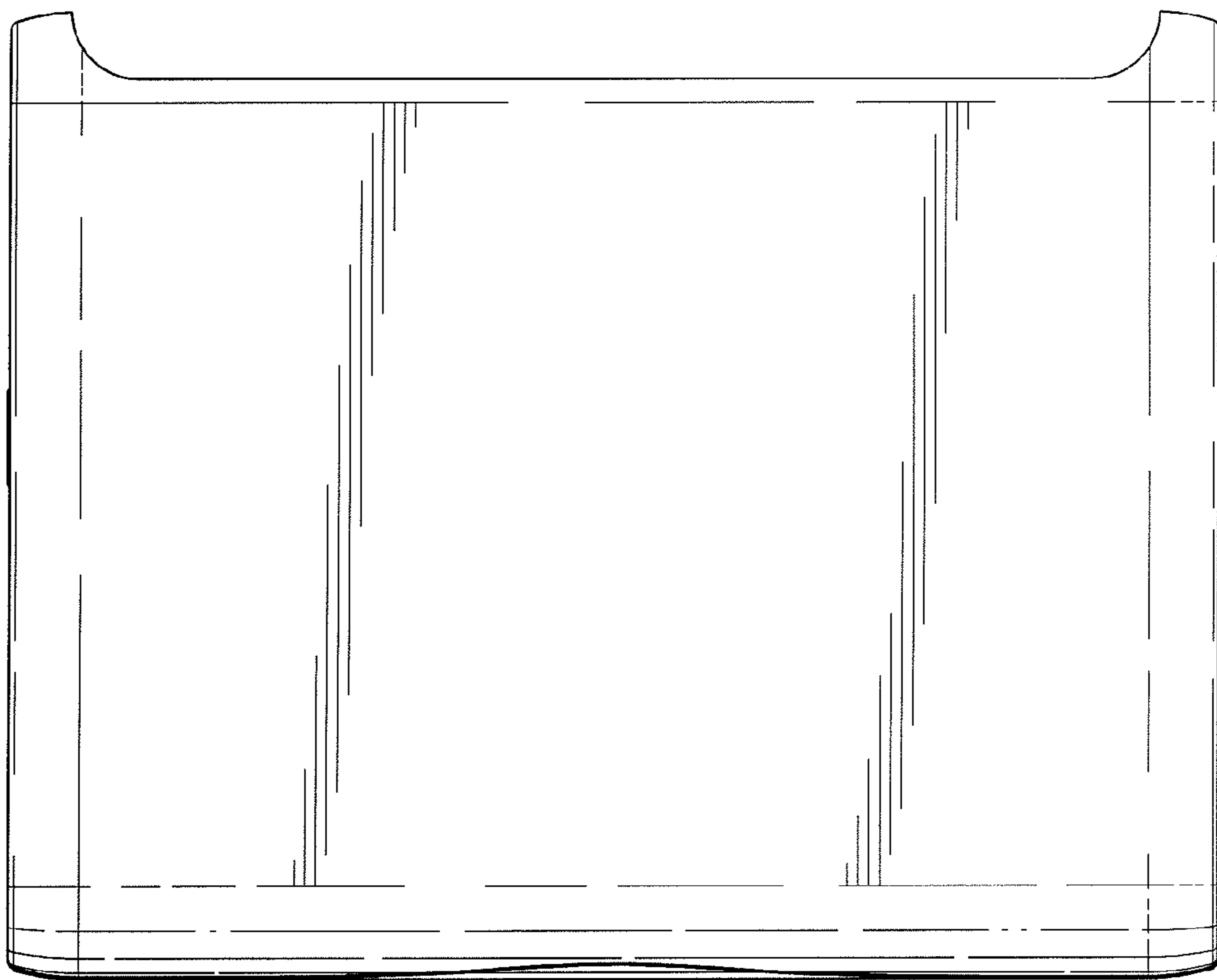


FIG. 2

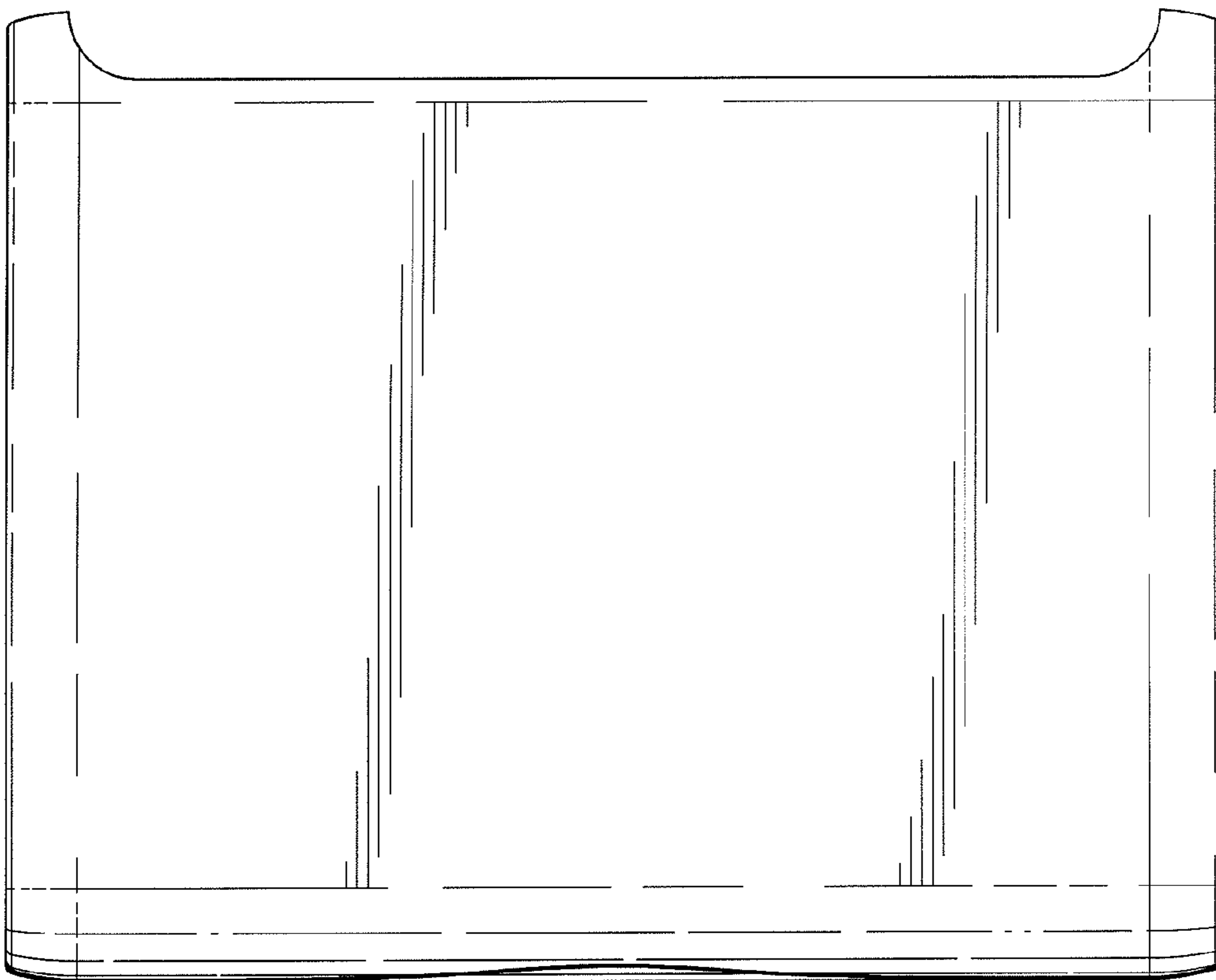


FIG. 3

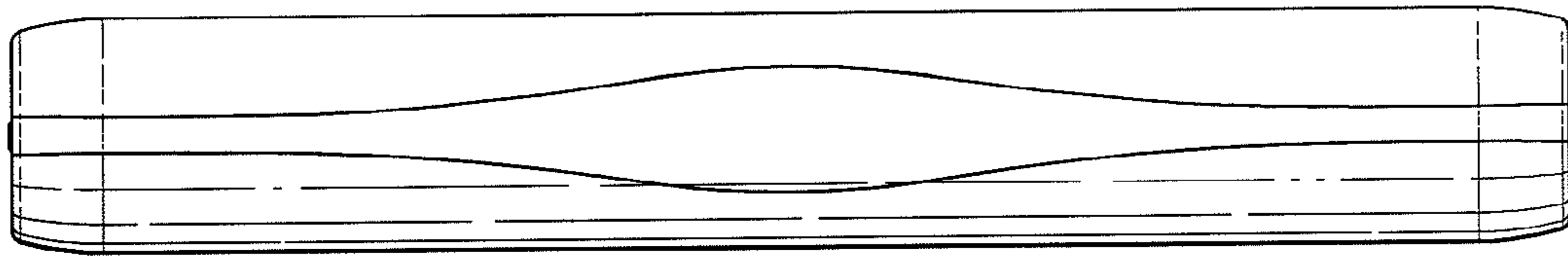


FIG. 4

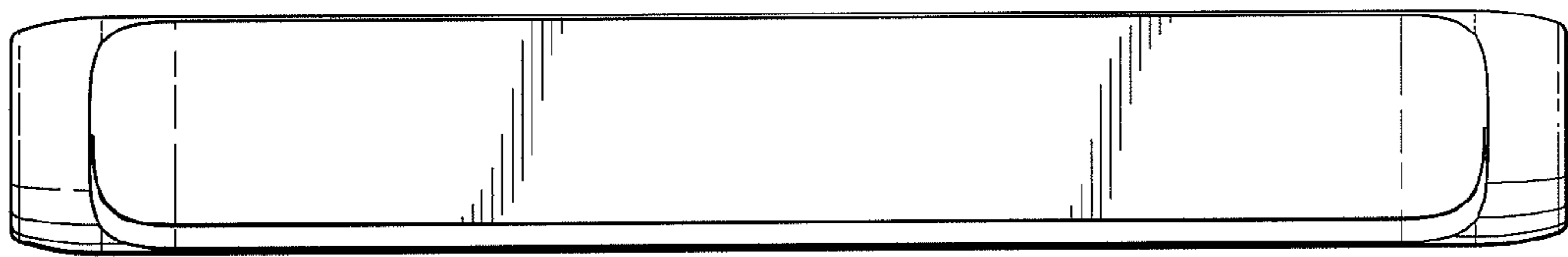


FIG. 5

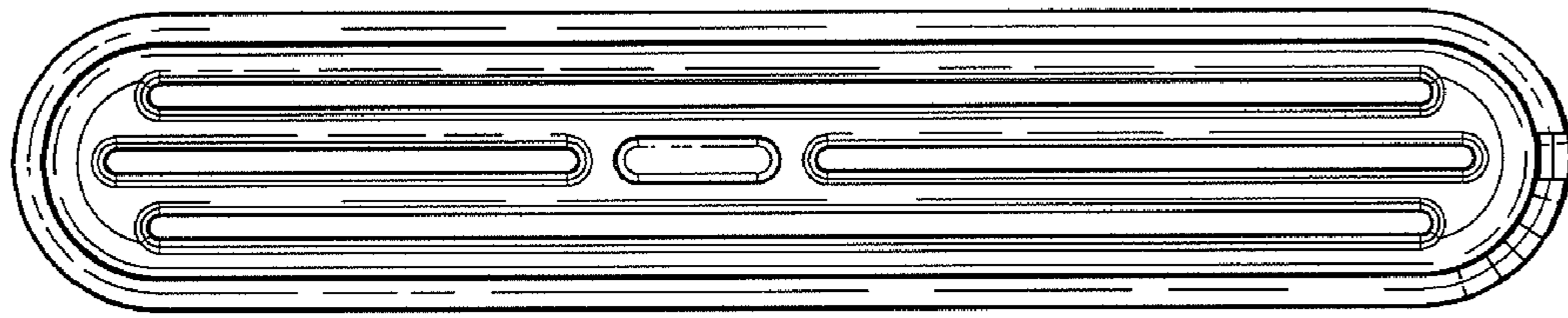


FIG. 6

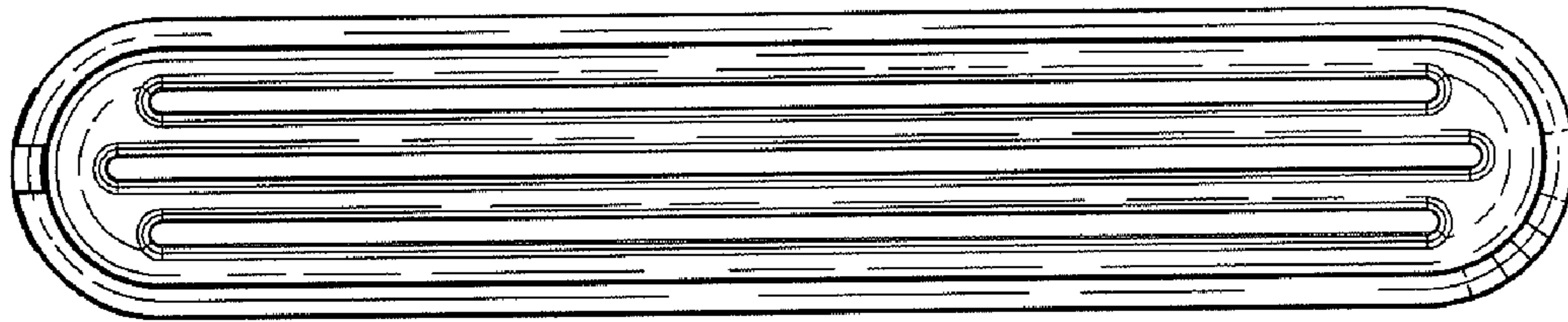


FIG. 7