



US00D642997S

(12) **United States Design Patent**
Morikawa et al.

(10) **Patent No.:** **US D642,997 S**

(45) **Date of Patent:** **** Aug. 9, 2011**

(54) **LIGHT SOURCE OF LIGHT EMITTING DIODE**

(75) Inventors: **Makoto Morikawa**, Nara (JP);
Toshifumi Ogata, Osaka (JP); **Kenji Sugiura**, Osaka (JP); **Noriyasu Tanimoto**, Osaka (JP); **Masumi Abe**, Osaka (JP); **Ryo Minamihata**, Osaka (JP)

(73) Assignee: **Panasonic Corporation**, Osaka (JP)

(**) Term: **14 Years**

(21) Appl. No.: **29/378,924**

(22) Filed: **Nov. 11, 2010**

(30) **Foreign Application Priority Data**

May 14, 2010 (JP) 2010-011831

(51) **LOC (9) Cl.** **13-03**

(52) **U.S. Cl.** **D13/180**

(58) **Field of Classification Search** D13/180;
D26/1, 24, 72, 120, 138; 313/483, 498, 500;
362/555, 800; 257/79, 80, 81, 88, 89, 95,
257/98, 99, 100, E33.058

See application file for complete search history.

(56) **References Cited**

U.S. PATENT DOCUMENTS

D440,513	S	*	4/2001	Smith	D10/114.3
6,855,962	B2	*	2/2005	Shakuda et al.	257/99
D510,913	S	*	10/2005	Sumitani	D13/180
D528,996	S	*	9/2006	Egawa	D13/180
D529,203	S		9/2006	Nagai		
D531,139	S	*	10/2006	Egawa et al.	D13/180
D535,262	S	*	1/2007	Saito et al.	D13/180
D565,753	S	*	4/2008	Uemoto et al.	D26/24

D566,059	S	*	4/2008	Tanaka	D13/180
D587,218	S	*	2/2009	Imai et al.	D13/180
D597,502	S	*	8/2009	Ogata et al.	D13/180
D627,921	S	*	11/2010	Chen	D26/138
7,837,370	B2	*	11/2010	Bierhuizen et al.	362/555
D629,963	S	*	12/2010	Little et al.	D26/138
7,872,418	B2	*	1/2011	Hata et al.	313/512
D636,355	S	*	4/2011	Tsai et al.	D13/180
D636,356	S	*	4/2011	Yamada	D13/180

FOREIGN PATENT DOCUMENTS

JP	D1301402	5/2007
JP	D1301614	5/2007

* cited by examiner

Primary Examiner — Selina Sikder

(74) *Attorney, Agent, or Firm* — Brinks Hofer Gilson & Lione

(57) **CLAIM**

We claim the ornamental design for a light source of light emitting diode, as shown and described.

DESCRIPTION

FIG. 1 is a front perspective view of a light source of light emitting diode of the present invention;
FIG. 2 is a front view thereof;
FIG. 3 is a rear view thereof;
FIG. 4 is a first side view thereof;
FIG. 5 is a second side view thereof;
FIG. 6 is a top view thereof; and,
FIG. 7 is a bottom view thereof.

The broken line showing of light source of light emitting diode is included for the purpose of illustrating environment and forms no part of the claimed design. Additionally, the unevenly broken lines in the drawings define the limits of the claimed design.

1 Claim, 7 Drawing Sheets

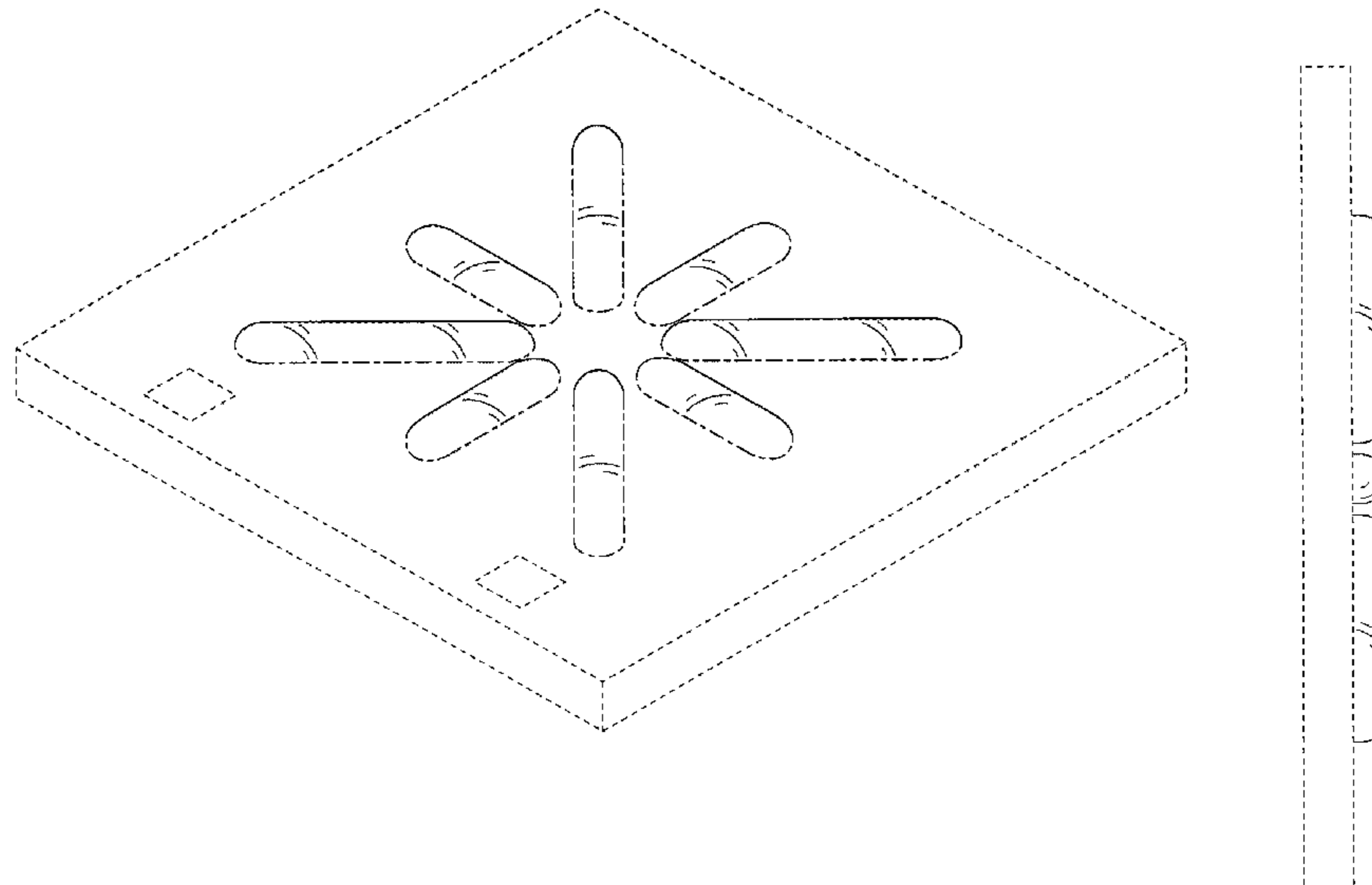


FIG.1

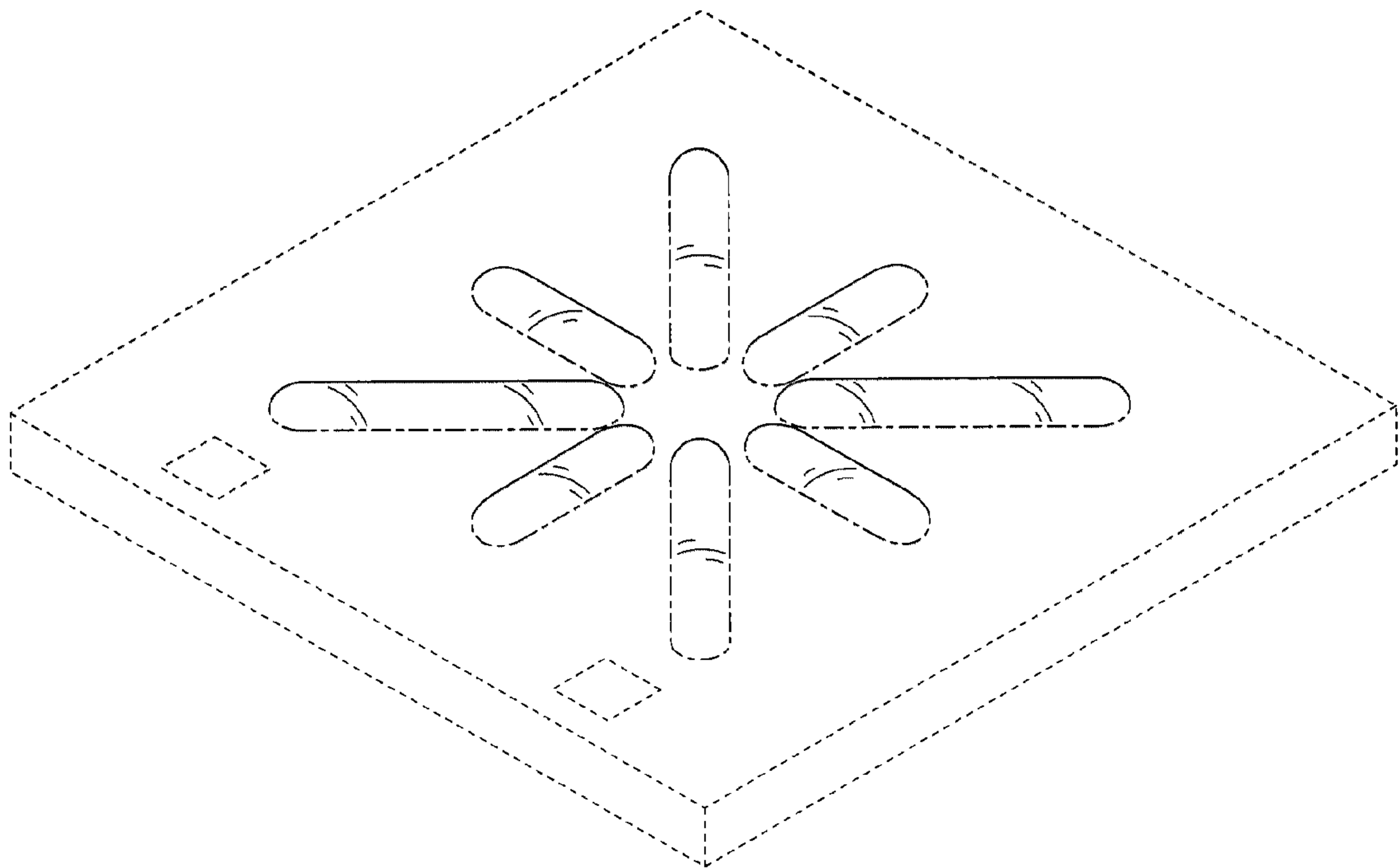


FIG.2

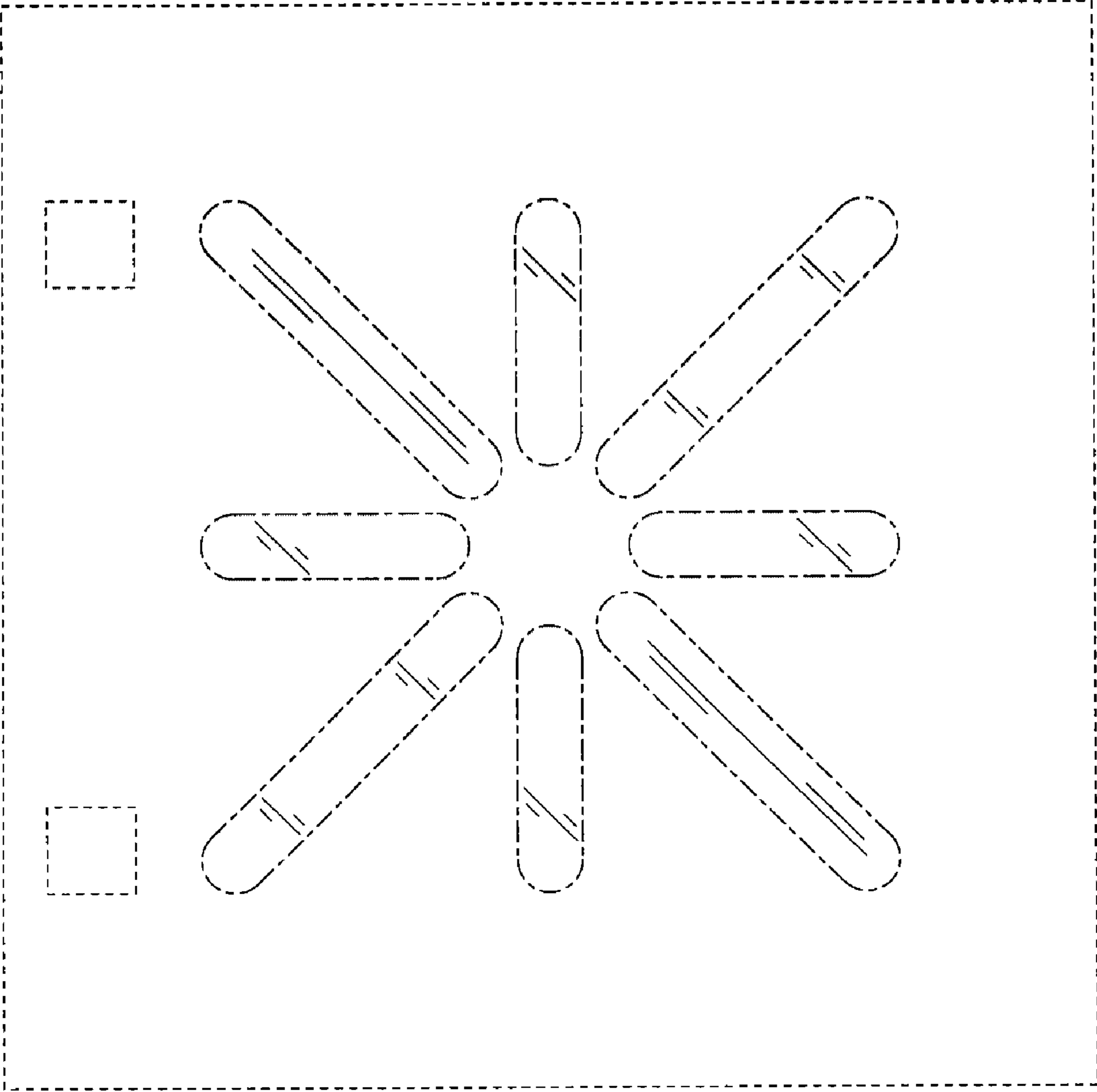


FIG.3

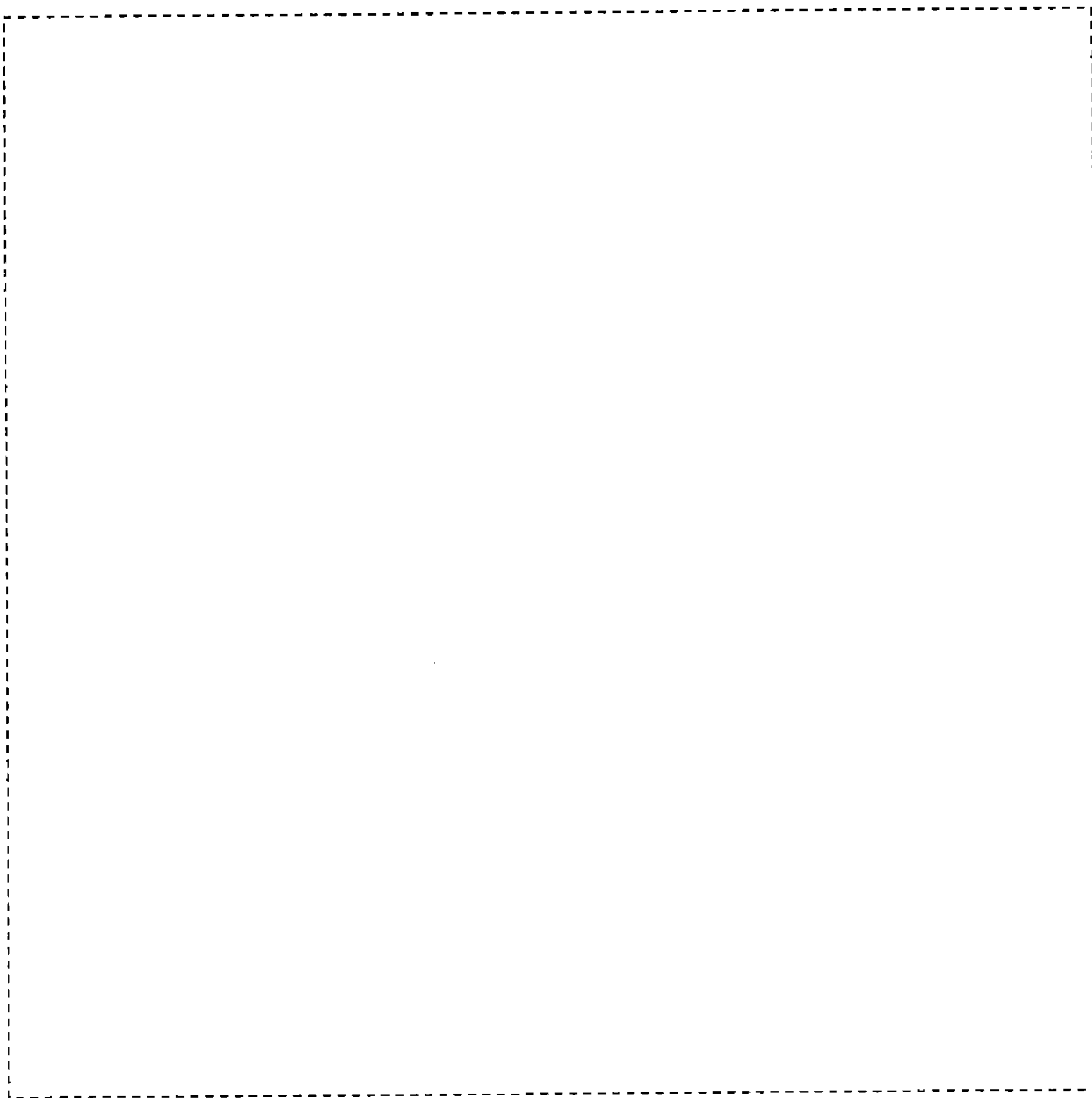


FIG.4

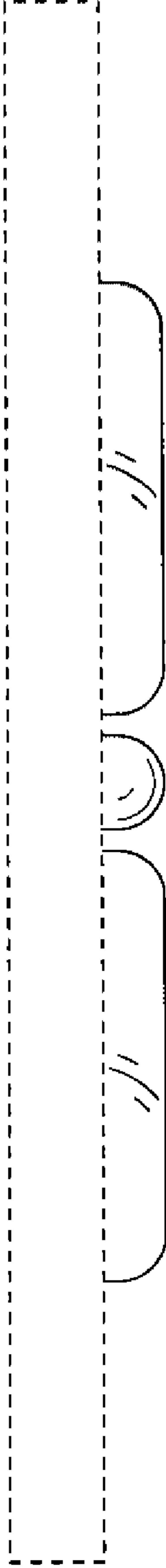


FIG.5

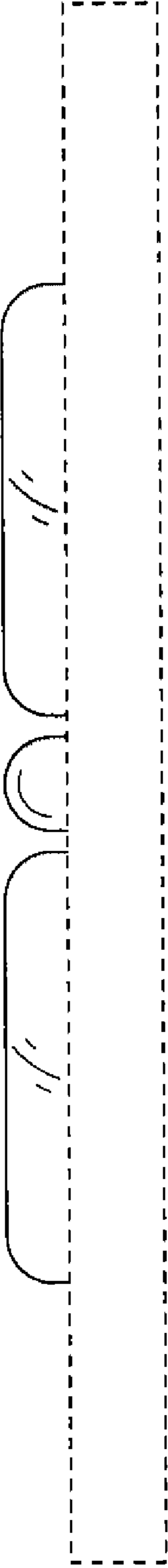


FIG.6

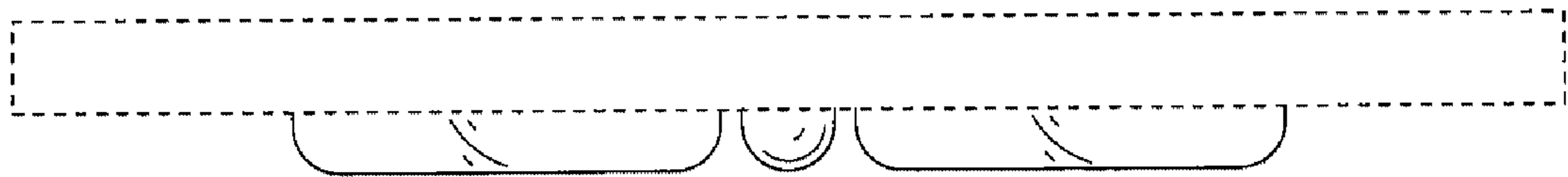


FIG.7

