



US00D642996S

(12) **United States Design Patent**  
**Miyake**

(10) **Patent No.:** **US D642,996 S**

(45) **Date of Patent:** **\*\* Aug. 9, 2011**

(54) **ELECTROLUMINESCENCE APPARATUS**

(75) Inventor: **Yoshiyuki Miyake**, Neyagawa (JP)

(73) Assignee: **Panasonic Electric Works Co., Ltd.**,  
Kadoma-shi (JP)

(\*\*) Term: **14 Years**

(21) Appl. No.: **29/376,633**

(22) Filed: **Oct. 8, 2010**

(30) **Foreign Application Priority Data**

Apr. 9, 2010 (JP) ..... 2010-009040

(51) **LOC (9) Cl.** ..... **13-03**

(52) **U.S. Cl.** ..... **D13/180; D13/182**

(58) **Field of Classification Search** ..... D13/180,  
D13/182; 174/254; 257/40, 66, 72, 79; 313/483,  
313/494, 504, 506, 512; 315/169.3; 345/76,  
345/82; 445/25; 428/690; 438/99, 460;  
427/66

See application file for complete search history.

(56) **References Cited**

**U.S. PATENT DOCUMENTS**

3,497,750	A *	2/1970	Knochel et al.	.....	313/503
4,721,883	A *	1/1988	Jacobs et al.	.....	313/505
6,124,672	A *	9/2000	Burke	.....	313/506
6,771,021	B2 *	8/2004	Cok	.....	313/512
6,787,994	B2 *	9/2004	Cok	.....	313/512
6,850,006	B2 *	2/2005	Kim et al.	.....	313/512

7,677,944	B2 *	3/2010	Kawauchi	.....	445/25
D632,657	S *	2/2011	Fujihara et al.	.....	D13/180
D633,054	S *	2/2011	Fujihara et al.	.....	D13/180
D633,450	S *	3/2011	Fujihara et al.	.....	D13/180
D637,165	S *	5/2011	Kuzuoka	.....	D13/180
2004/0051449	A1 *	3/2004	Klausmann et al.	.....	313/512
2008/0303408	A1 *	12/2008	Yamazaki et al.	.....	313/498
2010/0062574	A1 *	3/2010	Kim et al.	.....	438/158

\* cited by examiner

*Primary Examiner* — Selina Sikder

(74) *Attorney, Agent, or Firm* — Marvin A. Motsenbocker;  
Mots Law, PLLC

(57) **CLAIM**

The ornamental design for an electroluminescence apparatus,  
as shown and described.

**DESCRIPTION**

FIG. 1 is a front perspective view of an electroluminescence  
apparatus;  
FIG. 2 is a rear perspective view thereof;  
FIG. 3 is a front view thereof;  
FIG. 4 is a right side view thereof;  
FIG. 5 is a top plan view thereof;  
FIG. 6 is a rear view thereof;  
FIG. 7 is a bottom plan view thereof; and,  
FIG. 8 is a sectional view thereof taken along line 8-8 of FIG.  
3, in which the internal components are omitted.  
A left side view of the electroluminescence apparatus is a  
mirror image of the right side view, and therefore omitted.

**1 Claim, 8 Drawing Sheets**

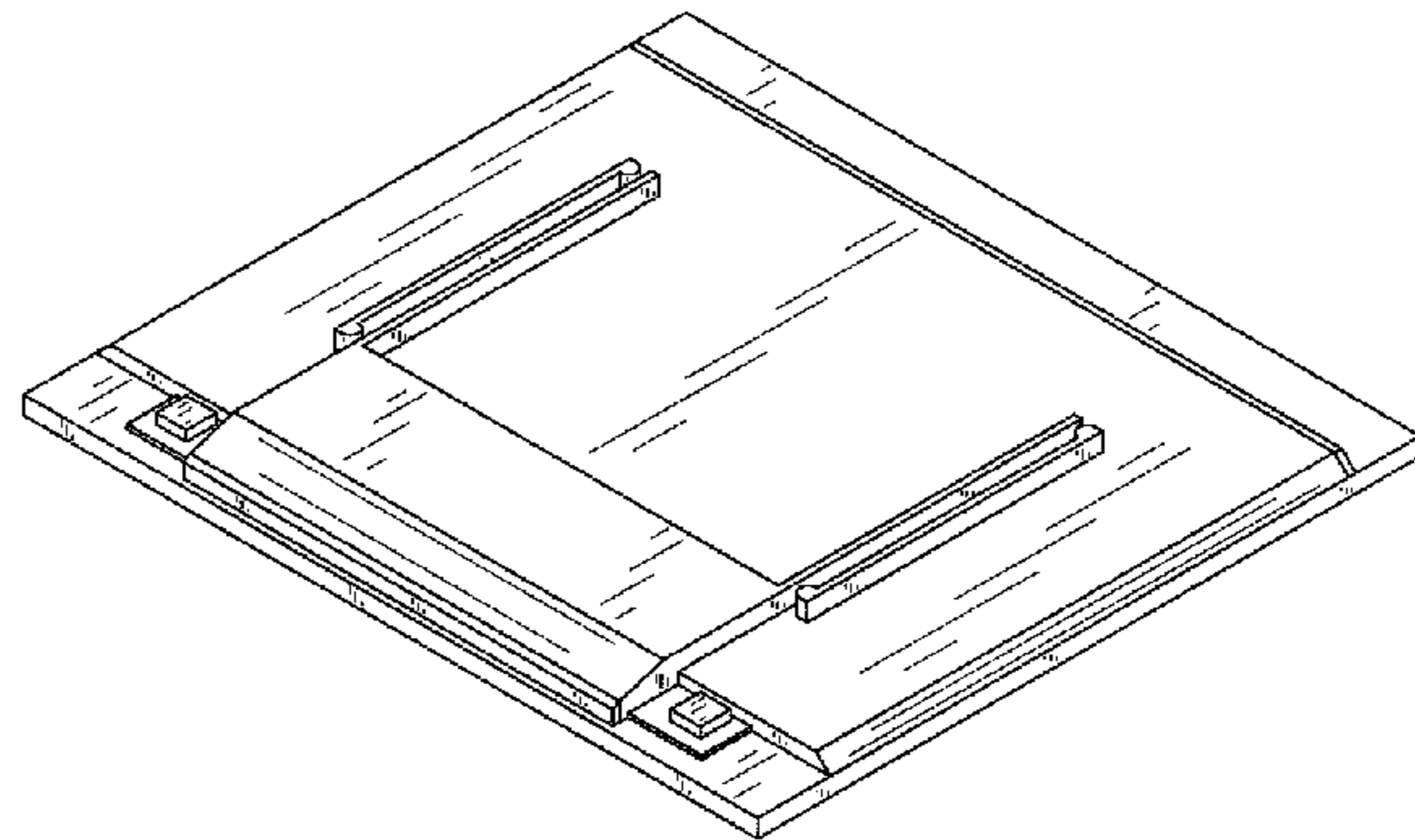
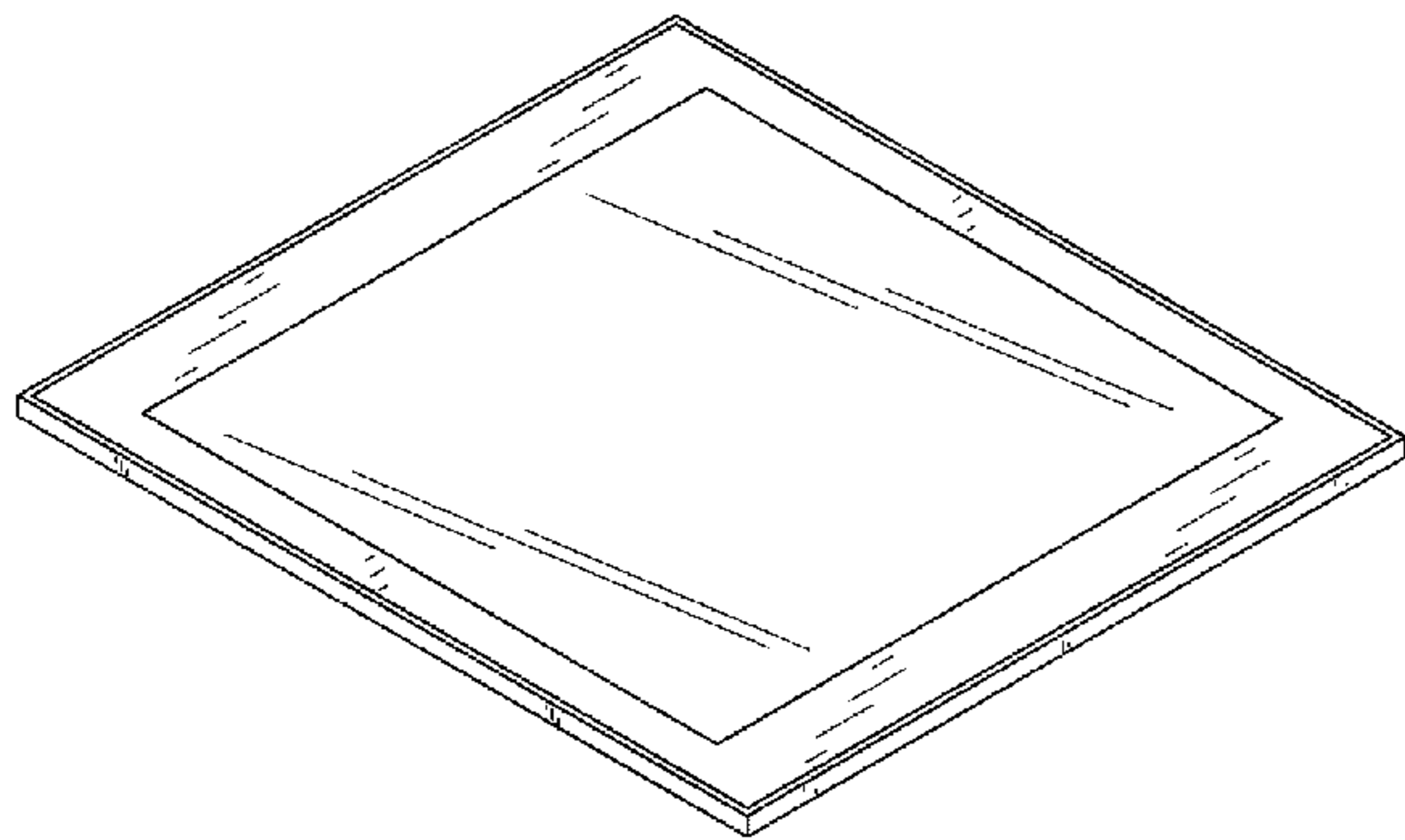


Fig.1

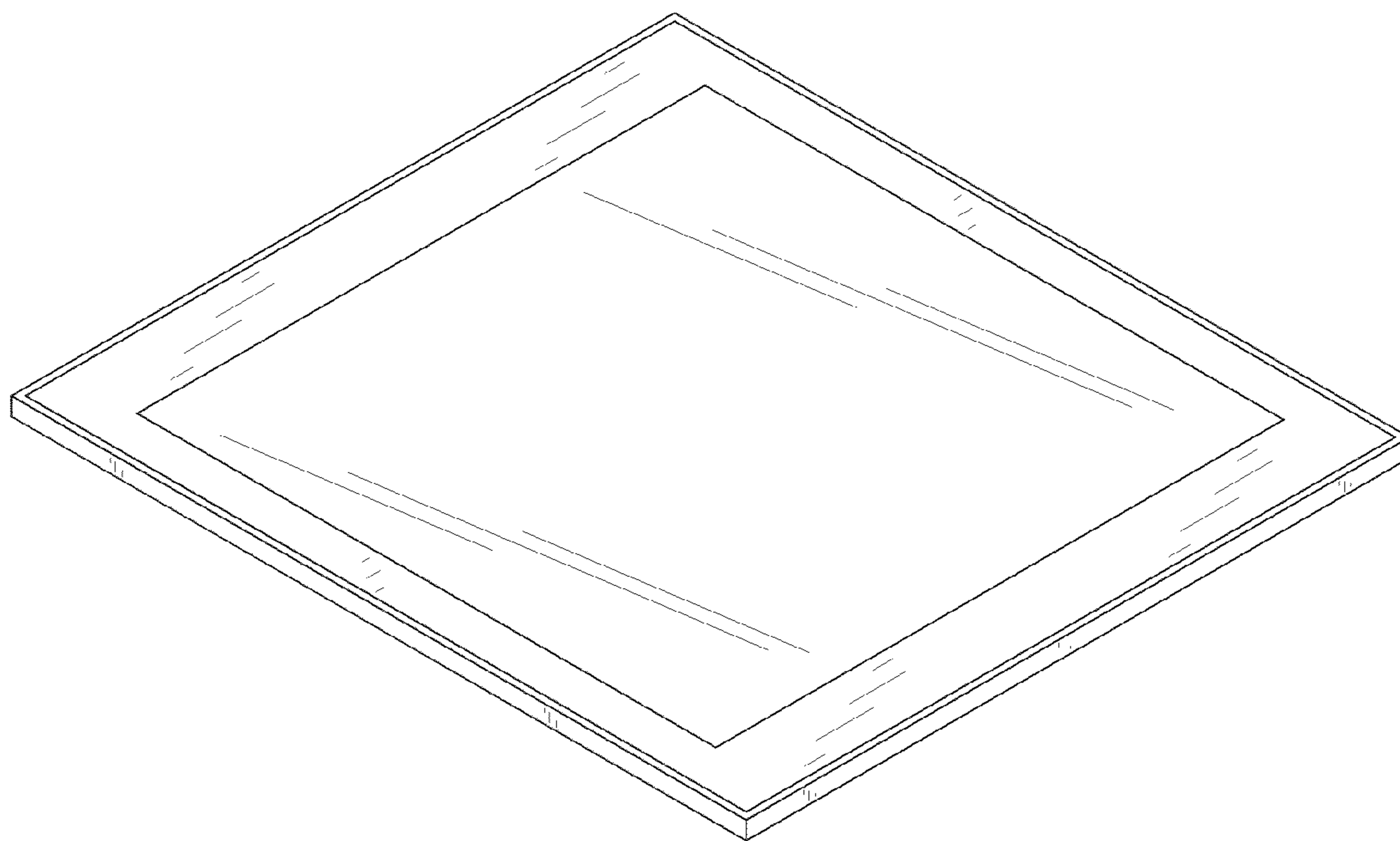


Fig.2

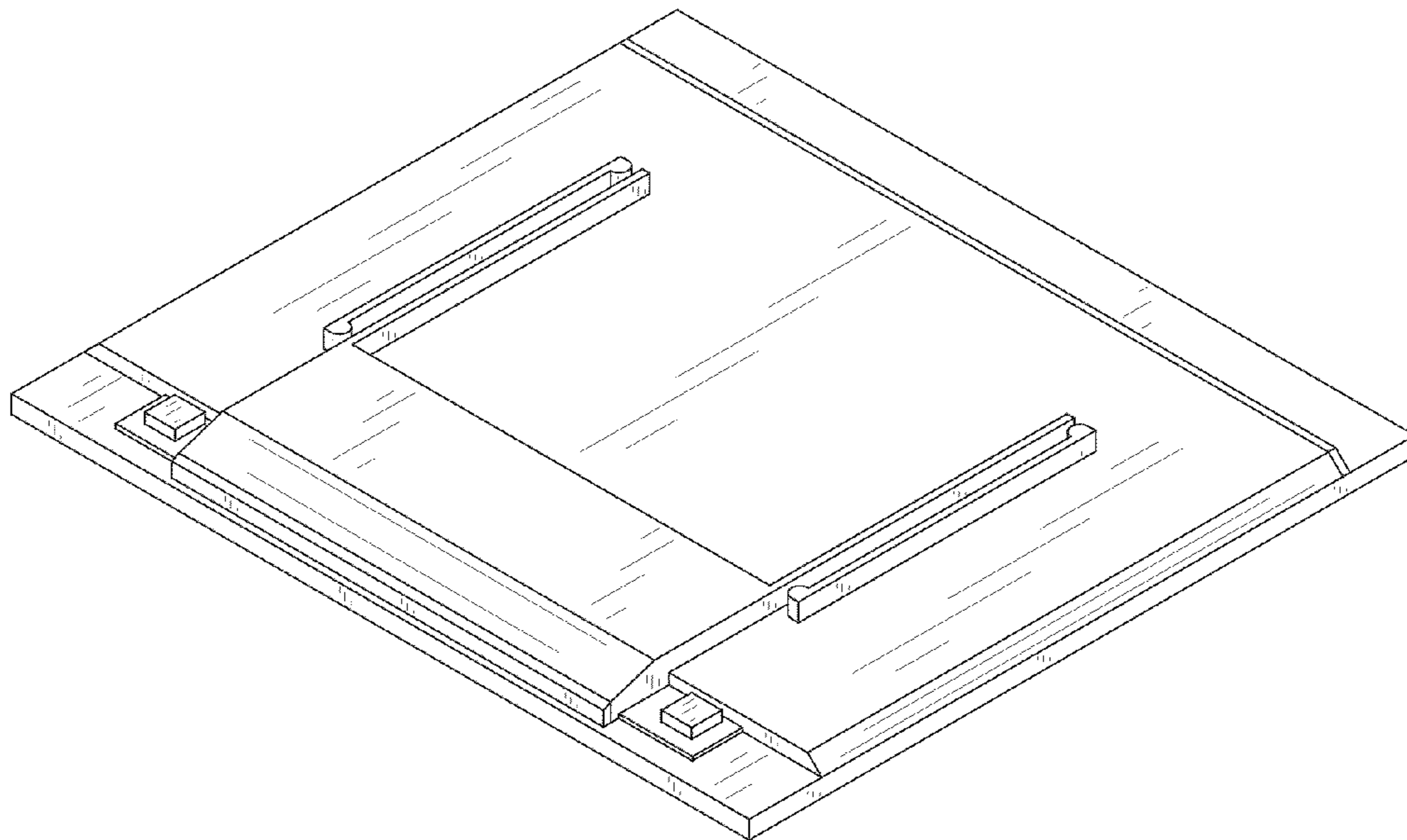
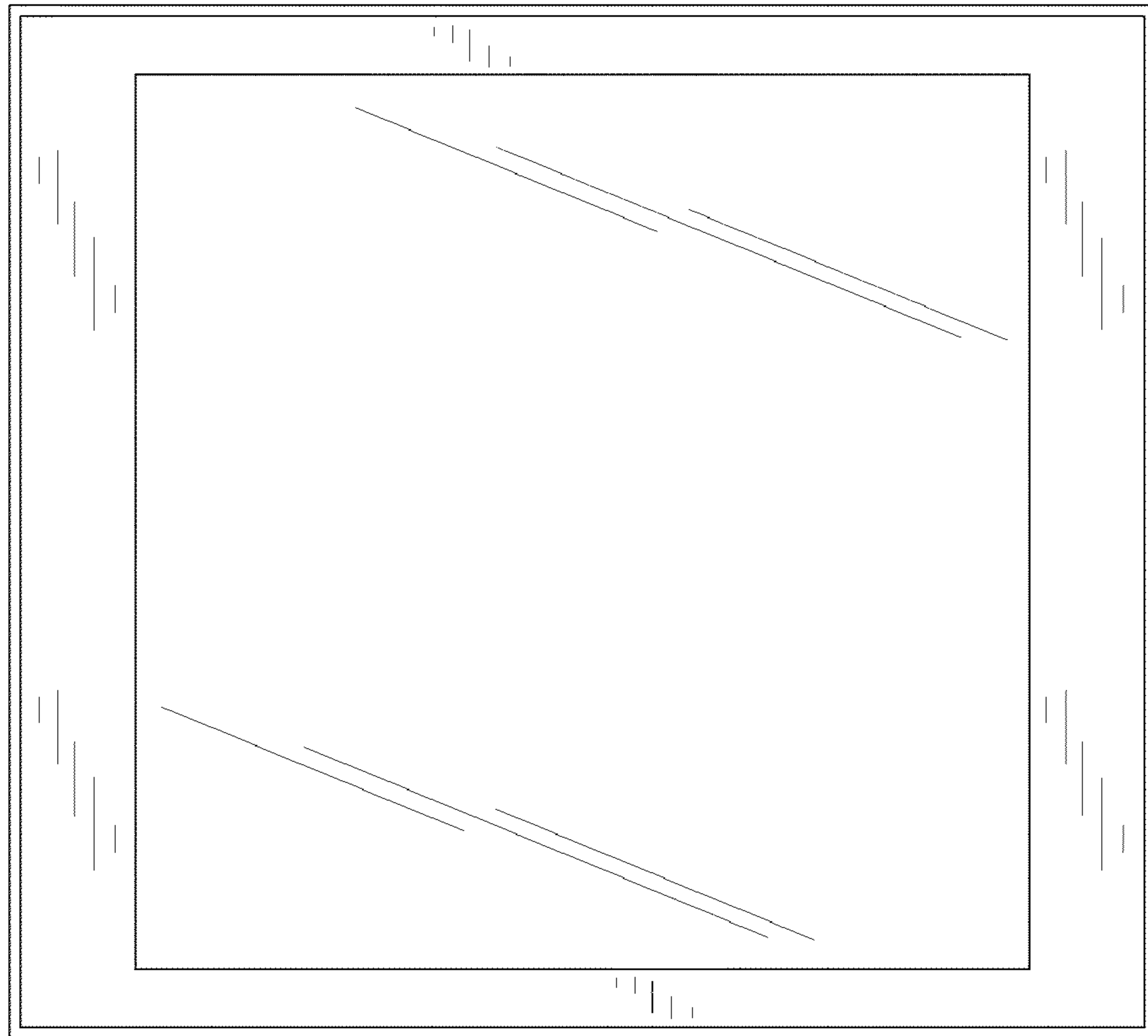


Fig.3

8 ↙



8 ↙

Fig.4

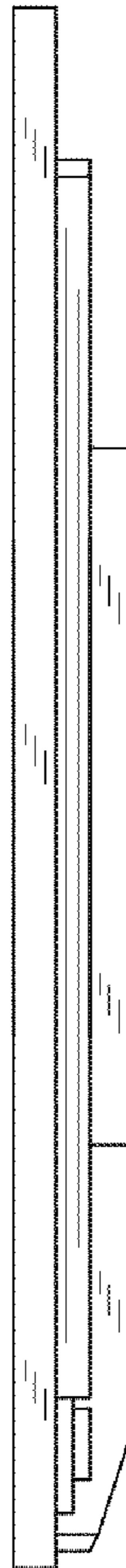


Fig.5

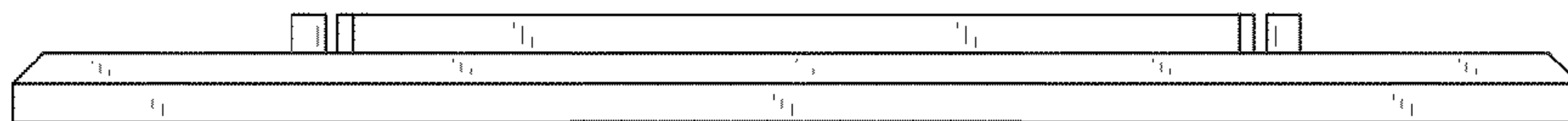


Fig.6

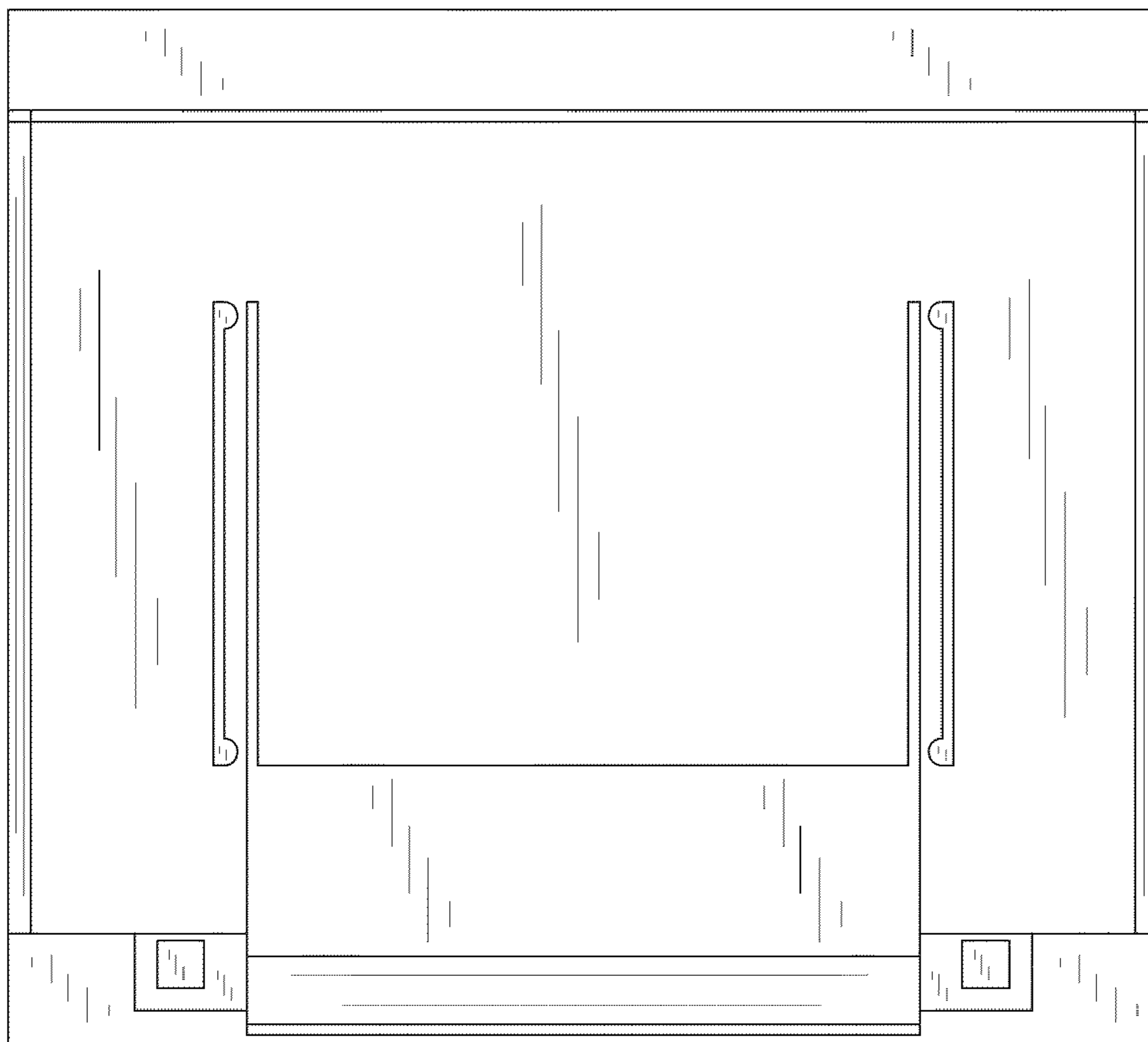


Fig.7





Fig.8

