



US00D642992S

(12) **United States Design Patent**
Sasaki et al.

(10) **Patent No.:** **US D642,992 S**
(45) **Date of Patent:** **** Aug. 9, 2011**

(54) **CONTROLLER FOR POWER CONDITIONER FOR SOLAR ENERGY GENERATION SYSTEM**

(75) Inventors: **Hisae Sasaki**, Osaka (JP); **Takamitsu Morisaki**, Osaka (JP)

(73) Assignee: **Sharp Kabushiki Kaisha**, Osaka (JP)

(**) Term: **14 Years**

(21) Appl. No.: **29/354,785**

(22) Filed: **Jan. 28, 2010**

(30) **Foreign Application Priority Data**

Jul. 28, 2009 (JP) 2009-017085

(51) **LOC (9) Cl.** **13-03**

(52) **U.S. Cl.** **D13/164**

(58) **Field of Classification Search** D13/162, D13/164; D10/49, 50; D14/443; 200/5 R, 200/5 A, 296, 308, 310, 314; 340/500; 341/22, 341/34; 345/156, 173; 361/600, 601, 622, 361/627, 628, 679.01; 700/17, 83; 715/700, 715/810

See application file for complete search history.

(56) **References Cited**

U.S. PATENT DOCUMENTS

D266,669 S	10/1982	Sawada et al.
D307,263 S	4/1990	Ishida
D307,432 S	4/1990	Usami et al.
D307,888 S	5/1990	Ishida
D308,346 S	6/1990	Nakagawa et al.
D310,210 S	8/1990	Ishida
D310,660 S	9/1990	Ishida
D317,447 S	6/1991	Ishida
D329,843 S	9/1992	Ishida
D329,844 S	9/1992	Ishida
D330,889 S	11/1992	Ishida

D331,745 S	12/1992	Miyake et al.
D333,813 S	3/1993	Ishida
D338,668 S	8/1993	Saito et al.
D342,258 S	12/1993	Saito et al.
D342,260 S	12/1993	Sakata
D344,684 S *	3/1994	Metz et al. D10/103
D346,586 S	5/1994	Miyake et al.
D352,717 S	11/1994	Usami et al.
D353,596 S	12/1994	Usami et al.
D380,473 S	7/1997	Otani
D381,960 S *	8/1997	Chandler D13/164
D394,264 S	5/1998	Sakamoto et al.
5,850,333 A *	12/1998	Owanesian et al. 361/704
5,884,772 A *	3/1999	Floyd et al. 206/701
D458,920 S	6/2002	Kita
D459,341 S	6/2002	Saeki et al.
D464,328 S *	10/2002	Vasquez et al. D13/164
6,678,482 B2	1/2004	Masuda et al.
D512,691 S *	12/2005	Hisatsune D13/164
D524,296 S	7/2006	Kita
D553,347 S *	10/2007	Cooney D13/164

* cited by examiner

Primary Examiner — Selina Sikder

(74) *Attorney, Agent, or Firm* — Nixon & Vanderhye, P.C.

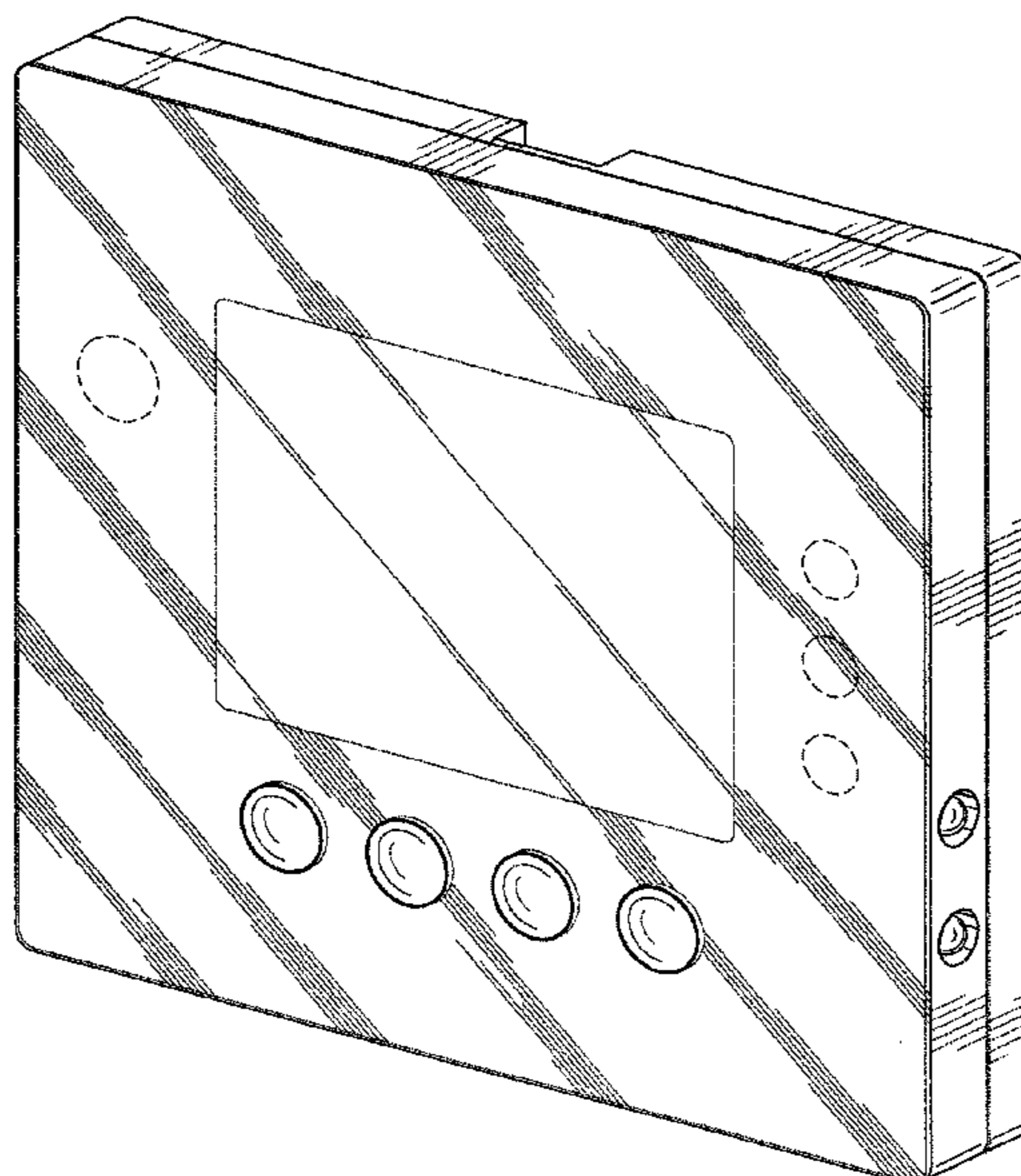
(57) **CLAIM**

The ornamental design for “controller for power conditioner for solar energy generation system,” as shown and described.

DESCRIPTION

FIG. 1 is front perspective view of the controller in accordance with our new design;
FIG. 2 is a front elevation view thereof;
FIG. 3 is a rear elevation view thereof;
FIG. 4 is a top plan view thereof;
FIG. 5 is a bottom plan view thereof;
FIG. 6 is a right side view thereof; and,
FIG. 7 is a left side view thereof.
Subject matter shown in dotted lines forms no part of the claimed invention.

1 Claim, 5 Drawing Sheets



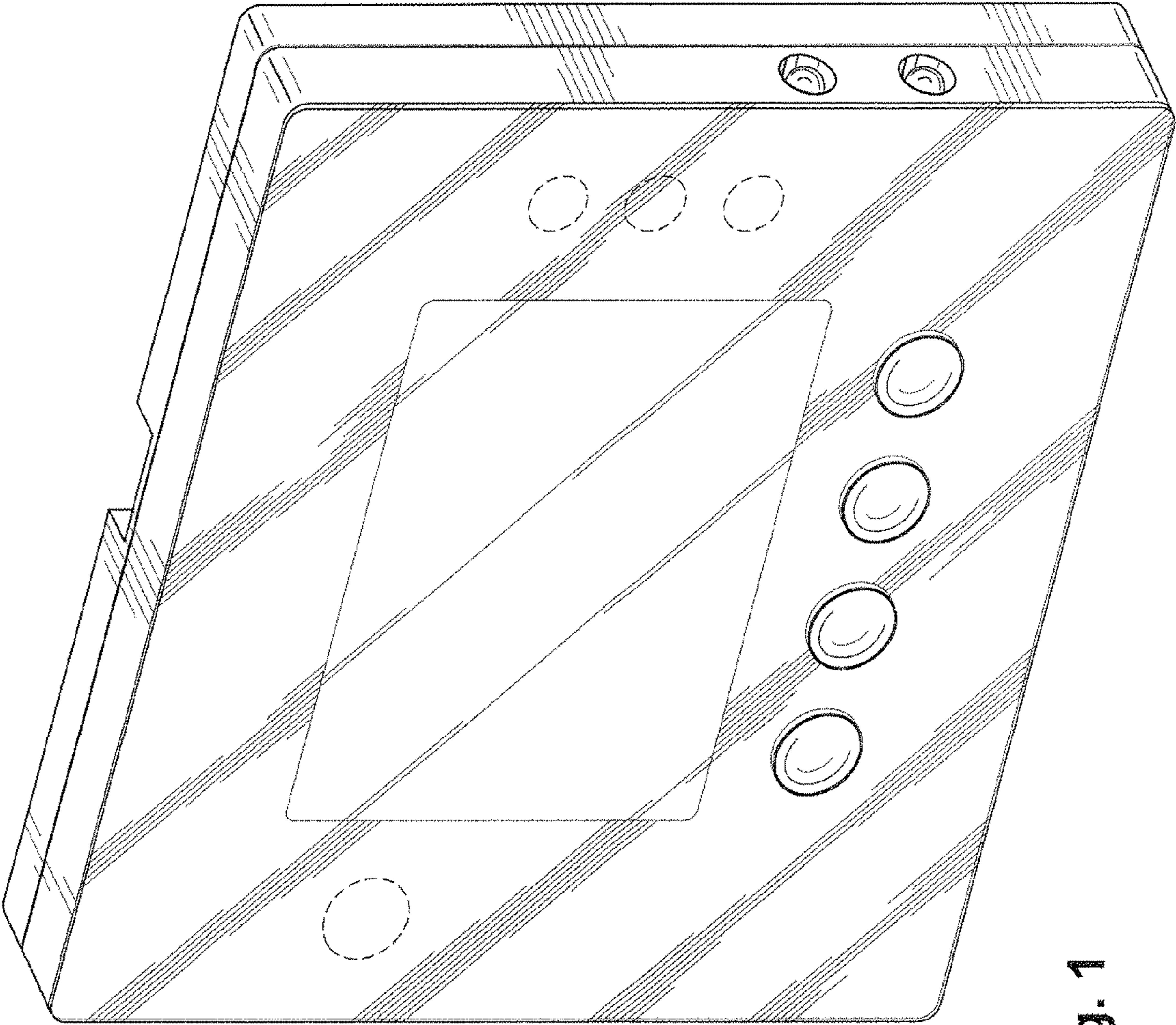


Fig. 1

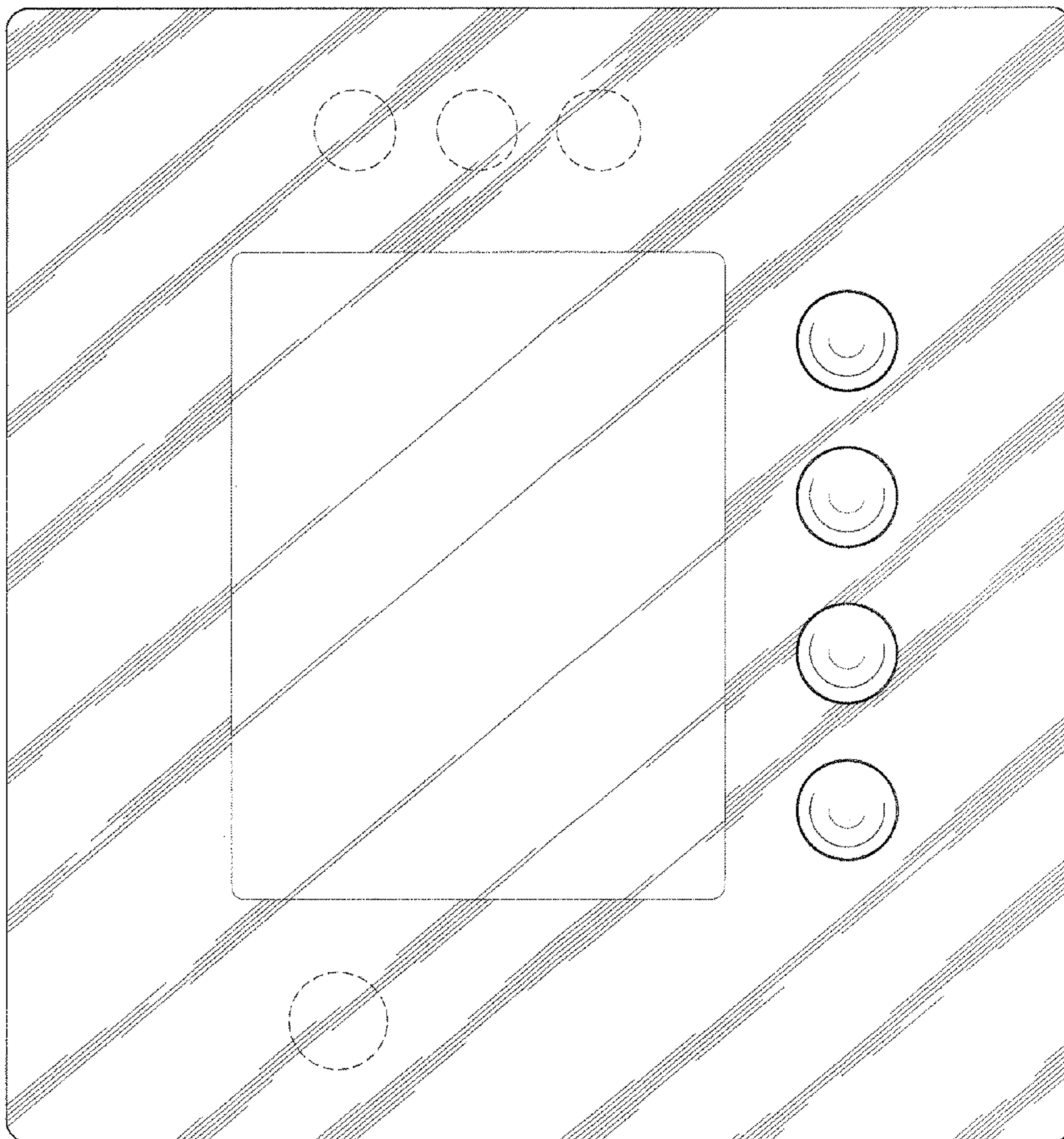
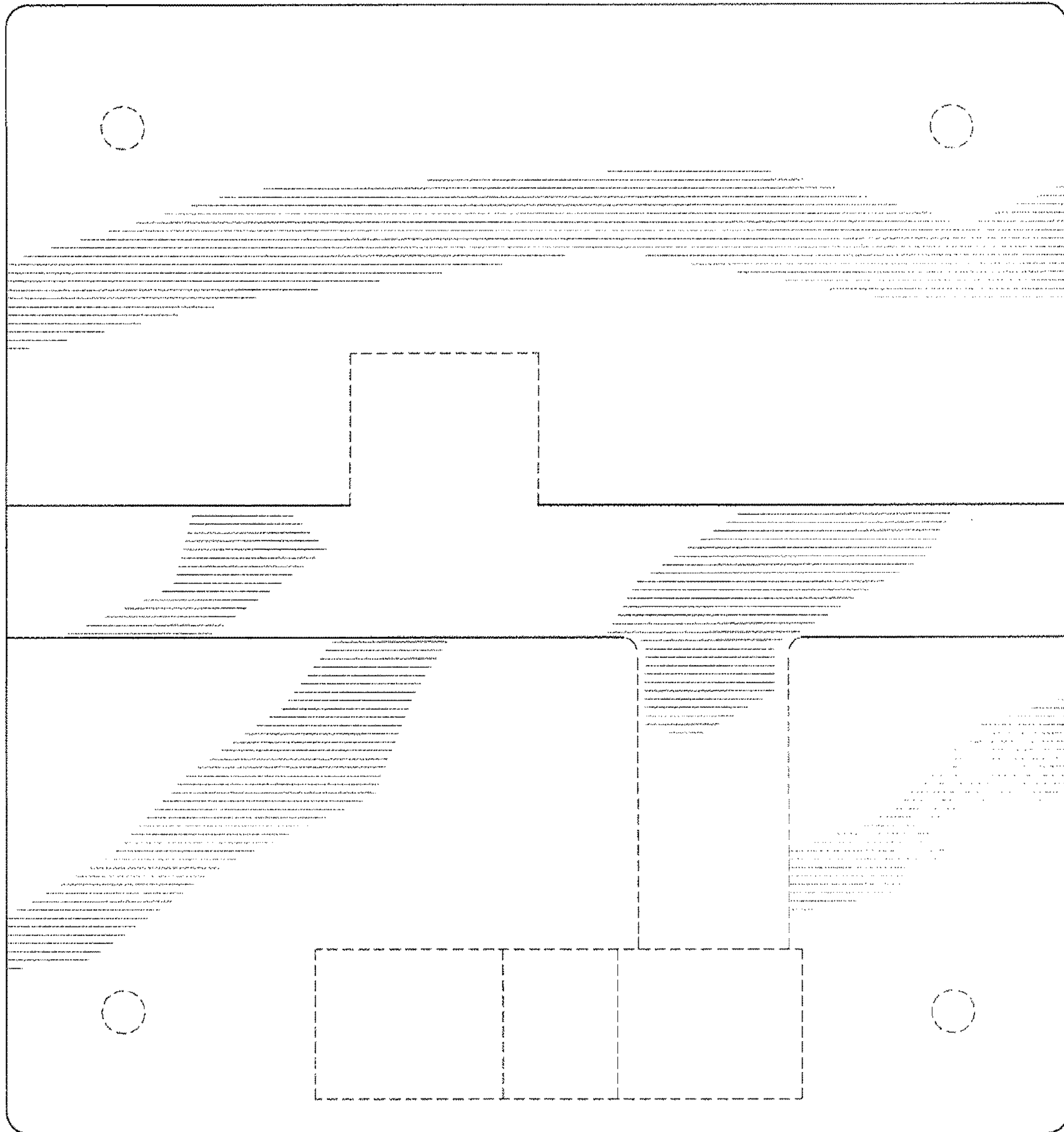


Fig. 2

Fig. 3



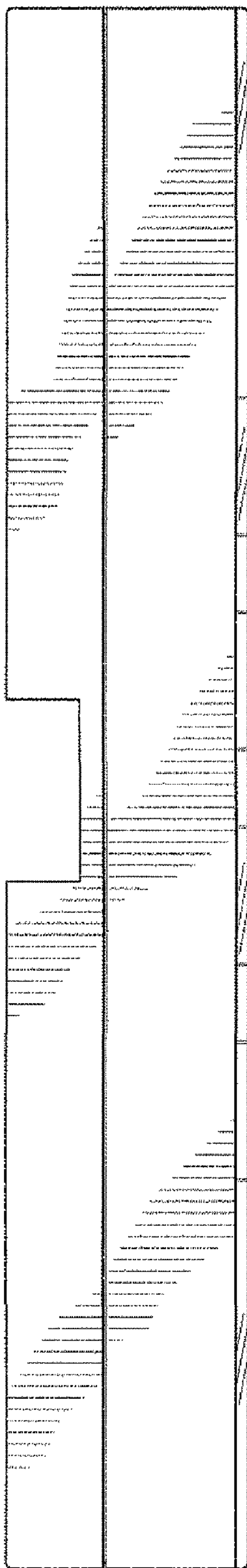


Fig. 4

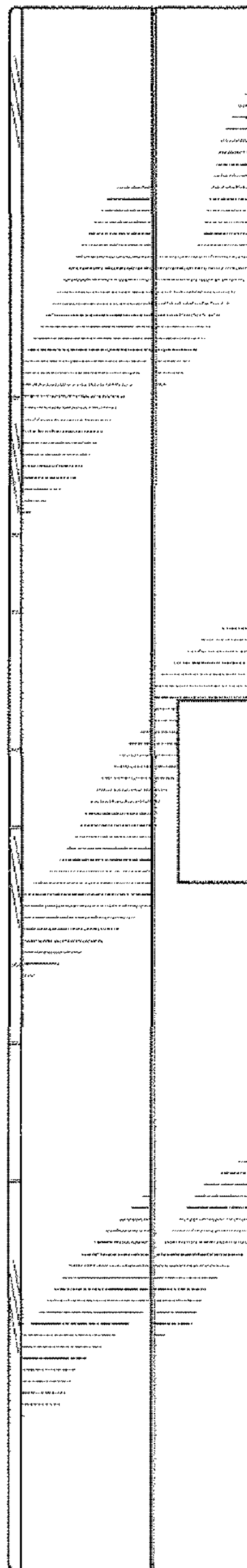


Fig. 5

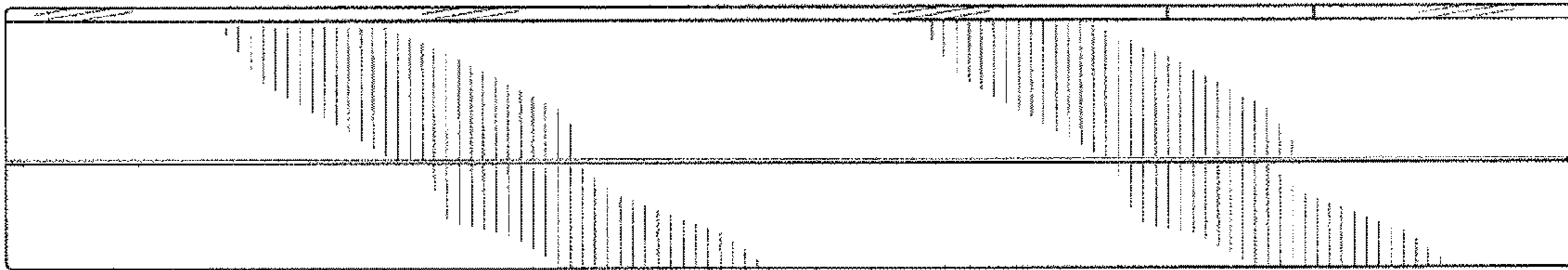


Fig. 7

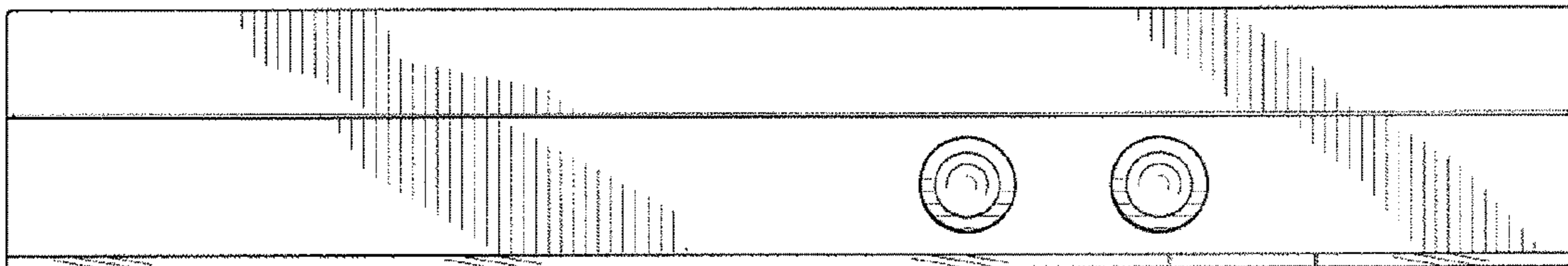


Fig. 6