



US00D642990S

(12) **United States Design Patent**  
**Montena et al.**

(10) **Patent No.:** **US D642,990 S**

(45) **Date of Patent:** **\*\* Aug. 9, 2011**

- (54) **SEALING BOOT SPLICE ADAPTER**
- (75) Inventors: **Noah Montena**, Syracuse, NY (US);  
**Chris Natoli**, Fulton, NY (US)
- (73) Assignee: **John Mezzalingua Associates, Inc.**,  
East Syracuse, NY (US)
- (\*\*) Term: **14 Years**
- (21) Appl. No.: **29/387,881**
- (22) Filed: **Mar. 19, 2011**

**Related U.S. Application Data**

- (60) Division of application No. 29/376,585, filed on Oct. 8, 2010, which is a continuation of application No. 12/760,134, filed on Apr. 14, 2010.
- (51) **LOC (9) Cl.** ..... **13-03**
- (52) **U.S. Cl.** ..... **D13/156**
- (58) **Field of Classification Search** ..... D13/133,  
D13/153, 154, 156, 184; 439/271, 275, 277,  
439/278, 279, 281, 283, 445, 447, 578, 583,  
439/584, 927

See application file for complete search history.

(56) **References Cited**

**U.S. PATENT DOCUMENTS**

2,881,406 A	4/1959	Arson	
D188,102 S	6/1960	Yarick, Jr.	
2,946,839 A	7/1960	Horning	
D206,662 S	1/1967	Karol	
3,366,917 A *	1/1968	Karol	439/447
3,390,375 A	6/1968	Salmonson	
3,518,600 A *	6/1970	Angelo	337/201
3,528,051 A	9/1970	Toedtman et al.	
3,713,077 A	1/1973	Leonard	
3,753,192 A	8/1973	Urani	
D231,534 S	4/1974	Carder	
3,861,777 A	1/1975	Clark	
4,173,385 A	11/1979	Fenn et al.	
4,224,464 A	9/1980	Bunnell et al.	
4,283,597 A	8/1981	Cooper, Jr.	

4,323,727 A *	4/1982	Berg	174/135
4,325,600 A	4/1982	Nestor	
4,593,962 A	6/1986	Knorreck et al.	
4,822,293 A	4/1989	Robson	
4,998,894 A	3/1991	Gronvall	
D322,954 S	1/1992	Avramovich	
D328,279 S *	7/1992	Couto et al.	D13/133
5,132,495 A	7/1992	Ewing et al.	
D331,567 S *	12/1992	Braga et al.	D13/156
5,299,951 A	4/1994	Blaetz	
5,502,280 A	3/1996	Rocci et al.	
5,564,951 A	10/1996	Attal et al.	
5,816,853 A	10/1998	Buekers et al.	
5,844,171 A	12/1998	Fitzgerald	
5,857,865 A	1/1999	Shimirak et al.	
D407,378 S *	3/1999	Lee	D13/156
D411,508 S *	6/1999	Spillyards	D13/118
D432,993 S *	10/2000	Palinkas	D13/154
6,162,087 A	12/2000	Hiura	

(Continued)

*Primary Examiner* — Daniel Bui

(74) *Attorney, Agent, or Firm* — Stephen R. Yoder, Esq.

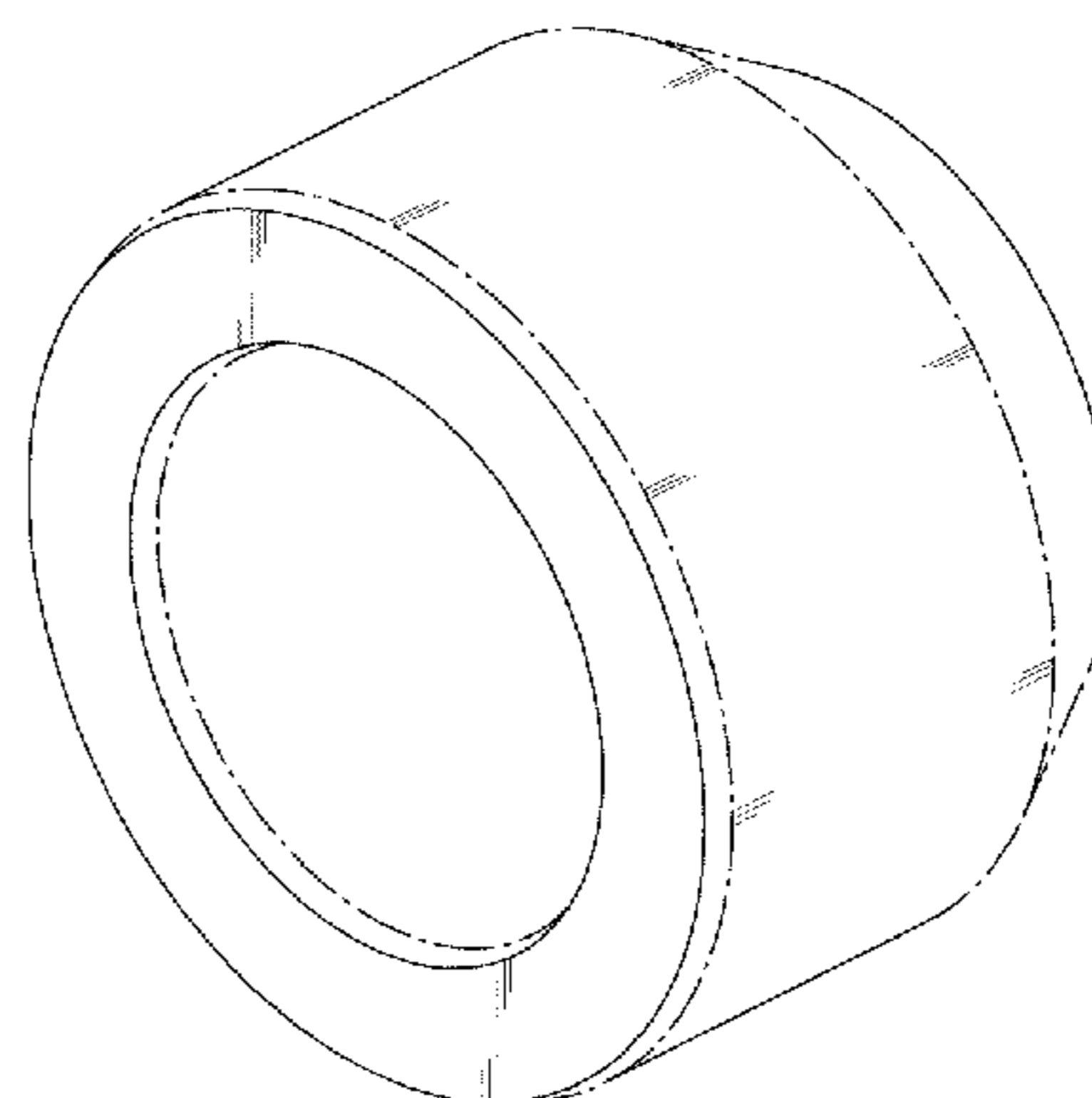
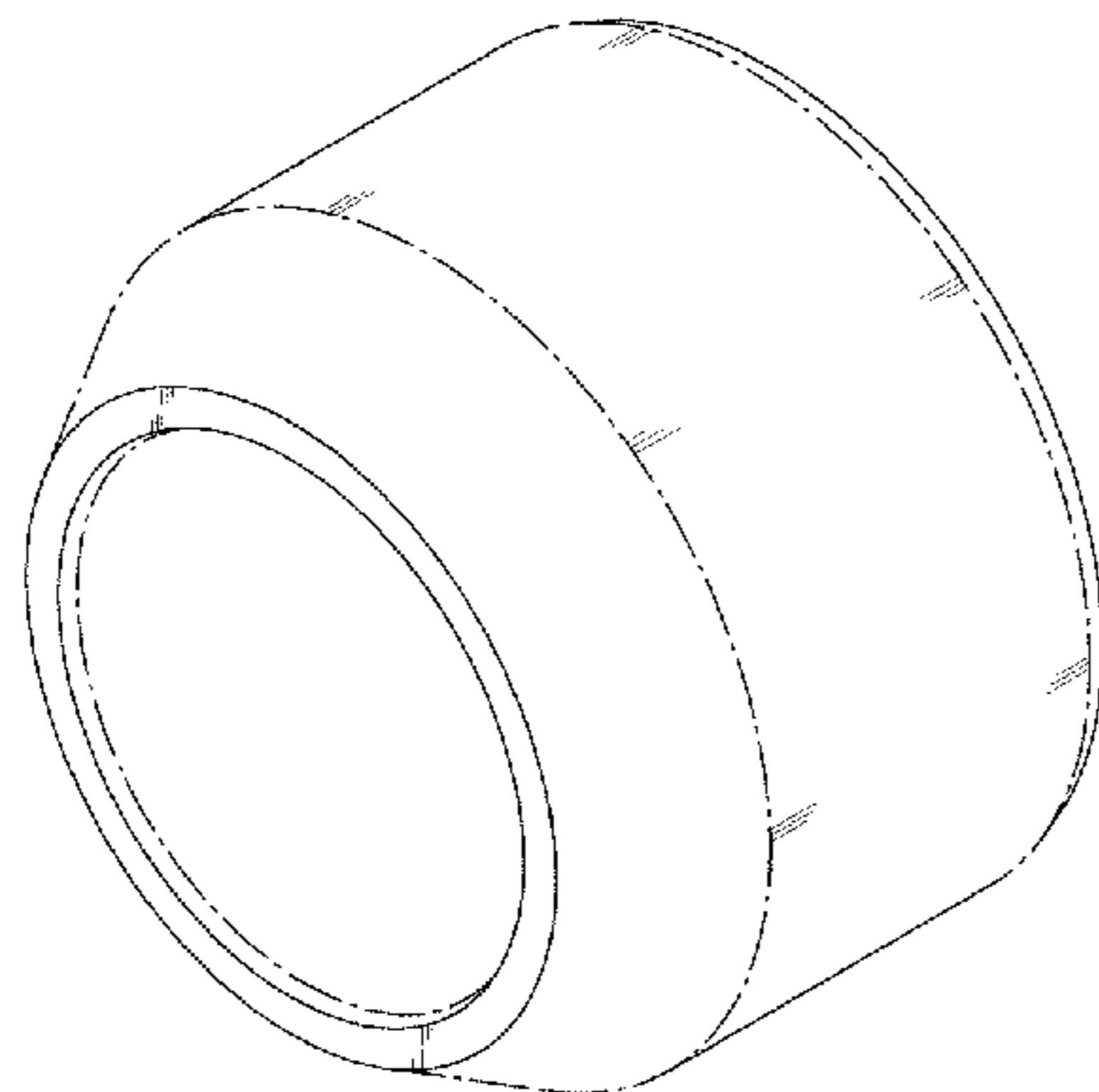
(57) **CLAIM**

The ornamental design for a sealing boot splice adapter, as shown and described.

**DESCRIPTION**

FIG. 1 is a front perspective view of a sealing boot splice adapter showing our new design;  
 FIG. 2 is a back perspective view thereof;  
 FIG. 3 is a top plan view thereof, the bottom plan view, the right and left side elevation views being a mirror image thereto;  
 FIG. 4 is a front elevation view thereof;  
 FIG. 5 is a back elevation view thereof;  
 FIG. 6 is a back perspective view thereof, in use condition; and,  
 FIG. 7 is a front perspective view thereof.  
 The broken line portion of the figure drawings is included for the purpose of illustrating environment and forms no part of the claimed design.

**1 Claim, 3 Drawing Sheets**



# US D642,990 S

Page 2

## U.S. PATENT DOCUMENTS

6,273,733	B1	8/2001	Uchiyama	7,402,063	B2	7/2008	Montena	
D456,363	S	4/2002	Lee	D575,744	S *	8/2008	Amidon	D13/156
D458,351	S	6/2002	Chen	D584,228	S	1/2009	Strickland, Jr.	
6,558,180	B2	5/2003	Nishimoto	D586,757	S	2/2009	Minnick	
D496,000	S	9/2004	Cornell	D597,947	S	8/2009	Ono	
D500,475	S	1/2005	Noro et al.	D601,090	S	9/2009	Vigorito et al.	
D504,113	S	4/2005	Montena	D605,595	S	12/2009	Thomas	
6,929,265	B2	8/2005	Holland et al.	7,727,011	B2 *	6/2010	Montena et al.	439/578
6,942,520	B2	9/2005	Barlian et al.	D631,848	S *	2/2011	Montena et al.	D13/154
D512,023	S	11/2005	Bachmann	2006/0035508	A1	2/2006	Stekelenburg	
7,001,202	B2	2/2006	Robbins	2006/0240709	A1 *	10/2006	Montena et al.	439/578
7,179,100	B2	2/2007	Montena	2006/0286862	A1	12/2006	Lubinsky et al.	
7,186,127	B2	3/2007	Montena	2010/0248533	A1	9/2010	Montena	
7,216,426	B2	5/2007	Borgstrom et al.	2010/0323541	A1 *	12/2010	Amidon et al.	439/133
D549,178	S	8/2007	Amidon					

\* cited by examiner

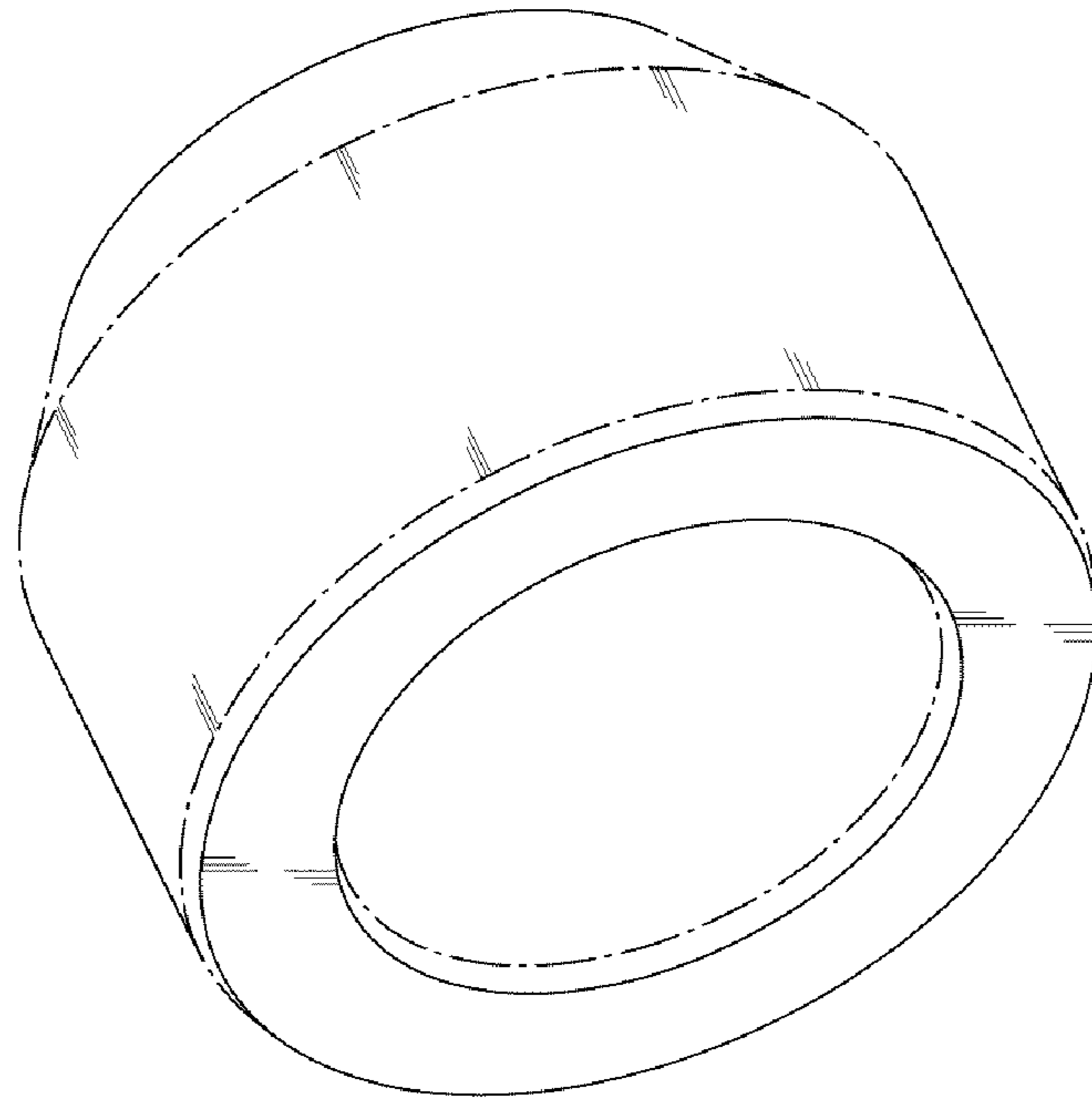


FIG. 2

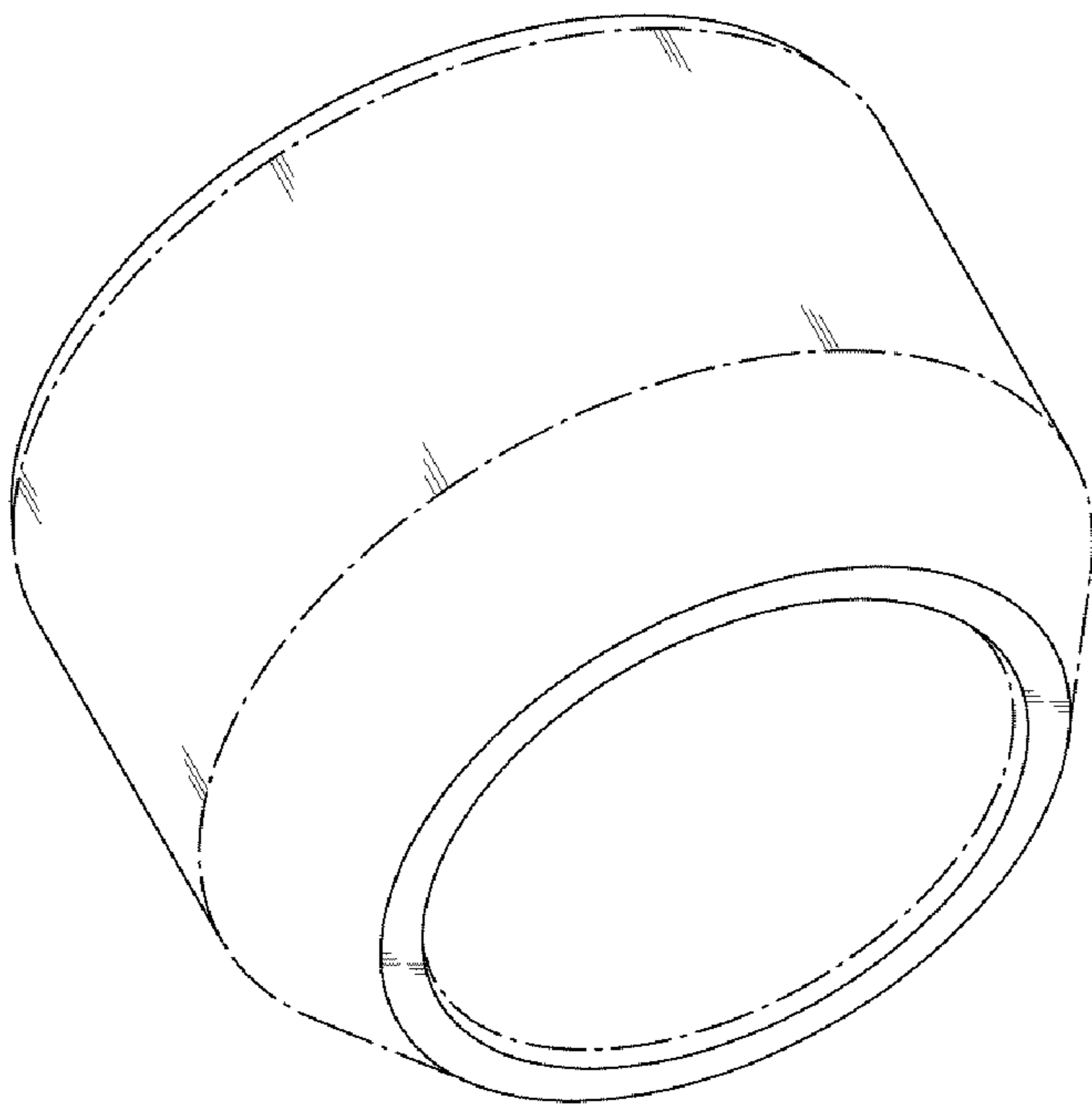


FIG. 1

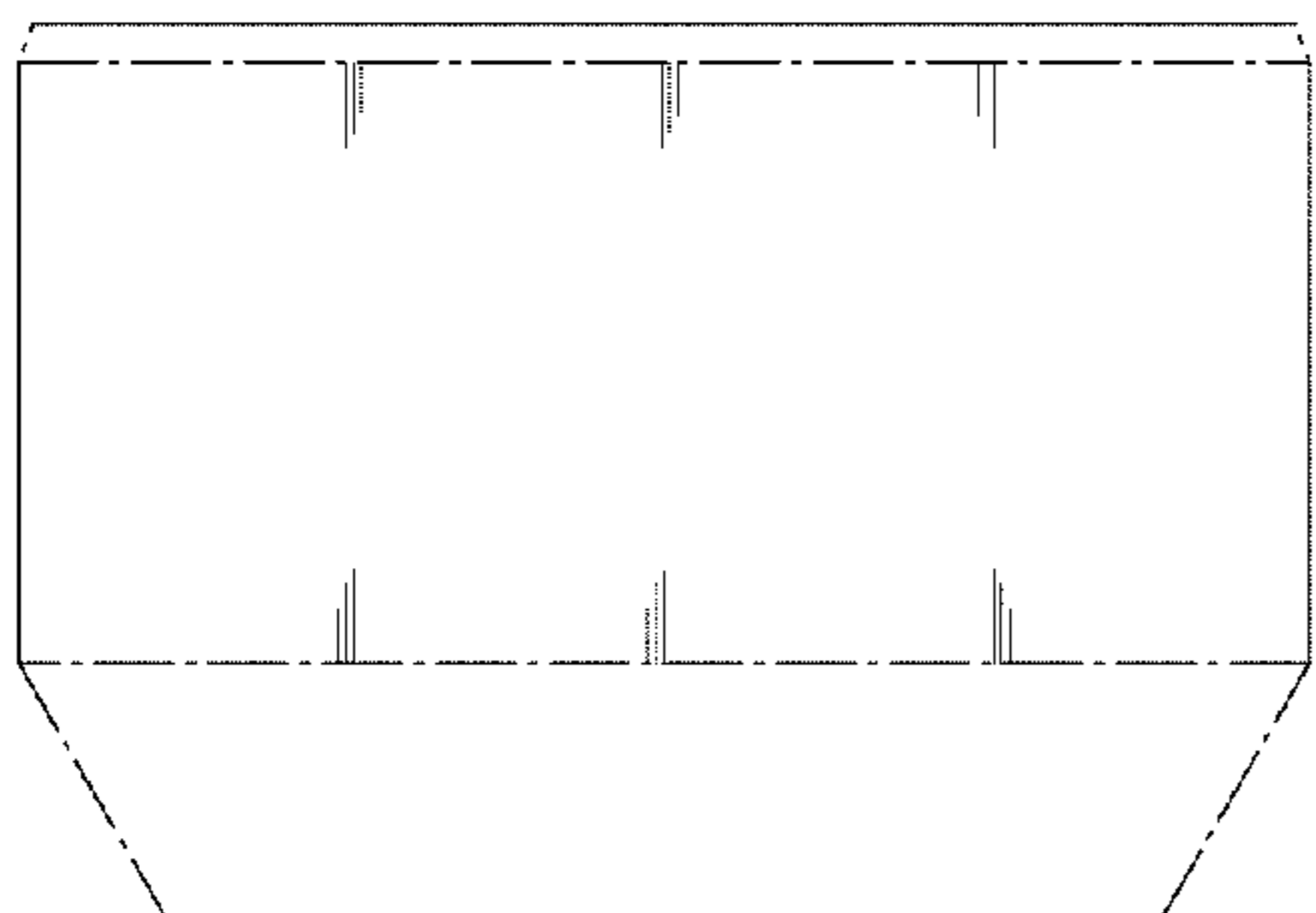


FIG. 3

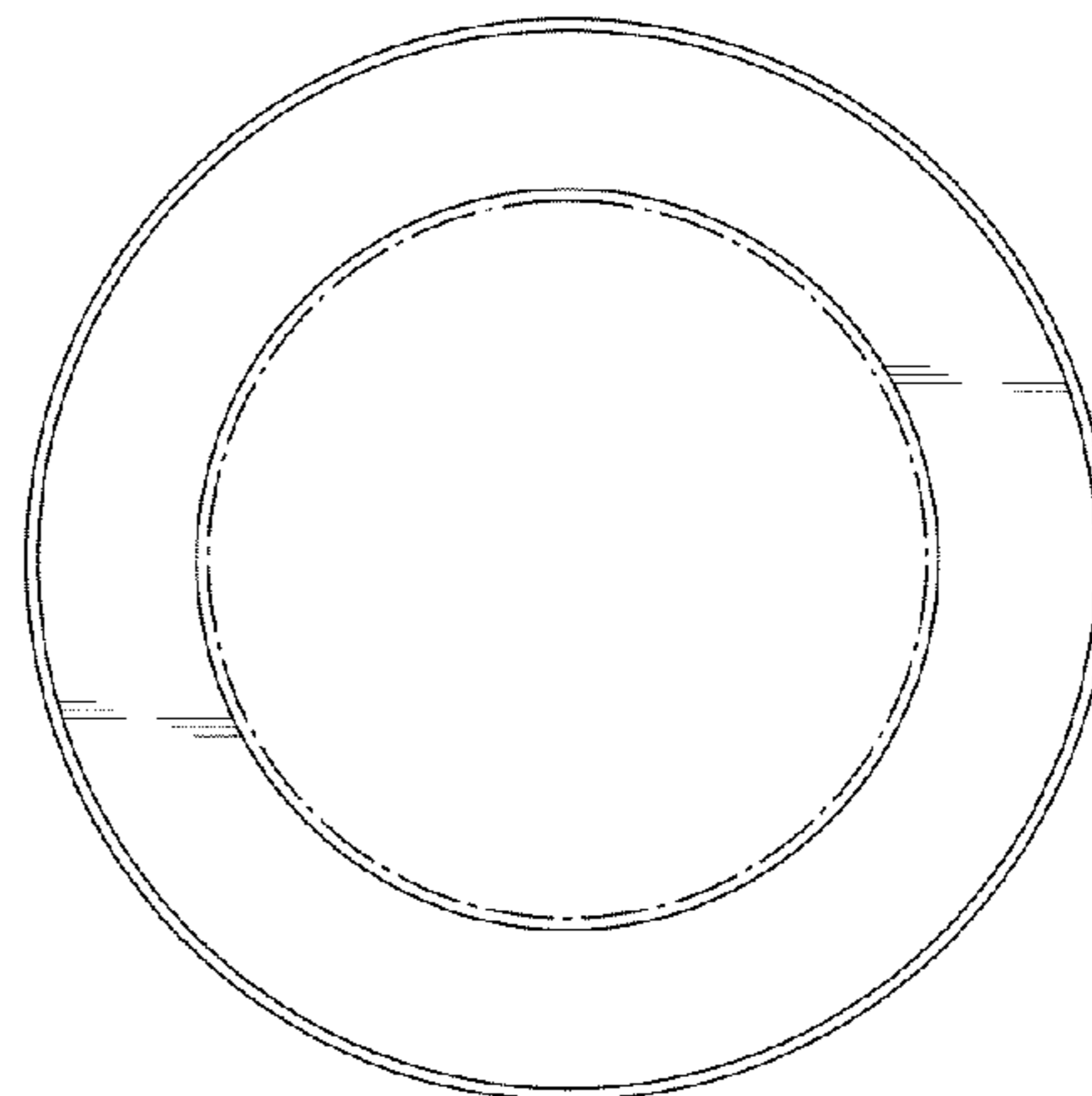


FIG. 5

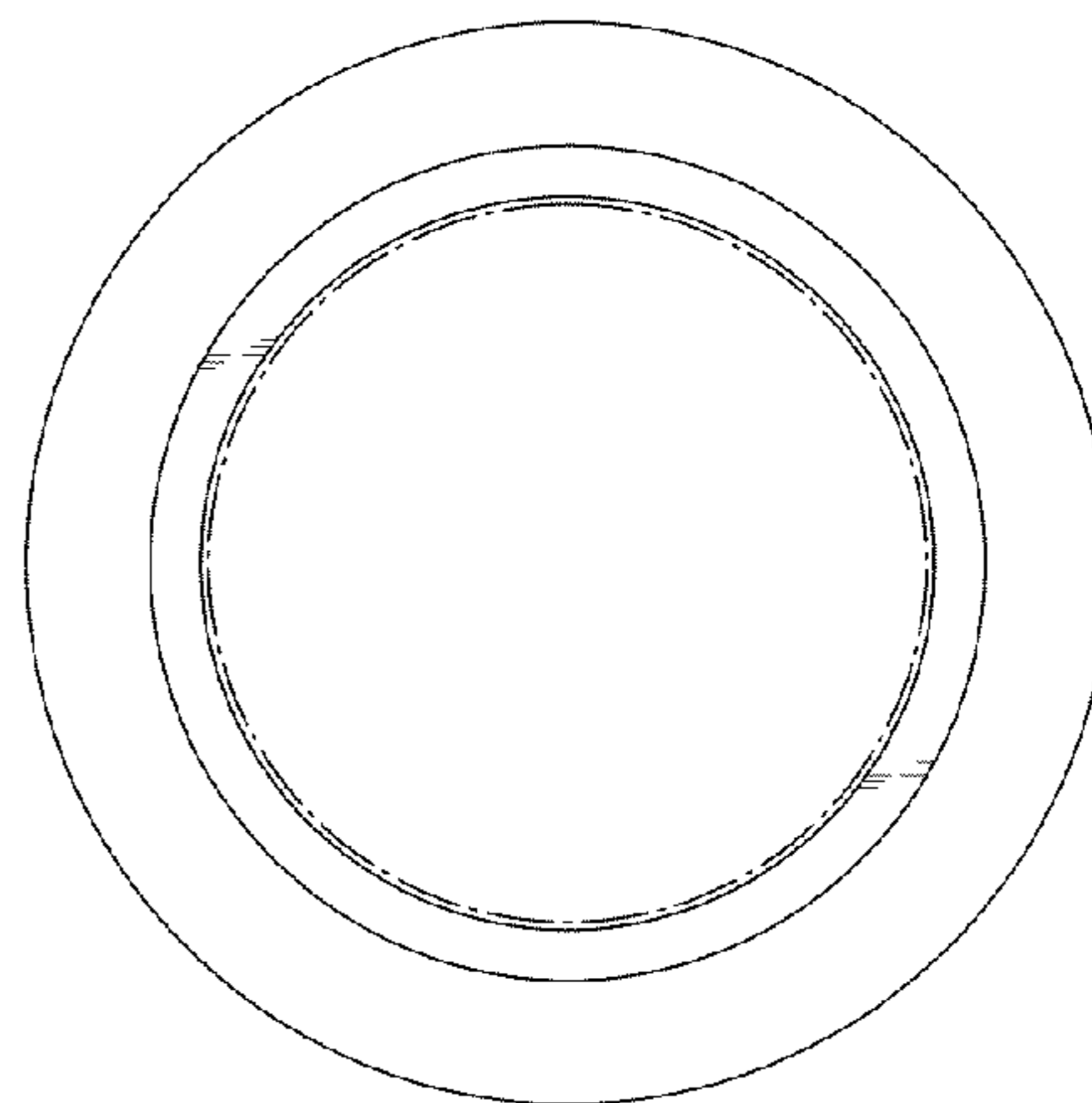


FIG. 4

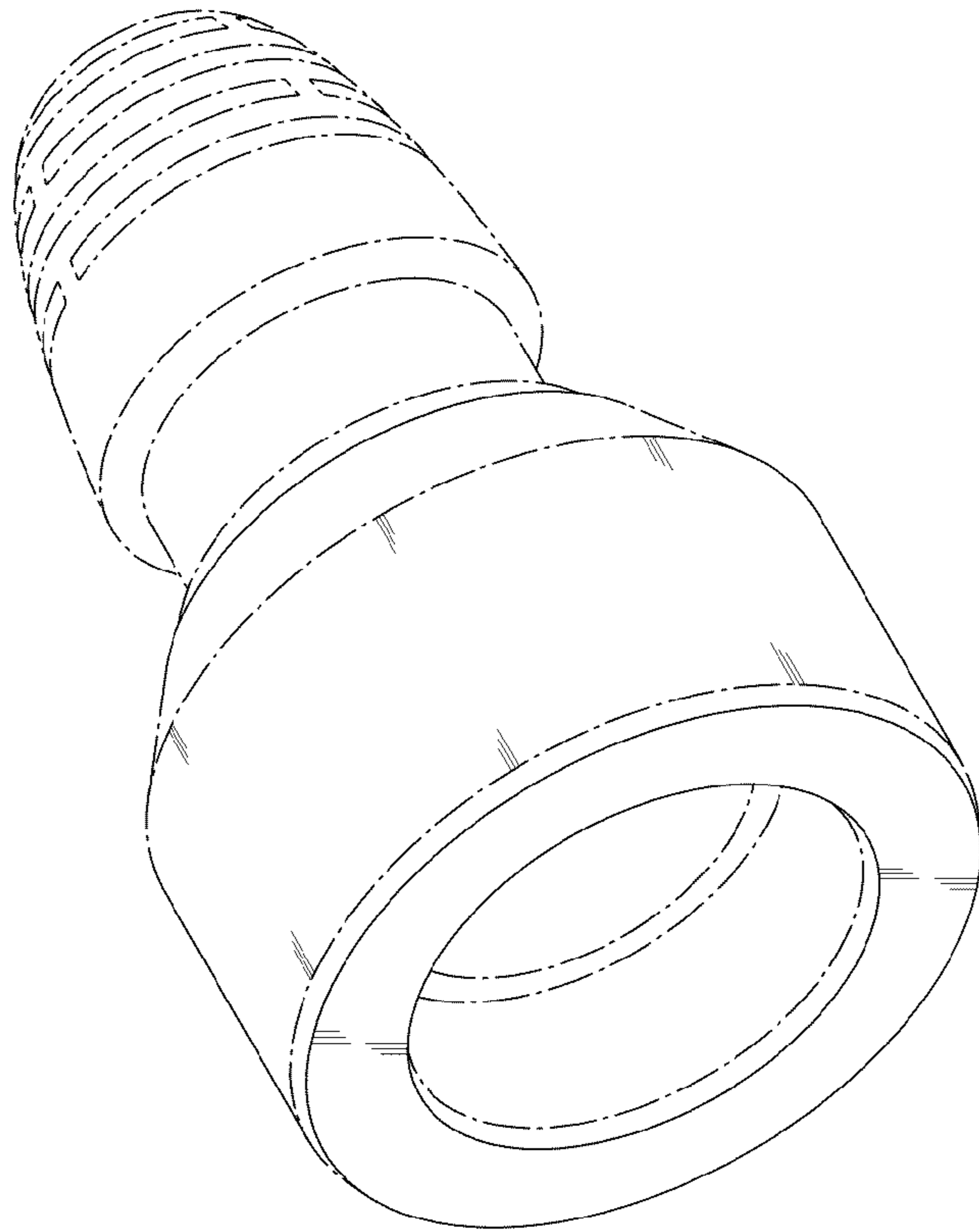


FIG. 6

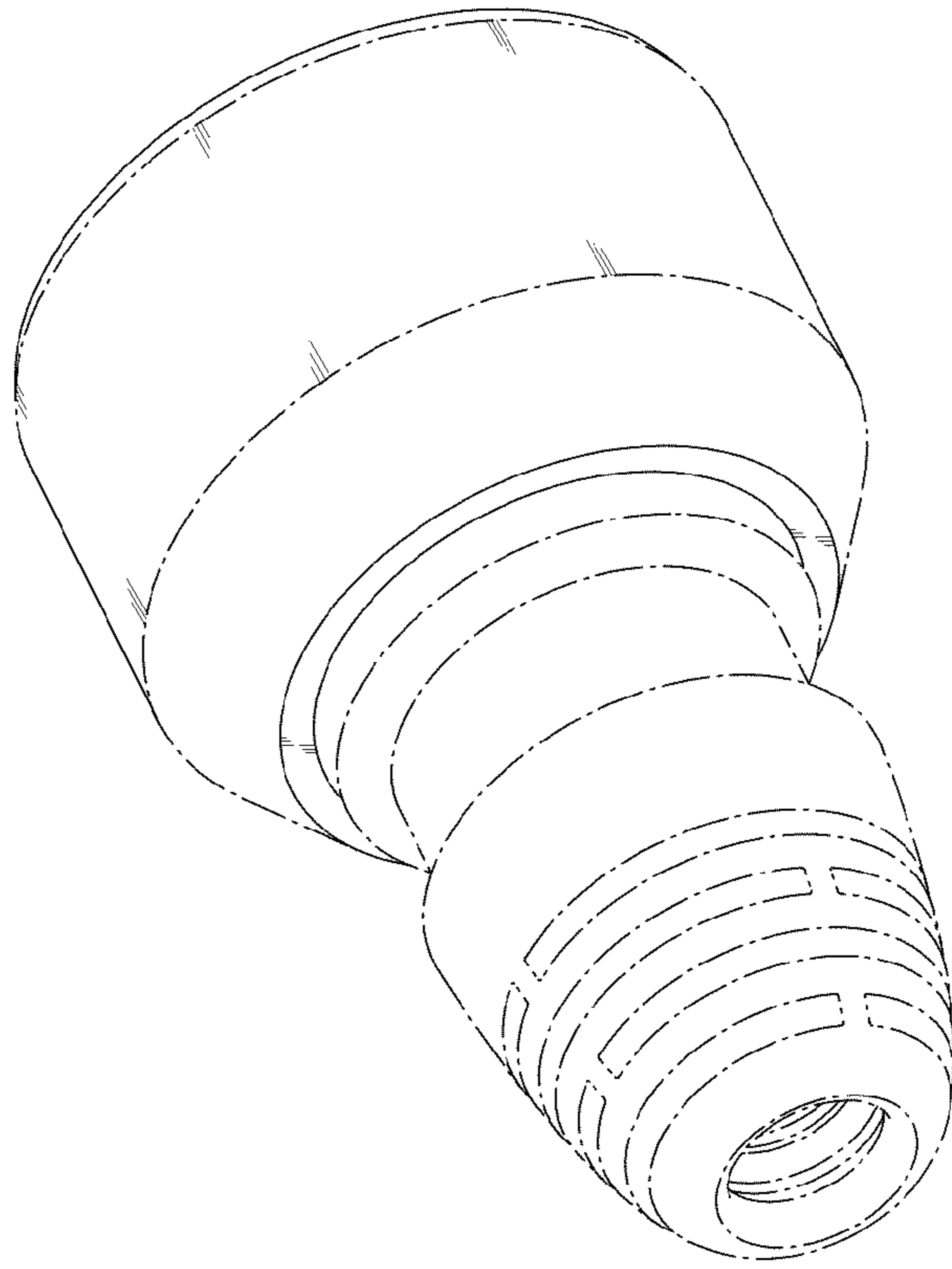


FIG. 7