



US00D642989S

(12) **United States Design Patent**
Montena et al.

(10) **Patent No.:** **US D642,989 S**

(45) **Date of Patent:** **** Aug. 9, 2011**

(54) **WEATHER PROOFING SYSTEM FOR COAXIAL CABLE CONNECTORS**

(75) Inventors: **Noah Montena**, Syracuse, NY (US);
Chris Natoli, Fulton, NY (US)

(73) Assignee: **John Mezzalingua Associates, Inc.**,
East Syracuse, NY (US)

(**) Term: **14 Years**

(21) Appl. No.: **29/381,622**

(22) Filed: **Dec. 21, 2010**

Related U.S. Application Data

(63) Continuation of application No. 29/376,600, filed on Oct. 8, 2010, now Pat. No. Des. 631,848, which is a continuation of application No. 12/760,134, filed on Apr. 14, 2010.

(51) **LOC (9) Cl.** **13-03**

(52) **U.S. Cl.** **D13/156**

(58) **Field of Classification Search** D13/133,
D13/146-147, 154, 156, 184, 199; 439/271,
439/275, 277, 278, 279, 281, 283, 445, 447,
439/578, 583, 584, 927

See application file for complete search history.

(56) **References Cited**

U.S. PATENT DOCUMENTS

2,881,406 A	4/1959	Arson	
D188,102 S	6/1960	Yarick, Jr.	
2,946,839 A	7/1960	Horning	
D206,662 S	1/1967	Karol	
3,390,375 A	6/1968	Salmonson	
3,518,600 A *	6/1970	Urani	337/201
3,528,051 A	9/1970	Toedtman et al.	
3,713,077 A	1/1973	Leonard	
3,753,192 A	8/1973	Urani	
D231,534 S	4/1974	Carder	
3,861,777 A	1/1975	Clark	
4,173,385 A	11/1979	Fenn et al.	

4,224,464 A	9/1980	Bunnell et al.	
4,283,597 A	8/1981	Cooper, Jr.	
4,323,727 A *	4/1982	Berg	174/135
4,325,600 A	4/1982	Nestor	
4,593,962 A	6/1986	Knorreck et al.	
4,822,293 A	4/1989	Robson	
4,998,894 A	3/1991	Gronvall	
D322,954 S	1/1992	Avramovich	
D328,279 S *	7/1992	Couto et al.	D13/133
5,132,495 A	7/1992	Ewing et al.	
D331,567 S	12/1992	Braga et al.	
5,299,951 A	4/1994	Blaetz	
5,502,280 A	3/1996	Rocci et al.	
5,564,951 A	10/1996	Attal et al.	
5,816,853 A	10/1998	Buekers et al.	
5,844,171 A	12/1998	Fitzgerald	
5,857,865 A	1/1999	Shimirak et al.	
D407,378 S *	3/1999	Lee	D13/156
D411,508 S *	6/1999	Spillyards	D13/118

(Continued)

Primary Examiner — Daniel Bui

(74) *Attorney, Agent, or Firm* — Stephen R. Yoder, Esq.

(57) **CLAIM**

The ornamental design for a weather proofing system for coaxial cable connectors, as shown and described.

DESCRIPTION

FIG. 1 is a front perspective view of the present invention showing our design for a weather proofing system for coaxial cable connectors;

FIG. 2 is a back perspective view thereof;

FIG. 3 is a top view thereof, the claimed portion of which is a mirror image to the bottom view thereof

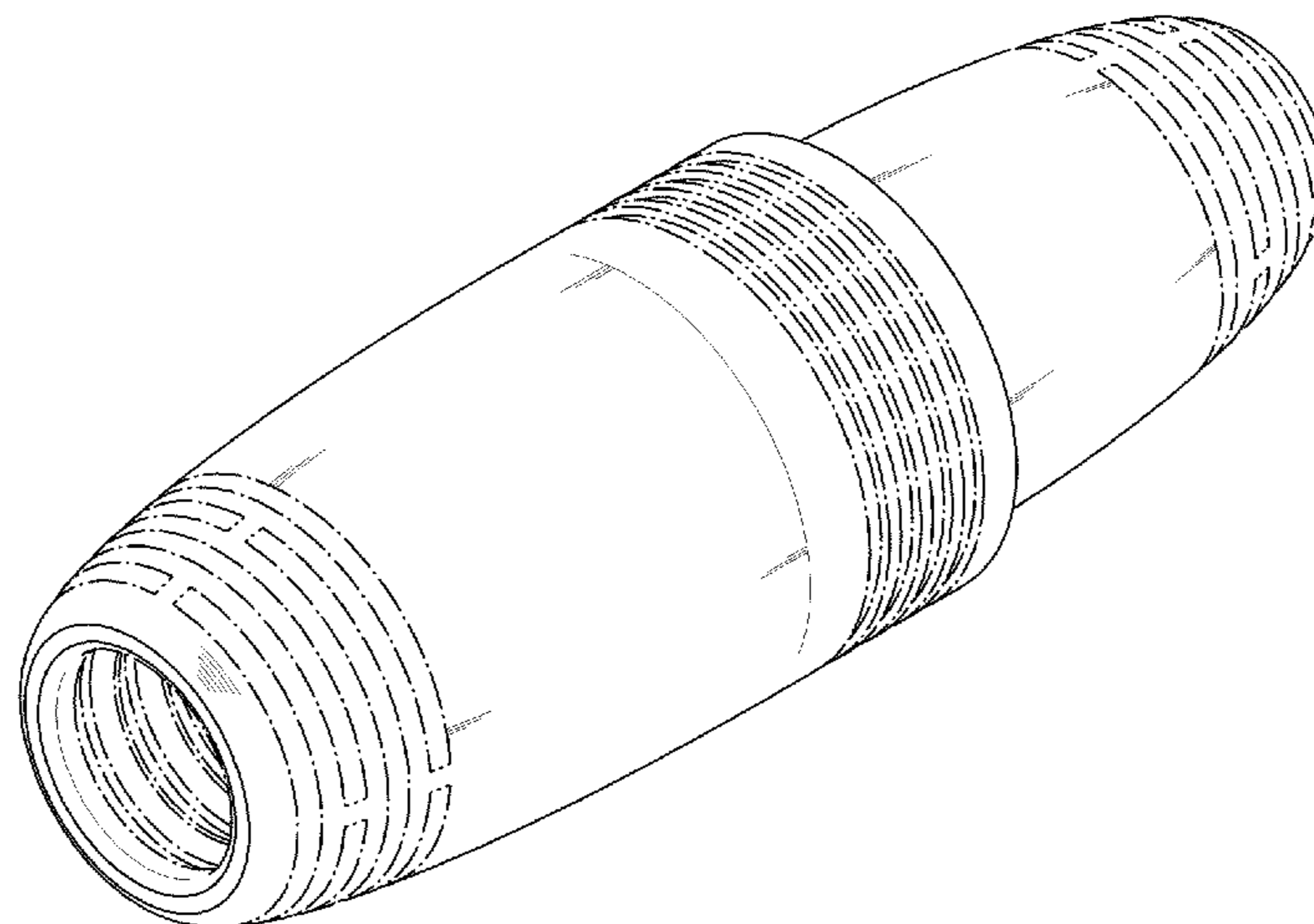
FIG. 4 is a right side view thereof, the claimed portion of which is a mirror image to the left side view thereof;

FIG. 5 is a front view thereof; and,

FIG. 6 is a back view thereof.

The dash-dot line in the figure drawings is included for the purpose of illustrating environment and forms no part of the claimed design.

1 Claim, 4 Drawing Sheets



US D642,989 S

Page 2

U.S. PATENT DOCUMENTS							
6,162,087	A	12/2000	Hiura	7,216,426	B2	5/2007	Borgstrom et al.
6,273,733	B1	8/2001	Uchiyama	D549,178	S	8/2007	Amidon
D456,363	S	4/2002	Lee	7,402,063	B2	7/2008	Montena
D458,351	S	6/2002	Chen	D575,744	S	8/2008	Amidon
6,558,180	B2	5/2003	Nishimoto	D584,228	S	1/2009	Strickland
D496,000	S	9/2004	Cornell	D586,757	S	2/2009	Minnick
D500,475	S	1/2005	Noro et al.	D597,947	S	8/2009	Ono
D504,113	S	4/2005	Montena	D605,595	S	12/2009	Thomas
6,929,265	B2	8/2005	Holland et al.	7,727,011	B2 *	6/2010	Montena et al. 439/578
6,942,520	B2	9/2005	Barlian et al.	D631,848	S *	2/2011	Montena et al. D13/154
D512,023	S	11/2005	Bachmann	2006/0035508	A1	2/2006	Stekelenburg
7,001,202	B2	2/2006	Robbins	2006/0240709	A1 *	10/2006	Montena et al. 439/578
7,179,100	B2	2/2007	Montena	2006/0286862	A1	12/2006	Lubinsky et al.
7,186,127	B2	3/2007	Montena	2010/0248533	A1	9/2010	Montena

* cited by examiner

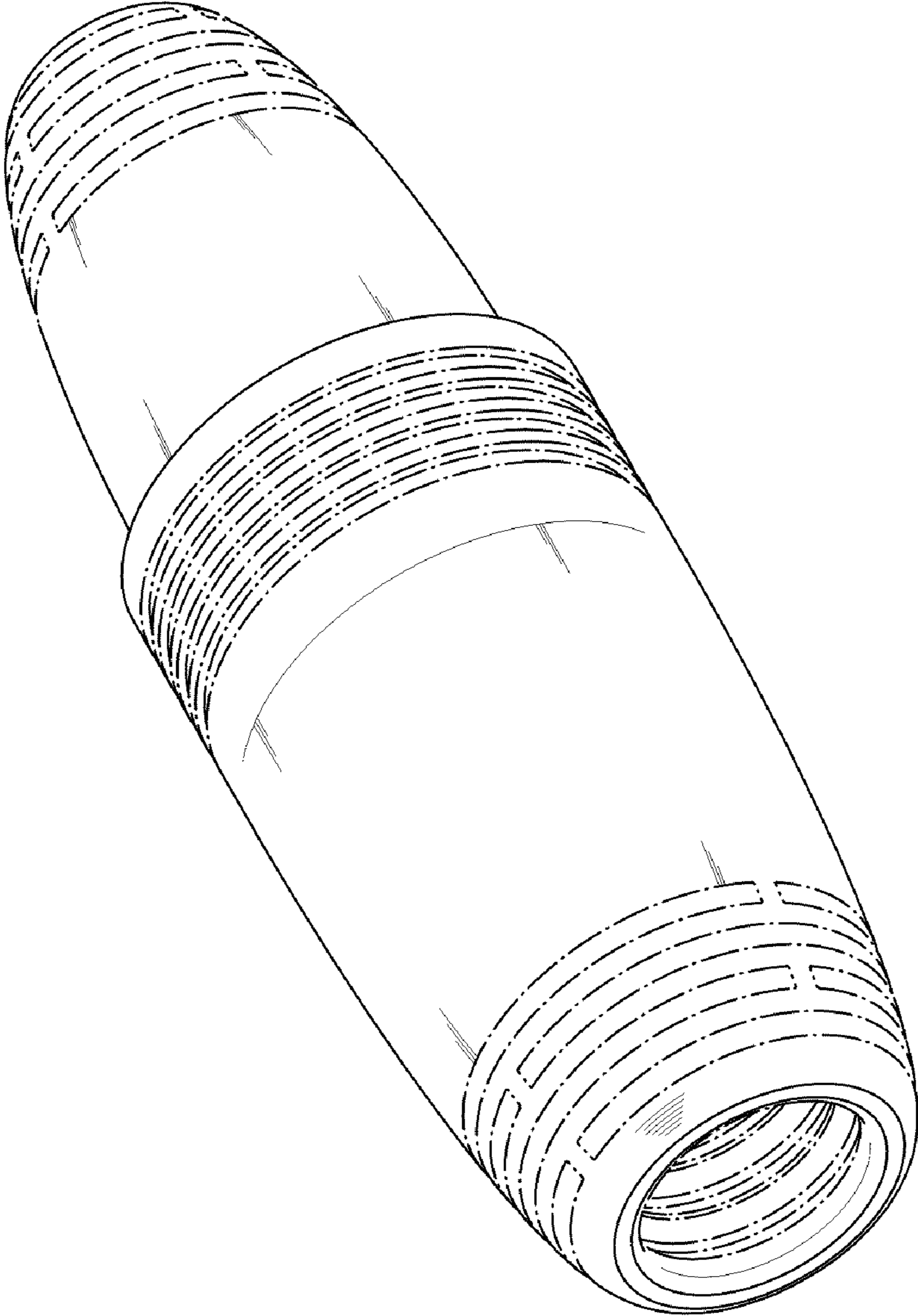


FIG. 1

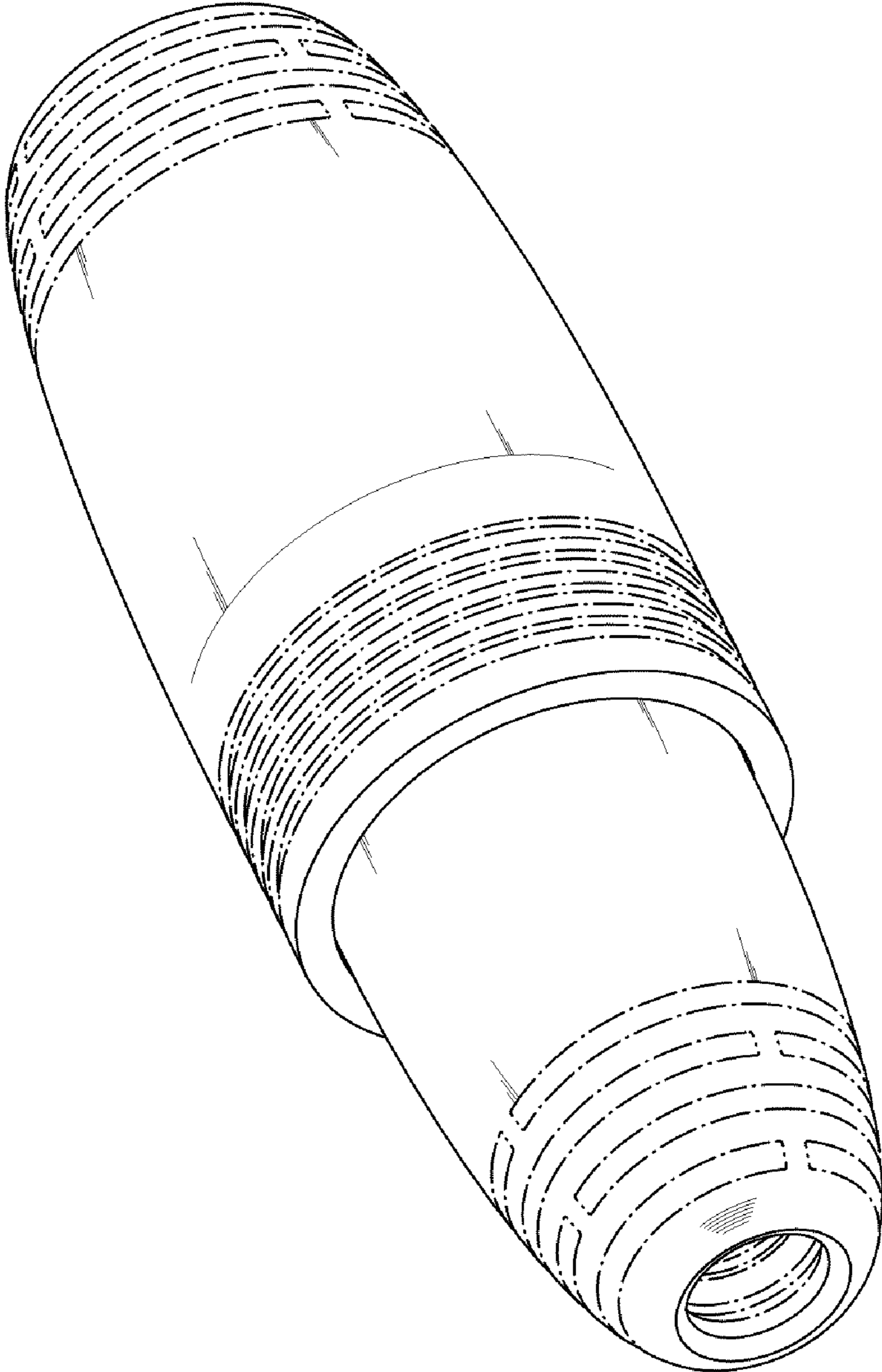


FIG. 2

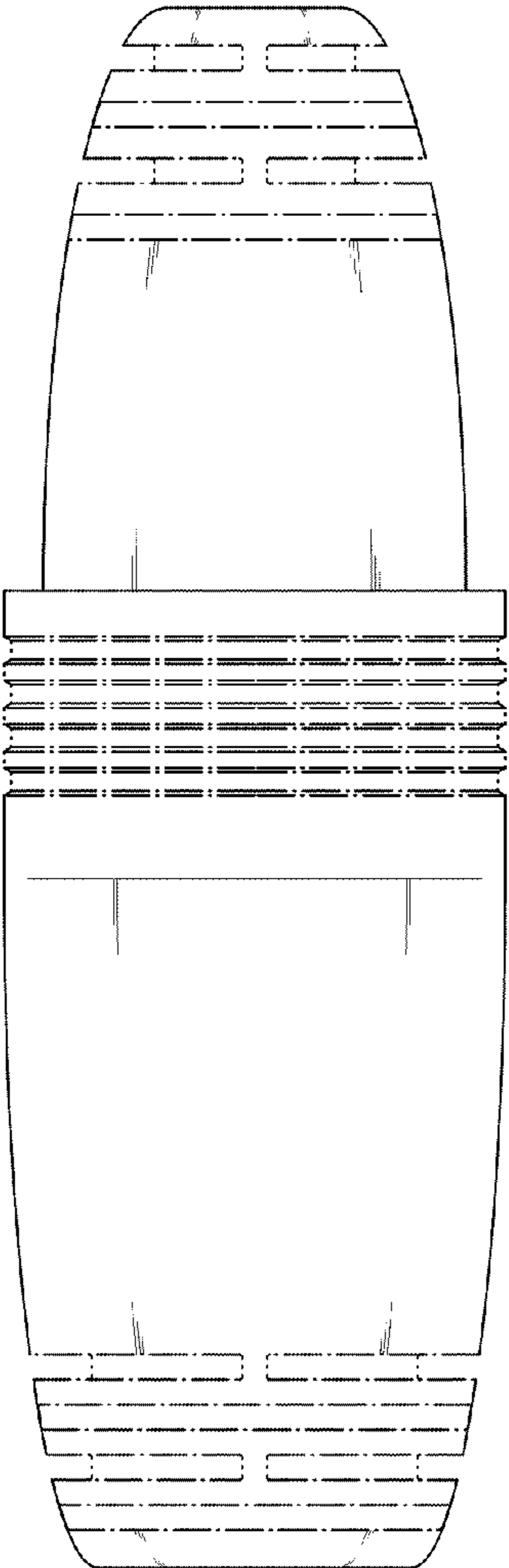


FIG. 3

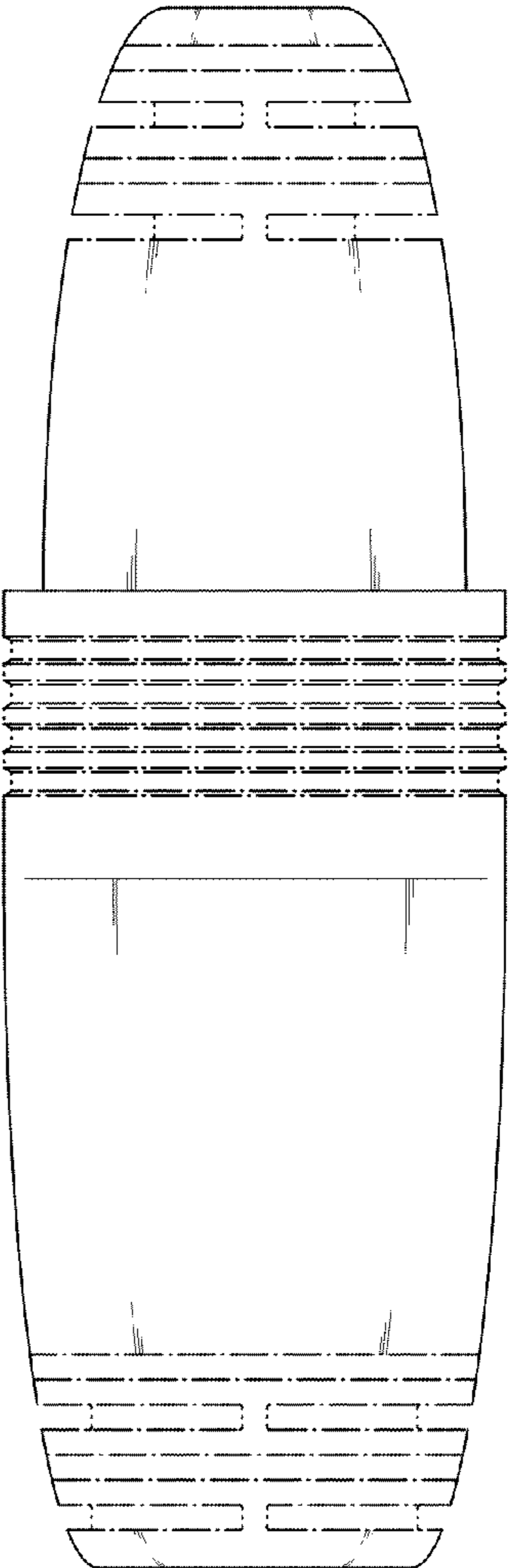


FIG. 4

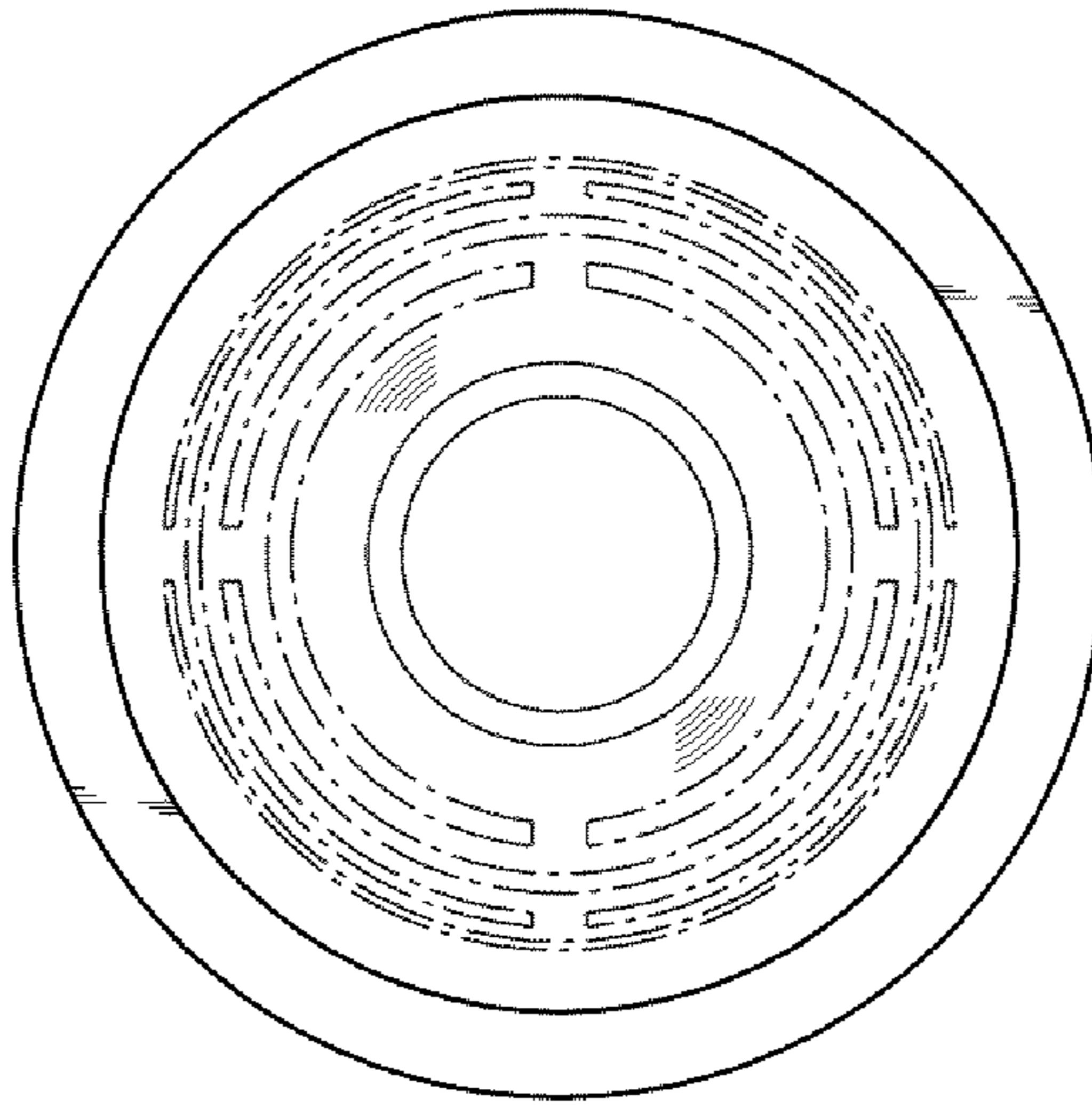


FIG. 6

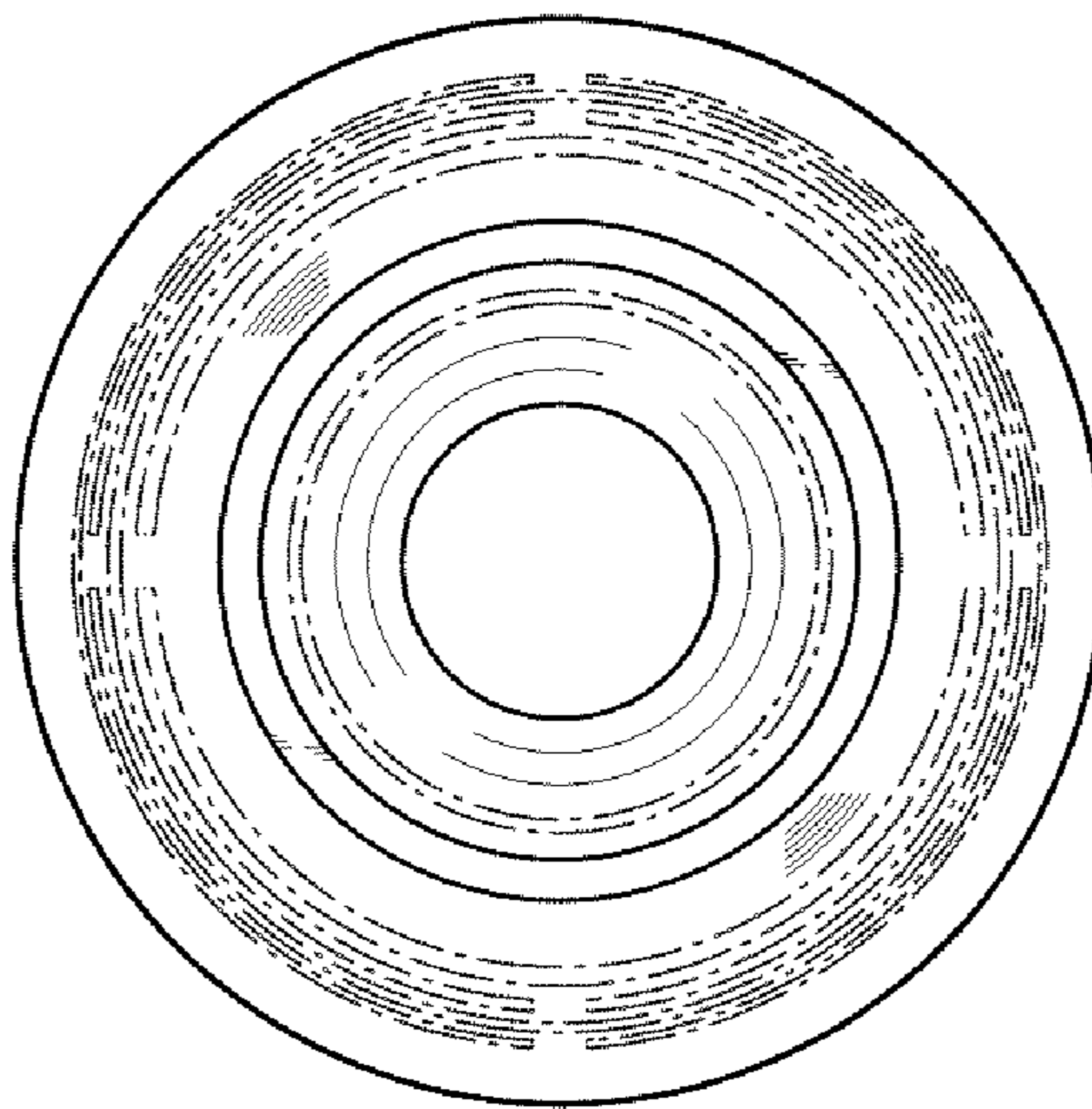


FIG. 5