

US00D642987S

(12) **United States Design Patent**  
**Sculler et al.**

(10) **Patent No.:** **US D642,987 S**

(45) **Date of Patent:** **\*\* Aug. 9, 2011**

(54) **END CAP FOR CABLE MANAGEMENT SYSTEM**

(56) **References Cited**

(75) Inventors: **Steven J. Sculler**, Morganville, NJ (US);  
**Norman L. Barrigas**, Danbury, CT  
(US); **Steven R. Remy**, New York, NY  
(US); **Michael P. Zambelli**, Basking  
Ridge, NJ (US); **Ben Portnoy**, Morton,  
PA (US)

U.S. PATENT DOCUMENTS

D292,874	S	*	11/1987	Clauss	.....	D8/377
D434,175	S	*	11/2000	Fahmian	.....	D26/113
D467,552	S	*	12/2002	Mori et al.	.....	D13/154
D467,877	S	*	12/2002	Mori et al.	.....	D13/154
6,492,594	B1	*	12/2002	Magyar et al.	.....	174/97
D483,334	S	*	12/2003	Caswell	.....	D13/155
D562,812	S	*	2/2008	Sculler et al.	.....	D14/239
D597,963	S	*	8/2009	Mulch et al.	.....	D13/155
7,586,040	B1	*	9/2009	Bala et al.	.....	174/66
7,696,434	B2	*	4/2010	Ruddick	.....	174/68.3
D622,441	S	*	8/2010	Warner et al.	.....	D26/138
D626,515	S	*	11/2010	Winer	.....	D13/155
2008/0087465	A1	*	4/2008	Anderson	.....	174/72 A

(73) Assignee: **Bell'O International Corp.**,  
Morganville, NJ (US)

\* cited by examiner

(\*\*) Term: **14 Years**

*Primary Examiner* — Rosemary K Tarcza

(21) Appl. No.: **29/310,619**

(74) *Attorney, Agent, or Firm* — Lerner, David, Littenberg,  
Krumholz & Mentlik, LLP

(22) Filed: **Aug. 28, 2008**

(57) **CLAIM**

The ornamental design for an end cap for cable management system, as shown and described.

(51) **LOC (9) Cl.** ..... **13-03**

**DESCRIPTION**

(52) **U.S. Cl.** ..... **D13/155**

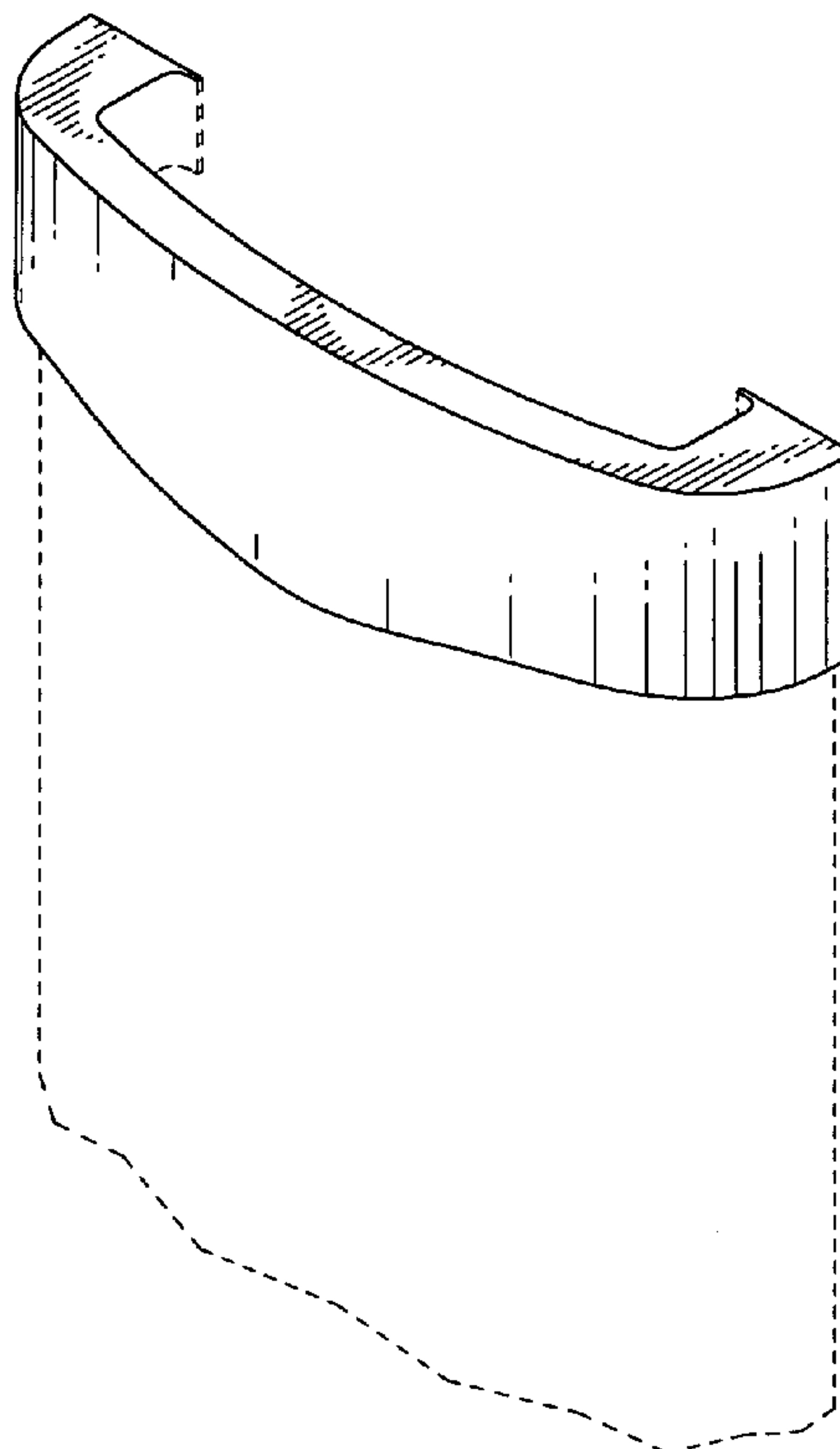
(58) **Field of Classification Search** ..... D13/133,  
D13/154–156, 184, 199; D8/349, 354, 376–377;  
D26/138, 113; D14/217, 239; D23/60, 62,  
D23/259; 174/68.1, 66, 68.3, 72 R, 72 A,  
174/72 C, 74 R, 82, 74 A, 93, 96–97, 100,  
174/101, 99 R; 138/108–109, 115–117;  
439/207–211; 385/134–136

FIG. 1 is a front perspective view of my design for an end cap for cable management system;  
FIG. 2 is a front elevational view thereof;  
FIG. 3 is a top plan view thereof; and,  
FIG. 4 is a left side view thereof (the right side view is a mirror image of the left side view).

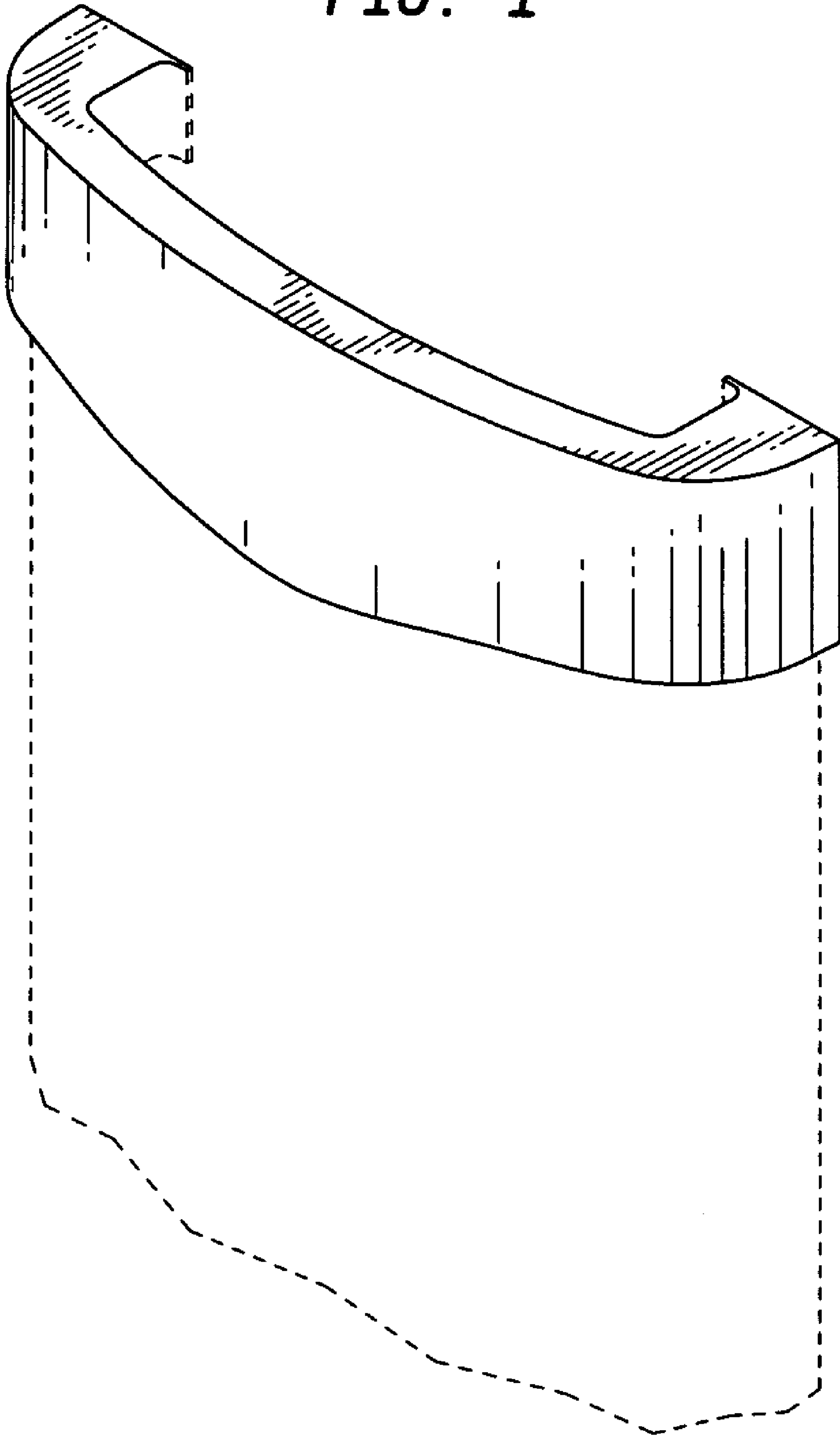
The broken lines shown on the drawings are included for the purpose of illustration and form no part of the claimed design.

See application file for complete search history.

**1 Claim, 2 Drawing Sheets**



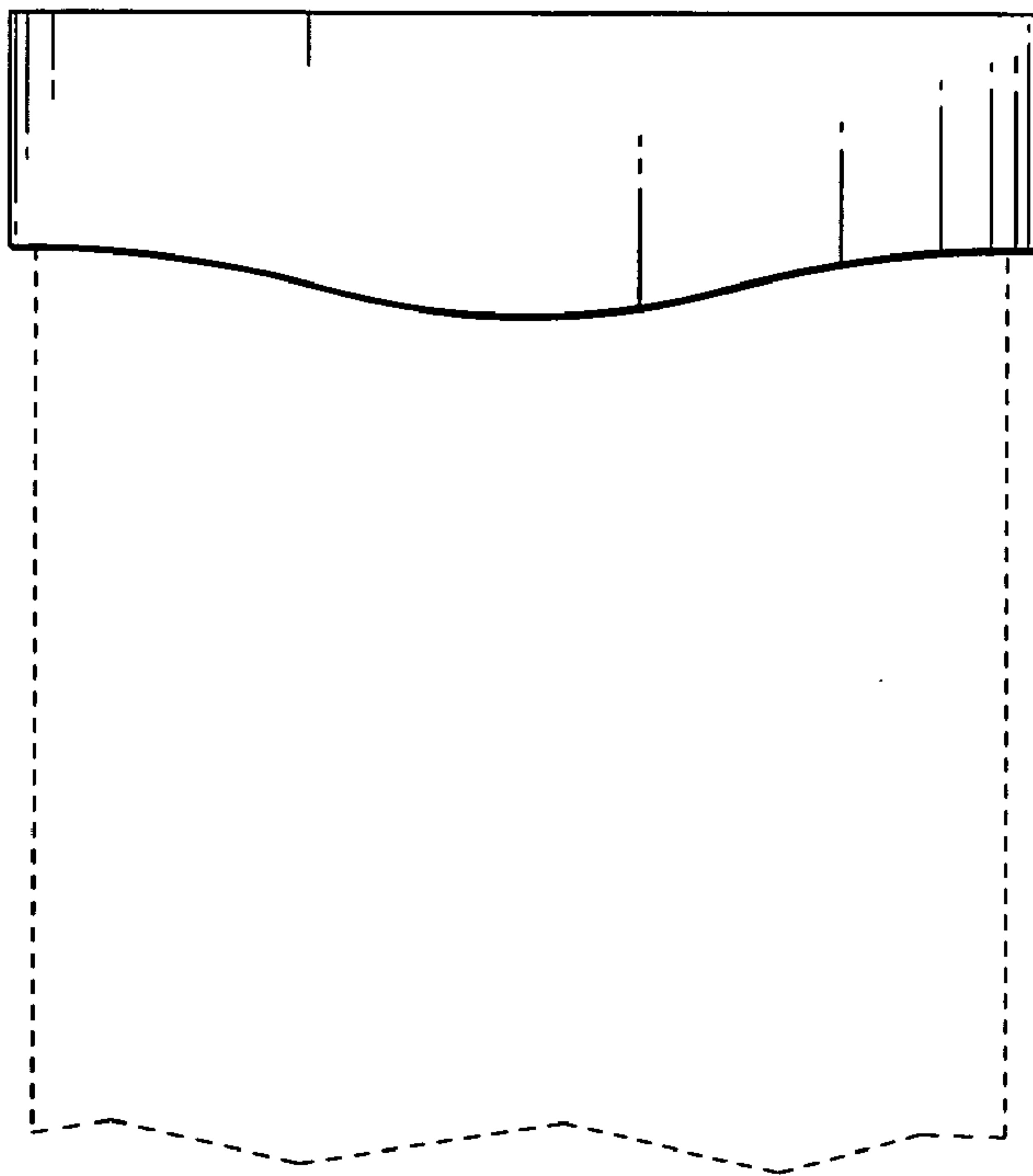
**FIG. 1**



*FIG. 3*



*FIG. 2*



*FIG. 4*

