



US00D642986S

(12) **United States Design Patent**  
**Nishimura et al.**

(10) **Patent No.:** **US D642,986 S**

(45) **Date of Patent:** **\*\* Aug. 9, 2011**

(54) **ELECTRICAL CONNECTOR**

(75) Inventors: **Takayuki Nishimura**, Tokyo (JP);  
**Hiroaki Obikane**, Tokyo (JP)

(73) Assignee: **Japan Aviation Electronics Industry, Limited**, Tokyo (JP)

(\*\*) Term: **14 Years**

(21) Appl. No.: **29/383,411**

(22) Filed: **Jan. 18, 2011**

(30) **Foreign Application Priority Data**

Oct. 25, 2010 (JP) ..... 2010-025505

(51) **LOC (9) Cl.** ..... **13-03**

(52) **U.S. Cl.** ..... **D13/147**

(58) **Field of Classification Search** ..... D13/147,  
D13/154, 184, 199; 439/78-79, 83, 108,  
439/181, 607.01, 607.04, 607.05, 607.17,  
439/607.25, 607.34, 74, 607.41, 607.53,  
439/630, 660

See application file for complete search history.

(56) **References Cited**

U.S. PATENT DOCUMENTS

D570,289 S *	6/2008	Obikane	.....	D13/147
D576,556 S *	9/2008	Lee et al.	.....	D13/147
D588,541 S *	3/2009	Lee et al.	.....	D13/147
D589,898 S *	4/2009	Chen et al.	.....	D13/147
D603,801 S	11/2009	Obikane et al.		
D604,250 S *	11/2009	Obikane et al.	.....	D13/147

\* cited by examiner

*Primary Examiner* — Daniel Bui

(74) *Attorney, Agent, or Firm* — Cermak Nakajima LLP;  
Tomoko Nakajima

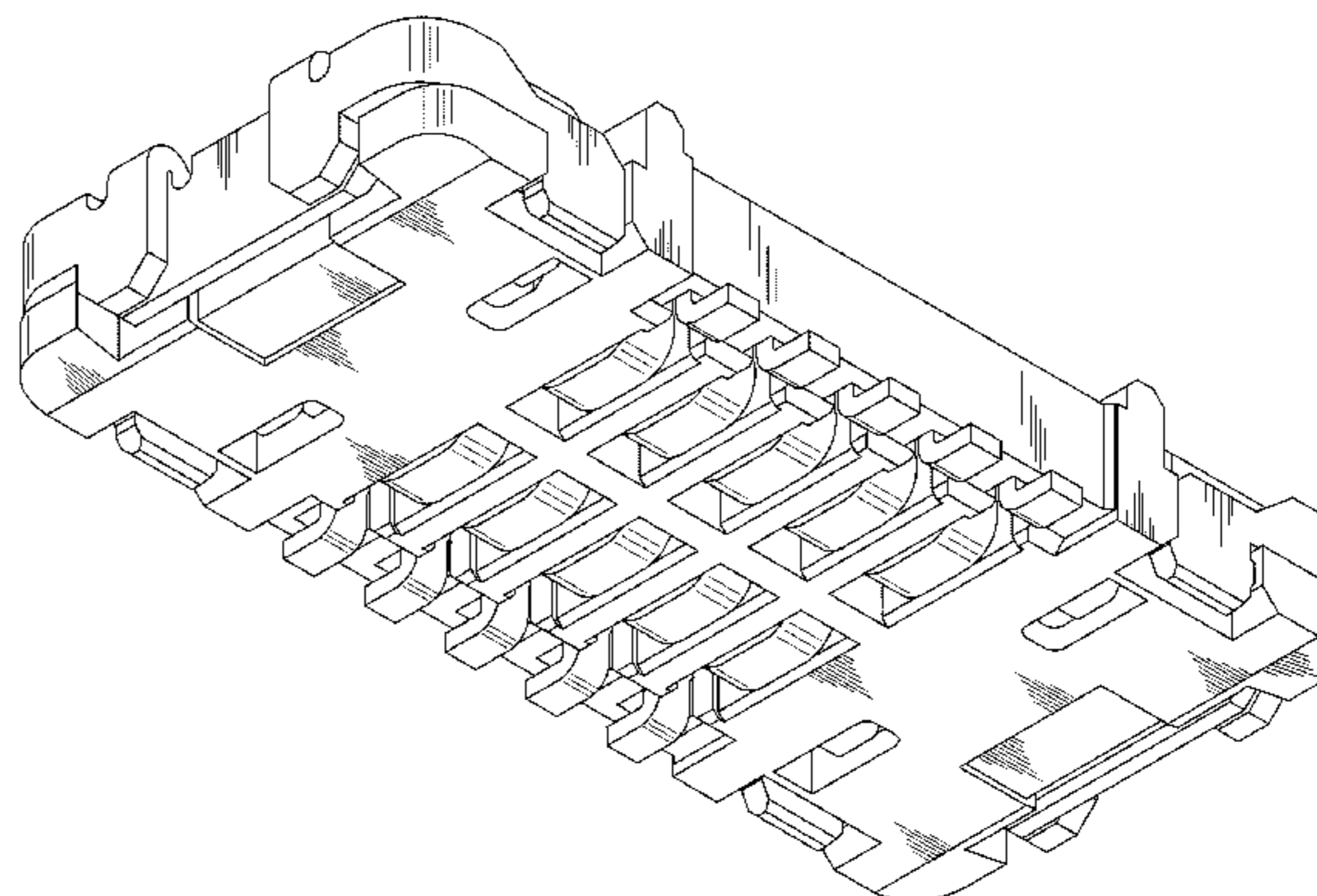
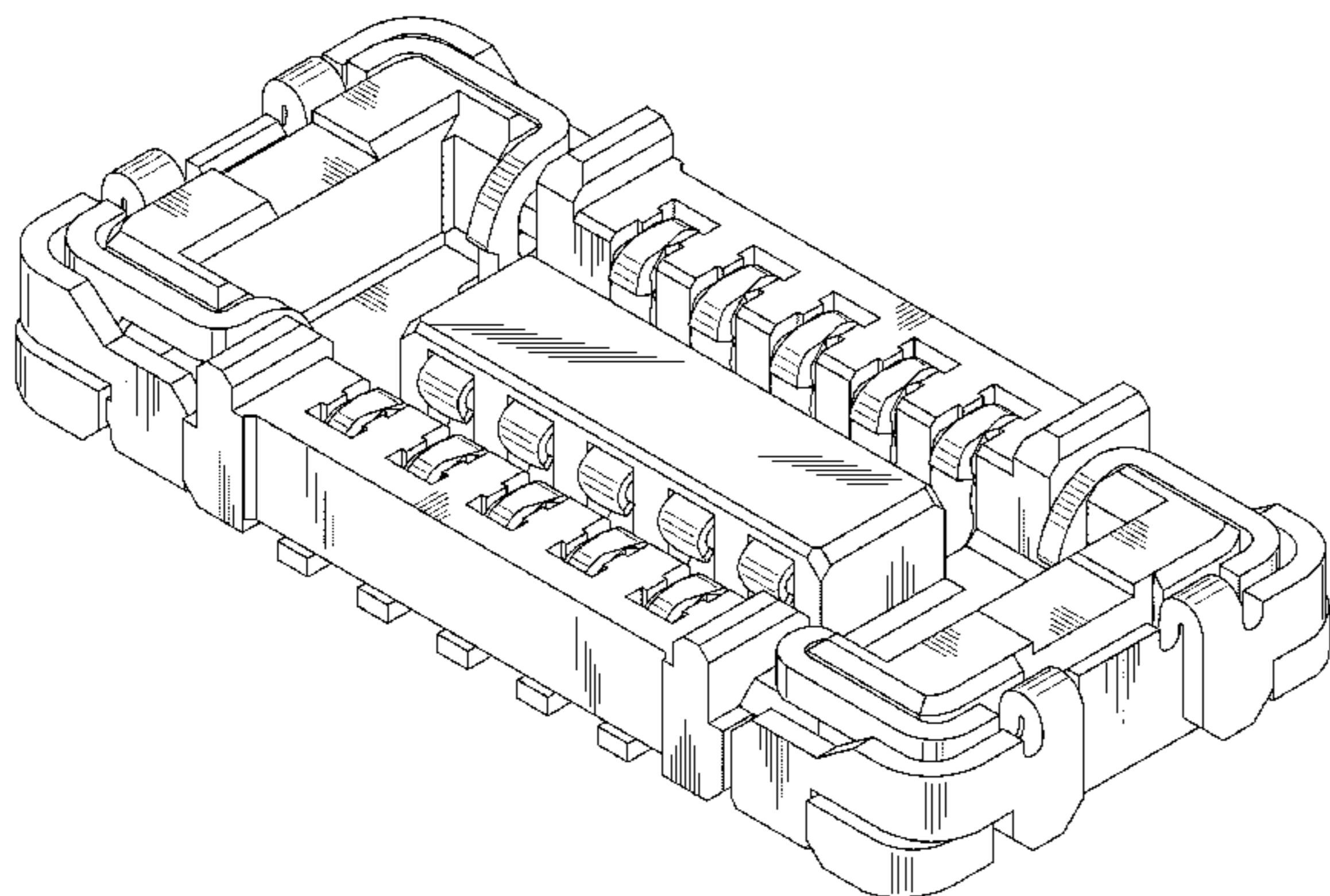
(57) **CLAIM**

The ornamental design for an electrical connector, as shown.

**DESCRIPTION**

FIG. 1 is a front elevational view of an electrical connector showing our new design;  
FIG. 2 is a top plan view thereof;  
FIG. 3 is a right side elevational view thereof;  
FIG. 4 is a left side elevational view thereof;  
FIG. 5 is a rear elevational view thereof;  
FIG. 6 is a bottom plan view thereof;  
FIG. 7 is a top perspective view thereof; and,  
FIG. 8 is a bottom perspective view thereof.

**1 Claim, 8 Drawing Sheets**



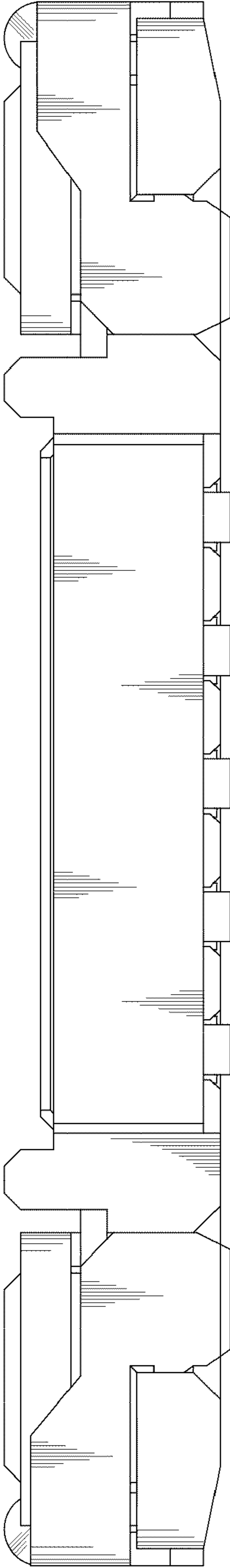


FIG.1

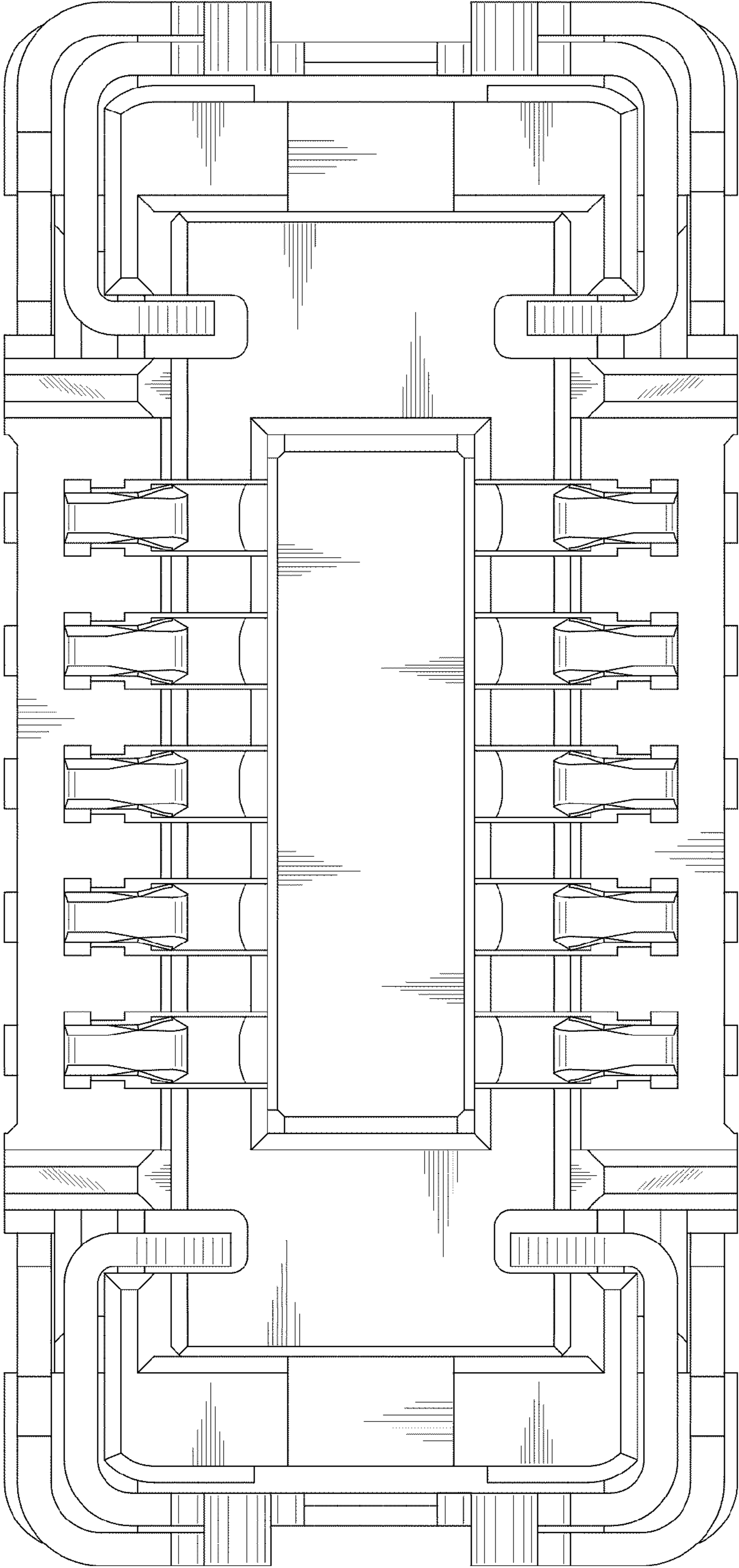


FIG.2

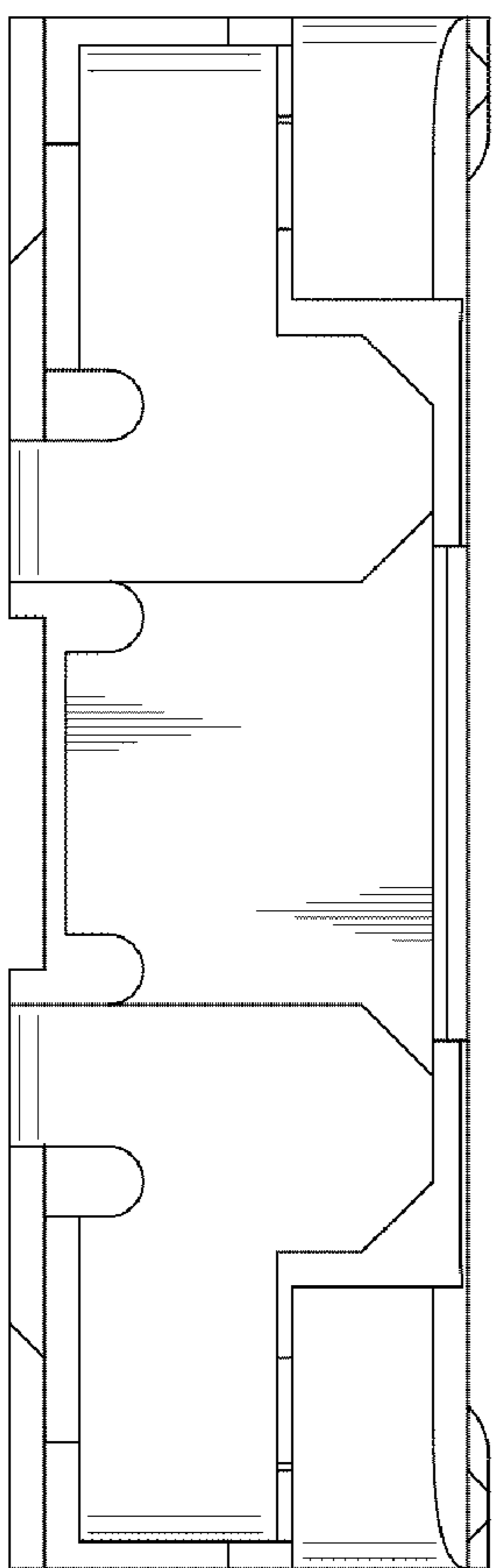


FIG.3

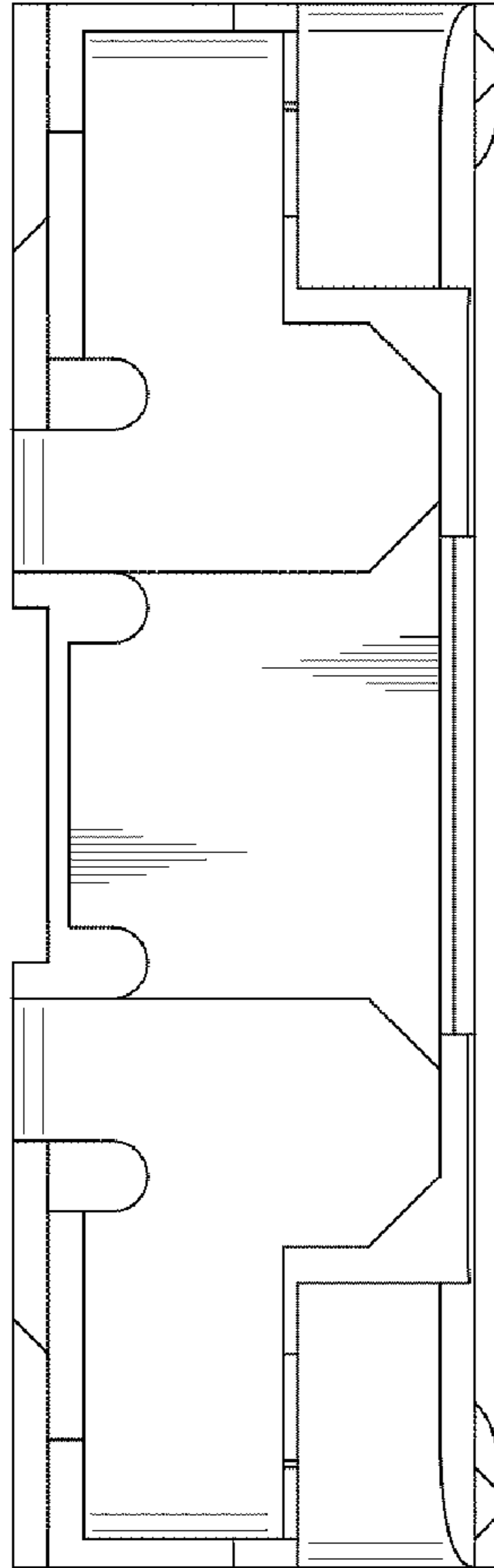


FIG.4

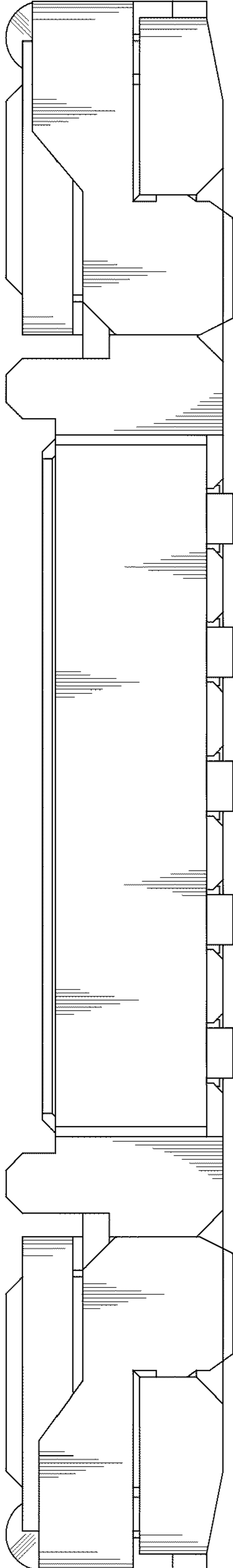


FIG.5



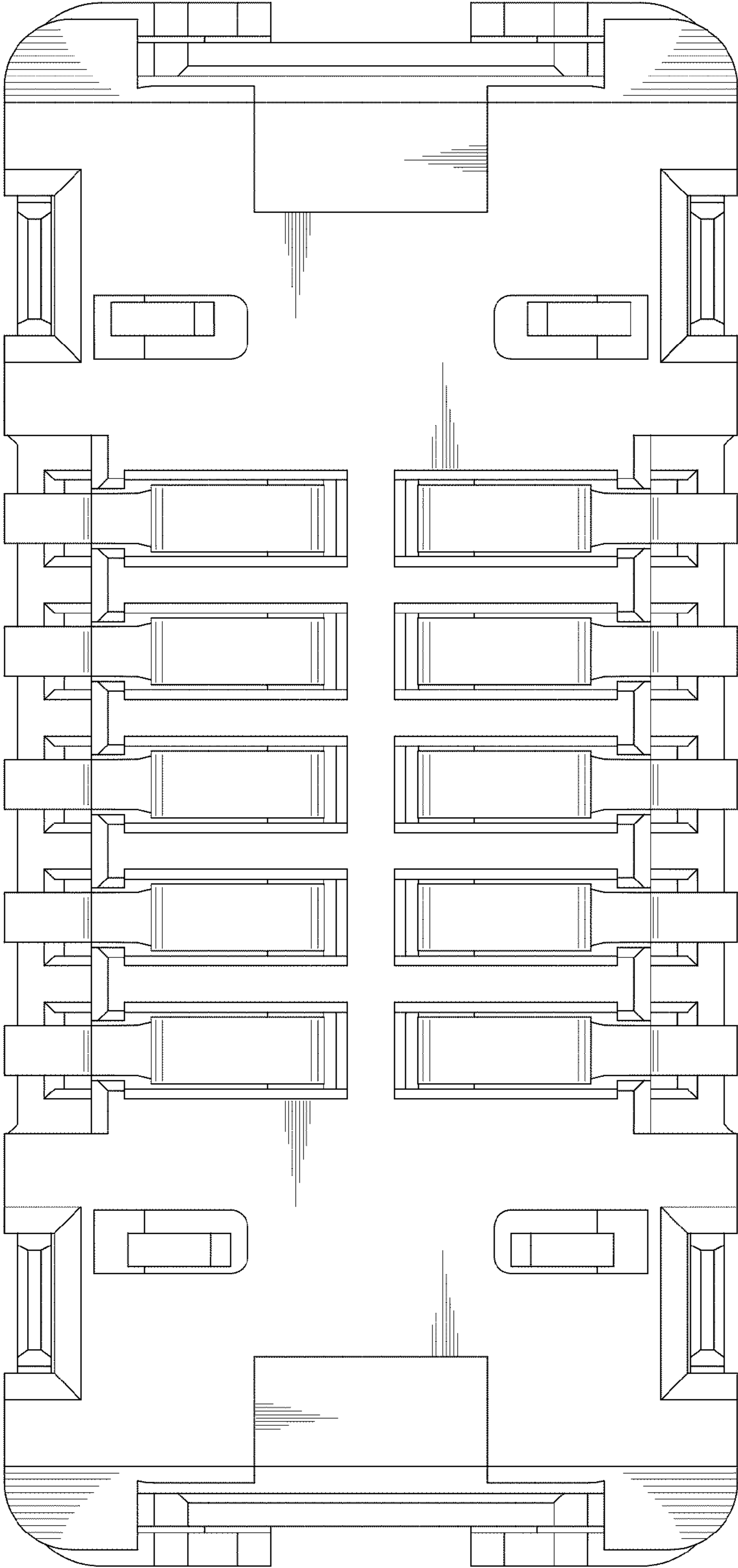


FIG.6

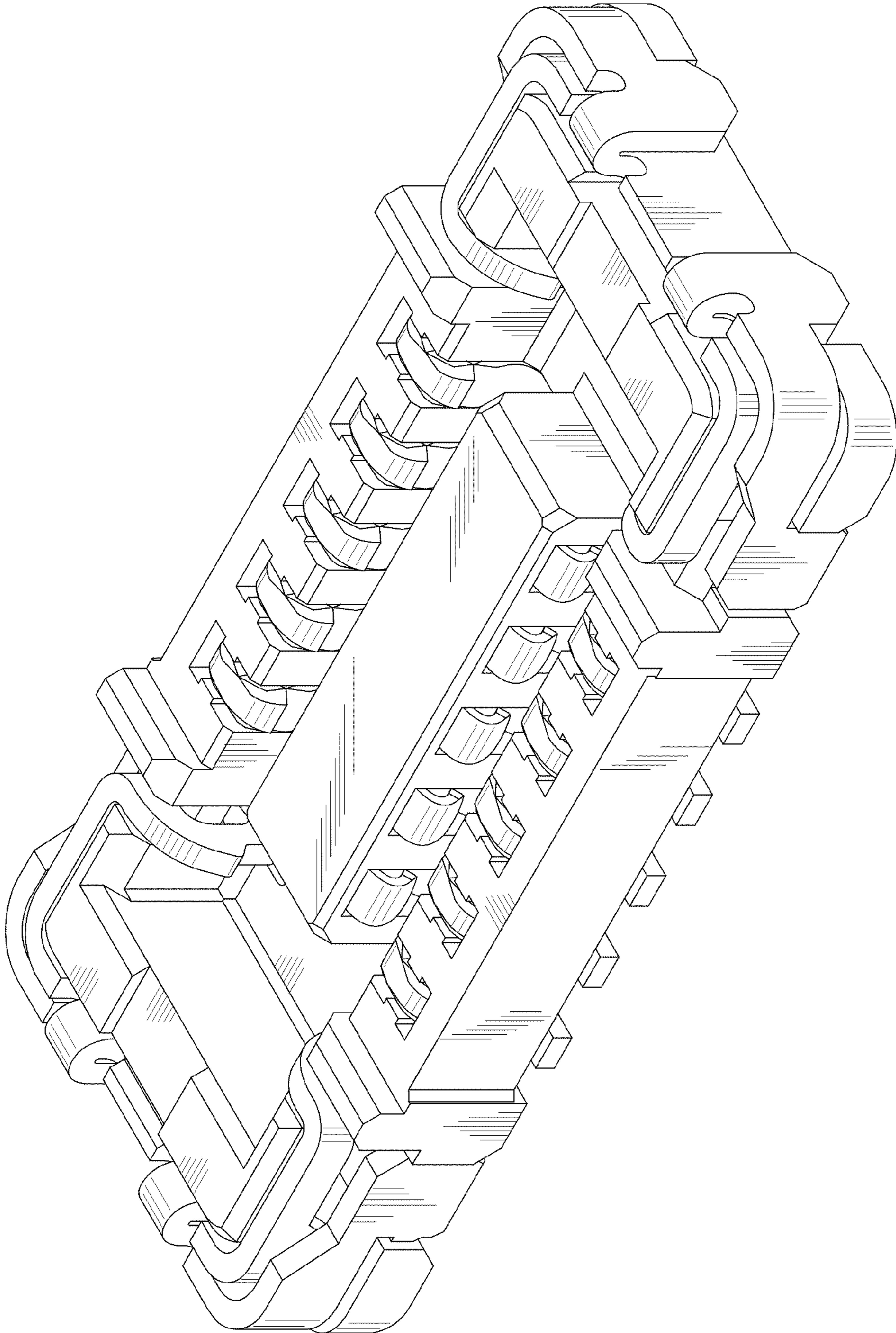


FIG.7



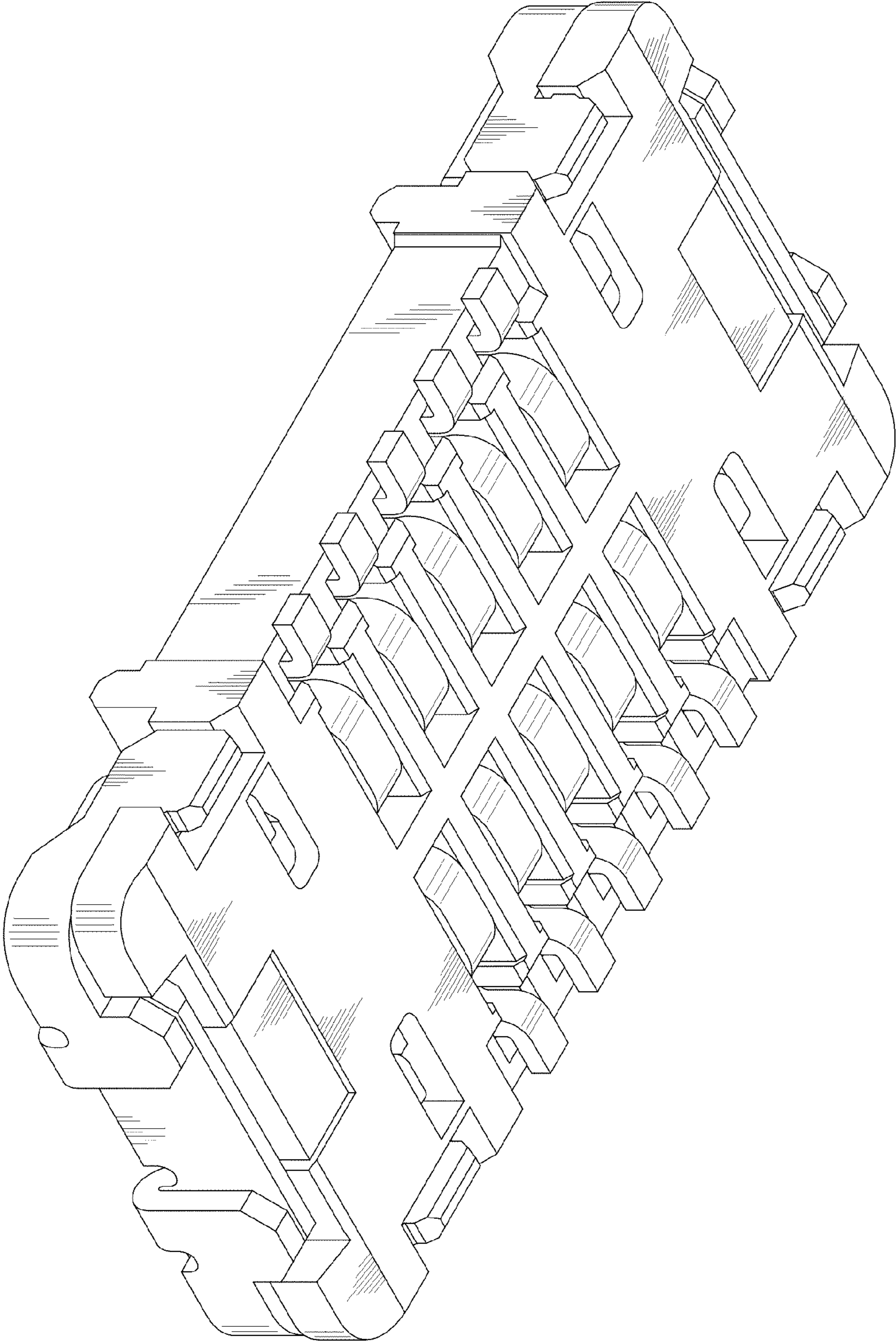


FIG.8