



US00D642985S

(12) **United States Design Patent**
Luo

(10) **Patent No.:** **US D642,985 S**

(45) **Date of Patent:** **** Aug. 9, 2011**

(54) **ELECTRICAL CONNECTOR**

(75) Inventor: **Hong-Jing Luo**, Shenzhen (CN)

(73) Assignee: **Hon Hai Precision Ind. Co., Ltd.**, New Taipei (TW)

(**) Term: **14 Years**

(21) Appl. No.: **29/378,799**

(22) Filed: **Nov. 10, 2010**

(30) **Foreign Application Priority Data**

Jul. 19, 2010 (CN) 2010 3 0242092

(51) **LOC (9) Cl.** **13-03**

(52) **U.S. Cl.** **D13/147**

(58) **Field of Classification Search** D13/147,
D13/154, 184; 439/476.1, 483, 527, 533,
439/607.01, 607.04, 607.05, 607.17, 607.25,
439/607.34, 607.41, 607.53, 892, 894

See application file for complete search history.

(56) **References Cited**

U.S. PATENT DOCUMENTS

D621,365 S * 8/2010 Kondo et al. D13/147
D621,787 S * 8/2010 Kondo D13/147
D621,788 S * 8/2010 Kondo D13/147
D626,078 S * 10/2010 Kondo et al. D13/147

* cited by examiner

Primary Examiner — Daniel Bui

(74) *Attorney, Agent, or Firm* — Wei Te Chung; Andrew C. Cheng; Ming Chieh Chang

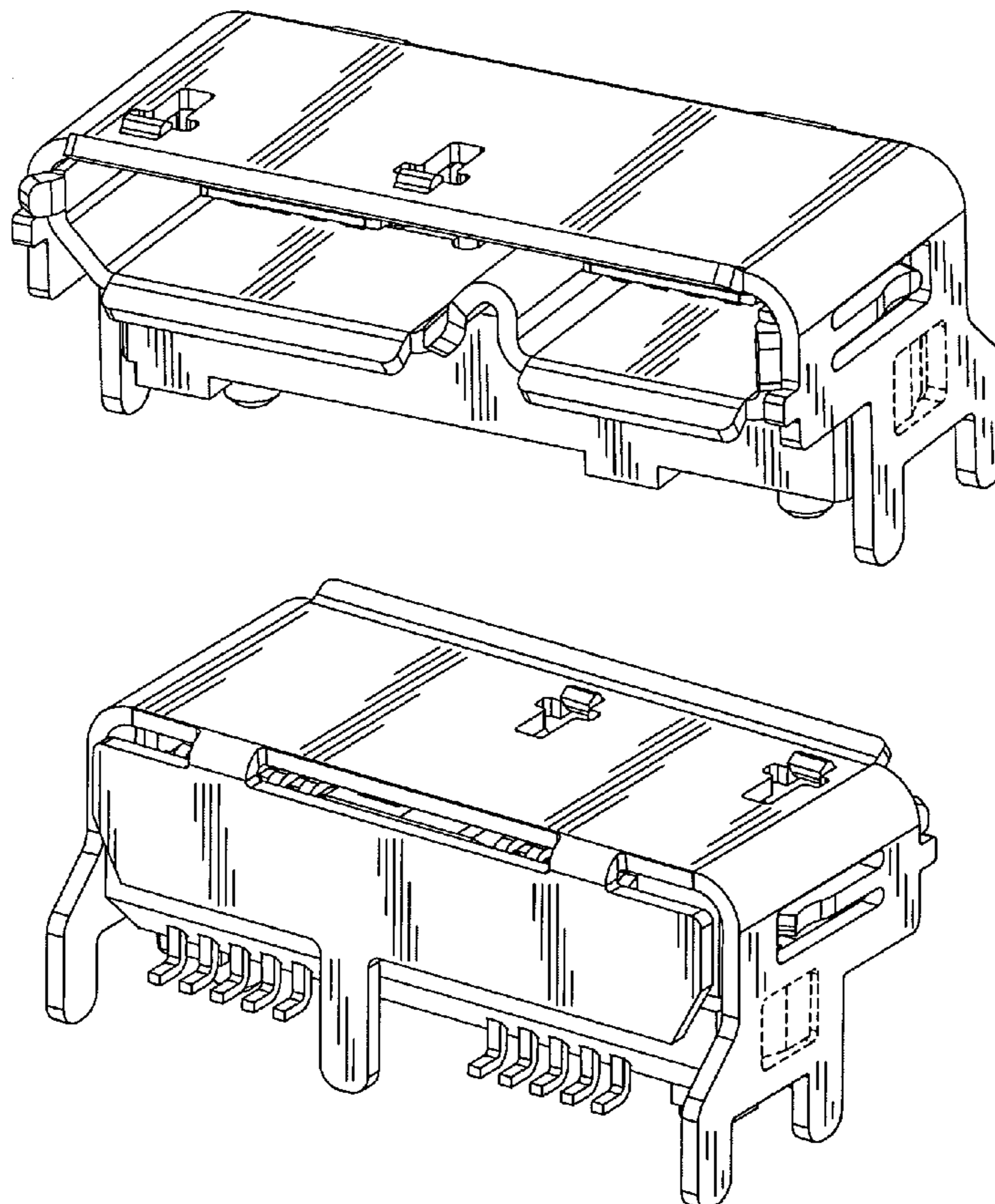
(57) **CLAIM**

The ornamental design for an electrical connector, as shown and described.

DESCRIPTION

FIG. 1 is a front, top and right side perspective view of an electrical connector showing our new design; FIG. 2 is a front elevational view thereof; FIG. 3 is a rear elevational view thereof; FIG. 4 is a left side elevational view thereof; FIG. 5 is a right side elevational view thereof; FIG. 6 is a top plan view thereof; FIG. 7 is a bottom plan view thereof; and, FIG. 8 is a rear, top and left side perspective view thereof. The broken line in FIG. 7 drawing views is included to show unclaimed subject matter only and forms no part of the claimed design.

1 Claim, 8 Drawing Sheets



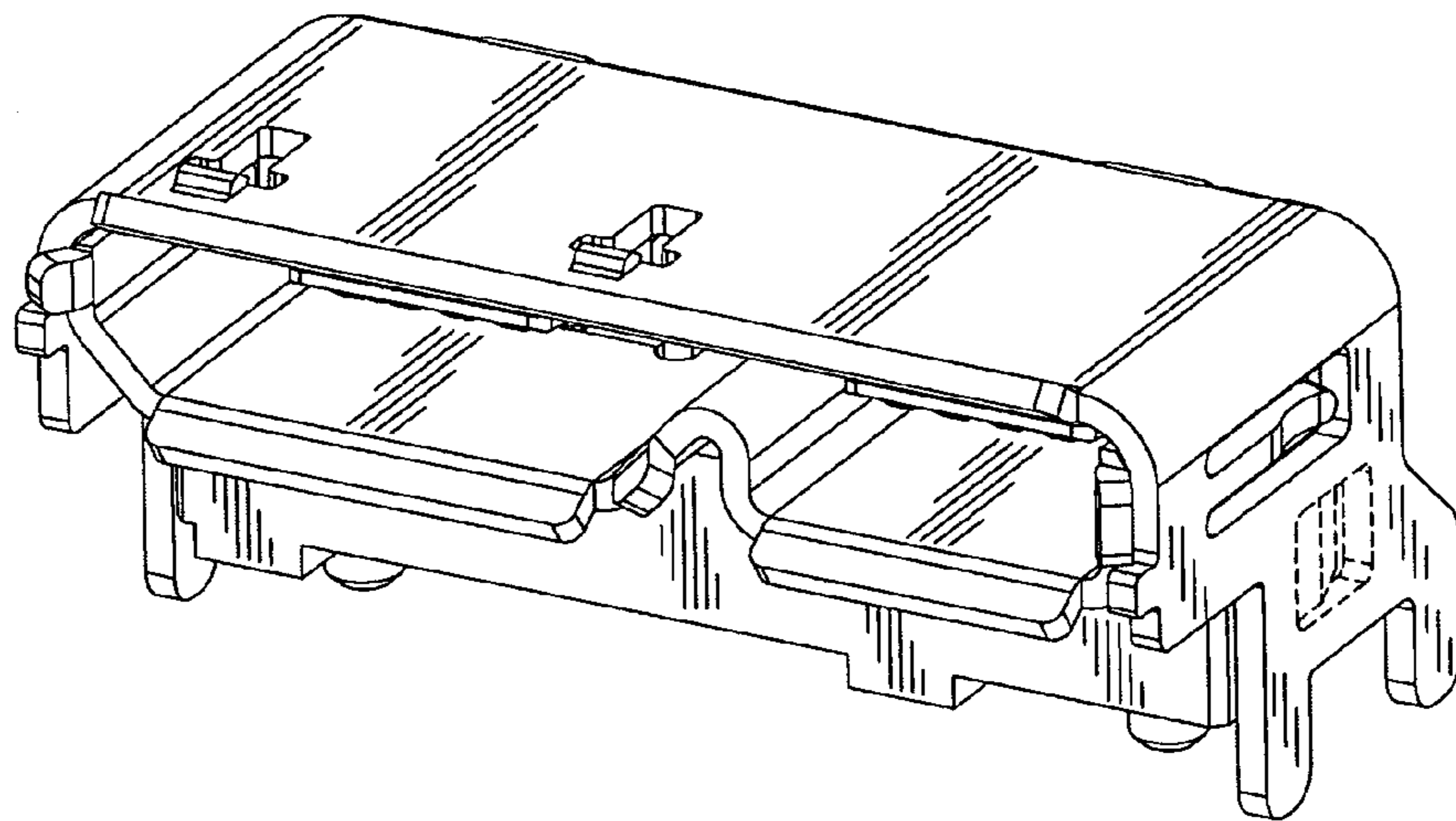


FIG. 1

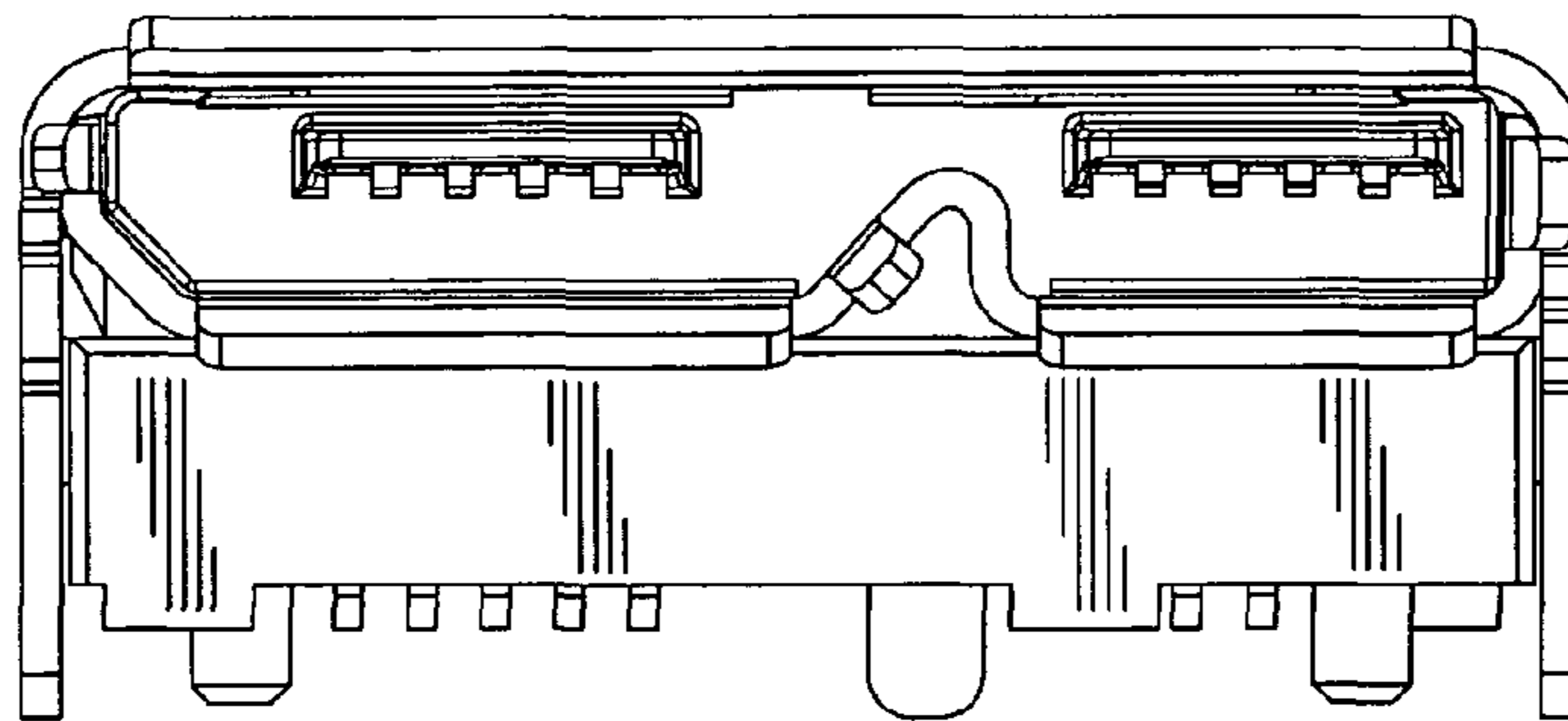


FIG. 2

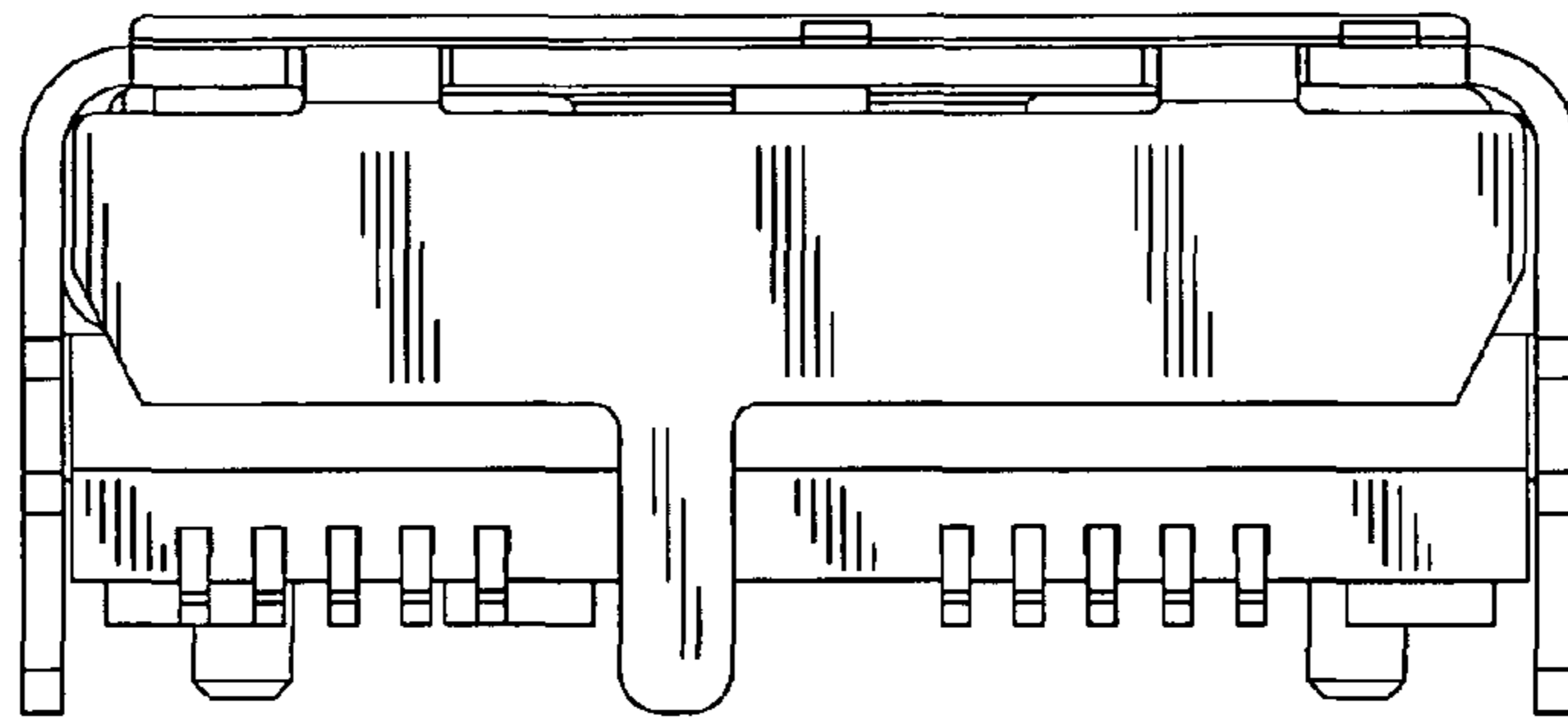


FIG. 3

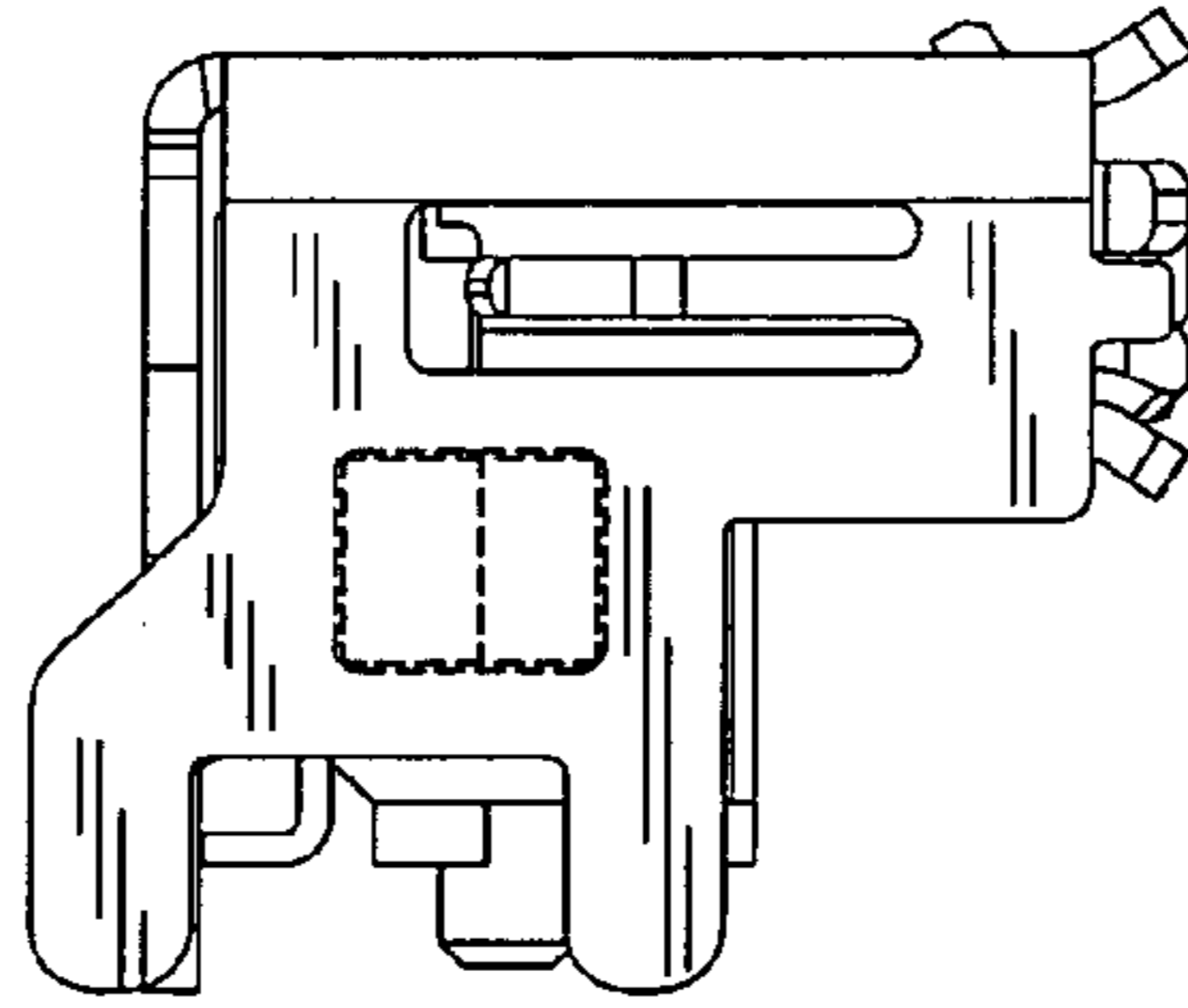


FIG. 4

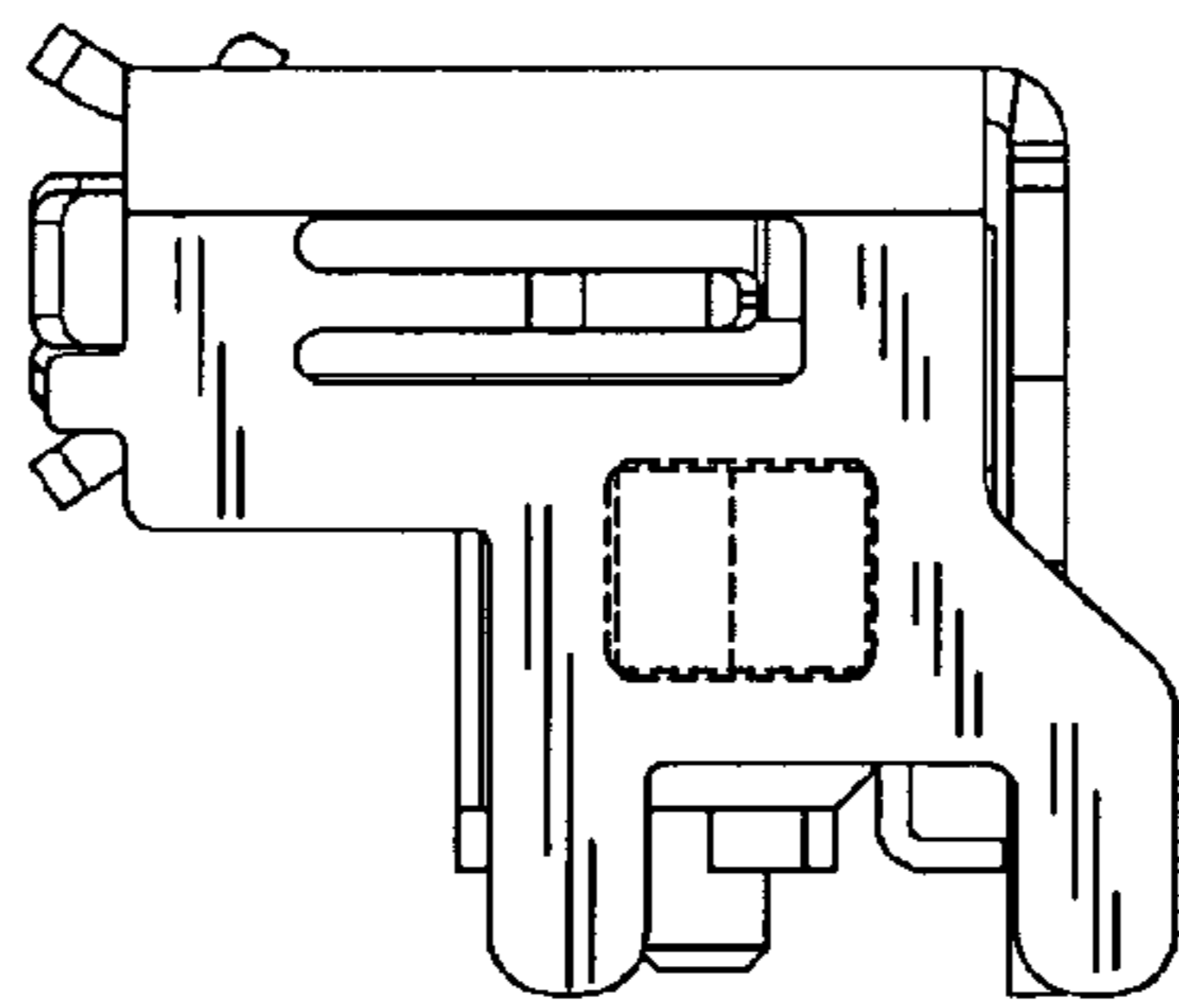


FIG. 5

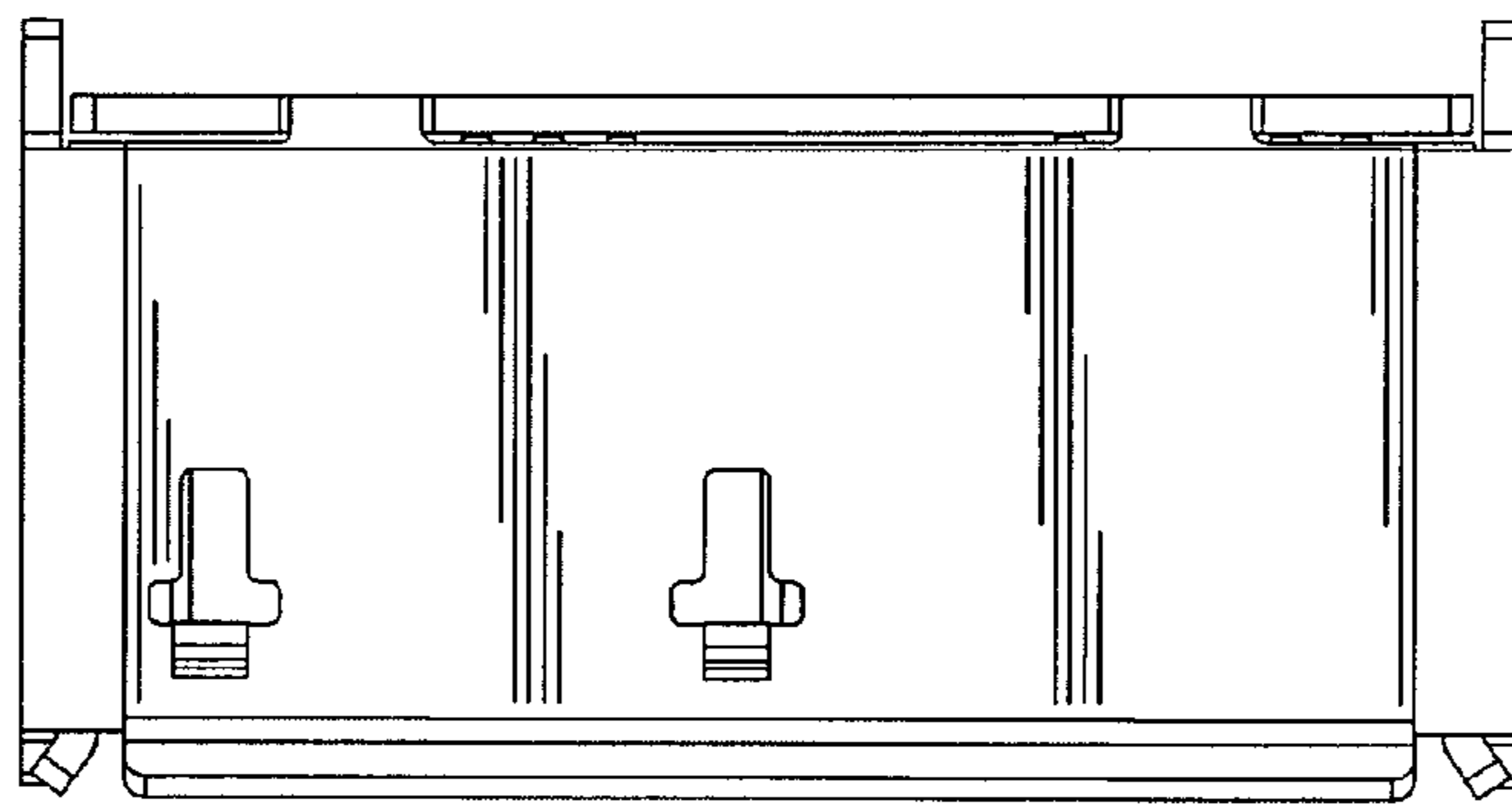


FIG. 6

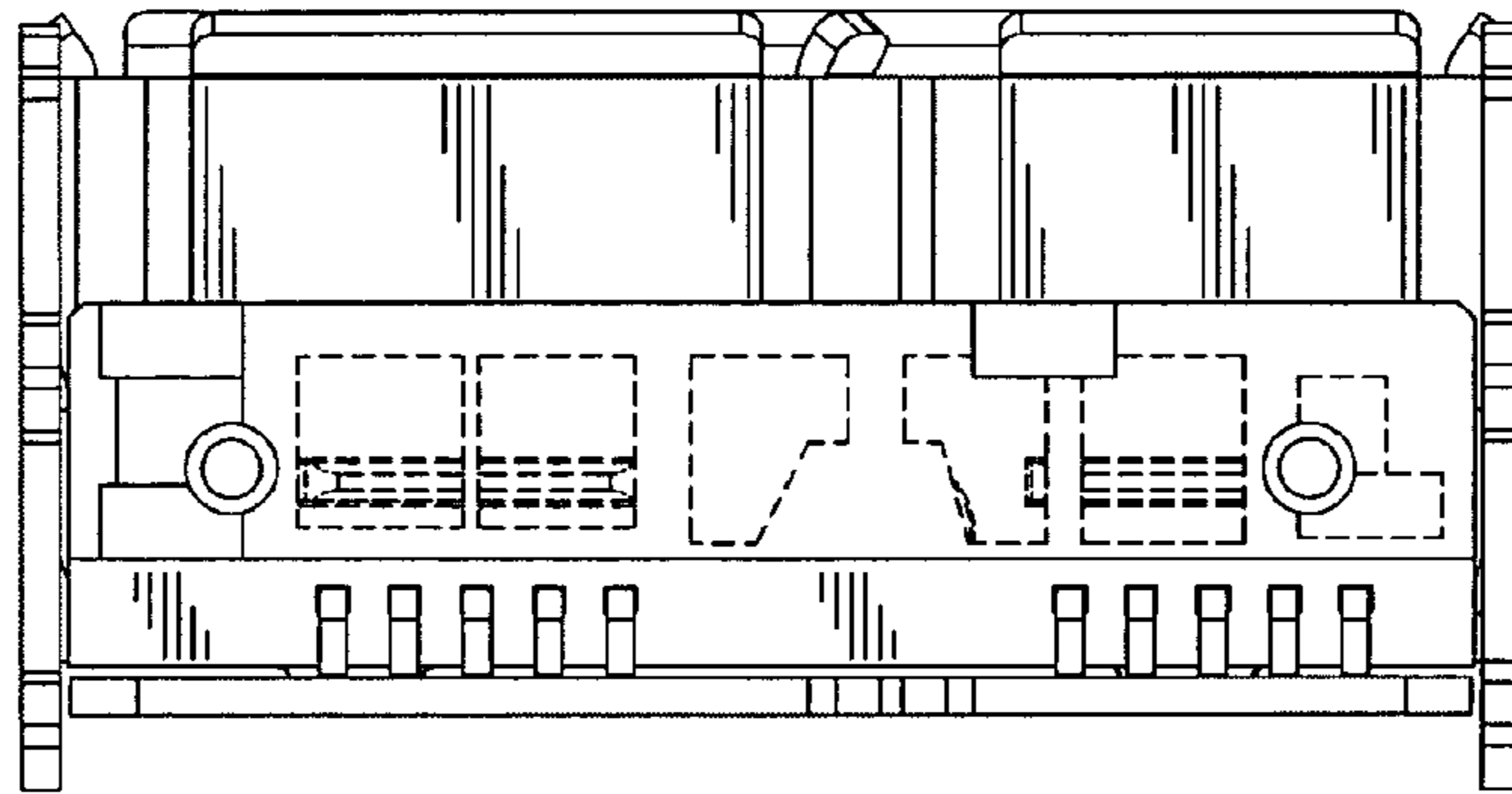


FIG. 7

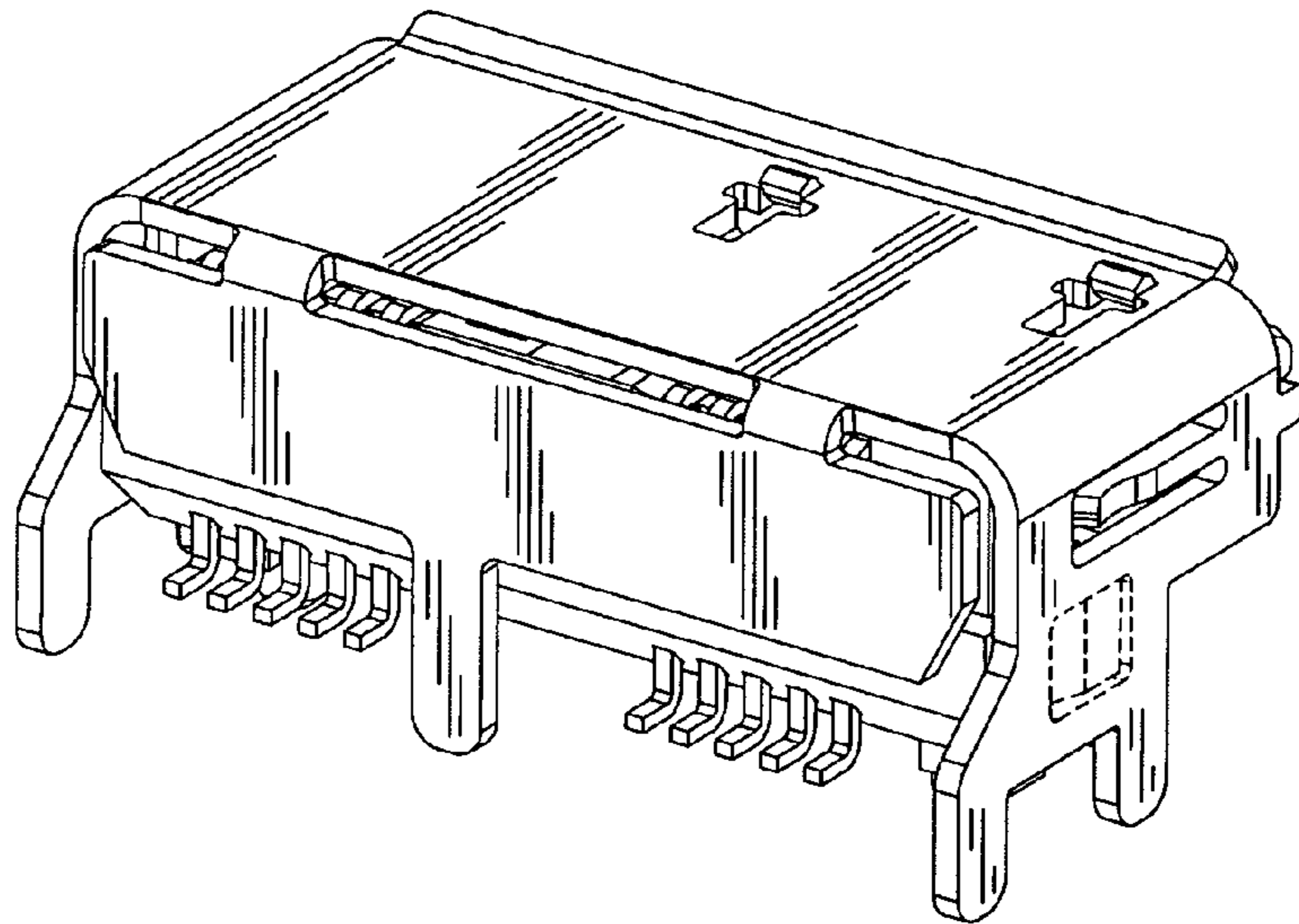


FIG. 8