



US00D642984S

(12) **United States Design Patent**
Sasaki et al.

(10) **Patent No.:** **US D642,984 S**

(45) **Date of Patent:** **** *Aug. 9, 2011**

(54) **ELECTRICAL CONNECTOR**

(75) Inventors: **Daisuke Sasaki**, Isesaki (JP); **Junichi Arai**, Isesaki (JP)

(73) Assignee: **Hosiden Corporation**, Yao-shi (JP)

(*) Notice: This patent is subject to a terminal disclaimer.

(**) Term: **14 Years**

(21) Appl. No.: **29/369,613**

(22) Filed: **Sep. 10, 2010**

(30) **Foreign Application Priority Data**

Mar. 12, 2010 (JP) 2010-006056

(51) **LOC (9) Cl.** **13-03**

(52) **U.S. Cl.** **D13/147**

(58) **Field of Classification Search** D13/147,
D13/153, 154, 156, 184, 199; 439/79, 83,
439/108, 352, 353, 357, 358, 607.01, 607.04,
439/607.05, 607.17, 607.25, 607.34, 607.41,
439/607.53, 660, 663, 668, 680, 686
See application file for complete search history.

(56) **References Cited**

U.S. PATENT DOCUMENTS

D412,154 S * 7/1999 Lok D13/147
D416,540 S * 11/1999 Sato et al. D13/147

D437,291 S * 2/2001 Ohtani D13/147
D447,467 S * 9/2001 Hisada et al. D13/147
D588,543 S * 3/2009 Kondo D13/147
D601,974 S * 10/2009 Igarashi D13/154
D628,537 S * 12/2010 Nagata et al. D13/147
2005/0181670 A1 * 8/2005 Kumamoto et al. 439/607
2007/0141890 A1 * 6/2007 Koyama 439/358
2009/0286419 A1 * 11/2009 Koyama et al. 439/358

* cited by examiner

Primary Examiner — Daniel Bui

(74) *Attorney, Agent, or Firm* — Kratz, Quintos & Hanson, LLP

(57) **CLAIM**

The ornamental design for an electrical connector, as shown and described.

DESCRIPTION

FIG. 1 is a front elevation view of an electrical connector showing our new design;
FIG. 2 is a back elevation view thereof;
FIG. 3 is a top plan view thereof;
FIG. 4 is a bottom plan view thereof;
FIG. 5 is a right side elevation view thereof;
FIG. 6 is a left side elevation view thereof;
FIG. 7 is a top, front and right side perspective view thereof; and,
FIG. 8 is a top, back and left side perspective view thereof.
The broken line shown in the drawing is included for the purpose of illustrating environment and forms no part of the claimed design.

1 Claim, 8 Drawing Sheets

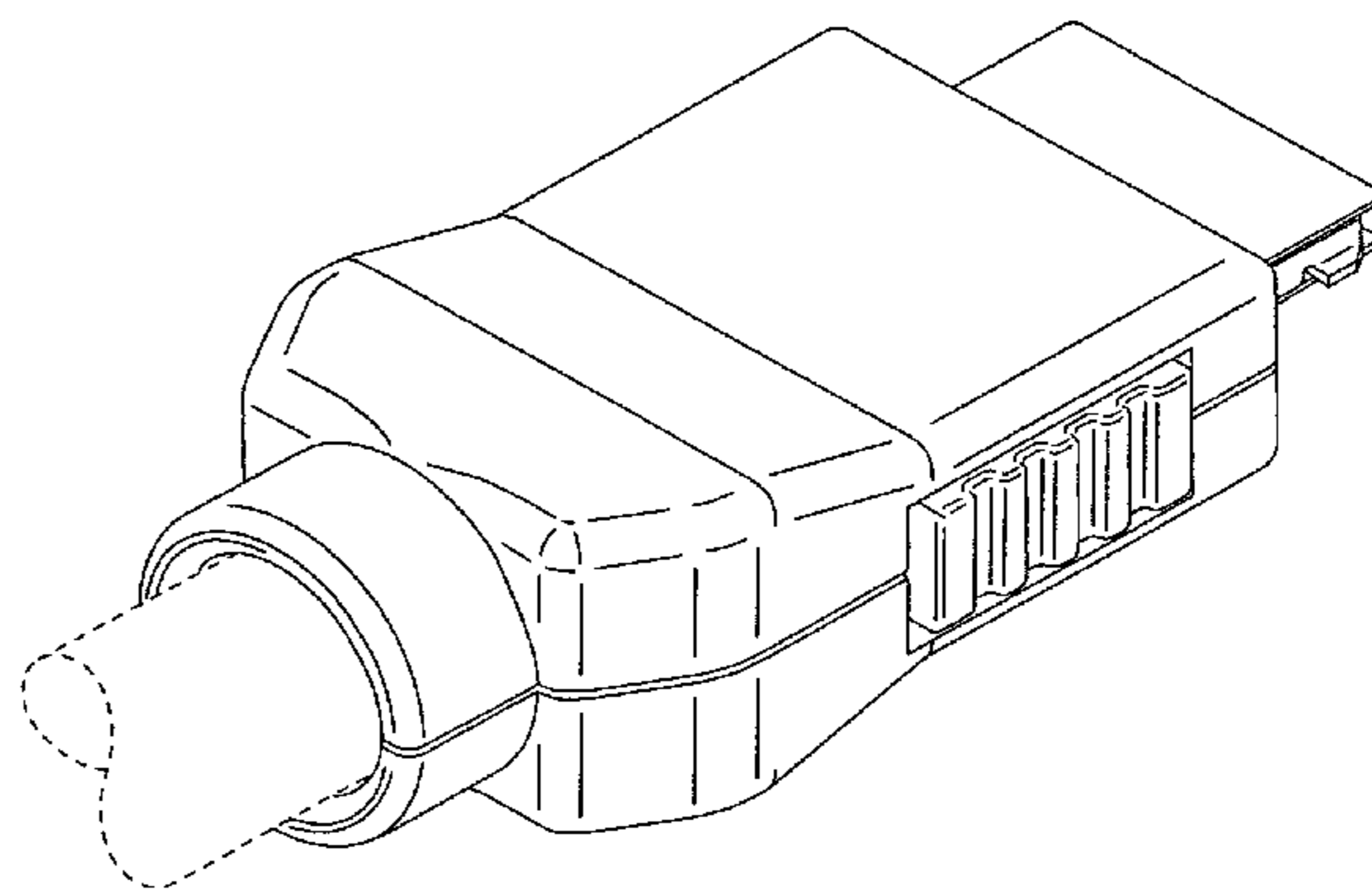
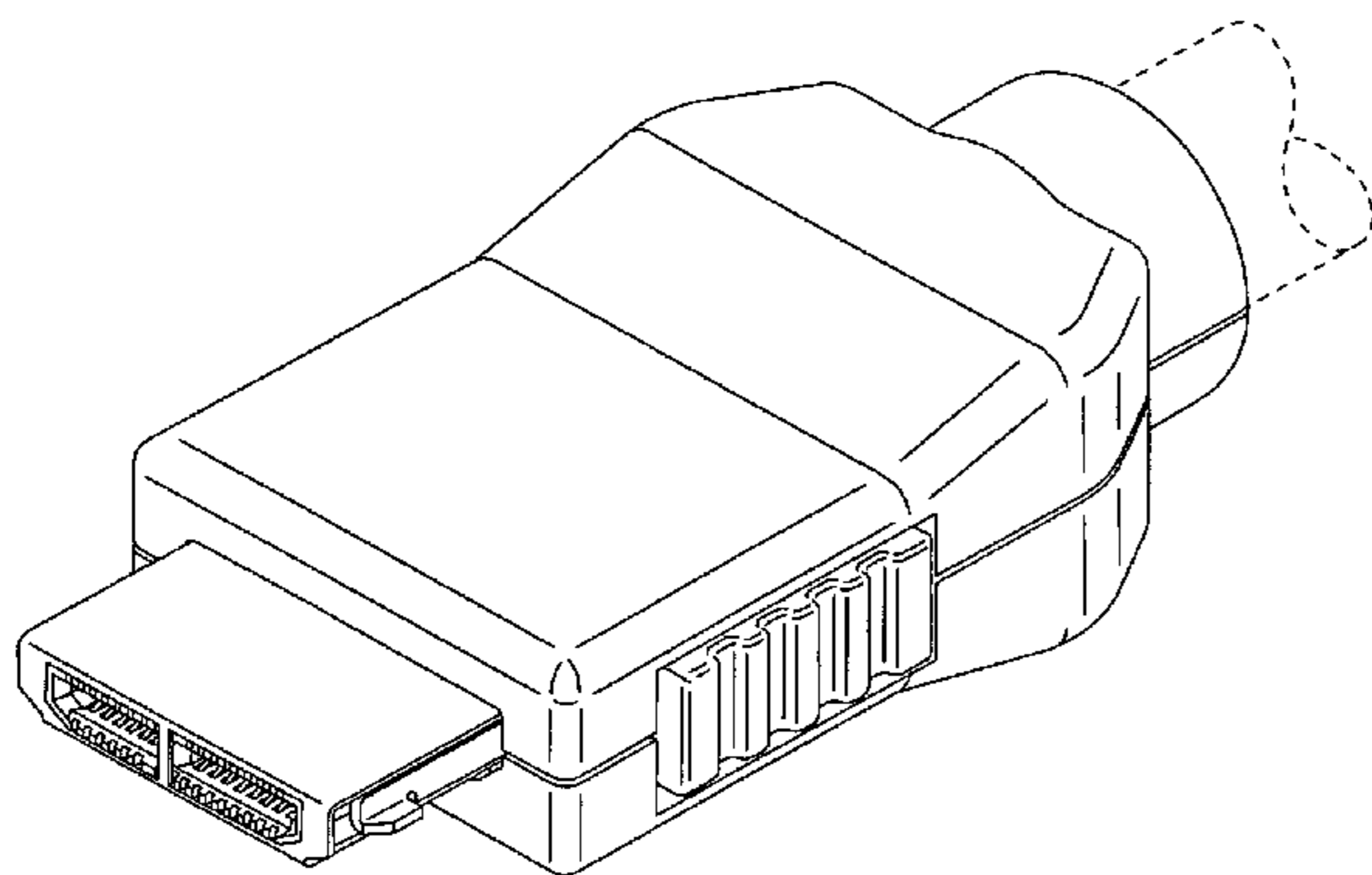


Fig. 1

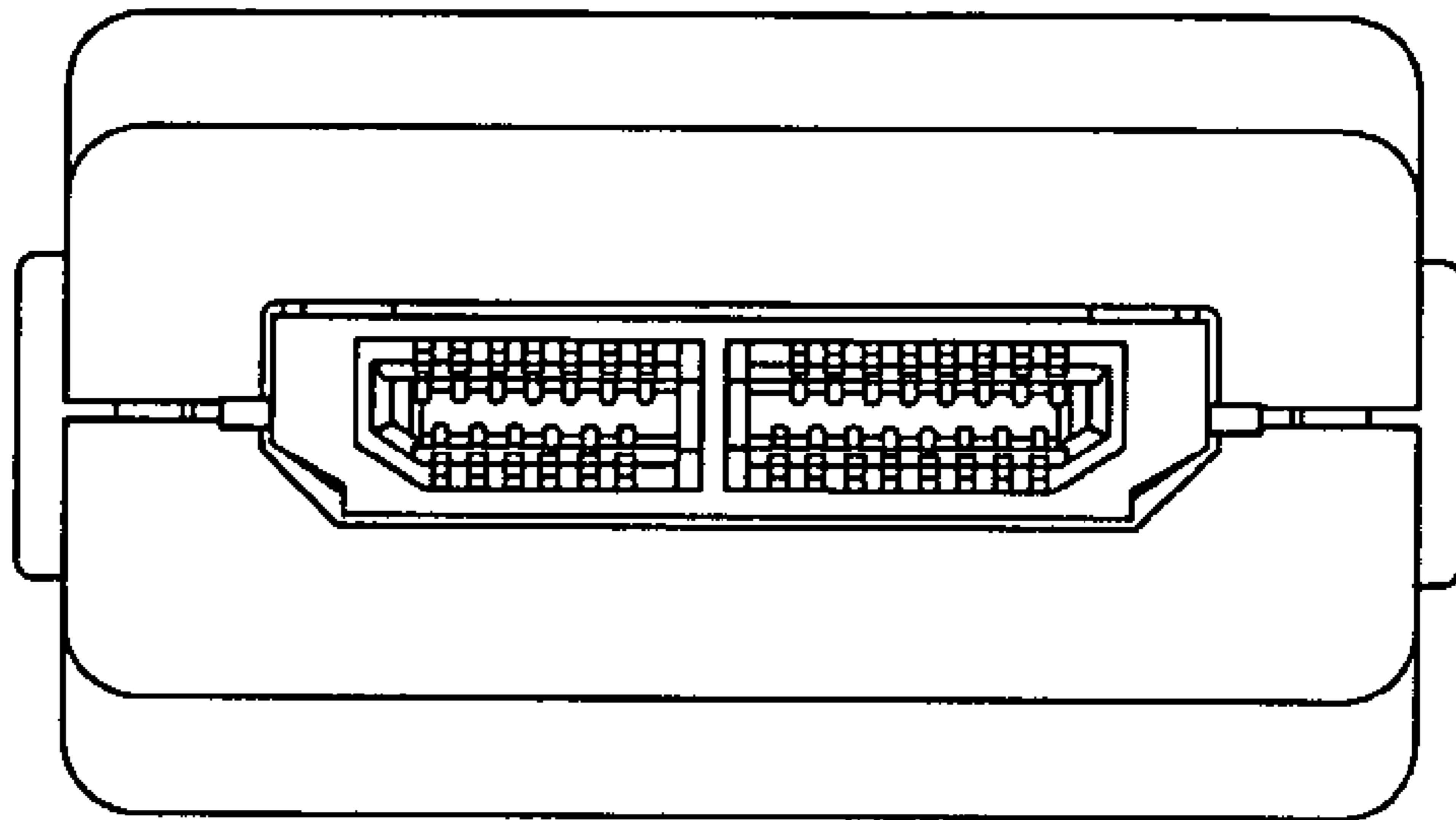


Fig. 2

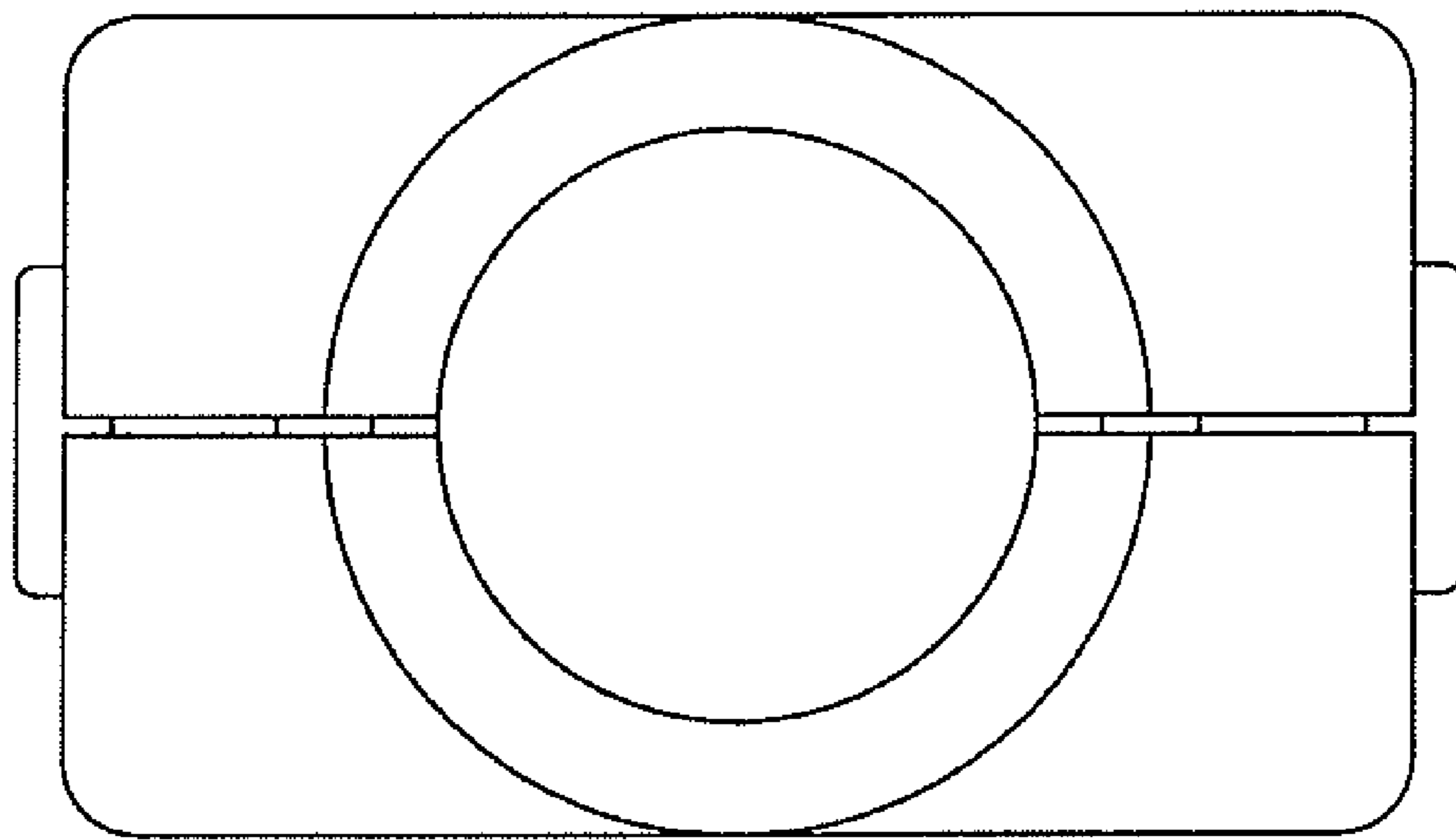


Fig. 3

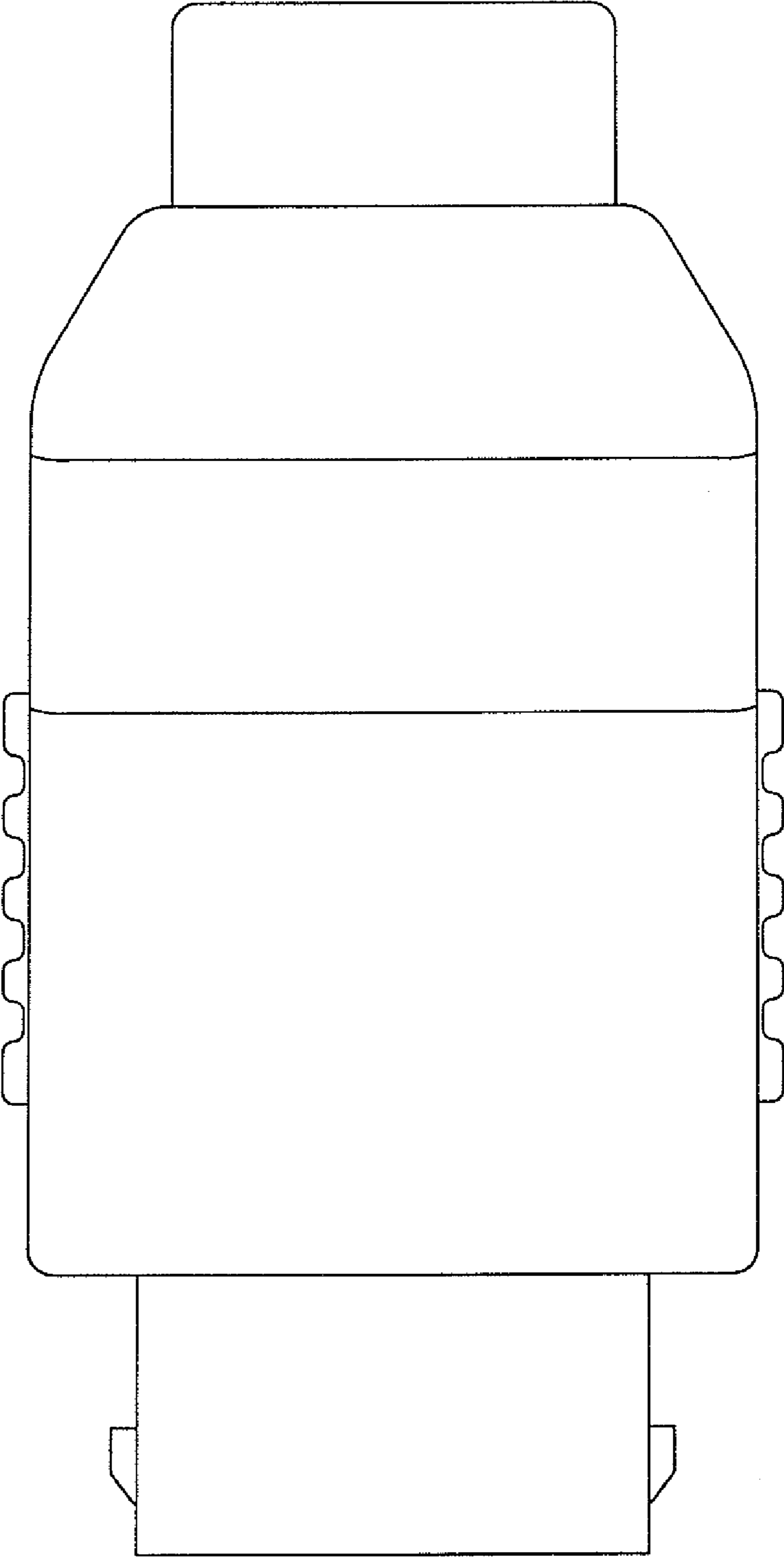


Fig. 4

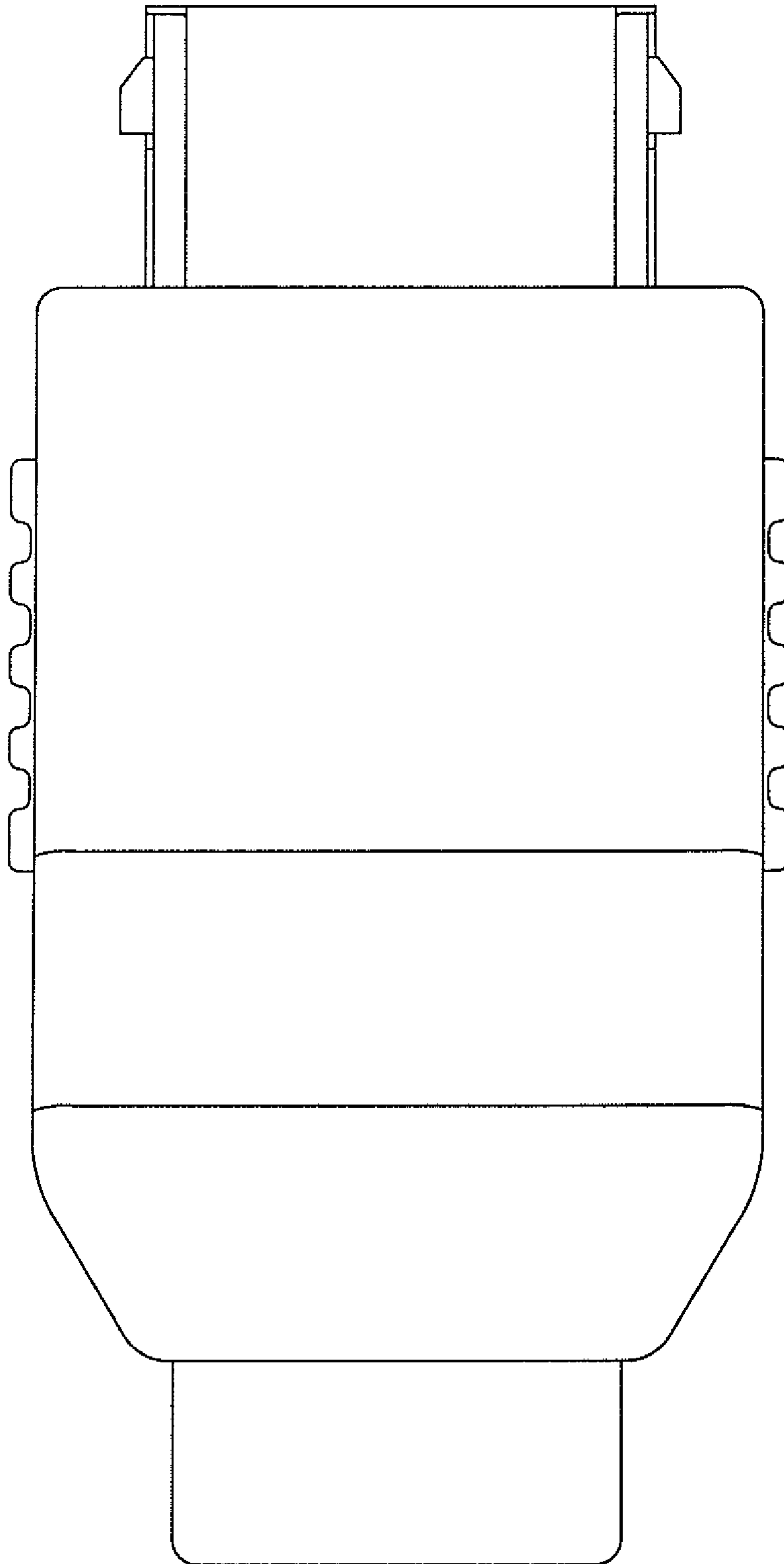


Fig. 5

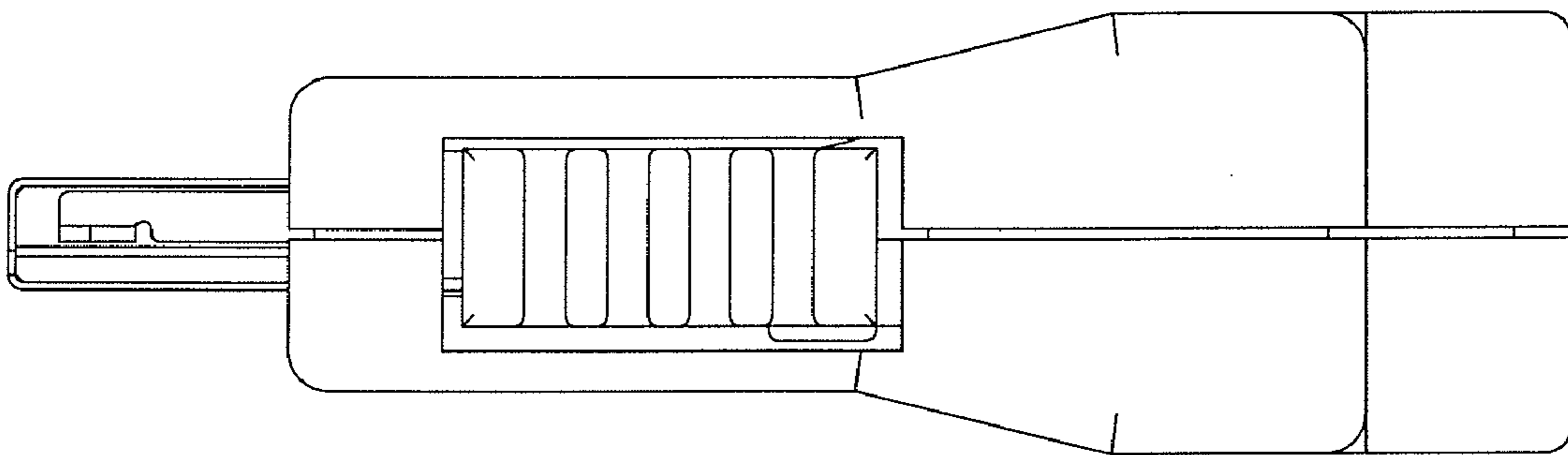


Fig. 6

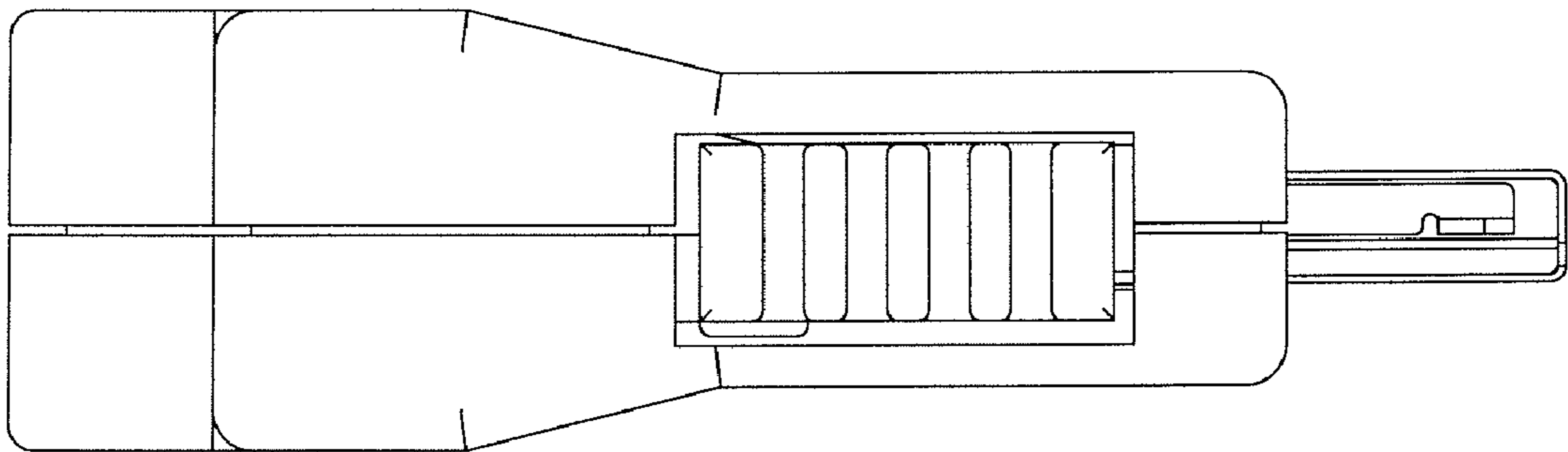


Fig. 7

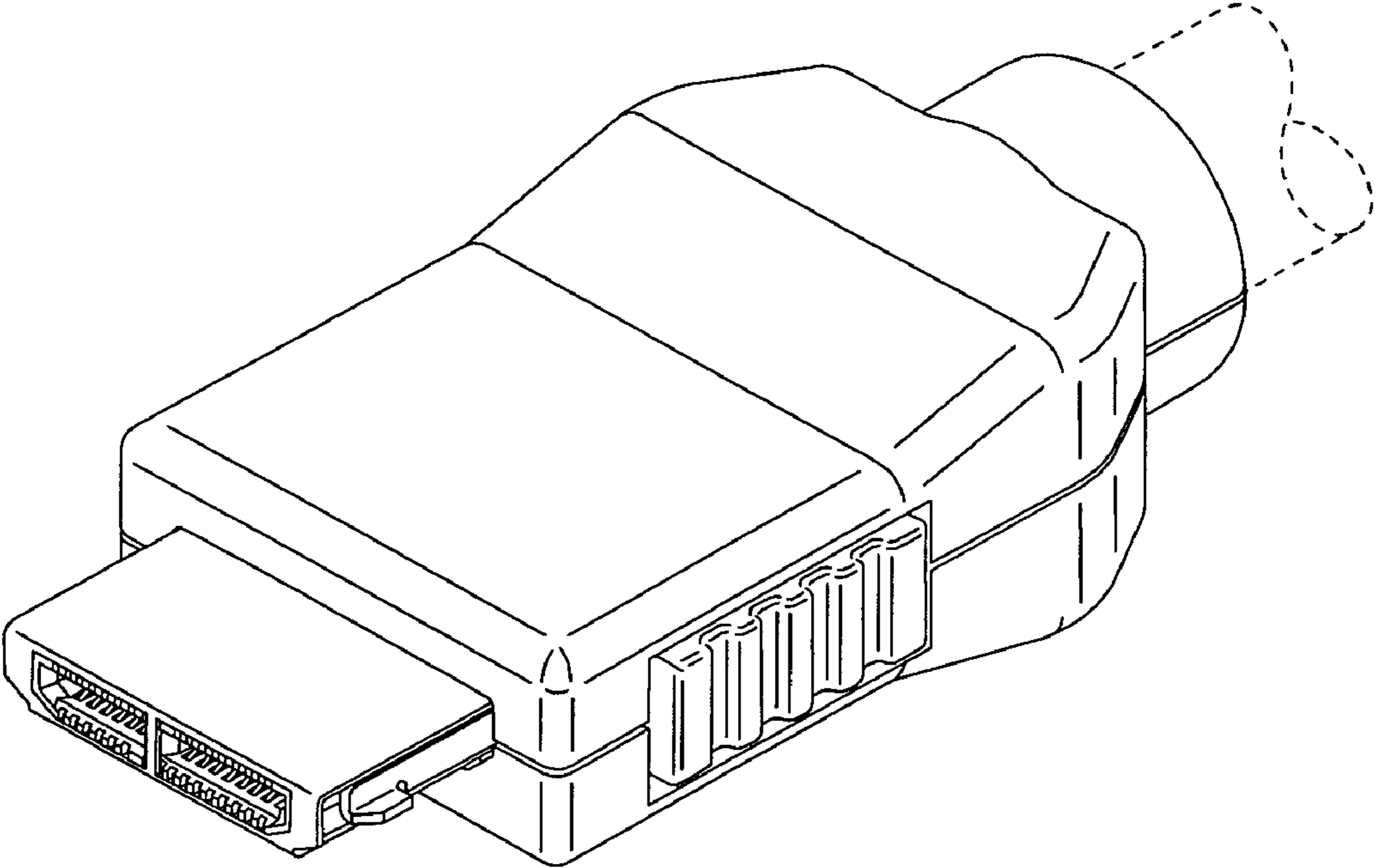


Fig. 8

