



US00D642981S

(12) **United States Design Patent**
de Bruijn et al.

(10) **Patent No.:** **US D642,981 S**

(45) **Date of Patent:** **** *Aug. 9, 2011**

(54) **ELECTRICAL TERMINAL**

(75) Inventors: **Jeroen de Bruijn**, Loon Op Zand (NL);
Thierry Goossens, Herdersem-Aalst
(BE); **Johannes Maria Blasius van**
Woensel, Rosmalen (NL)

(73) Assignee: **FCI**, Guyancourt (FR)

(*) Notice: This patent is subject to a terminal dis-
claimer.

(**) Term: **14 Years**

(21) Appl. No.: **29/369,333**

(22) Filed: **Sep. 7, 2010**

(51) **LOC (9) Cl.** **13-03**

(52) **U.S. Cl.** **D13/120; D13/133; D13/154**

(58) **Field of Classification Search** D13/103–106,
D13/118–121, 133, 146, 147, 154, 184, 199;
439/844, 849, 850–852, 865–867, 870, 877,
439/884–891

See application file for complete search history.

(56) **References Cited**

U.S. PATENT DOCUMENTS

5,567,545	A	10/1996	Murakami
5,631,098	A	5/1997	Suzuki
D408,353	S	4/1999	Yoshiura
D409,143	S	5/1999	Yoshiura
D410,226	S	5/1999	Yoshiura
6,129,168	A	10/2000	Lotito et al.
D481,996	S	11/2003	Kihira et al.
6,835,089	B2	12/2004	Hayes et al.
6,932,382	B2	8/2005	Hayes et al.
D555,093	S	11/2007	Chien et al.
D555,095	S	11/2007	Ho
D555,131	S	11/2007	Kim et al.
D568,246	S	5/2008	Wu et al.
D569,343	S	5/2008	Hung et al.
D569,801	S	5/2008	Chuang
D569,802	S	5/2008	Long et al.
D582,348	S	12/2008	Shiu
D601,970	S	10/2009	Peng et al.

D601,971	S	10/2009	Chen et al.
D603,795	S	11/2009	Kono
D605,137	S	12/2009	Yu et al.
D607,834	S	1/2010	Huang
D607,835	S	1/2010	Huang
D608,295	S	1/2010	Huang
7,662,507	B2	2/2010	Schwendinger et al.
D614,493	S	4/2010	Creed et al.
D614,507	S	4/2010	Lukan et al.
D614,583	S	4/2010	Wang
D615,943	S	5/2010	Kang
2004/0038121	A1	2/2004	Song et al.
2007/0243458	A1	10/2007	Roehm et al.
2008/0193837	A1	8/2008	Lu

Primary Examiner — Rosemary K Tarcza

(74) *Attorney, Agent, or Firm* — Woodcock Washburn LLP

(57) **CLAIM**

The ornamental design for an electrical terminal, as shown
and described.

DESCRIPTION

The present application is related by subject matter to U.S.
design patent application Ser. No. 29/369,322, filed on Sep. 7,
2010; U.S. design application Ser. No. 29/384,323 filed Jan.
28, 2011; and U.S. design application Ser. No. 29/384,325
filed on Jan. 28, 2011.

FIG. 1 is a top, right, front perspective view of an electrical
terminal according to our design;

FIG. 2 is a bottom, left, rear perspective view thereof;

FIG. 3 is a front elevation view thereof;

FIG. 4 is a left side elevation view thereof; and

FIG. 5 is a rear elevation view thereof.

FIG. 6 is a right side elevation view thereof;

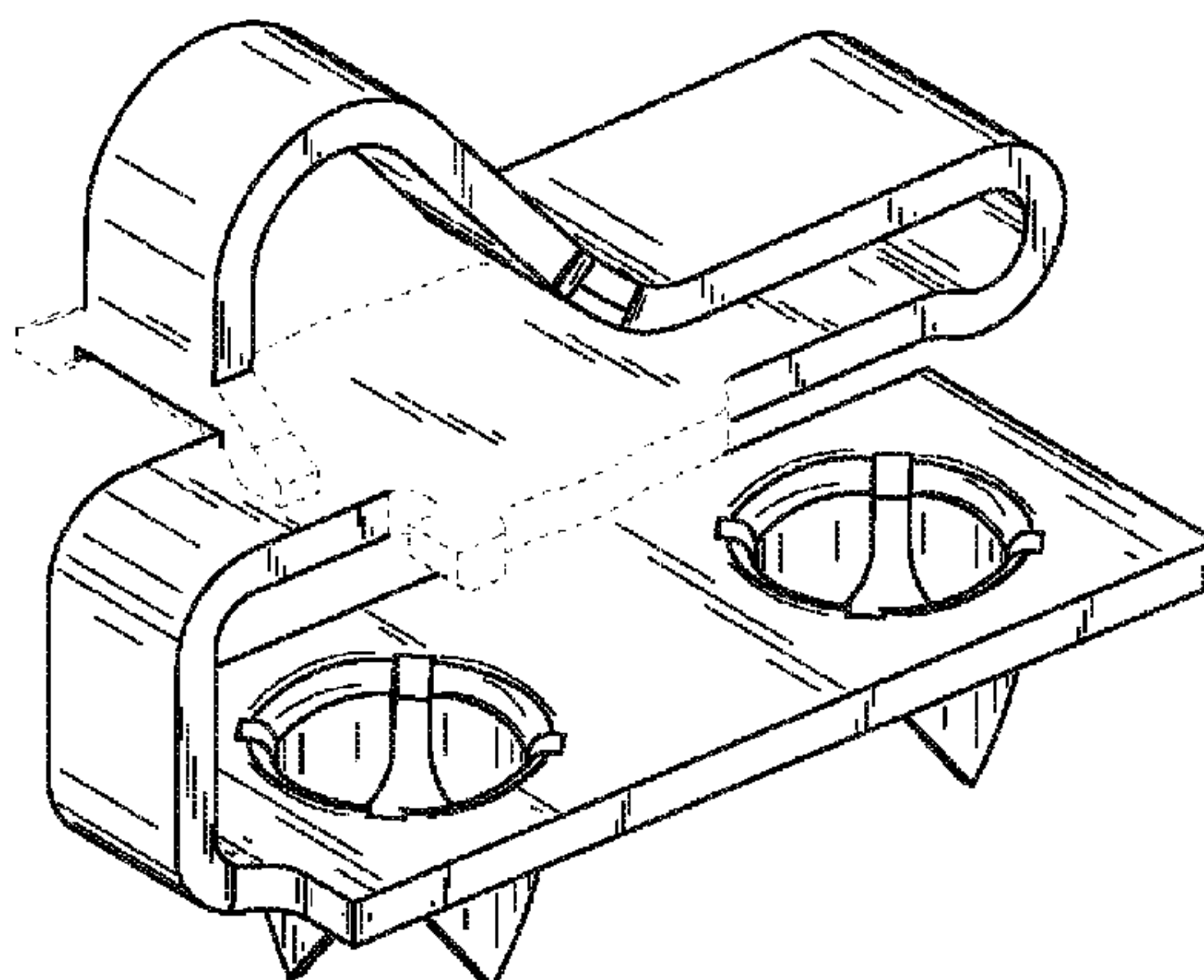
FIG. 7 is a top plan view thereof; and,

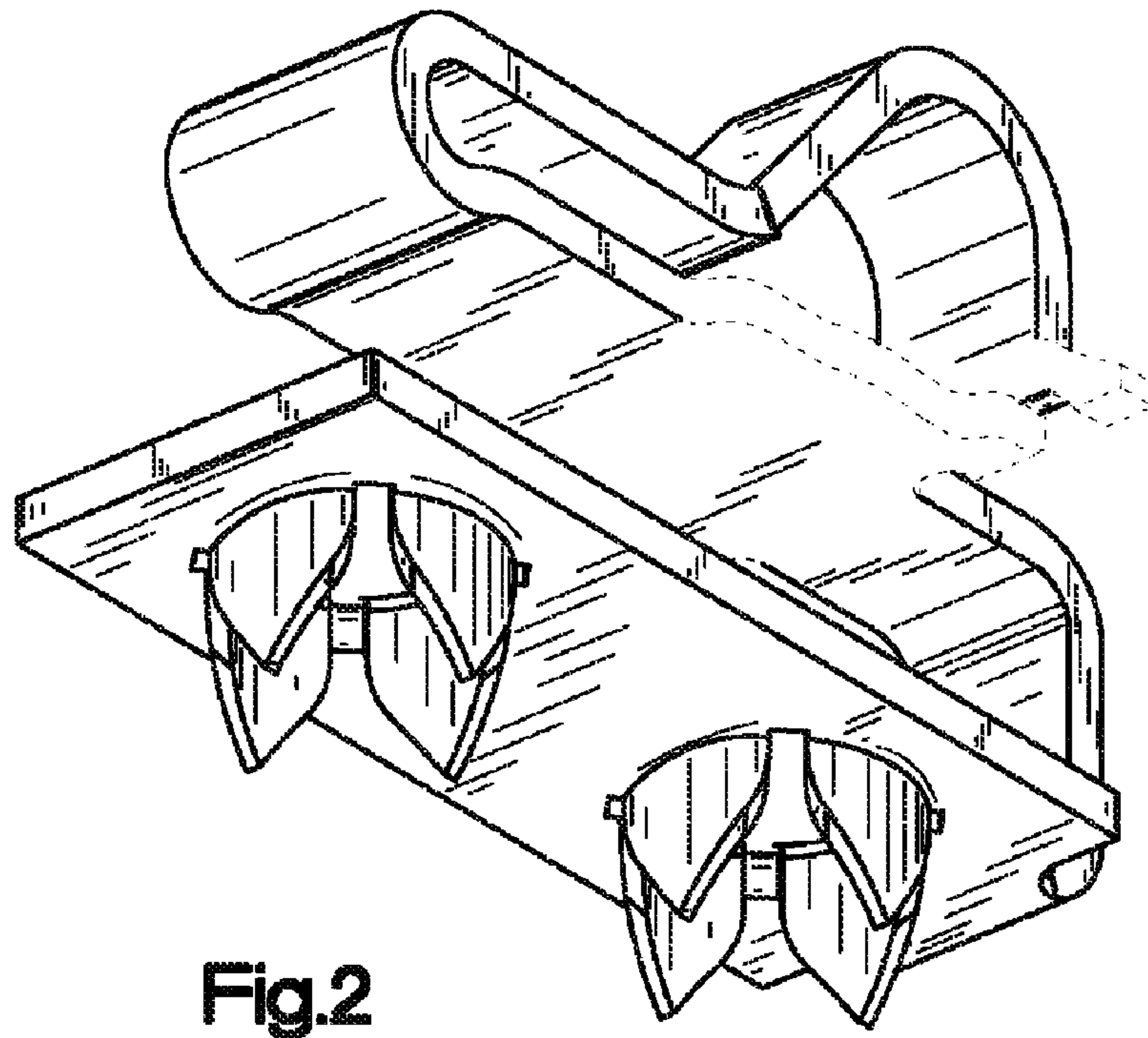
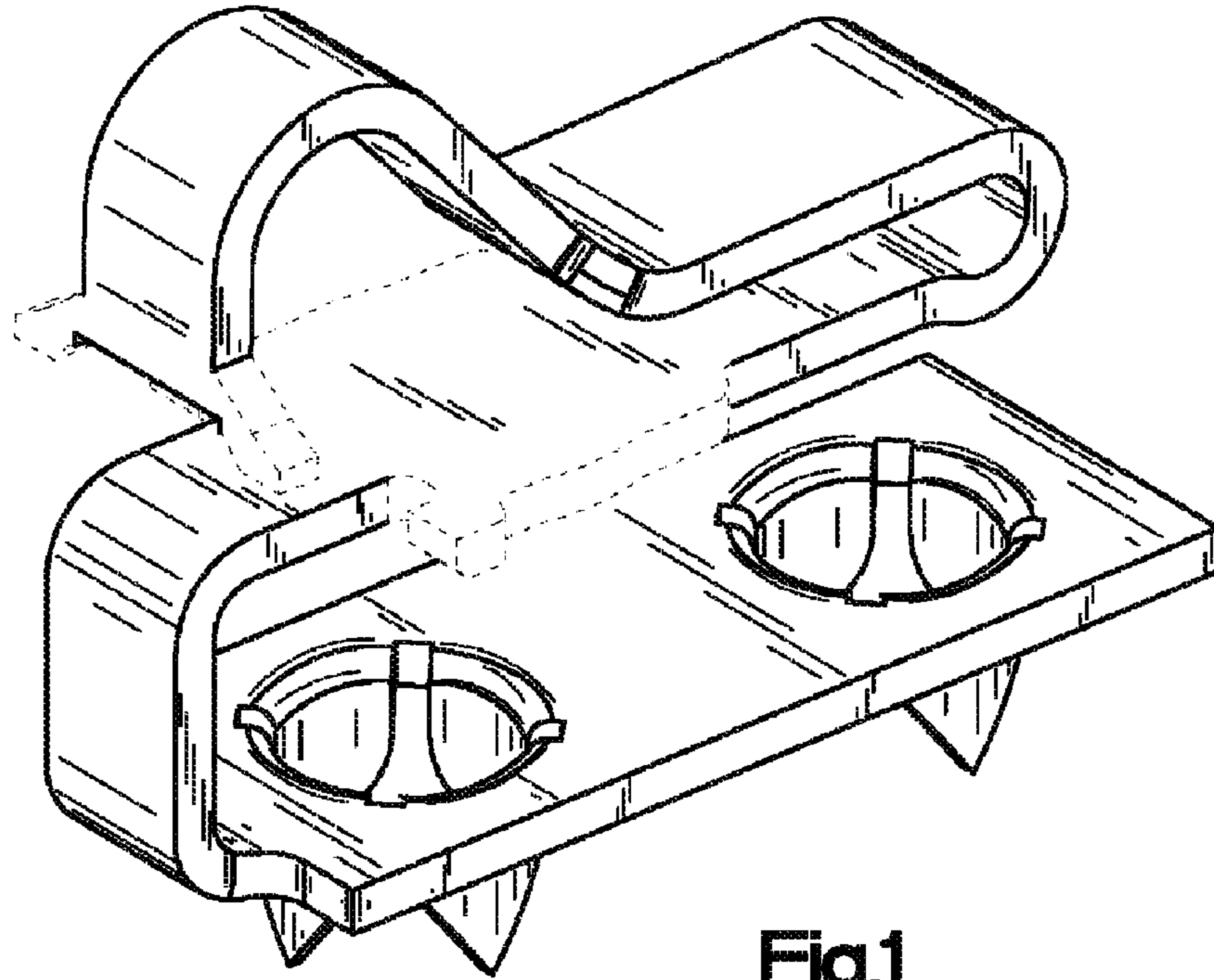
FIG. 8 is a bottom plan view thereof.

The broken line portion of the figure drawings is included to
show unclaimed subject matter only and forms no part of the
claimed design.

In a preferred embodiment, the nature of this product is an
electrical terminal configured for electrically connecting to
an electrical devices.

1 Claim, 3 Drawing Sheets





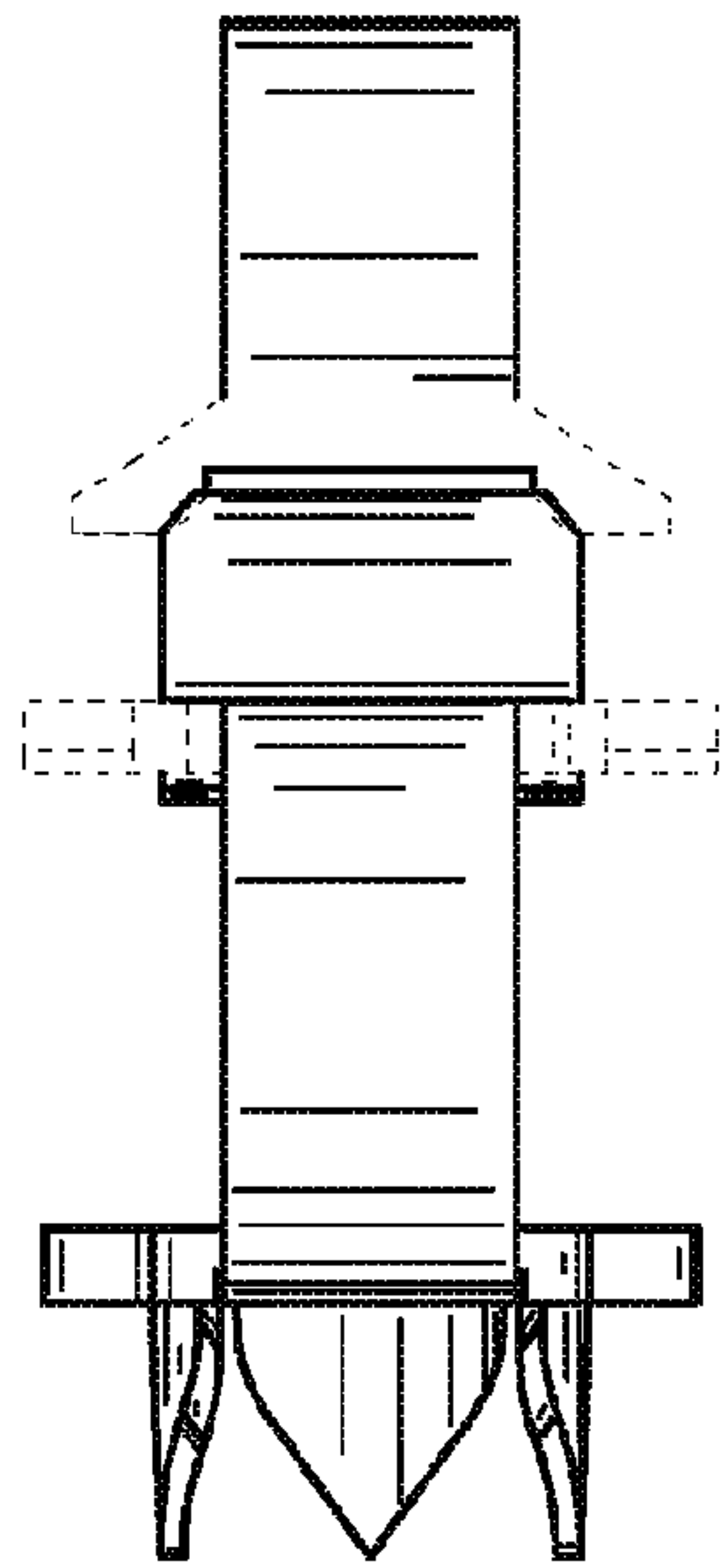


Fig.3

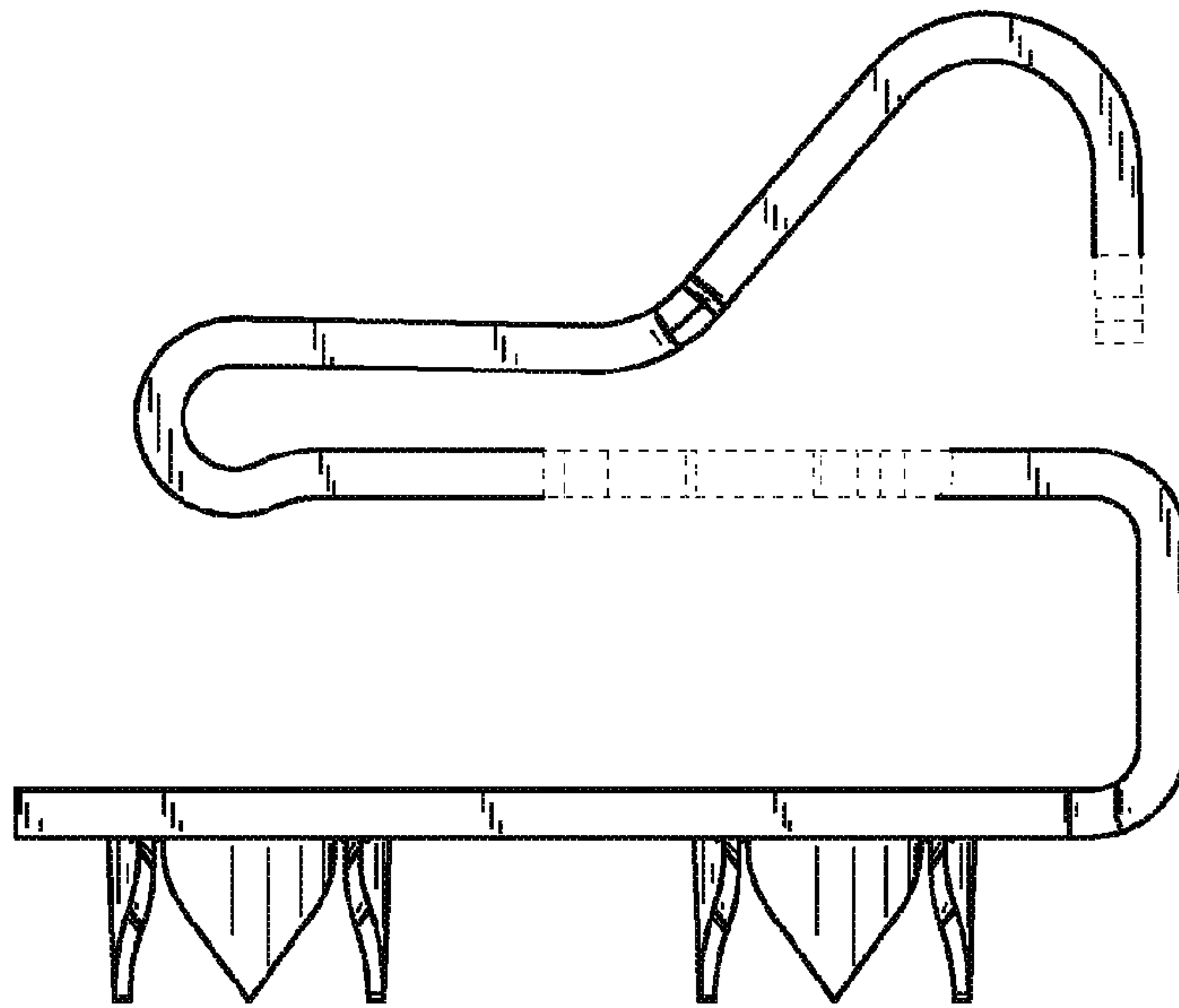


Fig.4

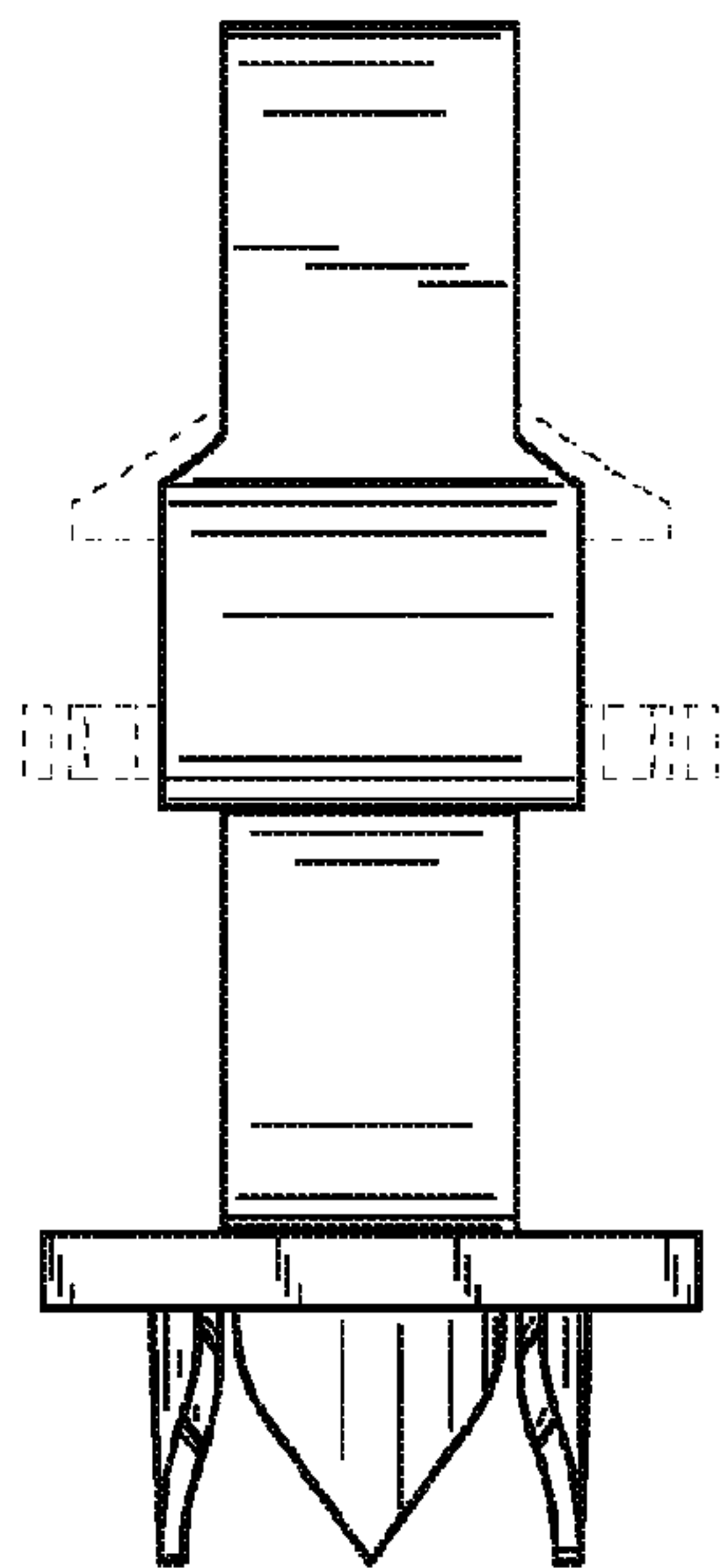


Fig.5

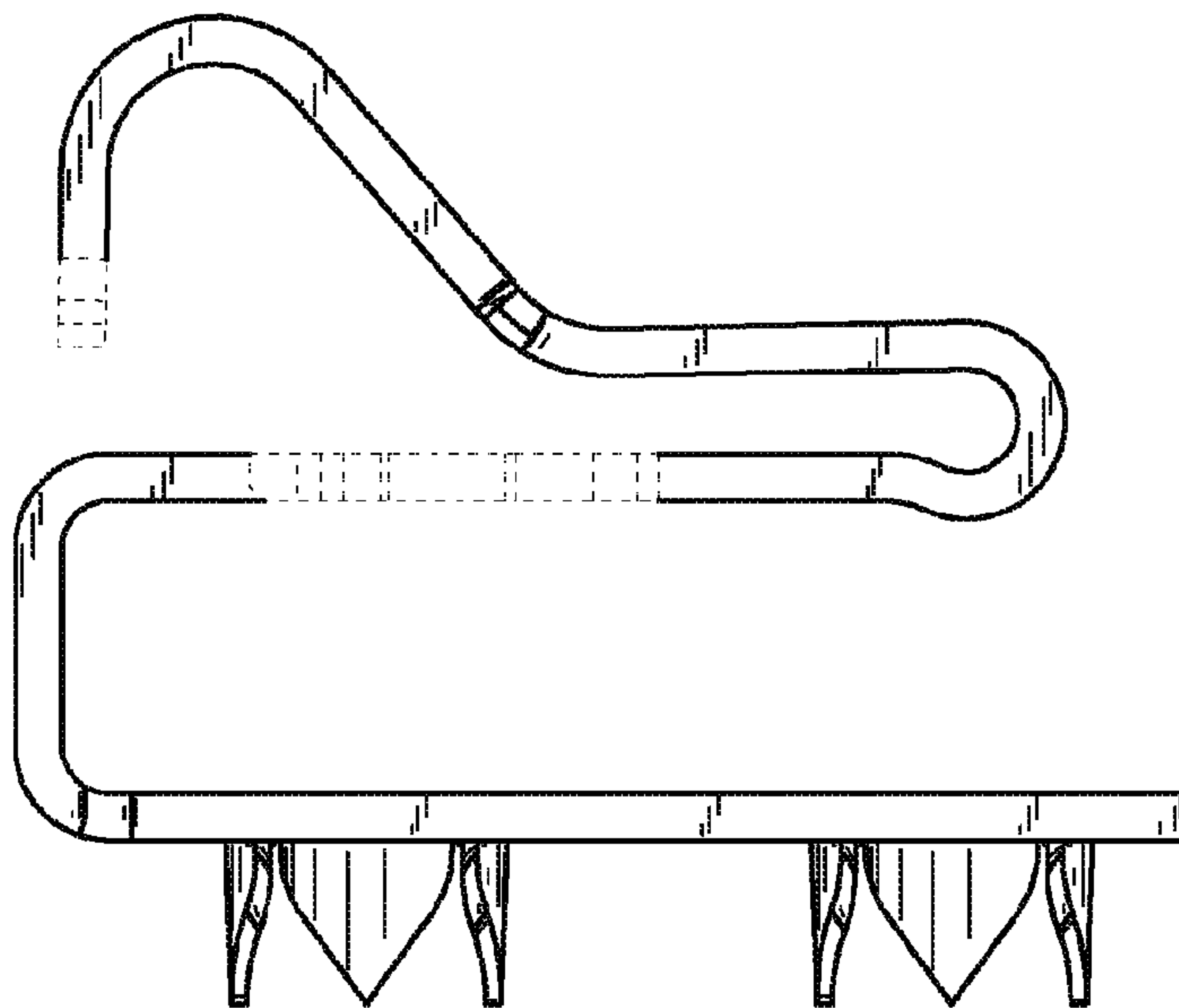


Fig.6

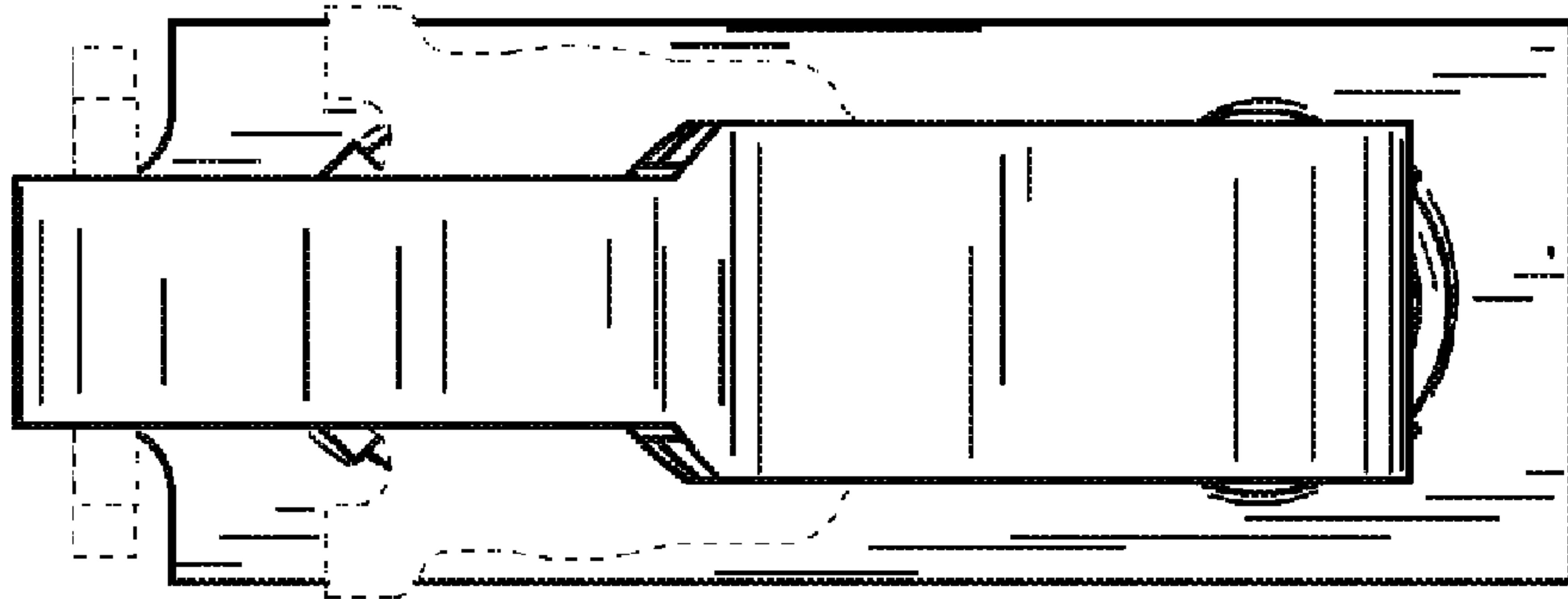


Fig.7

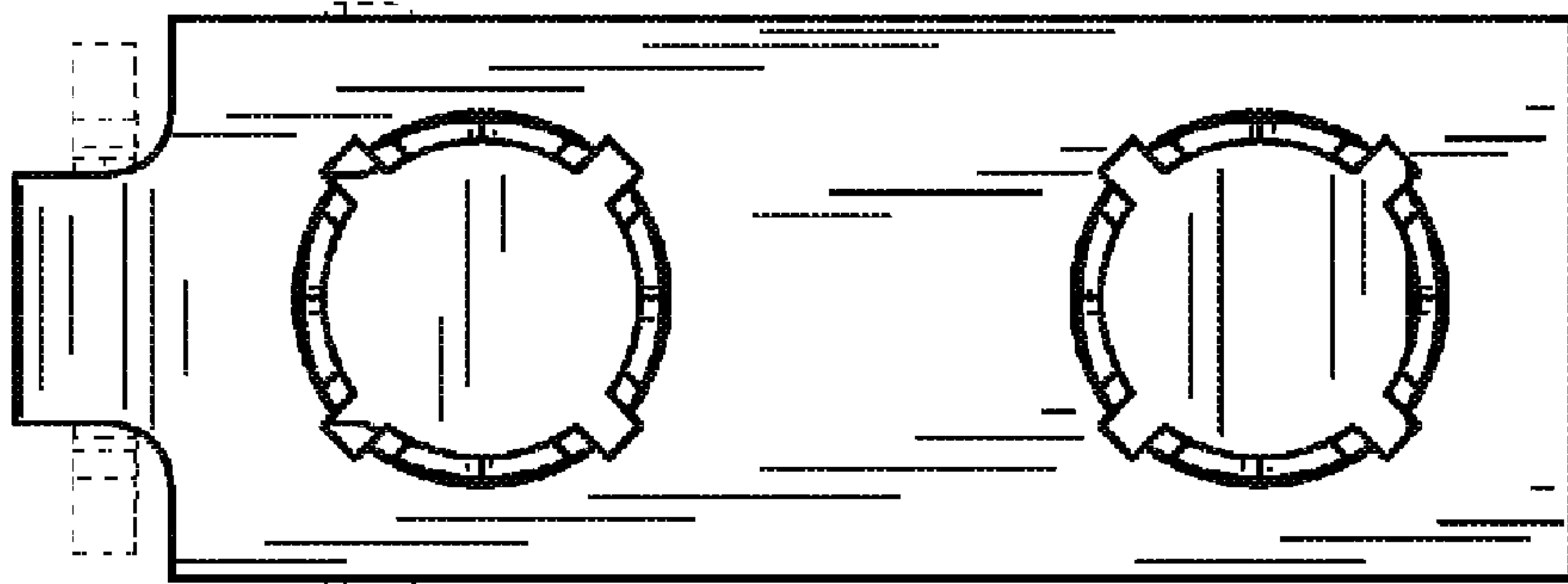


Fig.8

UNITED STATES PATENT AND TRADEMARK OFFICE
CERTIFICATE OF CORRECTION

PATENT NO. : D642,981 S
APPLICATION NO. : 29/369333
DATED : August 9, 2011
INVENTOR(S) : Jeroen de Bruijn et al.

Page 1 of 1

It is certified that error appears in the above-identified patent and that said Letters Patent is hereby corrected as shown below:

On the Title Page, Item DESCRIPTION, last word of last paragraph, delete “devices” and substitute therefor -- device --

Signed and Sealed this
Thirteenth Day of September, 2011

A handwritten signature in black ink that reads "David J. Kappos". The signature is written in a cursive style with a large initial 'D' and 'K'.

David J. Kappos
Director of the United States Patent and Trademark Office