



US00D642980S

(12) **United States Design Patent**  
**Inaba**

(10) **Patent No.:** **US D642,980 S**

(45) **Date of Patent:** **\*\* Aug. 9, 2011**

(54) **BATTERY**

(75) Inventor: **Takuya Inaba**, Tokyo (JP)

(73) Assignee: **Sony Corporation**, Tokyo (JP)

(\*\*) Term: **14 Years**

(21) Appl. No.: **29/347,470**

(22) Filed: **Jan. 29, 2010**

(30) **Foreign Application Priority Data**

Dec. 24, 2009	(JP)	.....	D2009-029882
Dec. 24, 2009	(JP)	.....	D2009-029883
Dec. 24, 2009	(JP)	.....	D2009-029884
Dec. 24, 2009	(JP)	.....	D2009-029885
Dec. 24, 2009	(JP)	.....	D2009-029886
Dec. 24, 2009	(JP)	.....	D2009-029887
Jan. 4, 2010	(CN)	.....	2010 3 0001413

(51) **LOC (9) Cl.** ..... **13-02**

(52) **U.S. Cl.** ..... **D13/119**

(58) **Field of Classification Search** ..... D13/102-106,  
D13/110, 118-121, 184, 199; 429/96-100,  
429/163, 176, 187

See application file for complete search history.

(56) **References Cited**

U.S. PATENT DOCUMENTS

D284,463	S	*	7/1986	Perkins et al.	.....	D13/104
D340,907	S	*	11/1993	Smith et al.	.....	D13/110
5,317,462	A	*	5/1994	Kakizaki et al.	.....	360/97.02
D356,994	S	*	4/1995	Tamaki	.....	D13/110
5,415,947	A	*	5/1995	Mitsui et al.	.....	429/1
D361,310	S	*	8/1995	Kawamura	.....	D13/110
D362,839	S	*	10/1995	Tamaki	.....	D13/110
D363,055	S	*	10/1995	Kobayashi et al.	.....	
D369,778	S	*	5/1996	Tamaki	.....	D13/110
D377,477	S	*	1/1997	Harata et al.	.....	D13/103
D392,614	S	*	3/1998	Shimizu et al.	.....	

D423,449	S	*	4/2000	Naskali	.....	D13/103
D432,982	S	*	10/2000	Miyashita	.....	D13/103
D446,183	S	*	8/2001	Miyashita	.....	
D461,163	S	*	8/2002	Hirano et al.	.....	
D469,059	S	*	1/2003	Ando et al.	.....	D13/110

(Continued)

FOREIGN PATENT DOCUMENTS

JP D1141456 S 5/2002

(Continued)

OTHER PUBLICATIONS

Webpage, "Battery," [http://www.kohls.com/upgrade/webstore/zoom\\_popup.jsp?productId=845524892463327](http://www.kohls.com/upgrade/webstore/zoom_popup.jsp?productId=845524892463327) (Office Action mailed by Japan Patent Office ("JPO") assigned as JPO Design Division Prior Art Document No. HJ20072657(Mar. 2009).

*Primary Examiner* — Rosemary K Tarcza

(74) *Attorney, Agent, or Firm* — Rader, Fishman & Grauer PLLC

(57) **CLAIM**

The ornamental design for a battery, as shown and described.

**DESCRIPTION**

FIG. 1 is a front, top, right perspective view of a battery showing my new design;

FIG. 2 is a rear, top, right perspective view thereof;

FIG. 3 is a front elevational view thereof;

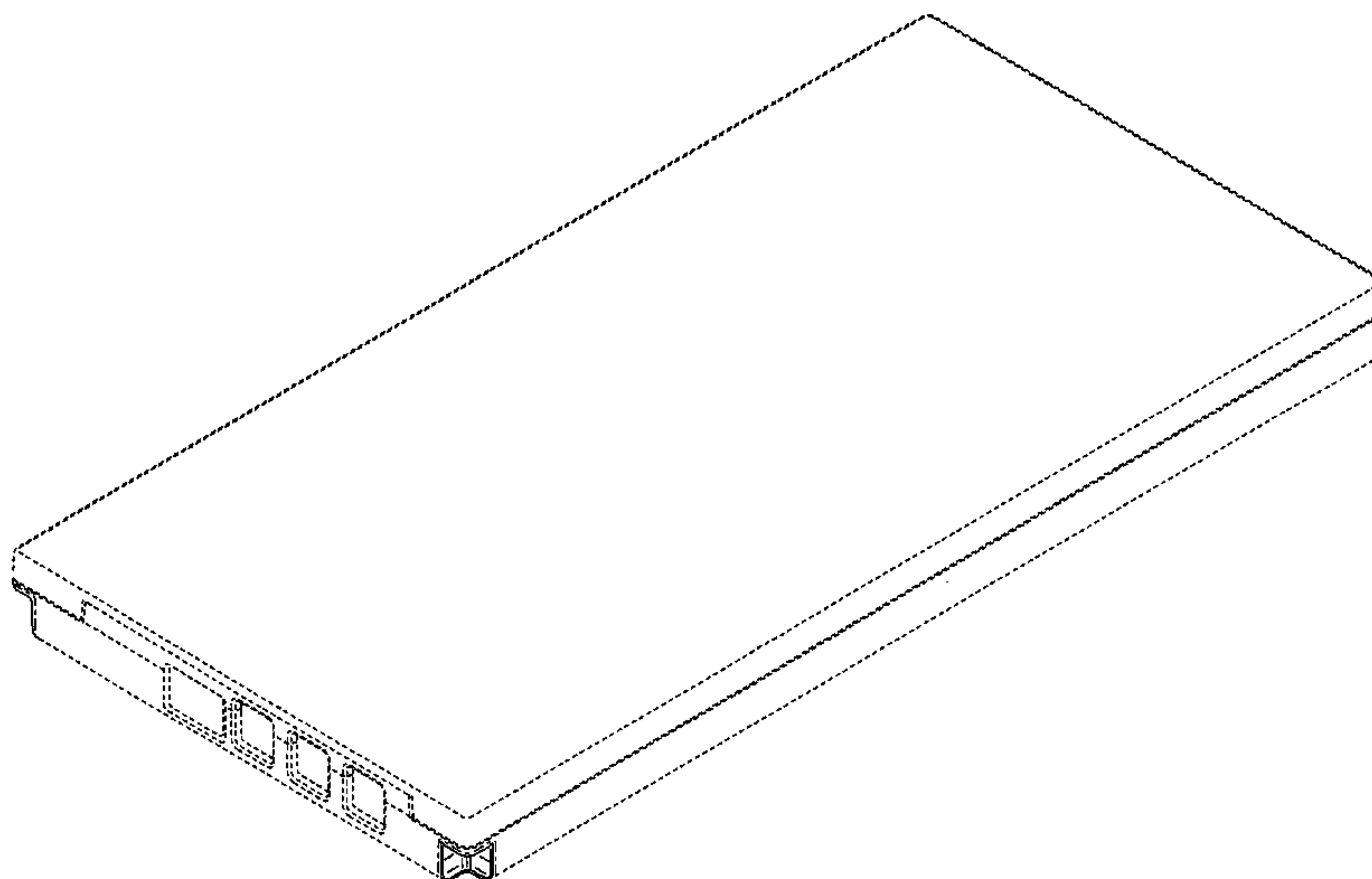
FIG. 4 is a left side elevational view thereof;

FIG. 5 is a right side elevational view thereof; and,

FIG. 6 is a bottom plan view thereof.

The broken lines shown in the drawings are included for the purpose of illustrating unclaimed portions of the battery and form no part of the claimed design. The dot-dash broken lines define but are not included in, the boundaries of the claimed design.

**1 Claim, 5 Drawing Sheets**



# US D642,980 S

Page 2

## U.S. PATENT DOCUMENTS

D503,149 S \* 3/2005 Teramae et al. .... D13/110  
D503,922 S \* 4/2005 Shimizu  
D504,109 S \* 4/2005 Hagman et al. .... D13/103  
D509,182 S \* 9/2005 Takeshita et al. .... D13/103  
D515,499 S \* 2/2006 Matsuda et al. .... D13/103  
D516,503 S \* 3/2006 Takeshita et al. .... D13/103  
D529,437 S \* 10/2006 Miyashita ..... D13/103  
D590,334 S 4/2009 Tatehata et al.  
D590,335 S 4/2009 Tatehata et al.  
D590,336 S 4/2009 Tatehata et al.  
D590,337 S 4/2009 Tatehata et al.  
D590,769 S 4/2009 Tatehata et al.  
D592,130 S 5/2009 Tatehata et al.  
D601,494 S \* 10/2009 Otani et al. .... D13/103  
D604,696 S \* 11/2009 Tasai ..... D13/104  
D610,083 S \* 2/2010 Chen et al. .... D13/104  
D614,126 S \* 4/2010 Chen ..... D13/104  
2006/0281002 A1 \* 12/2006 Aoki et al. .... 429/99  
2008/0166628 A1 \* 7/2008 Kim et al. .... 429/163  
2008/0305367 A1 \* 12/2008 Baek et al. .... 429/7

## FOREIGN PATENT DOCUMENTS

D1141463 S 5/2002  
D1141663 S 5/2002  
D1141664 S 5/2002  
D1141665 S 5/2002  
D1161022 S 12/2002  
D1161024 S 12/2002  
D1161237 S 12/2002  
D1161239 S 12/2002  
D1161241 S 12/2002  
D1199833 S 3/2004  
D1245492 S 7/2005  
D1247044 S 8/2005  
D1247046 S 8/2005  
D1247048 S 8/2005  
D1247518 S 8/2005  
D1355276 S 4/2009

\* cited by examiner

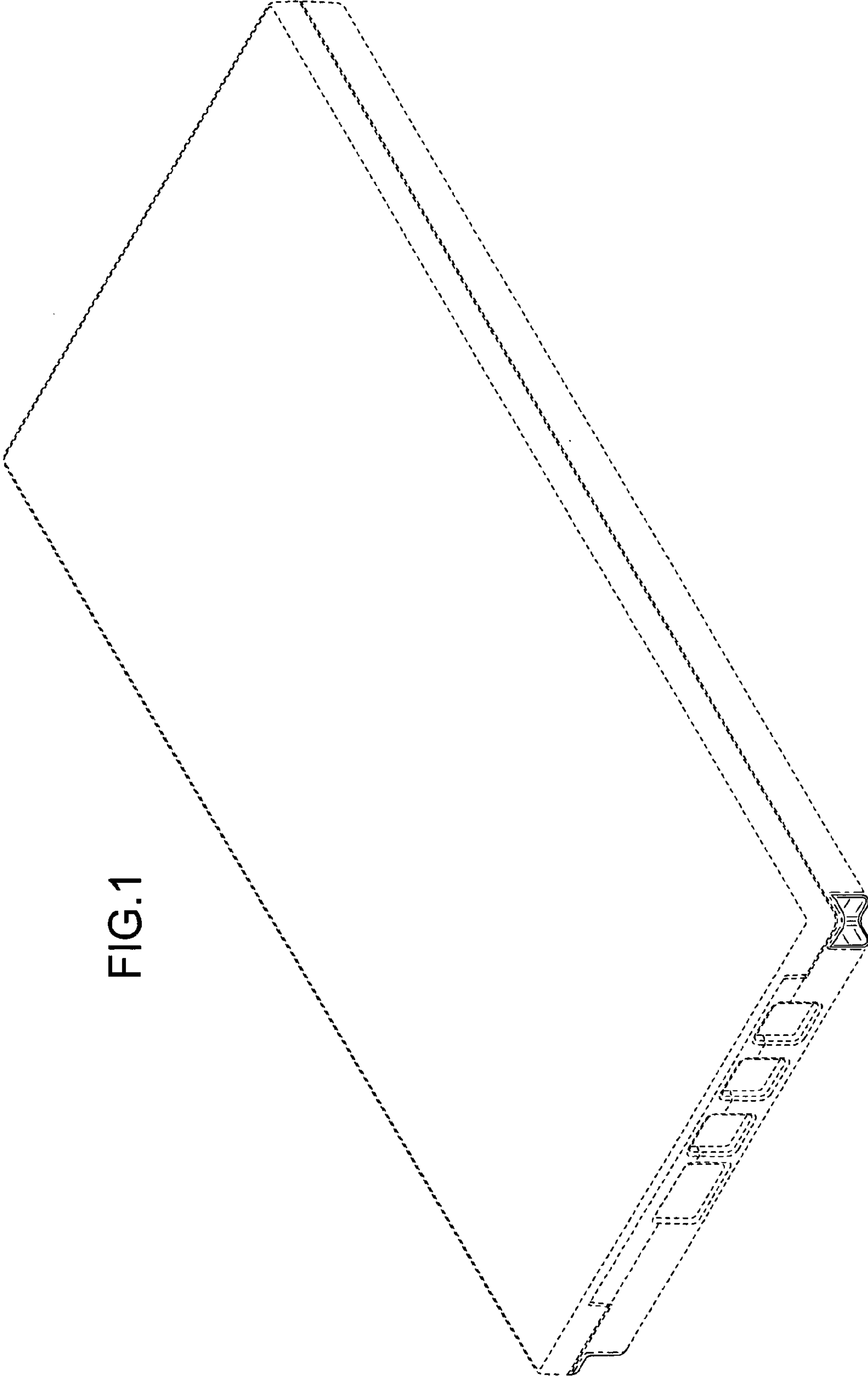


FIG.1

FIG.2

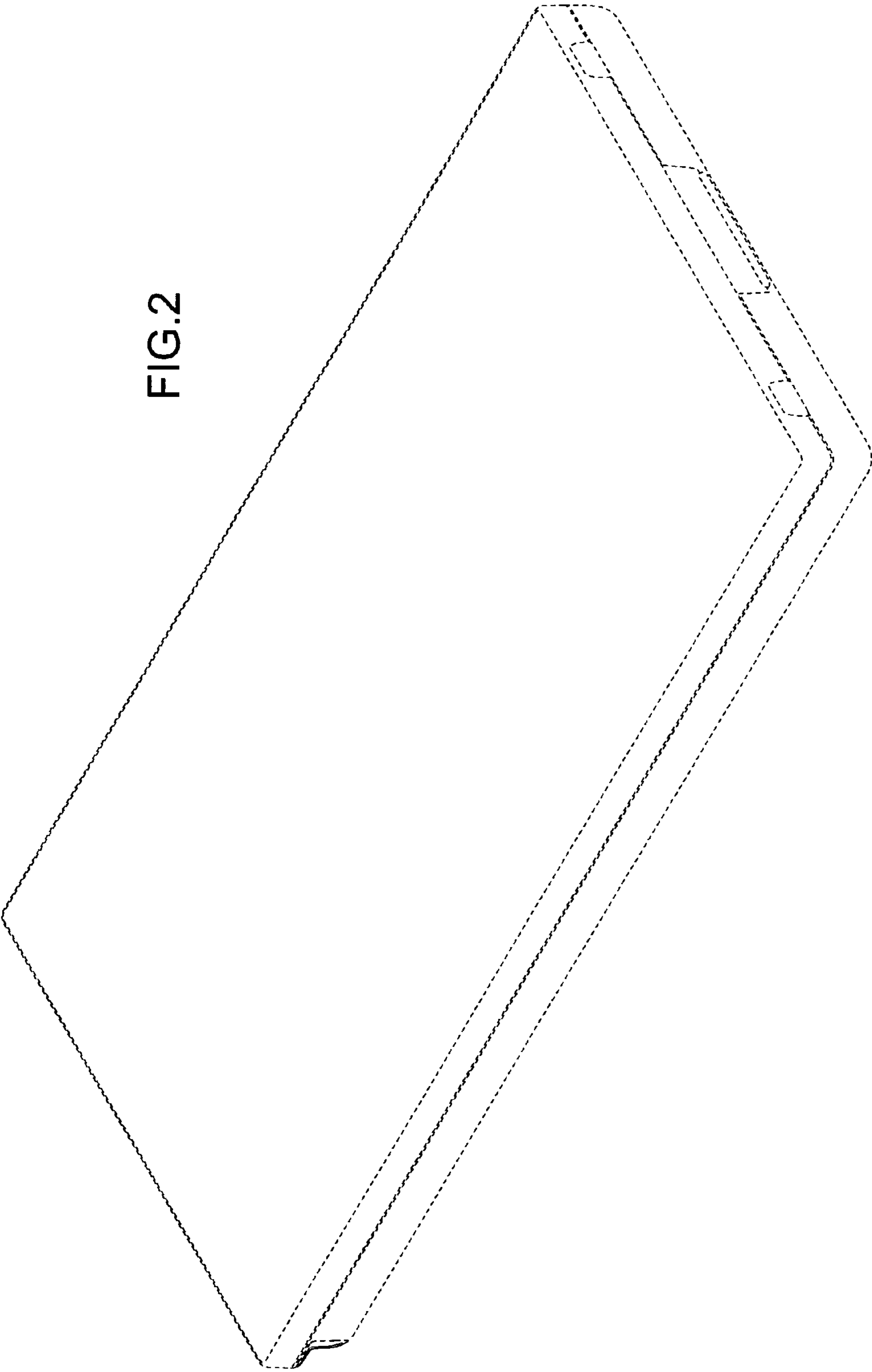


FIG.3

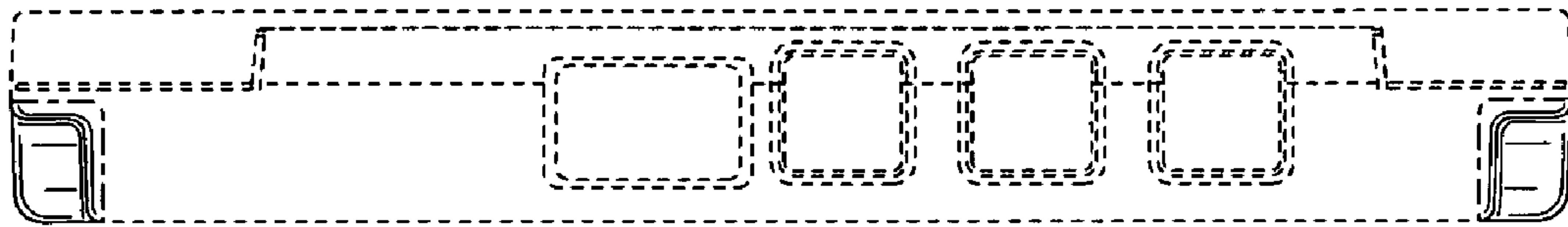


FIG.4

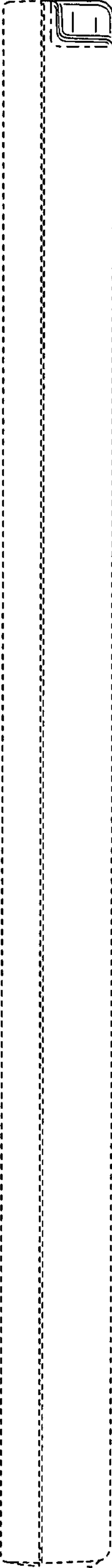


FIG.5

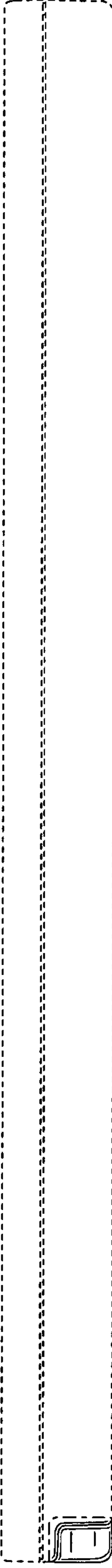


FIG.6

