



US00D642978S

(12) **United States Design Patent**
Sato et al.

(10) **Patent No.:** **US D642,978 S**

(45) **Date of Patent:** **** Aug. 9, 2011**

(54) **BATTERY**

(75) Inventors: **Yutaka Sato**, Hitachinaka (JP); **Ryuji Kono**, Mito (JP); **Mitsuru Koseki**, Fukaya (JP); **Hidemasa Kawai**, Mito (JP); **Hideyuki Shibamura**, Kasama (JP); **Naoki Kimura**, Hitachinaka (JP); **Keisuke Sawada**, Hitachinaka (JP); **Fujio Hirano**, Hiratsuka (JP); **Takuro Tsunaki**, Mito (JP); **Takenori Ishizu**, Hitachinaka (JP); **Kiyoyuki Sekine**, Yuki (JP); **Kinya Aota**, Hitachi (JP); **Kouichi Kajiwara**, Hitachinaka (JP); **Sho Saimaru**, Hitachinaka (JP)

(73) Assignee: **Hitachi Vehicle Energy, Ltd**, Ibaraki (JP)

(**) Term: **14 Years**

(21) Appl. No.: **29/385,390**

(22) Filed: **Feb. 14, 2011**

(30) **Foreign Application Priority Data**

Nov. 26, 2010 (JP) 2010-028216

(51) **LOC (9) Cl.** **13-02**

(52) **U.S. Cl.** **D13/103**

(58) **Field of Classification Search** D13/102-106,
D13/110, 118-119, 184, 199; 429/96-100,
429/163, 176

See application file for complete search history.

(56) **References Cited**

U.S. PATENT DOCUMENTS

D587,646 S * 3/2009 Ushijima et al. D13/103
D591,230 S 4/2009 Tasai
D592,129 S 5/2009 Masuda et al.
7,601,458 B2 * 10/2009 Hwang et al. 429/148
2010/0297484 A1 * 11/2010 Kim 429/72

FOREIGN PATENT DOCUMENTS

JP D 1175600 S 6/2003
JP D 1175601 S 6/2003
JP D 1262675 S 2/2006
JP D 1369794 S 9/2009

OTHER PUBLICATIONS

Copending U.S. Appl. No. 29/385,391, filed Feb. 14, 2011, Sato.
Copending U.S. Appl. No. 29/385,397, filed Feb. 14, 2011, Sato.

* cited by examiner

Primary Examiner — Rosemary K Tarcza

(74) *Attorney, Agent, or Firm* — Antonelli, Terry, Stout & Kraus, LLP.

(57) **CLAIM**

We claim the ornamental design for a battery, as shown.

DESCRIPTION

FIG. 1 is a front, top and left side perspective view of a battery showing our new design;

FIG. 2 is a front elevational view thereof;

FIG. 3 is a rear elevational view thereof;

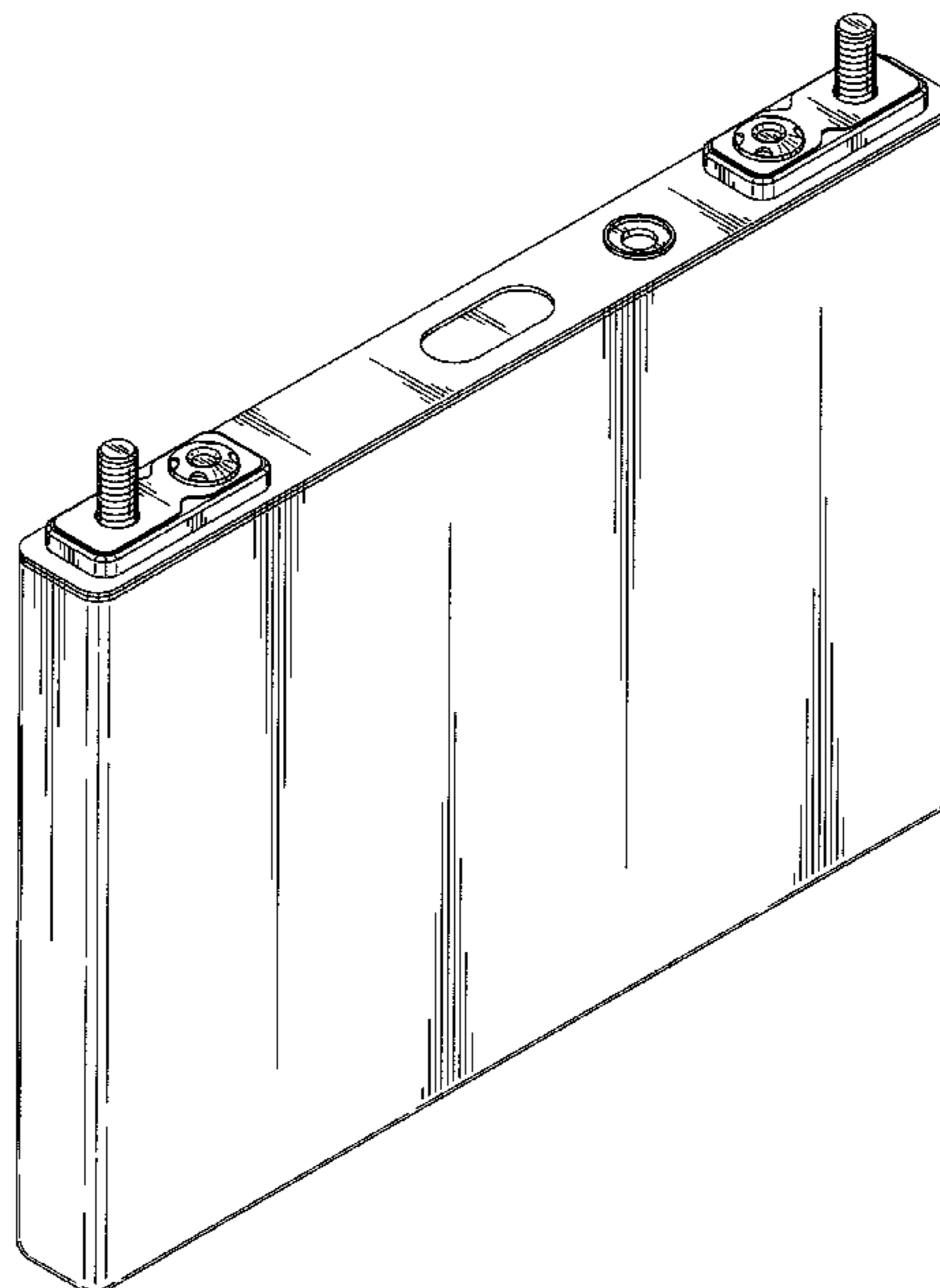
FIG. 4 is a top plan view thereof;

FIG. 5 is a bottom plan view thereof;

FIG. 6 is a left side elevational view thereof; and,

FIG. 7 is a right side elevational view thereof.

1 Claim, 5 Drawing Sheets



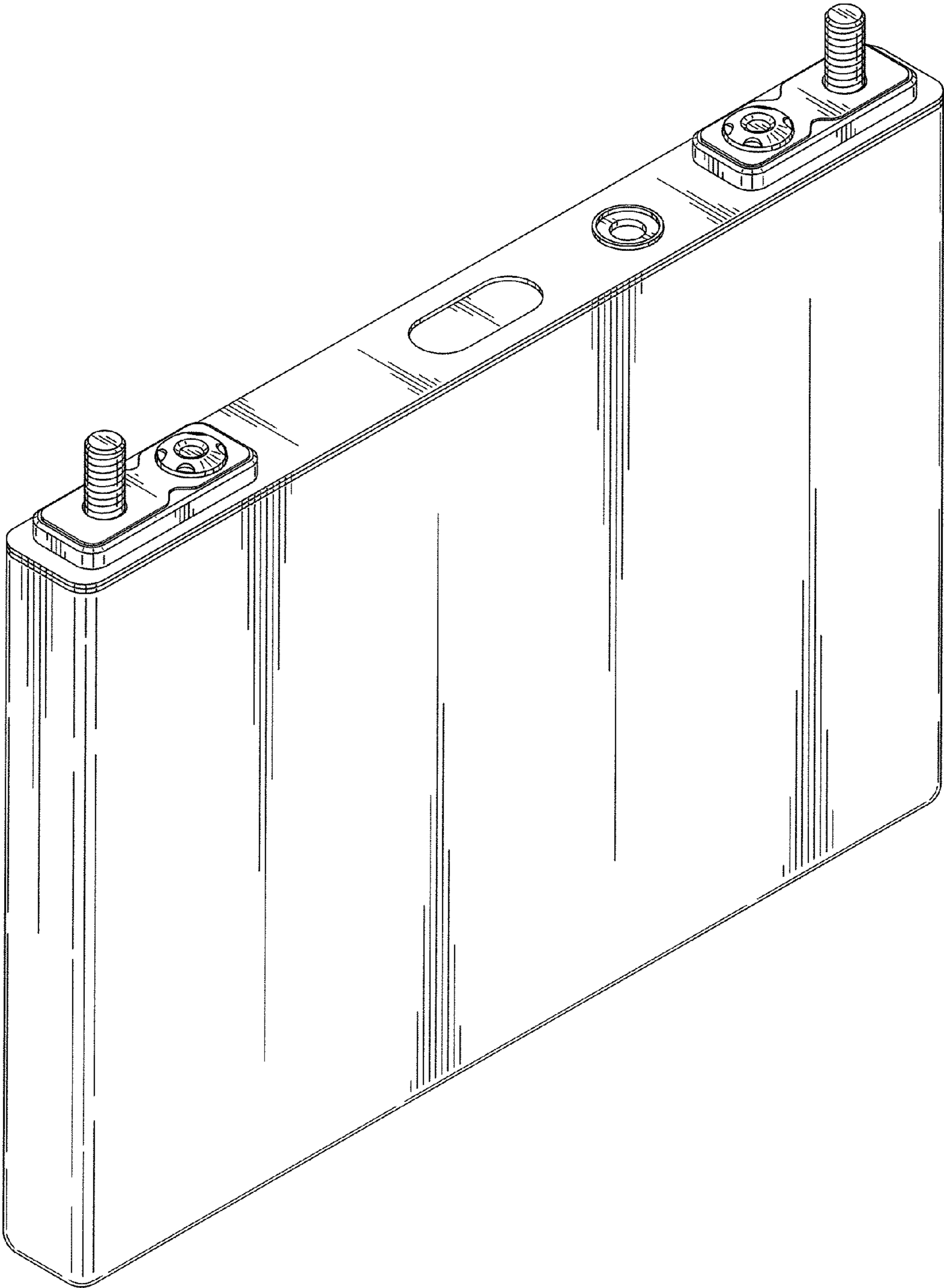


FIG. 1

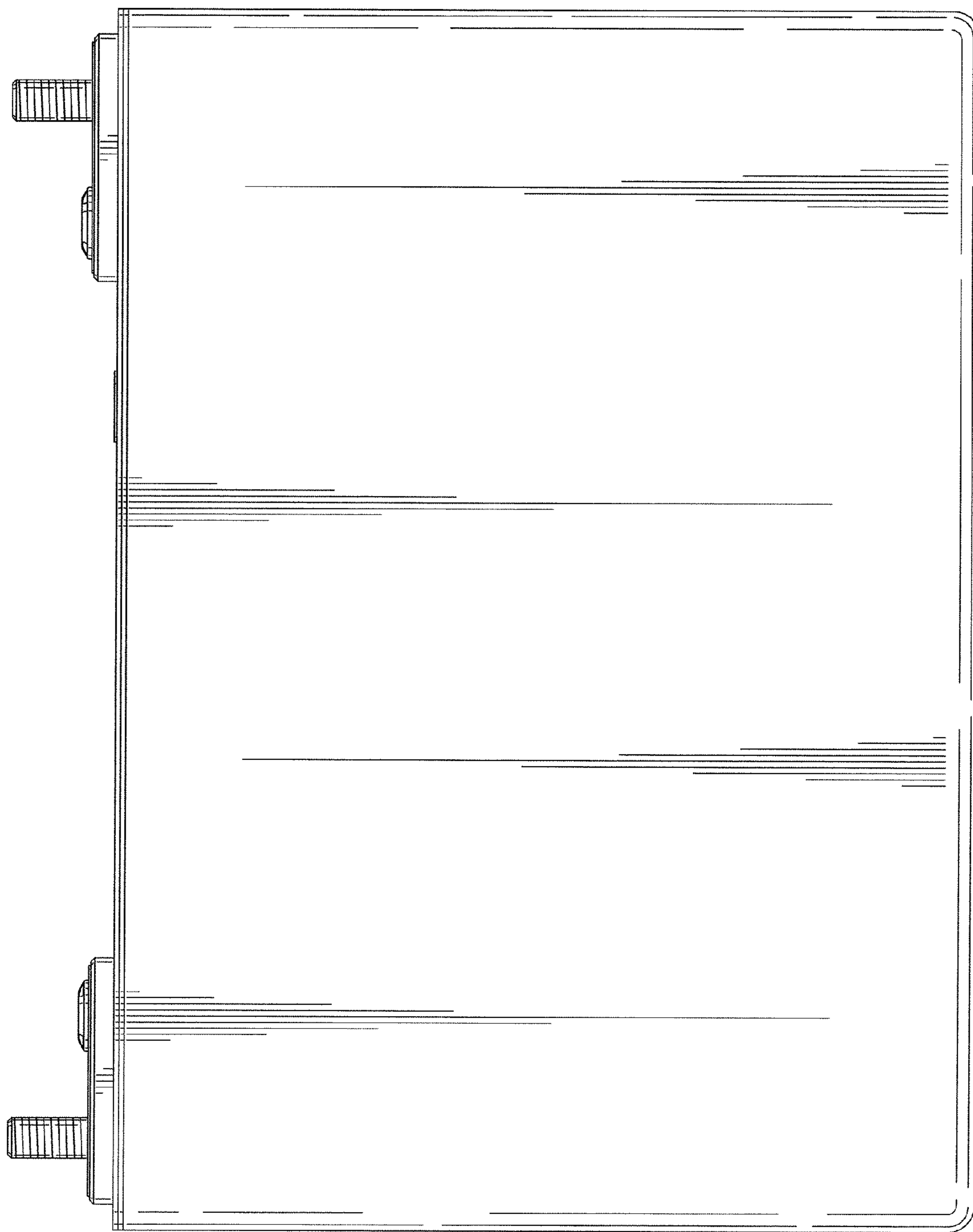


FIG. 2

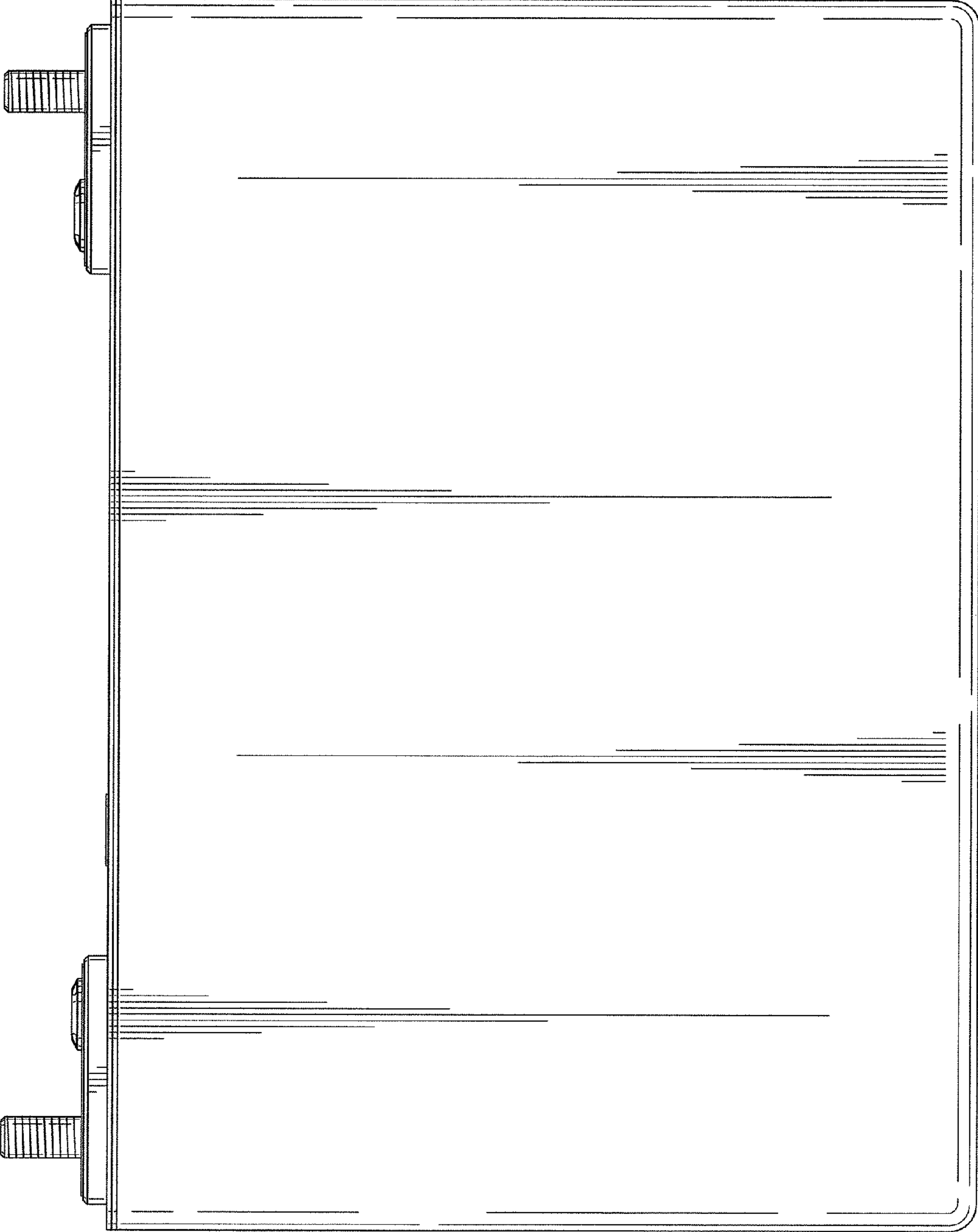


FIG. 3

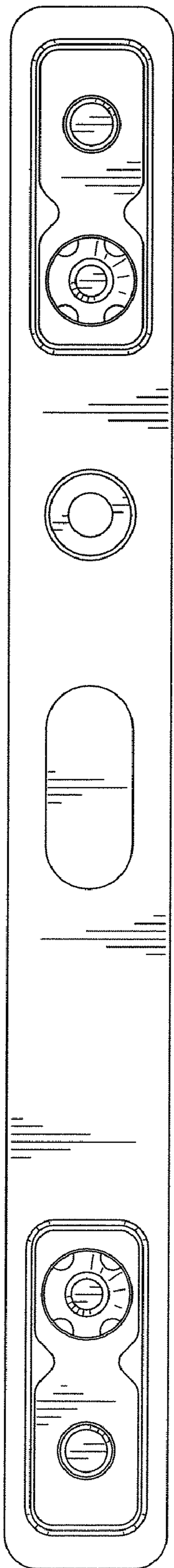


FIG. 4

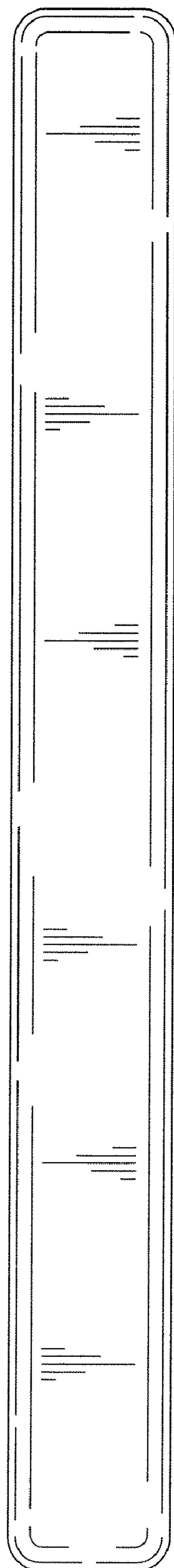


FIG. 5

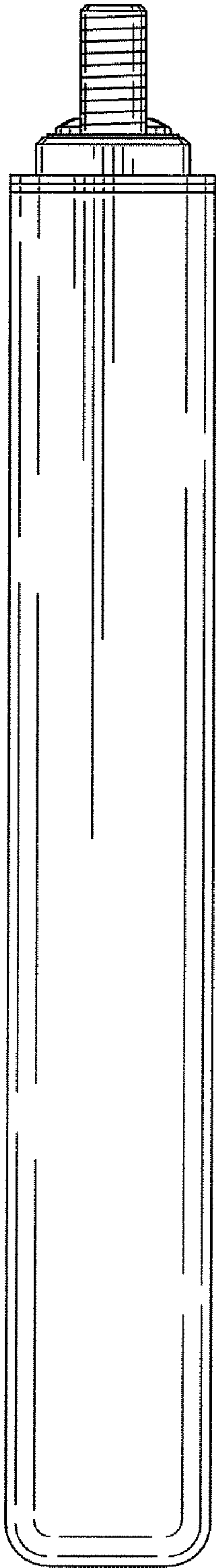


FIG. 6

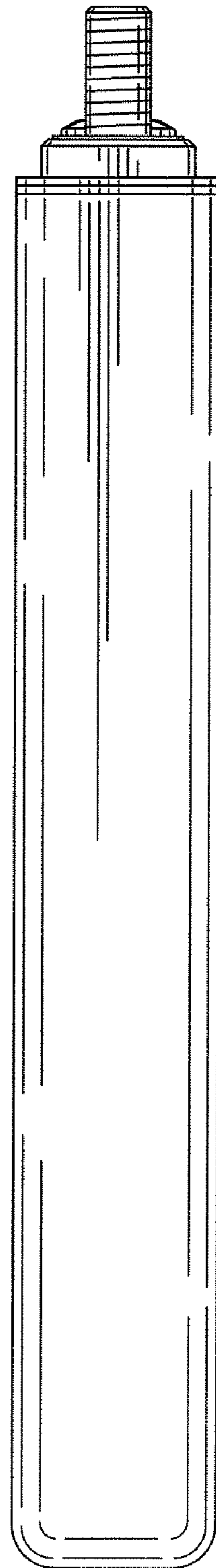


FIG. 7