



US00D642971S

(12) **United States Design Patent**
Takahashi

(10) **Patent No.:** **US D642,971 S**
(45) **Date of Patent:** **** Aug. 9, 2011**

(54) **TIRE**

(75) Inventor: **Toshihiko Takahashi**, Osaka (JP)

(73) Assignee: **Toyo Tire & Rubber Co., Ltd.**, Osaka (JP)

(**) Term: **14 Years**

(21) Appl. No.: **29/357,055**

(22) Filed: **Mar. 5, 2010**

(30) **Foreign Application Priority Data**

Sep. 10, 2009 (JP) 2009-020858

(51) **LOC (9) Cl.** **12-15**

(52) **U.S. Cl.** **D12/518**

(58) **Field of Classification Search** D12/505,
D12/514-532, 547-550, 582-585, 900-901;
152/209.1-209.28, 455

See application file for complete search history.

(56) **References Cited**

U.S. PATENT DOCUMENTS

D369,763	S	*	5/1996	Saeki et al.	D12/518
D376,779	S	*	12/1996	Kuwajima et al.	D12/518
D393,613	S	*	4/1998	Brayer et al.	D12/518
D558,125	S	*	12/2007	Miyabe et al.	D12/518
D583,302	S	*	12/2008	Shavers et al.	D12/518
D600,629	S	*	9/2009	Takahashi	D12/518

FOREIGN PATENT DOCUMENTS

JP	1241677	6/2005
JP	1246050	7/2005
JP	1335503	7/2008
JP	1335791	7/2008
JP	1380166	2/2010

* cited by examiner

Primary Examiner — Stacia Cadmus

(74) *Attorney, Agent, or Firm* — Sterne, Kessler, Goldstein & Fox, PLLC

(57) **CLAIM**

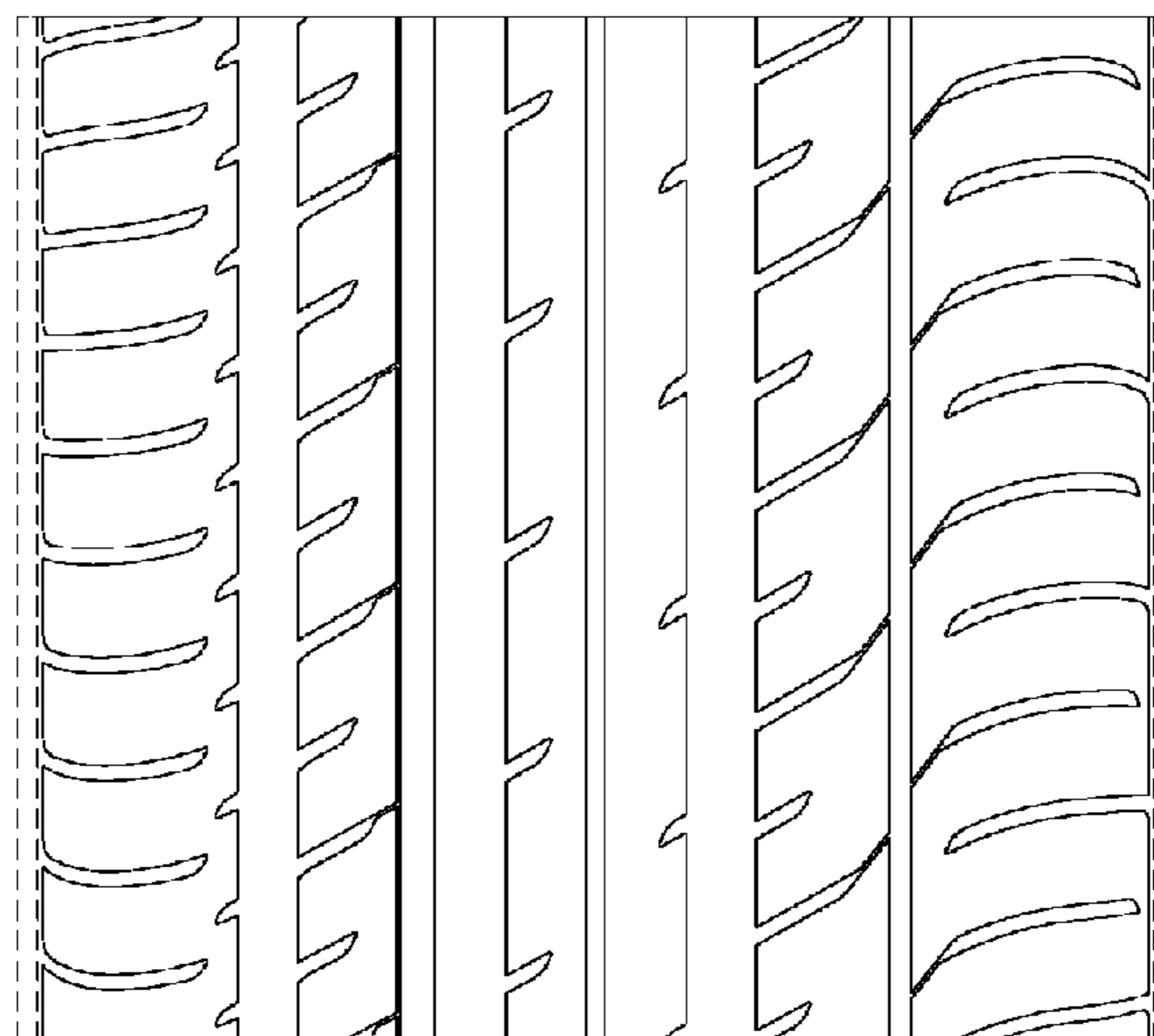
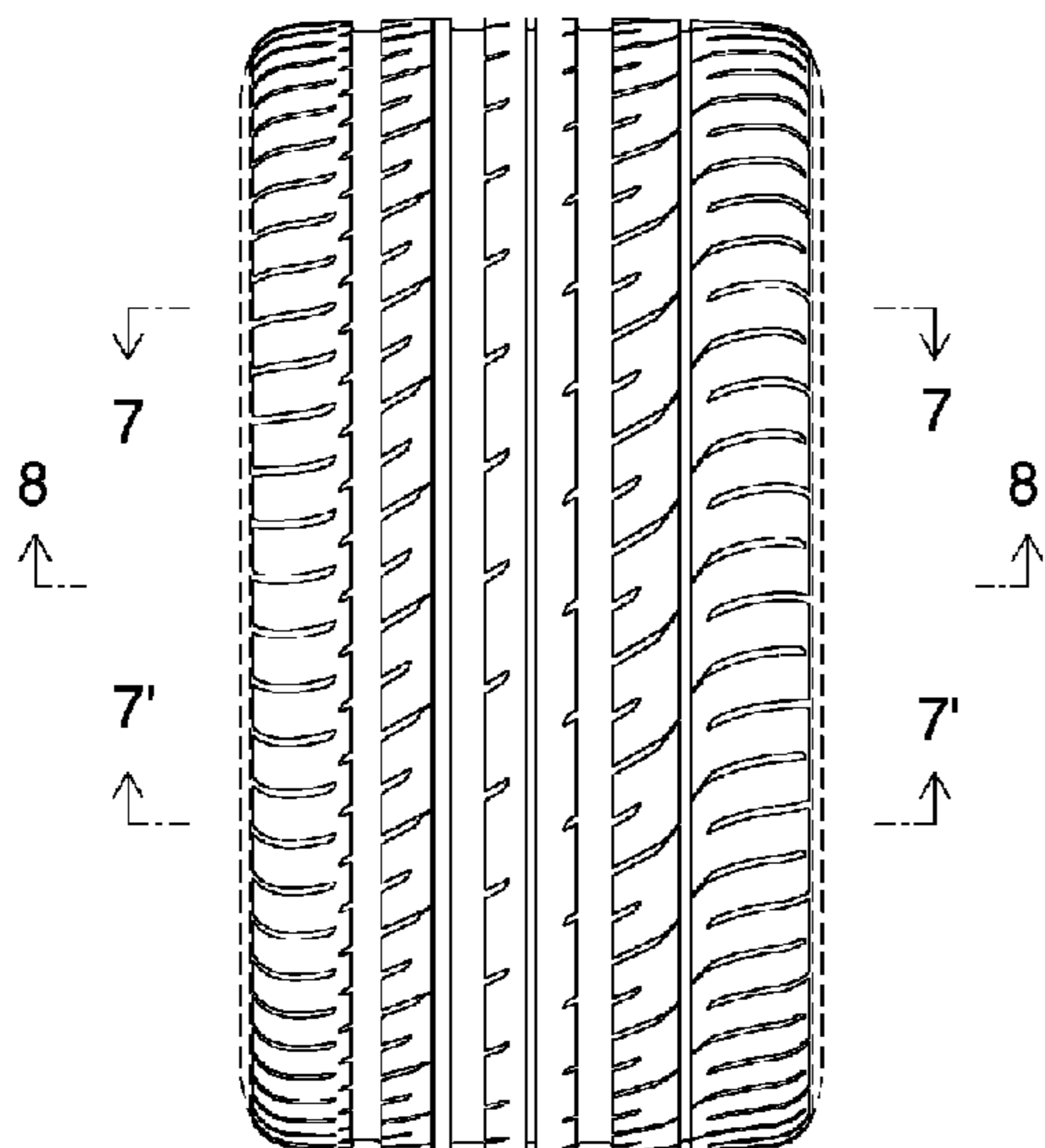
The ornamental design for a tire, as shown and described.

DESCRIPTION

FIG. 1 is a perspective view of a tire showing my new design;
FIG. 2 is a front view thereof;
FIG. 3 is a rear view thereof;
FIG. 4 is a top plan view thereof, for which the bottom plan view is the same;
FIG. 5 is a right side view thereof;
FIG. 6 is a left side view thereof;
FIG. 7 is an enlarged sectional view taken along line 7—7 and 7'—7' in FIG. 2; and,
FIG. 8 is an enlarged sectional view taken along line 8—8 in FIG. 2 and line 8'—8' in FIG. 5.

The broken lines in the Figures show portions of the tire that form no part of the claimed design.

1 Claim, 8 Drawing Sheets



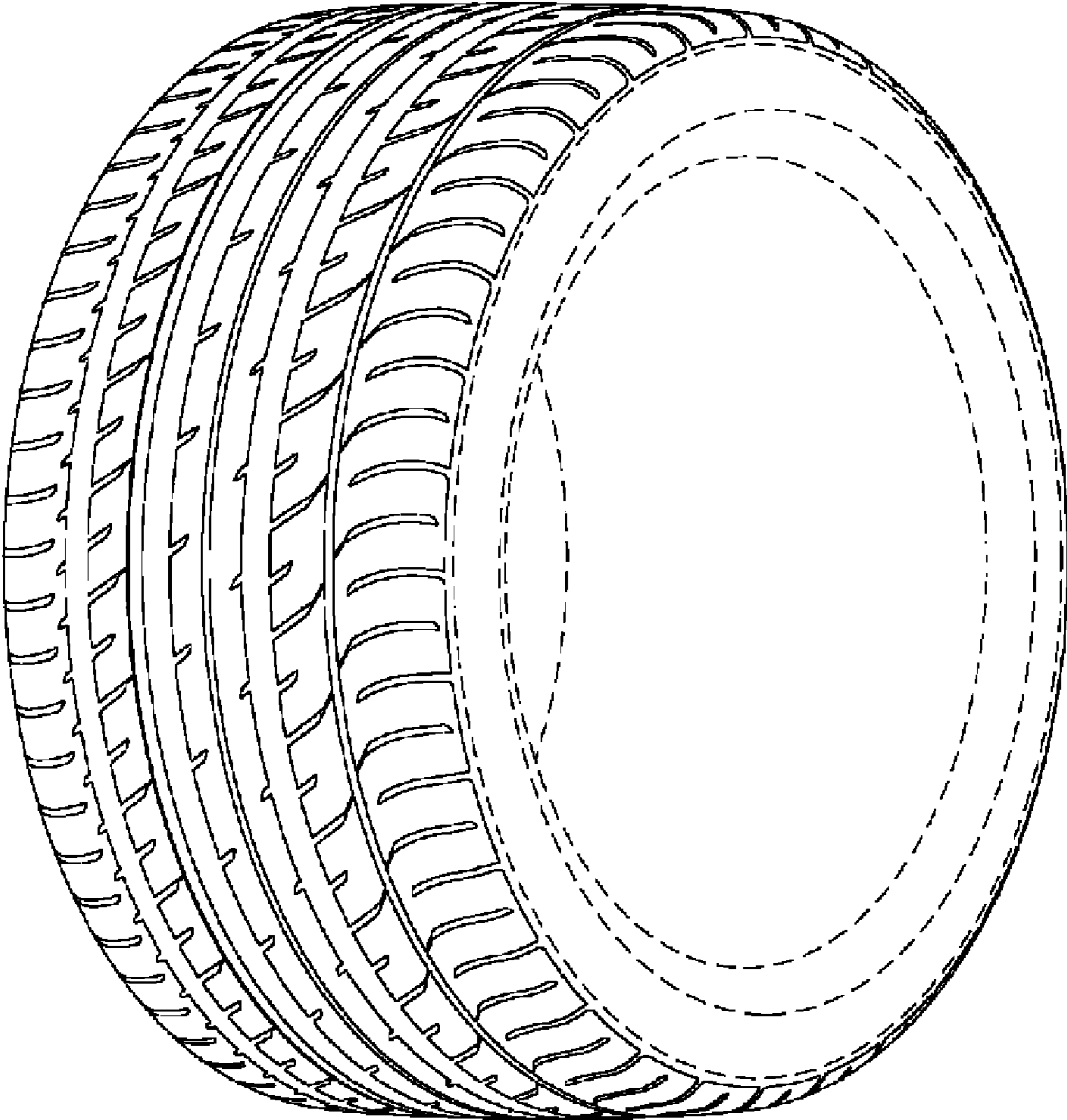


FIG. 1

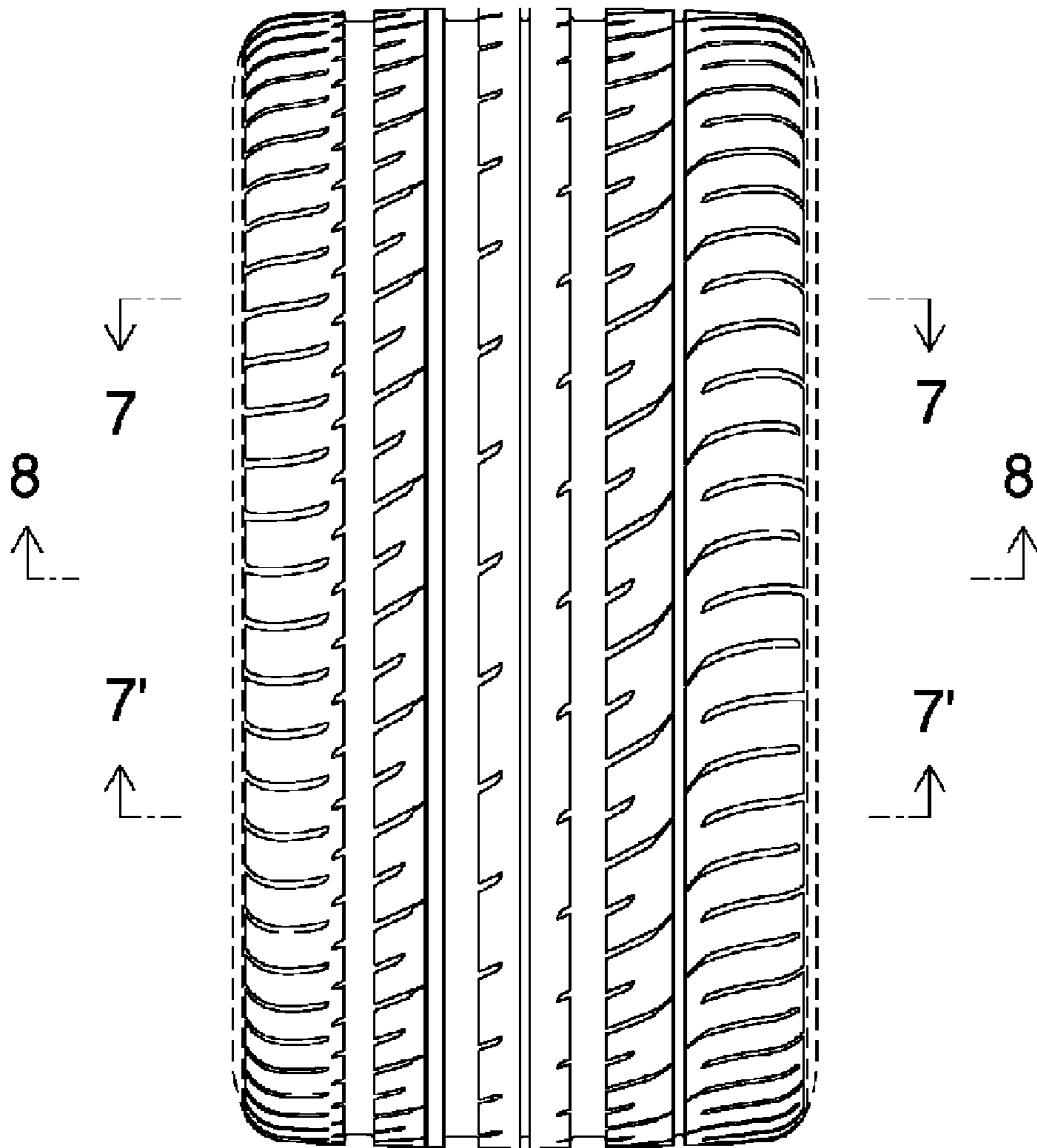


FIG. 2

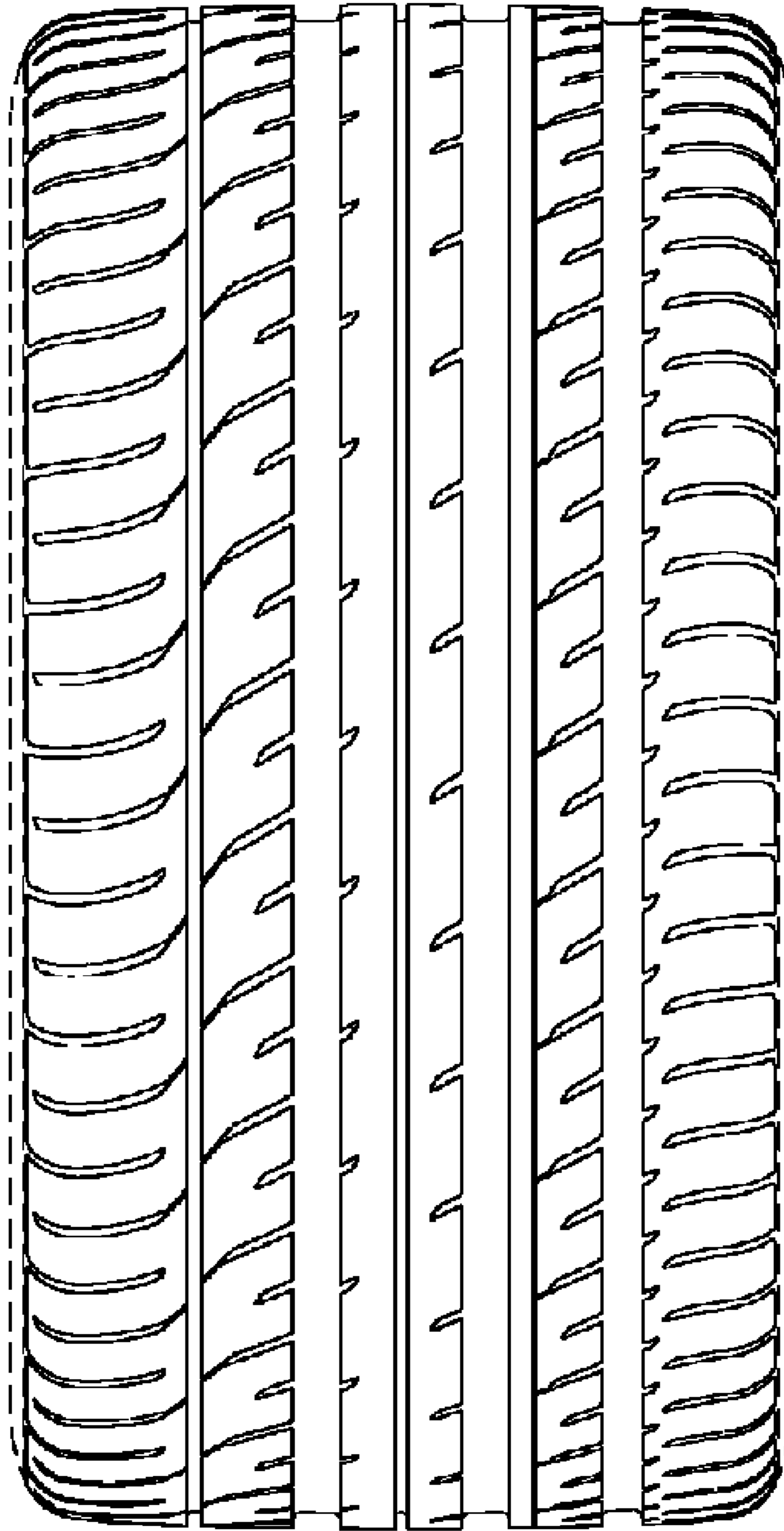


FIG. 3

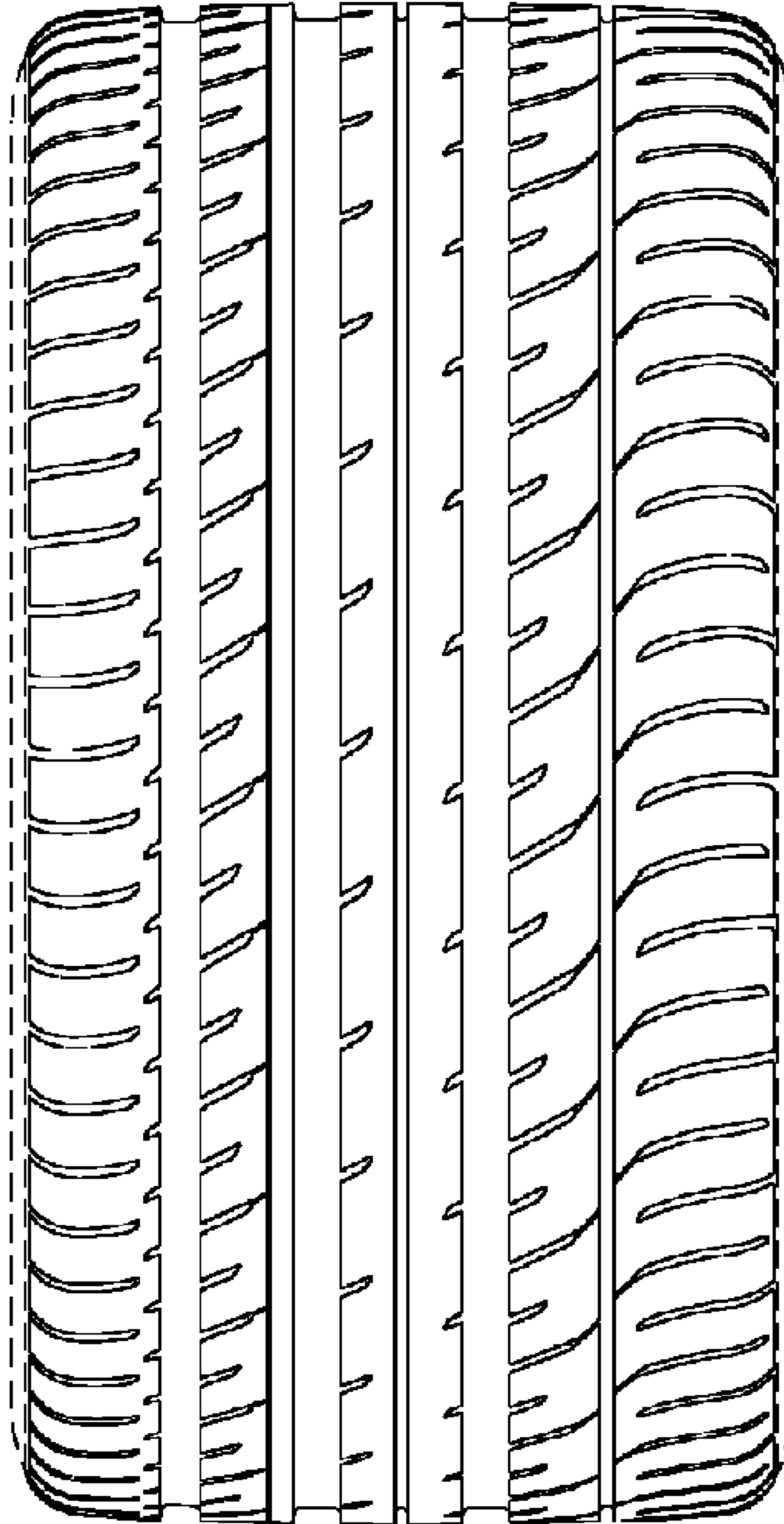


FIG. 4

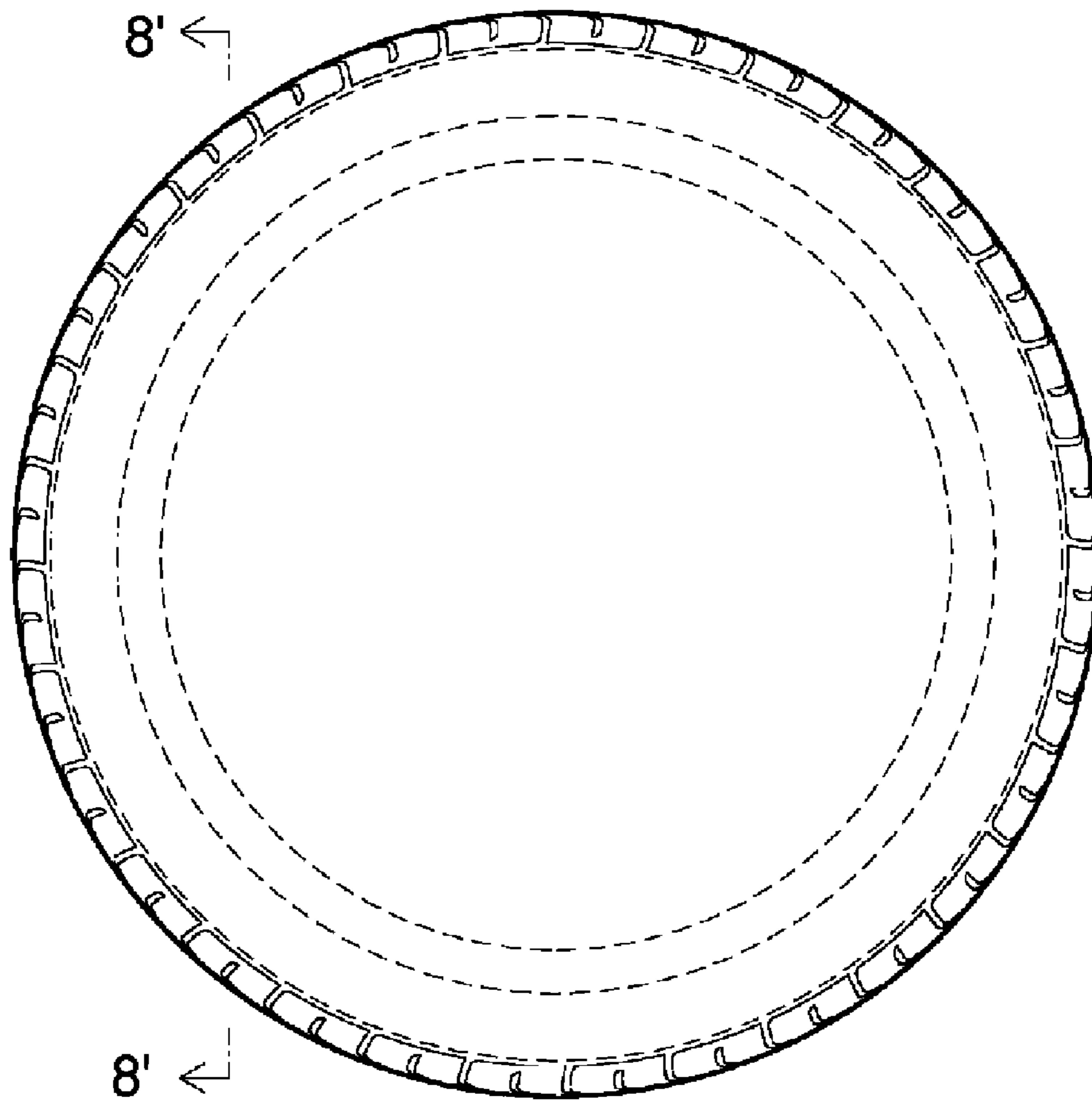


FIG. 5

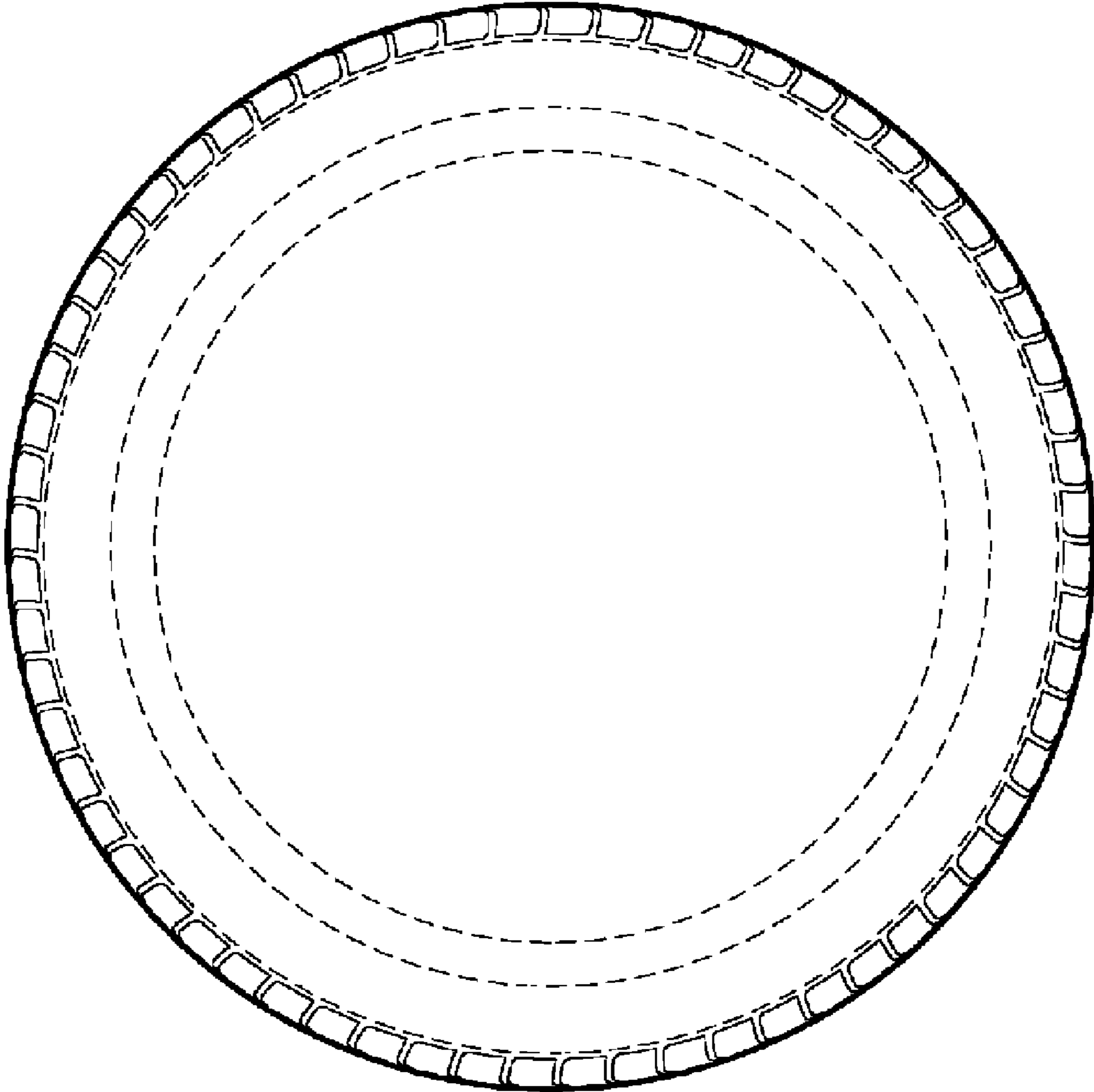


FIG. 6

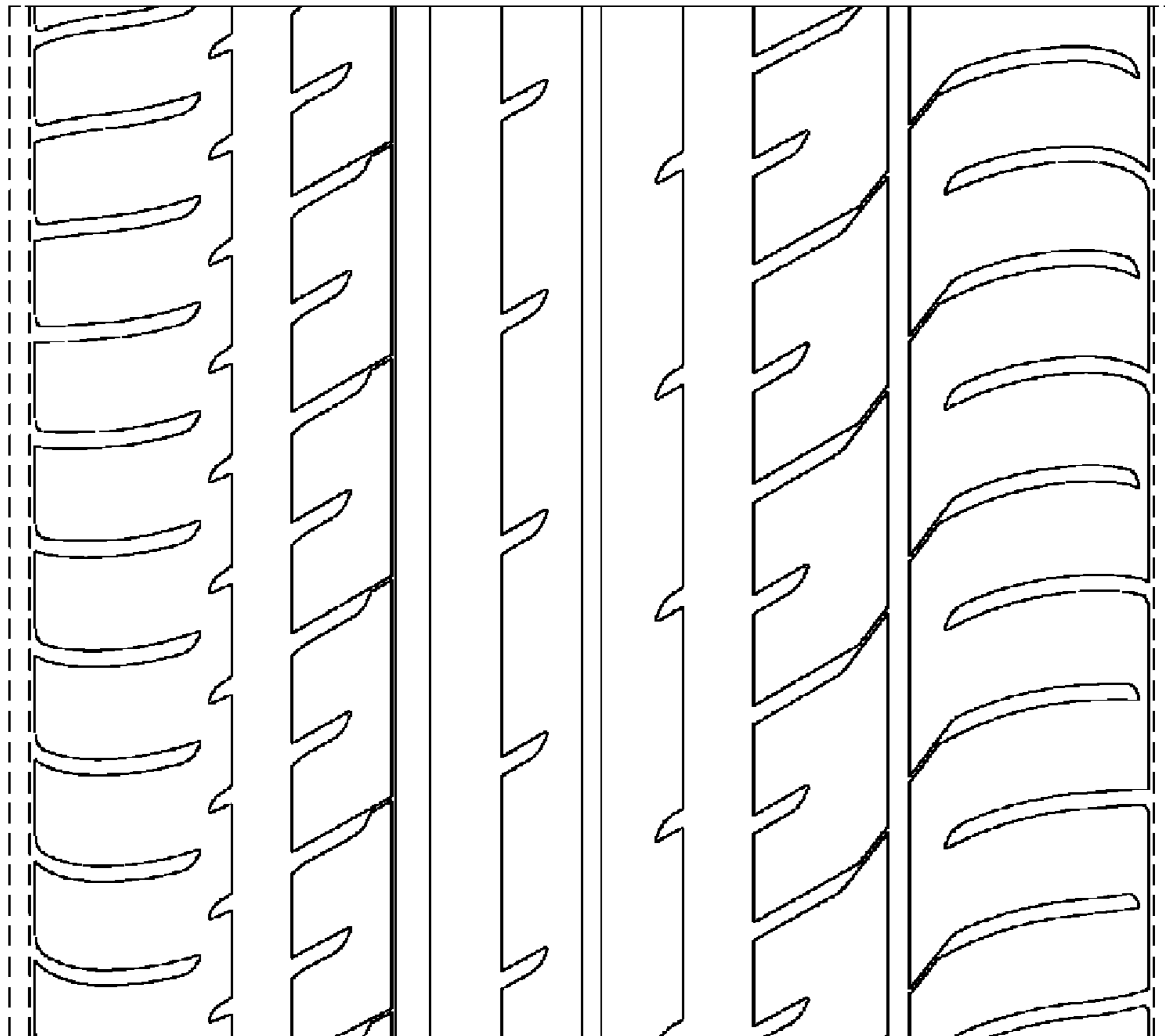


FIG. 7

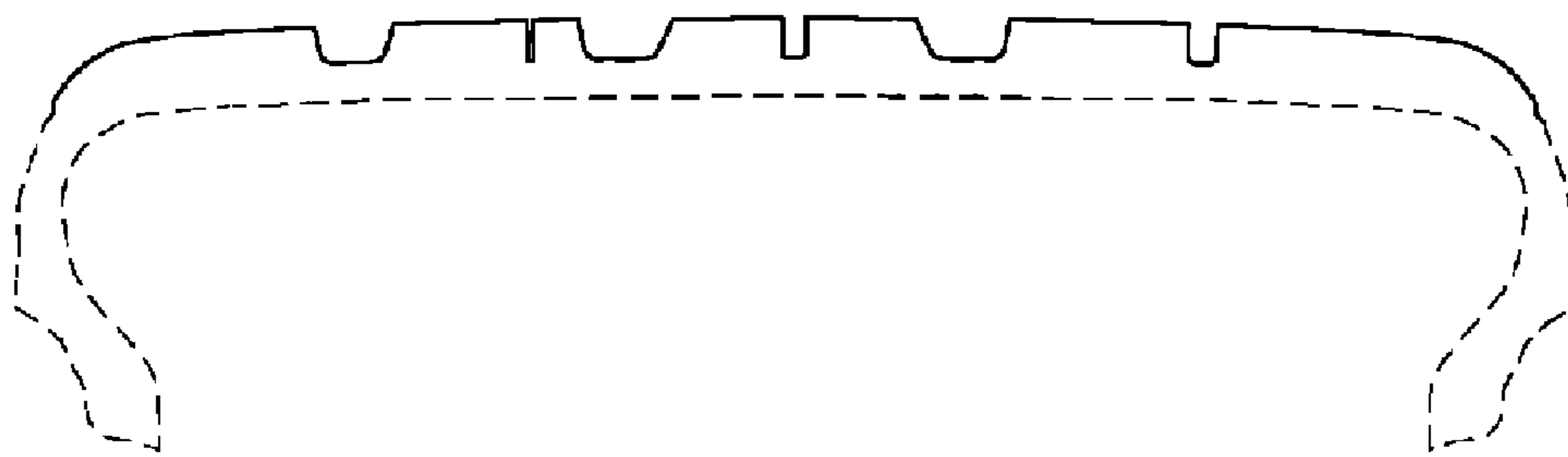


FIG. 8