



US00D642969S

(12) **United States Design Patent**
Saggau et al.

(10) **Patent No.:** **US D642,969 S**
(45) **Date of Patent:** **** Aug. 9, 2011**

(54) **VEHICLE COVER**

DESCRIPTION

(76) Inventors: **John Jay Saggau**, Soquel, CA (US);
Andrew Jones, Santa Cruz, CA (US);
Dave Molinari, Huntington Beach, CA
(US)

(**) Term: **14 Years**

(21) Appl. No.: **29/380,718**

(22) Filed: **Dec. 9, 2010**

(51) **LOC (9) Cl.** **12-16**

(52) **U.S. Cl.** **D12/401**

(58) **Field of Classification Search** D6/610,
D6/611, 445, 490, 596, 601, 602, 603, 615,
D6/617, 621; D7/306, 307; D12/401-405;
135/87, 88.01, 95; 150/165-167, 158, 154;
280/770; 296/136.01, 136.1, 136.11;
297/218-218.5, 219.1-229

See application file for complete search history.

(56) **References Cited**

U.S. PATENT DOCUMENTS

3,659,872	A	5/1972	Warner	
3,884,523	A	5/1975	Allen	
4,171,145	A	10/1979	Pearson, Sr.	
4,283,084	A	8/1981	Gallagher	
4,315,535	A	2/1982	Battle	
4,355,649	A	10/1982	Deragon	
4,598,725	A	7/1986	Brewer	
D294,241	S *	2/1988	Dopkowski	D12/402
4,773,456	A	9/1988	Rodgers	
4,792,040	A	12/1988	Wagstaff, III	
5,062,560	A	11/1991	Wasden	
5,083,831	A	1/1992	Foyen	

(Continued)

Primary Examiner — Caron D Veynar

Assistant Examiner — Katrina Kile

(74) *Attorney, Agent, or Firm* — Salter IP Law; Jim H. Salter

(57) **CLAIM**

The ornamental design for a vehicle cover, as shown and described.

A portion of the disclosure of this patent document contains material that is subject to copyright protection. The copyright owner has no objection to the facsimile reproduction by anyone of the patent document or the patent disclosure, as it appears in the Patent and Trademark Office patent files or records, but otherwise reserves all copyright rights whatsoever. The following notice applies to the disclosure herein and to the drawings that form a part of this document: Copyright 2009-2010, John Saggau, Andrew Jones, & Dave Molinari; All Rights Reserved.

This patent application is related to U.S. patent application Ser. No. 12/964,715; filed on Dec. 9, 2010; and filed by the same applicant as the present patent application.

FIG. 1 is a left side view of the vehicle cover, in accordance with a preferred embodiment of the present invention, in use on a vehicle;

FIG. 2 is a right side view of the vehicle cover, as shown in FIG. 1, in use on the vehicle;

FIG. 3 is a left side view of the forward portion of the vehicle cover, as shown in FIG. 1, in use on the vehicle;

FIG. 4 is a right side view of the forward portion of the vehicle cover, as shown in FIG. 1, in use on the vehicle;

FIG. 5 is a top side and rear view of the vehicle cover, as shown in FIG. 1, in use on the vehicle and from a view point at the rear of the vehicle;

FIG. 6 is a front view of the vehicle cover, as shown in FIG. 1, in use on the vehicle;

FIG. 7 is a top side view of the forward portion of the vehicle cover, as shown in FIG. 1, in use on the vehicle;

FIG. 8 is a front view of the lower portion of the vehicle cover, as shown in FIG. 1, in use on the vehicle;

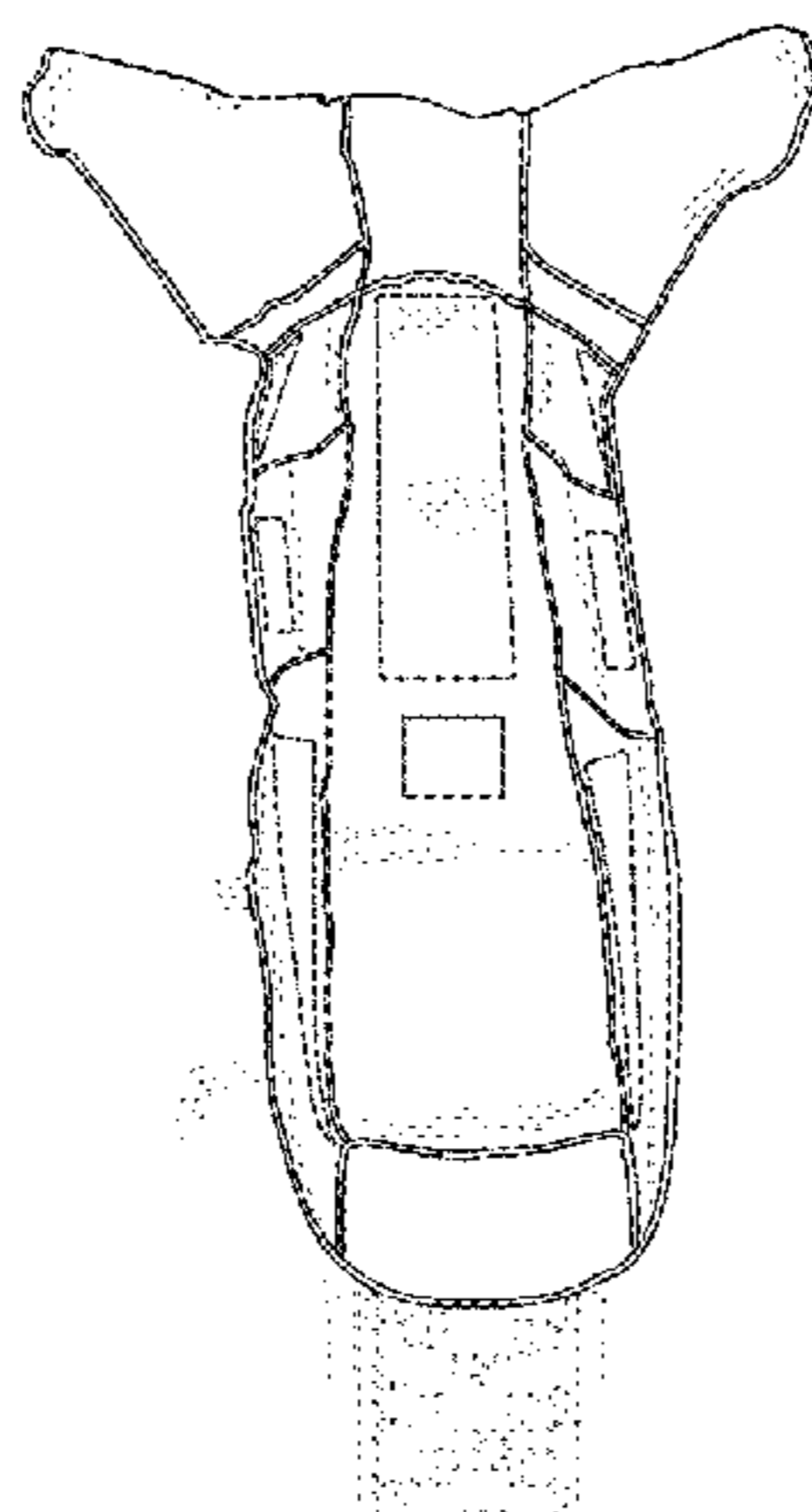
FIG. 9 is a left side view of the vehicle cover, as shown in FIG. 1;

FIG. 10 is a top side view of the vehicle cover, as shown in FIGS. 1; and,

FIG. 11 is a bottom side view of the vehicle cover, as shown in FIG. 1.

The broken line in the drawing figures show a motorcycle and portions of a vehicle cover that form no part of the claimed design.

1 Claim, 8 Drawing Sheets



US D642,969 S

Page 2

U.S. PATENT DOCUMENTS					
5,088,788	A	2/1992 Moulton	6,725,871	B1 *	4/2004 Shearer et al. 135/88.01
5,445,200	A	8/1995 Celestino	6,923,489	B2	8/2005 Keys
5,488,981	A	2/1996 Burkhart	6,948,764	B1	9/2005 Haddock
5,562,139	A	10/1996 Cseri	D530,559	S *	10/2006 Fails D6/611
5,662,372	A	9/1997 Lubkeman	7,137,422	B2	11/2006 McMillen
5,676,288	A	10/1997 Spirk	D540,245	S *	4/2007 Gupta D12/401
D391,219	S *	2/1998 Voorhees D12/402	7,204,280	B2 *	4/2007 Allen 150/166
5,716,070	A	2/1998 Pearson	7,416,250	B1	8/2008 Difilippo
5,795,008	A	8/1998 Allen	D584,212	S *	1/2009 Morin D12/401
5,795,009	A	8/1998 Sack	D588,978	S	3/2009 Powers
5,820,200	A	10/1998 Zubillaga	2006/0283531	A1 *	12/2006 Eisenbarth et al. 150/154
5,829,828	A	11/1998 Asfaw	2009/0025843	A1	1/2009 Keeler
5,921,389	A	7/1999 Zoffer	2009/0078845	A1 *	3/2009 Koszeghy 248/503
6,012,770	A	1/2000 Rubin	2009/0143616	A1 *	6/2009 Nogami et al. 562/567
6,209,599	B1	4/2001 Richardson	2009/0183809	A1 *	7/2009 Wiegel 150/166
6,468,612	B1 *	10/2002 Symonds 428/35.7	2009/0211673	A1 *	8/2009 Neren 150/165
6,508,484	B1	1/2003 Flemons	2010/0019532	A1 *	1/2010 Hooker et al. 296/136.1
6,516,844	B1	2/2003 Henry	2011/0036474	A1 *	2/2011 Phillips 150/167
6,718,697	B2 *	4/2004 Voorhees 52/79.4	2011/0100517	A1 *	5/2011 Merritt 150/167

* cited by examiner

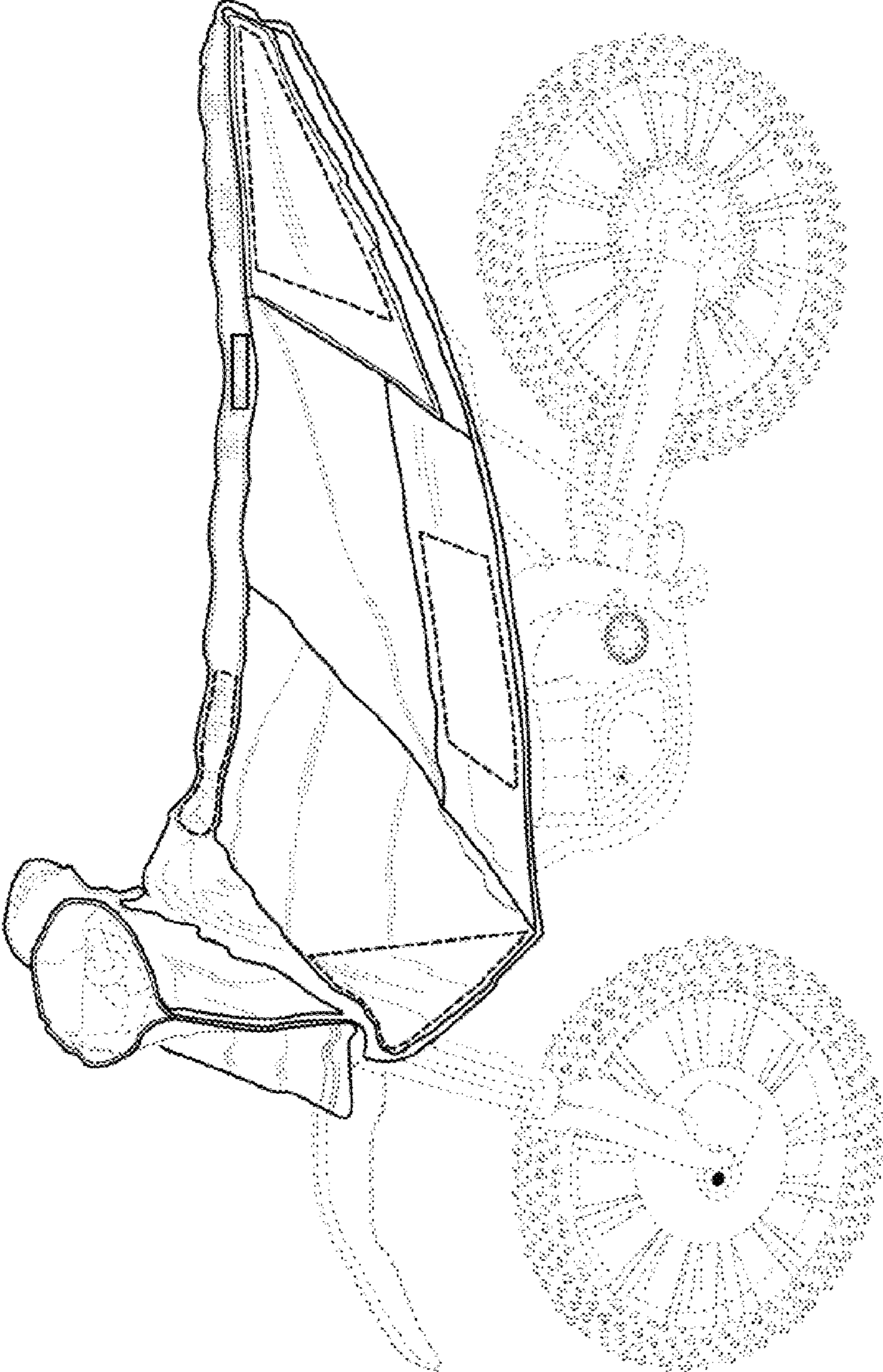


FIG. 1

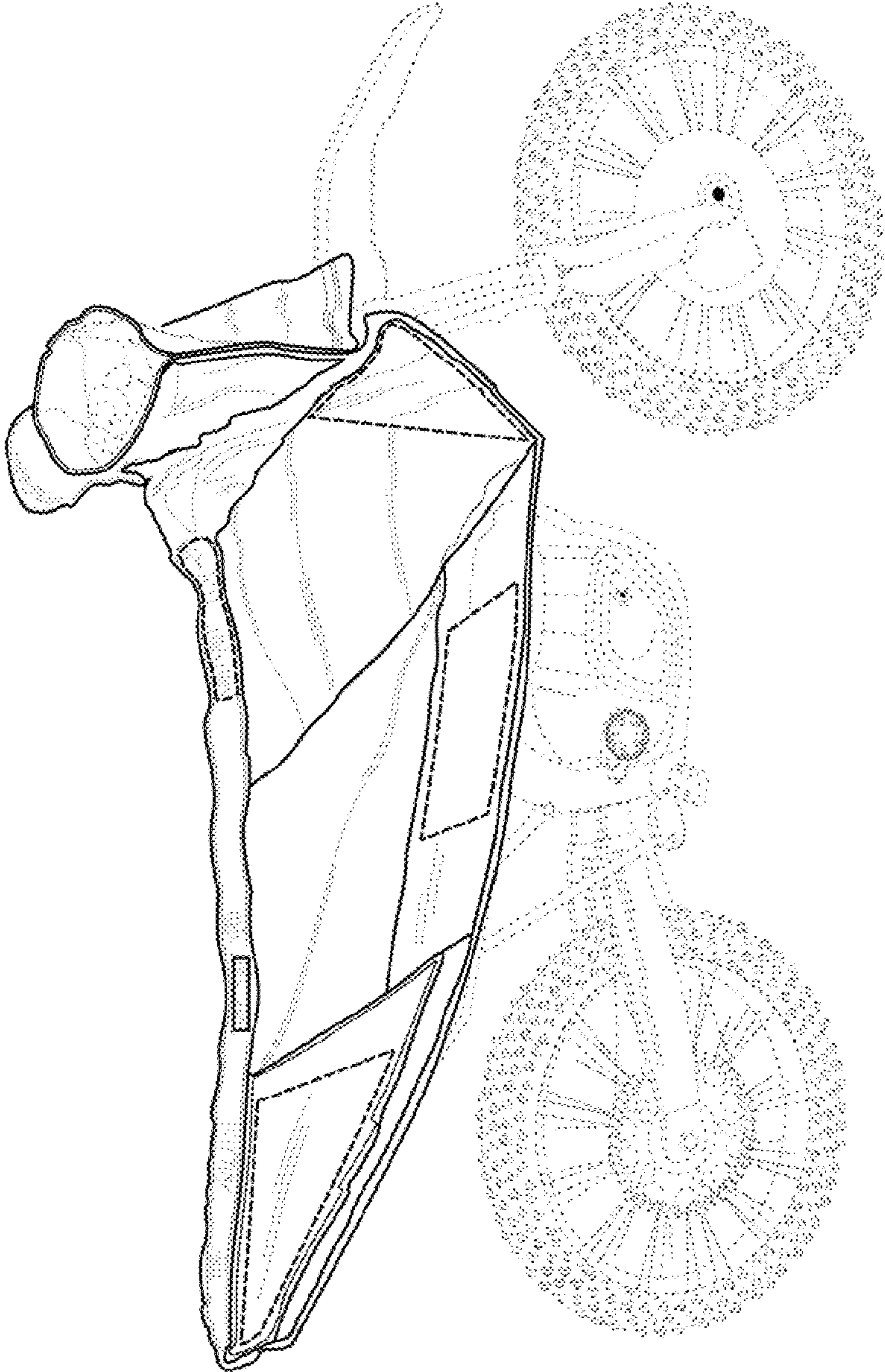


FIG. 2

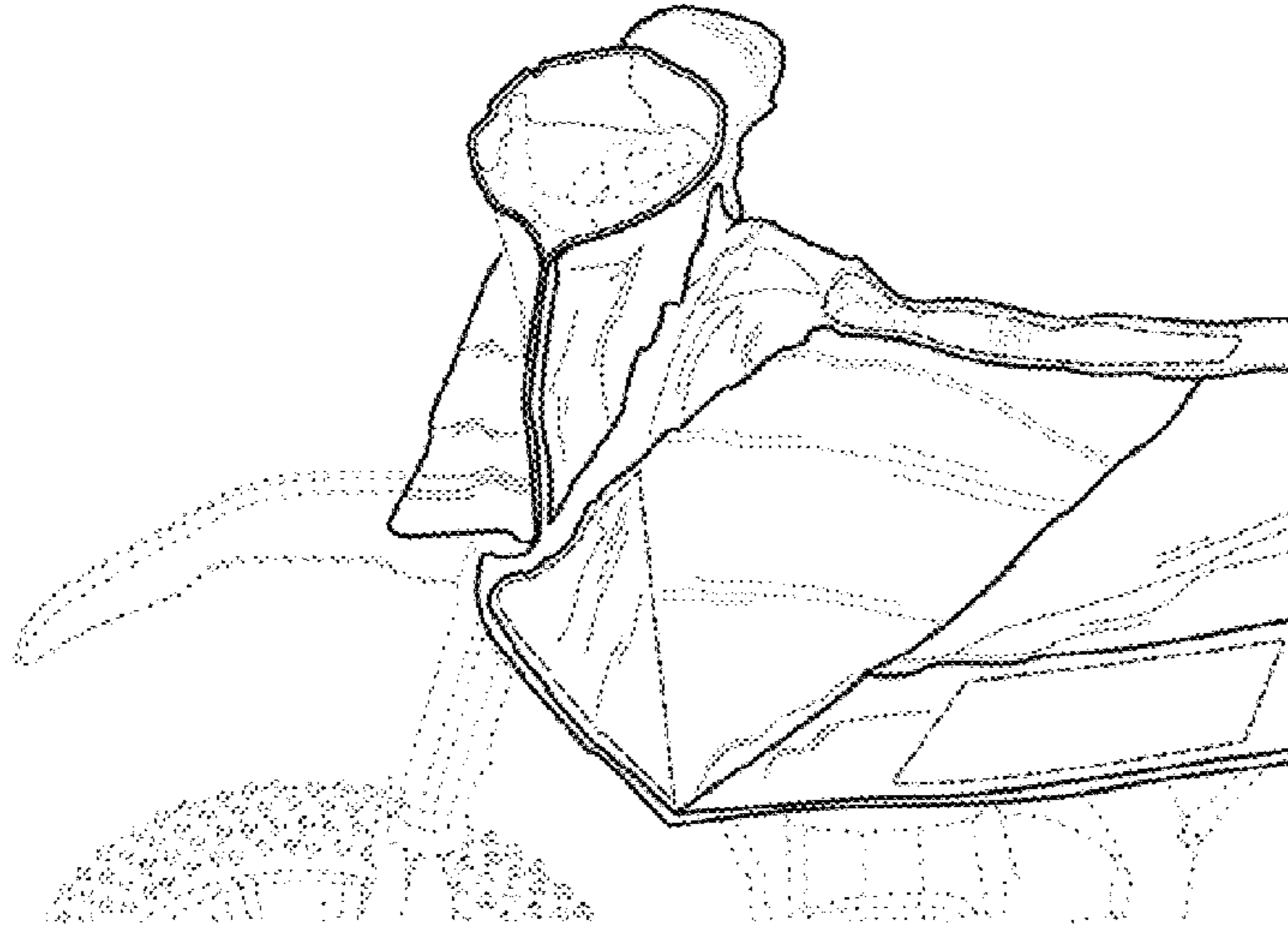


FIG. 3

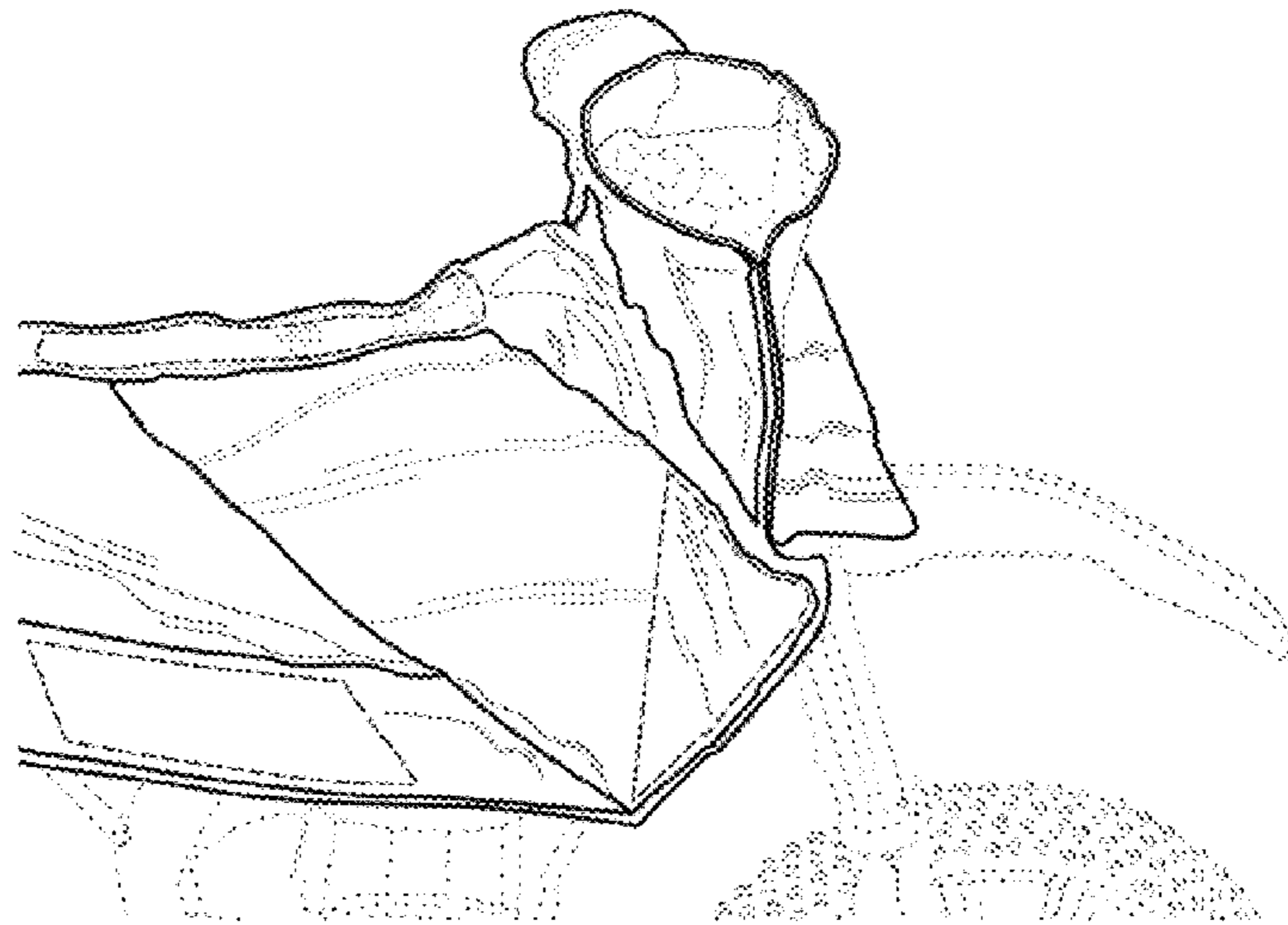
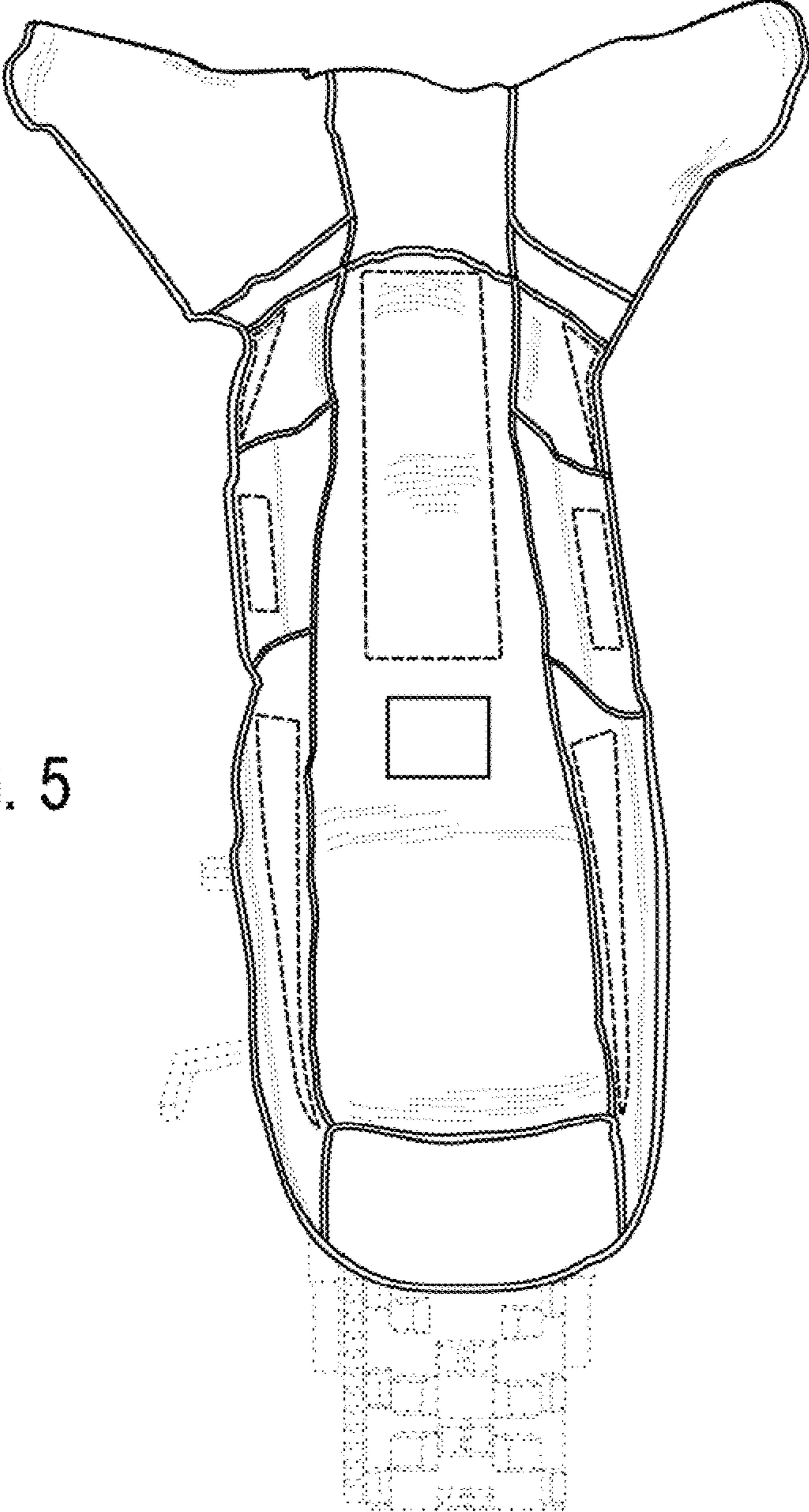


FIG. 4

FIG. 5



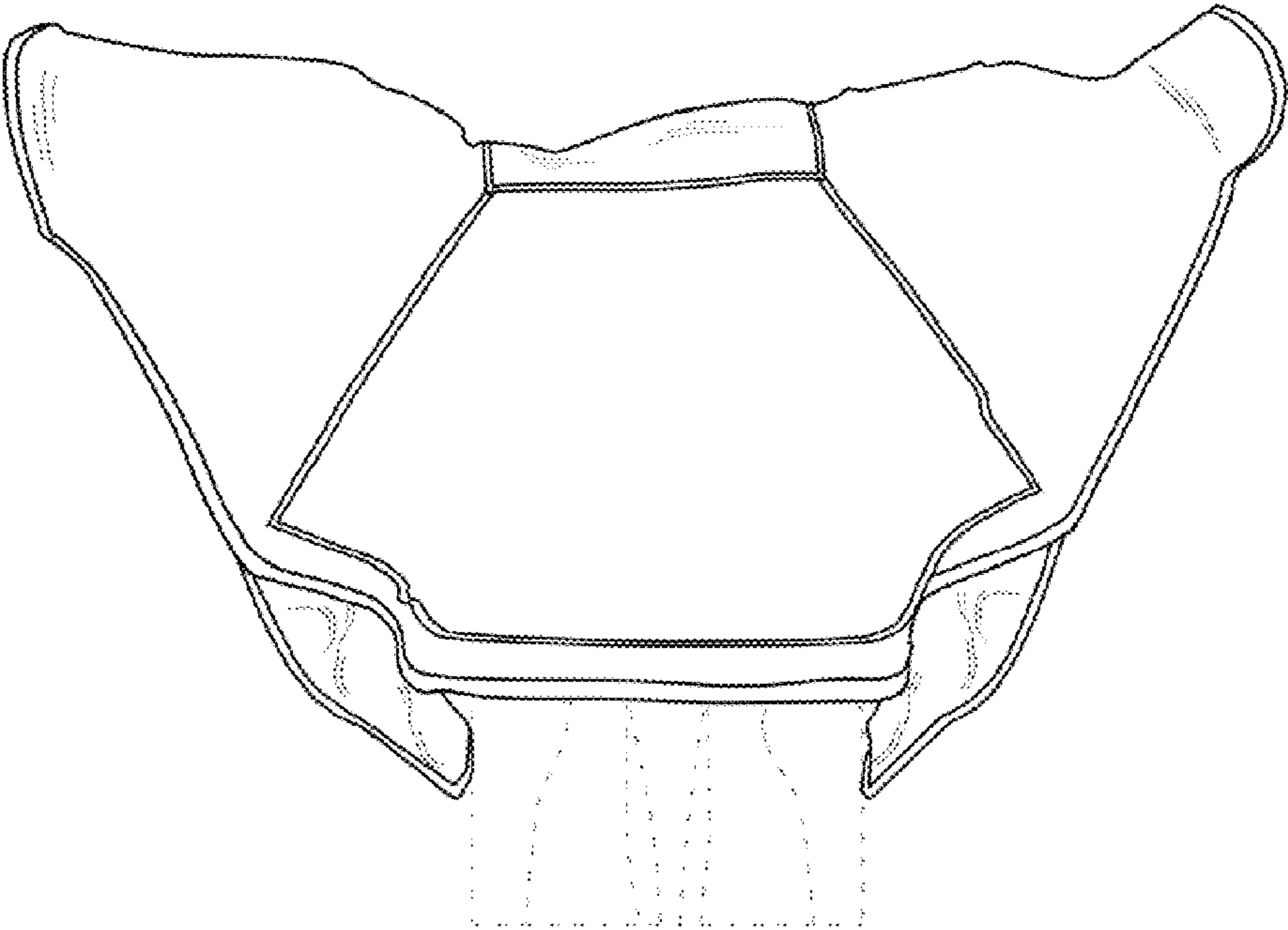


FIG. 6

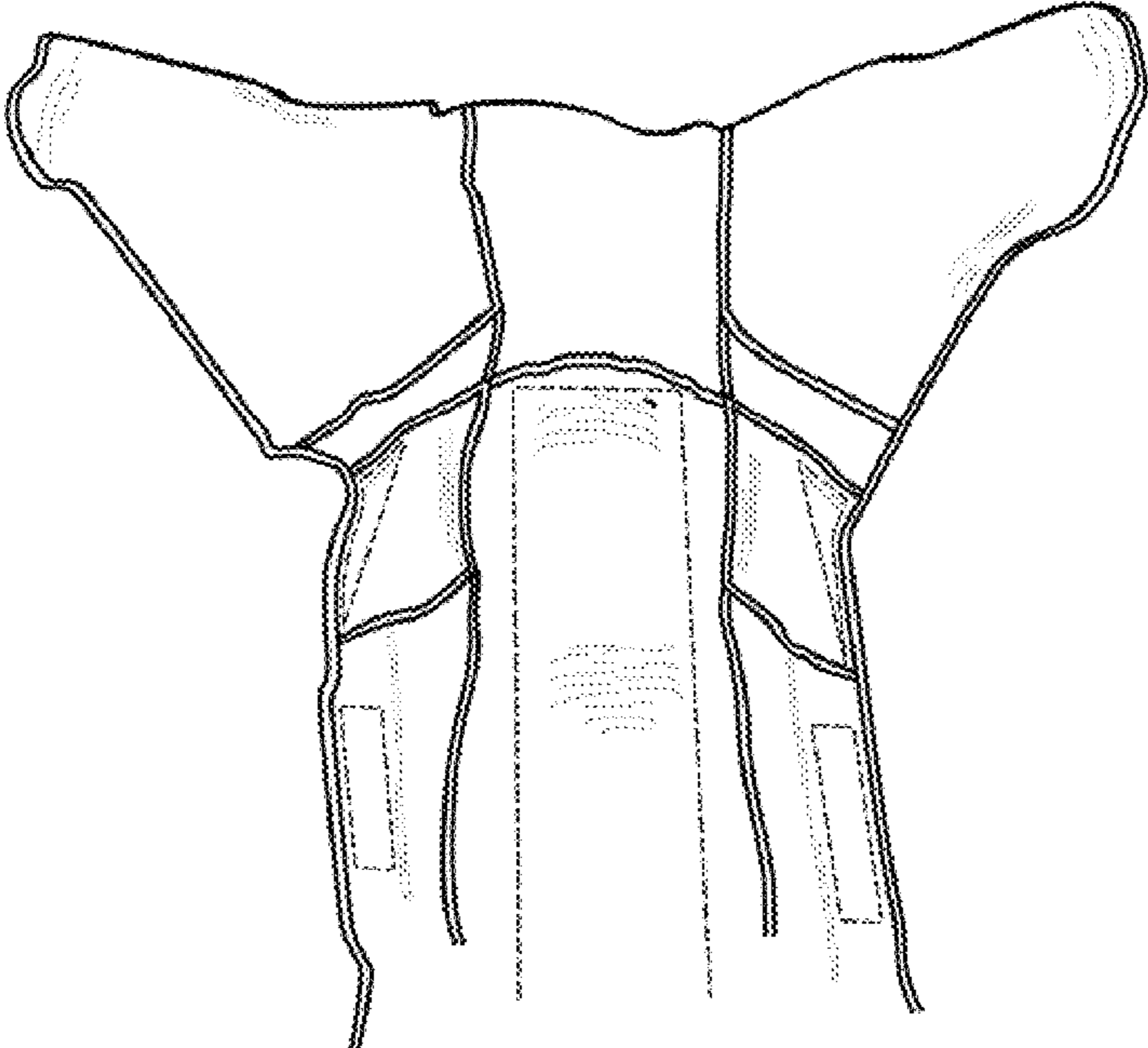


FIG. 7

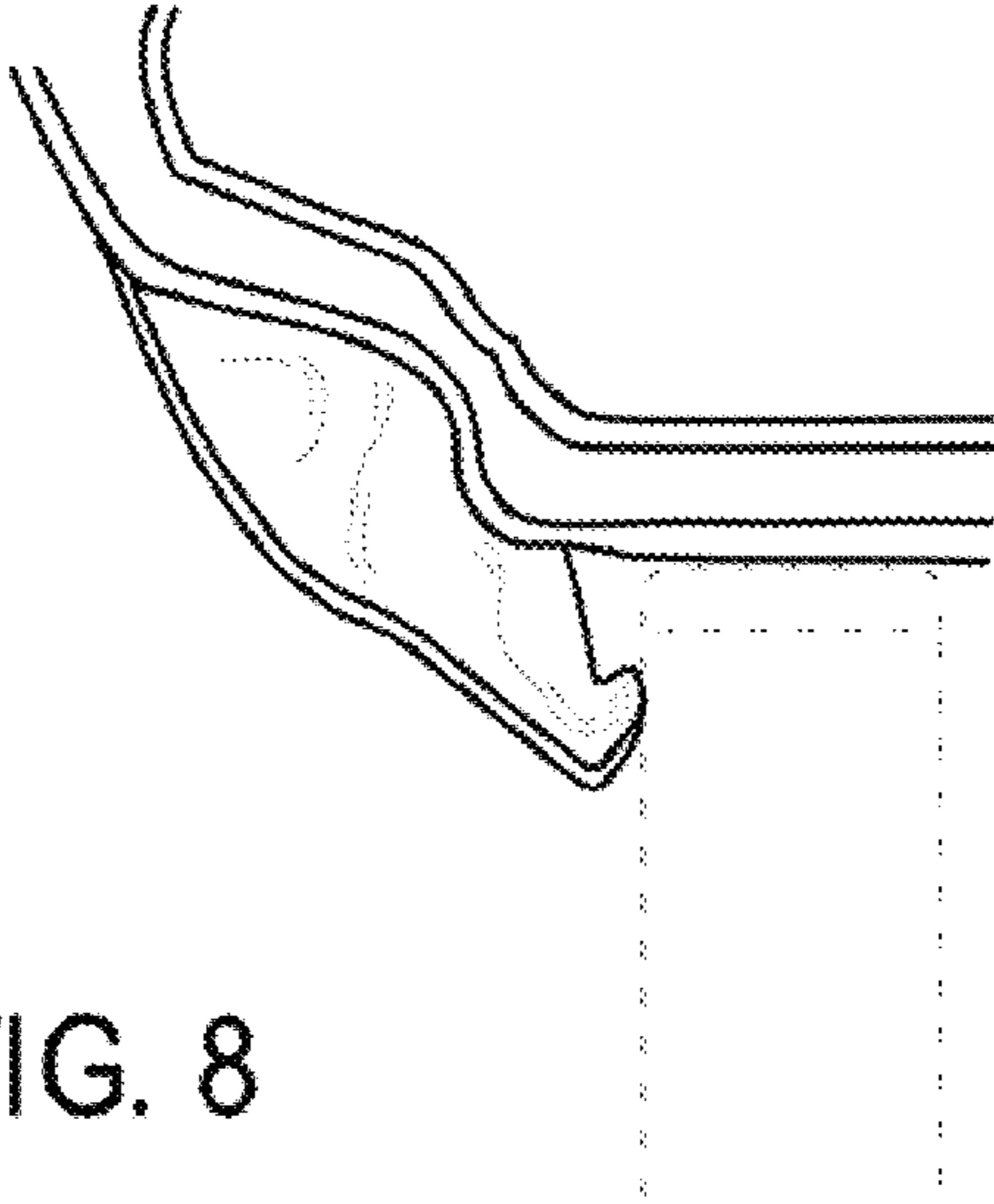


FIG. 8

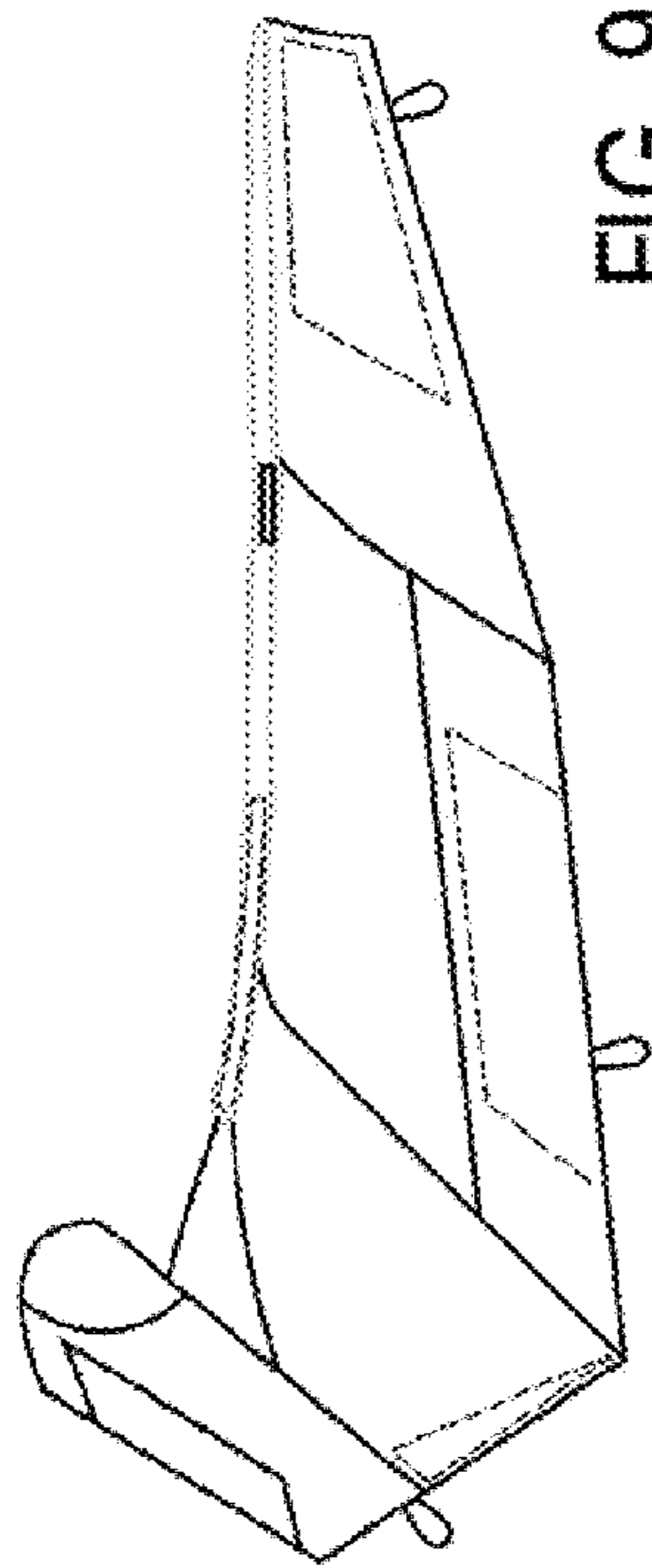


FIG. 9

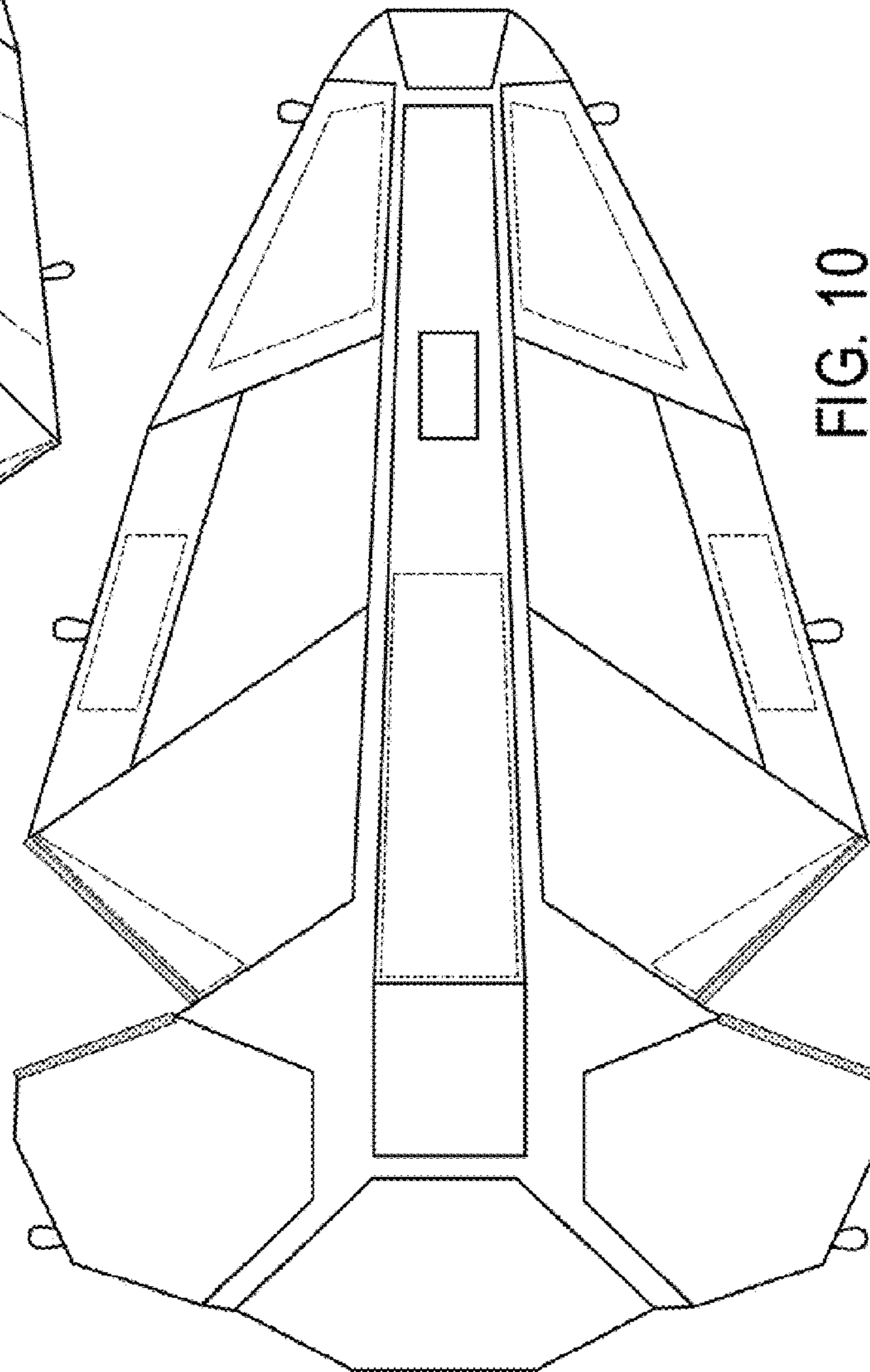


FIG. 10

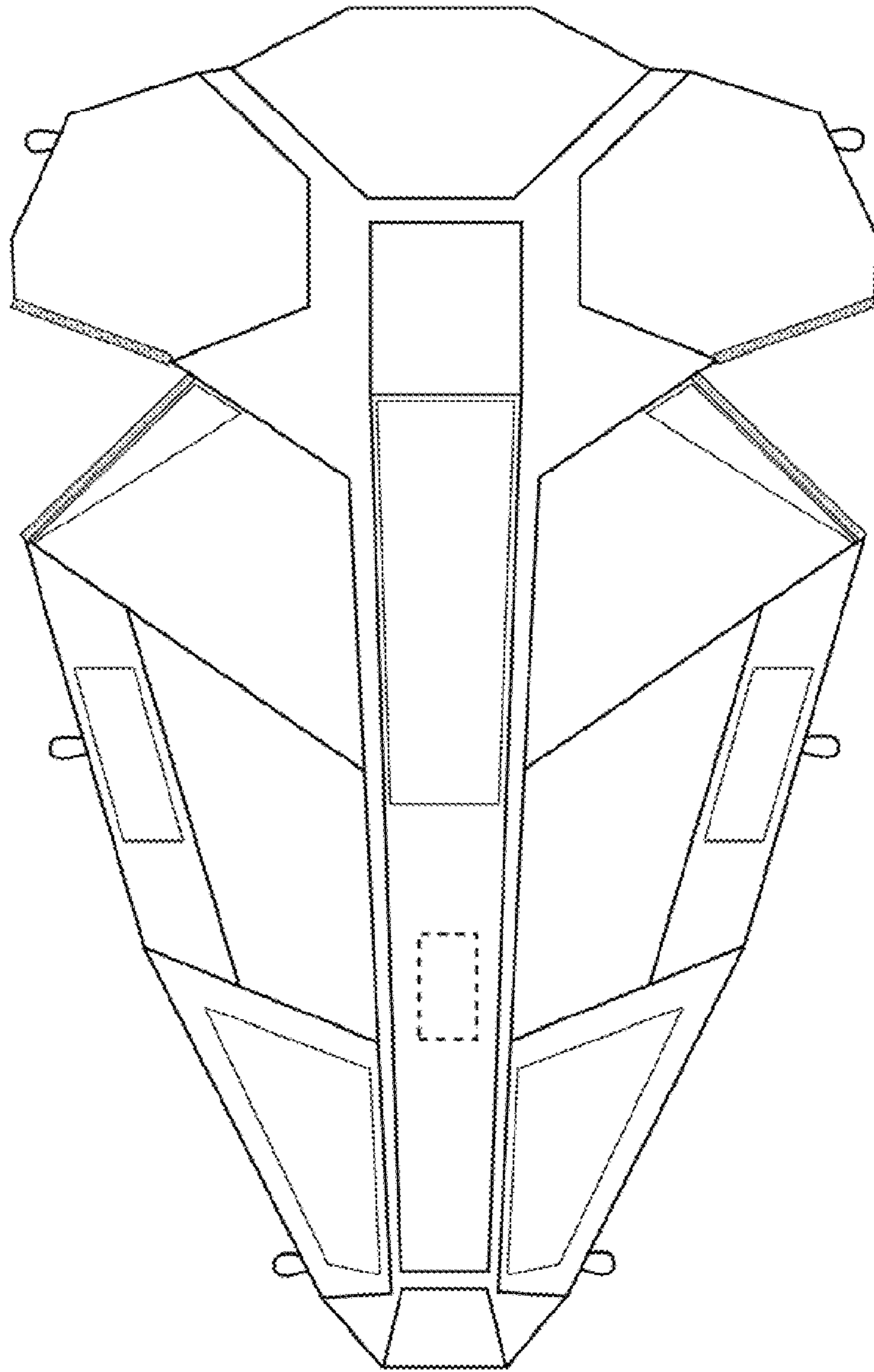


FIG. 11