



US00D642968S

(12) **United States Design Patent**
Zhao

(10) **Patent No.:** **US D642,968 S**

(45) **Date of Patent:** **** Aug. 9, 2011**

(54) **CANARD AIRPLANE**

(76) Inventor: **Jie Zhao**, Midlothian, VA (US)

(**) Term: **14 Years**

(21) Appl. No.: **29/342,882**

(22) Filed: **Sep. 2, 2009**

(51) **LOC (9) Cl.** **12-07**

(52) **U.S. Cl.** **D12/344**

(58) **Field of Classification Search** D12/319,
D12/331-333, 337, 339, 344; 244/13, 15,
244/29, 45 A, 45 R, 91, 92; 446/56, 57; D21/447,
D21/448

See application file for complete search history.

(56) **References Cited**

U.S. PATENT DOCUMENTS

3,188,022 A * 6/1965 Ornberg 244/45 A
D233,425 S * 10/1974 Duryea D12/337
D259,554 S * 6/1981 Parise et al. D12/332
D269,669 S * 7/1983 Hancock et al. D12/332

4,913,380 A * 4/1990 Vardaman et al. 244/135 R
D499,687 S * 12/2004 Fraser D12/319
D532,742 S * 11/2006 Pan D12/319

* cited by examiner

Primary Examiner — Cathron C. Brooks

Assistant Examiner — Maurice Stevens

(57) **CLAIM**

The ornamental design for a canard airplane, as shown and described.

DESCRIPTION

FIG. 1 is a perspective view taken from above and about three-quarter front of a canard airplane embodying the current design;

FIG. 2 is a top plan view thereof;

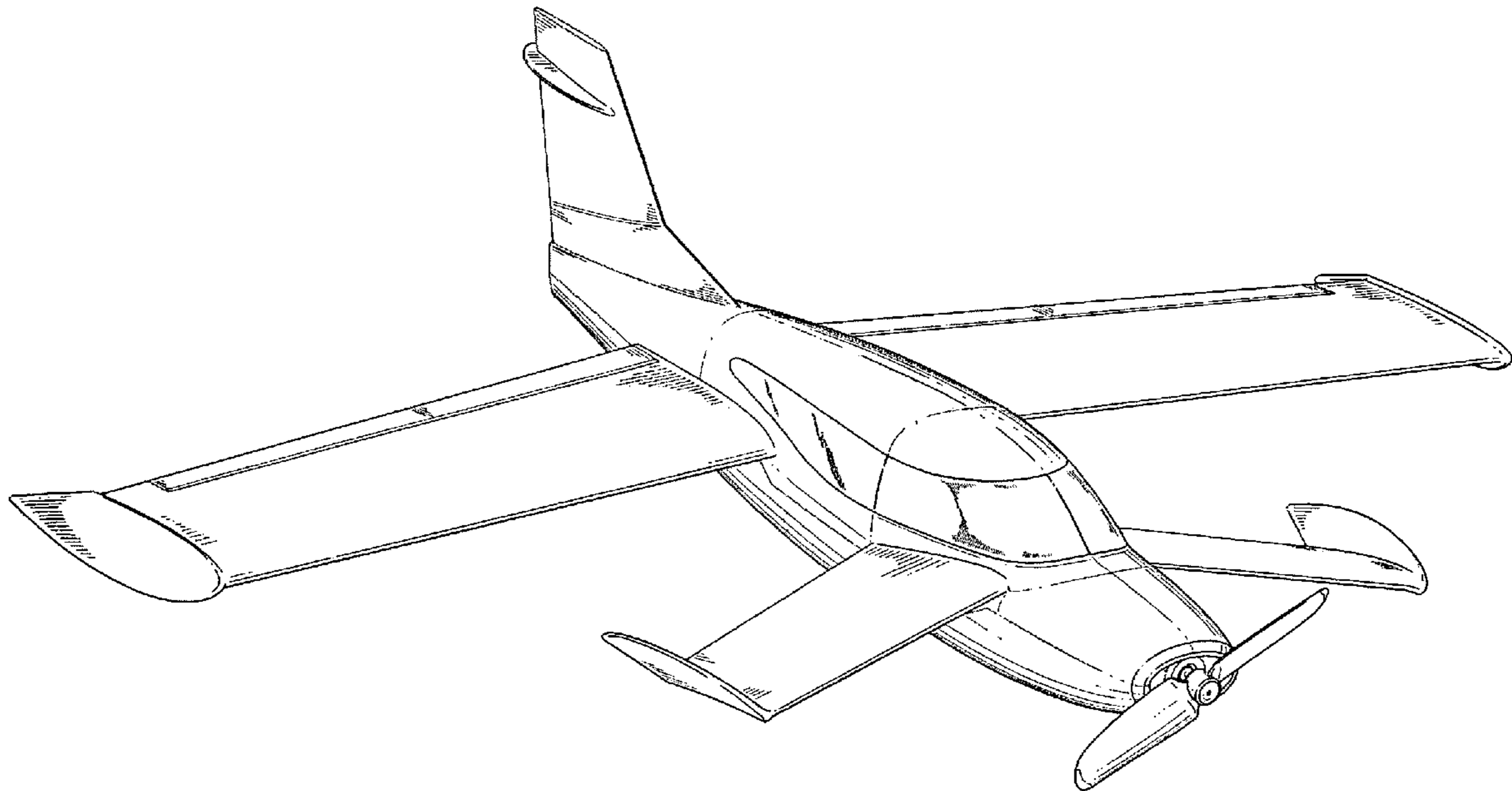
FIG. 3 is a bottom view thereof;

FIG. 4 is a front elevation thereof;

FIG. 5 is a rear elevation thereof; and,

FIG. 6 is a left side elevation thereof.

1 Claim, 5 Drawing Sheets



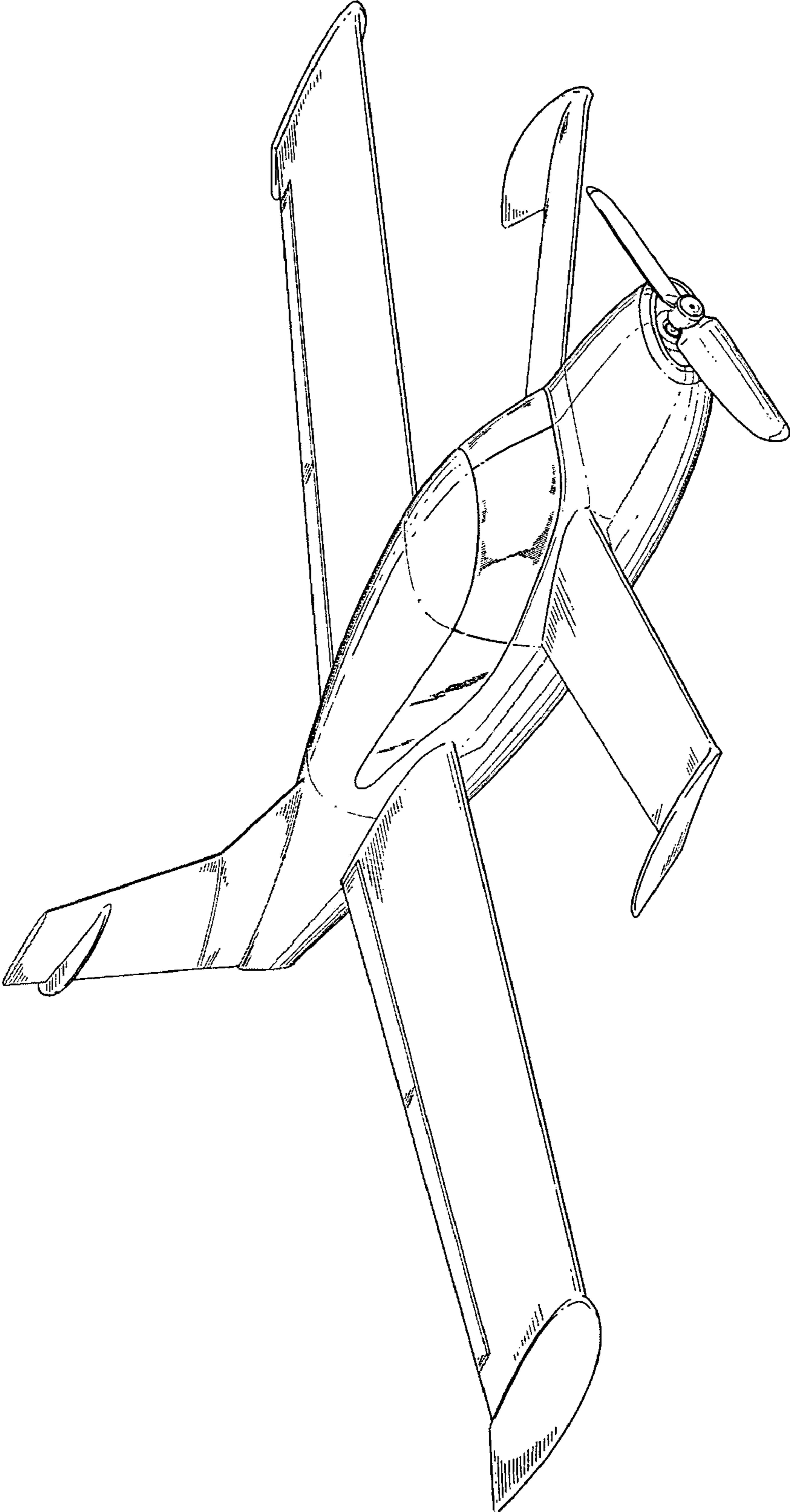


Fig 1

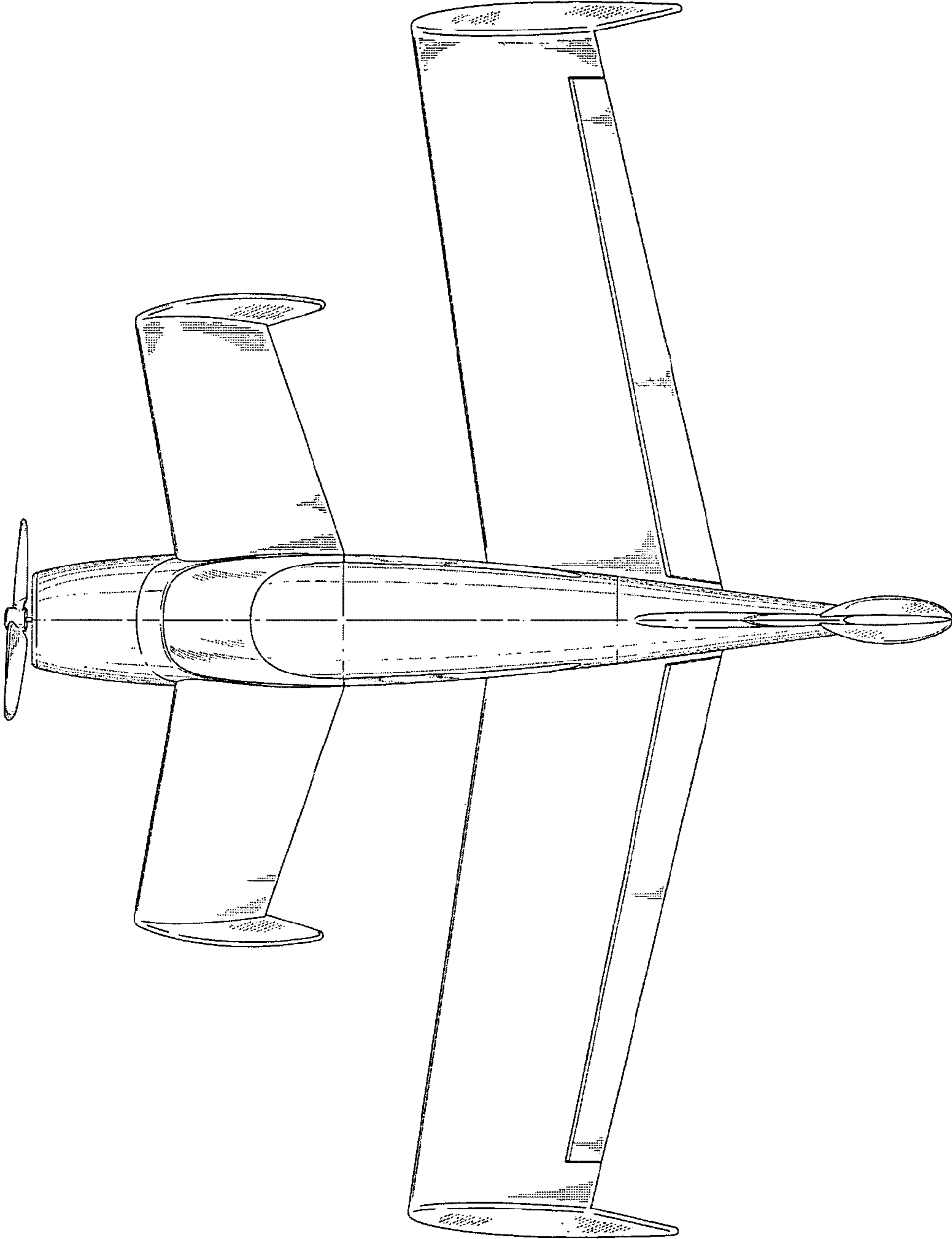


Fig 2

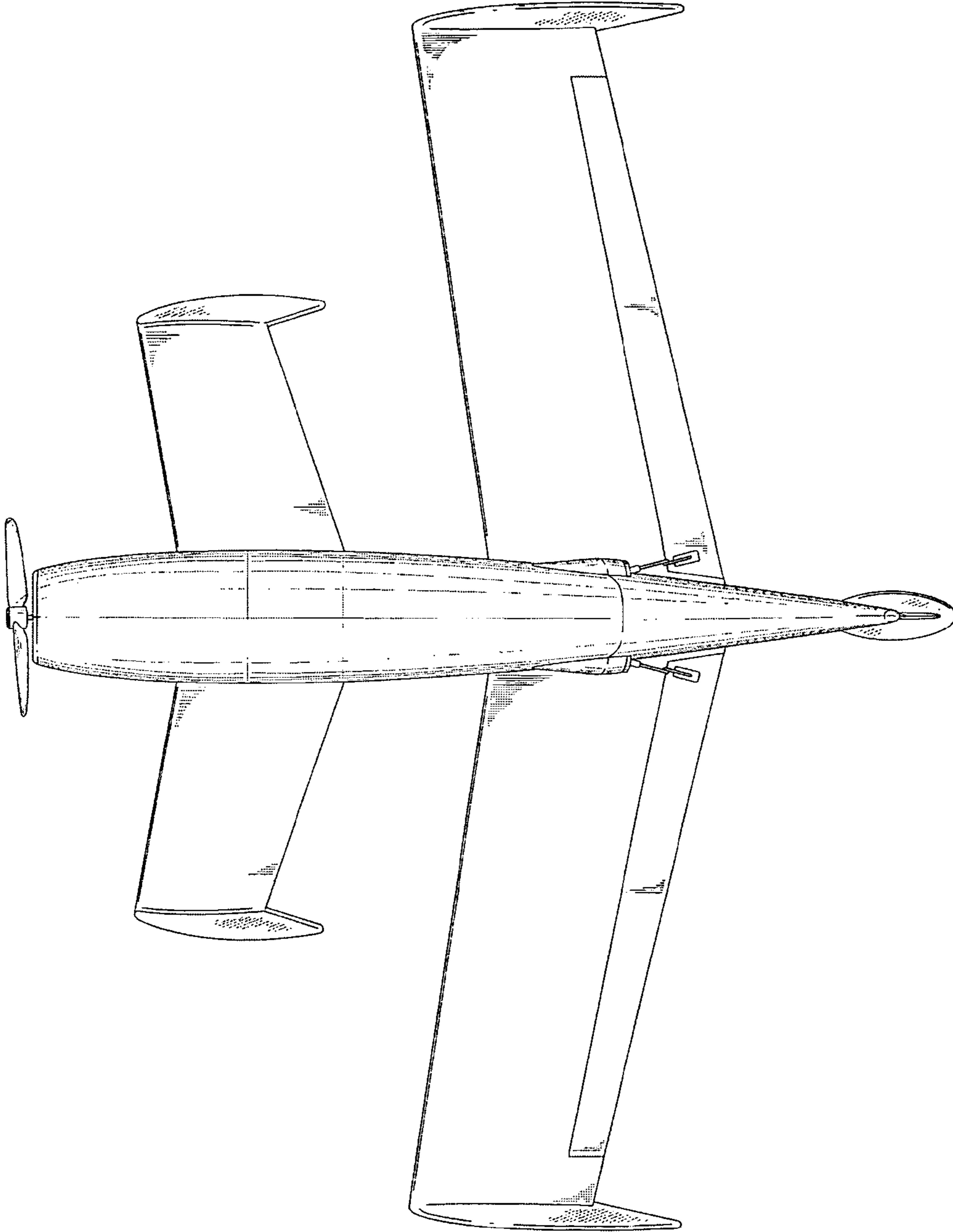


Fig 3

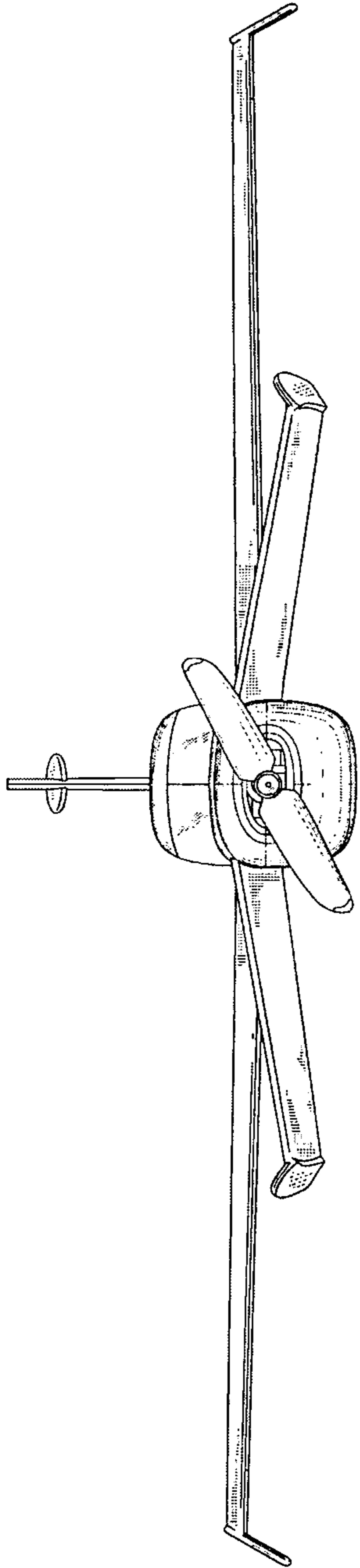


Fig 4

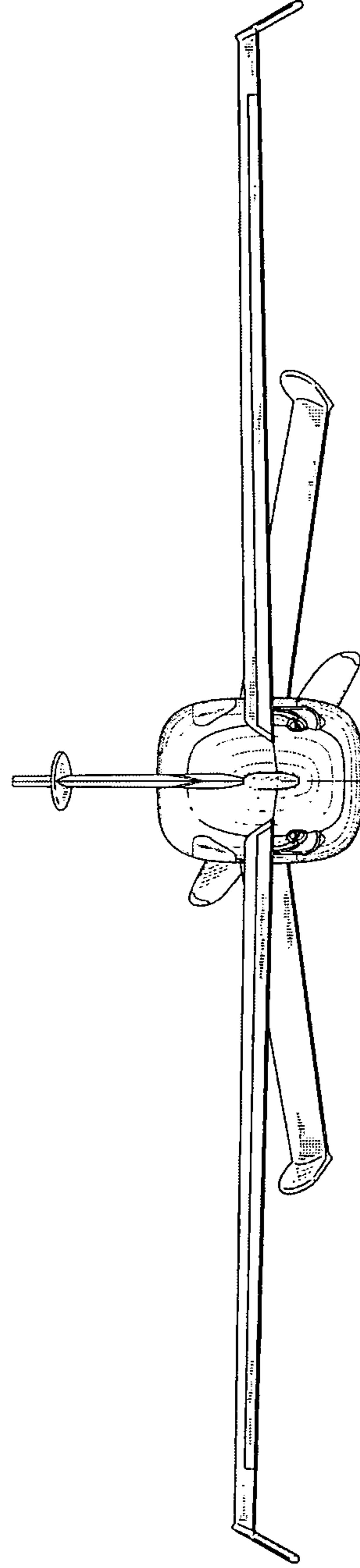


Fig 5

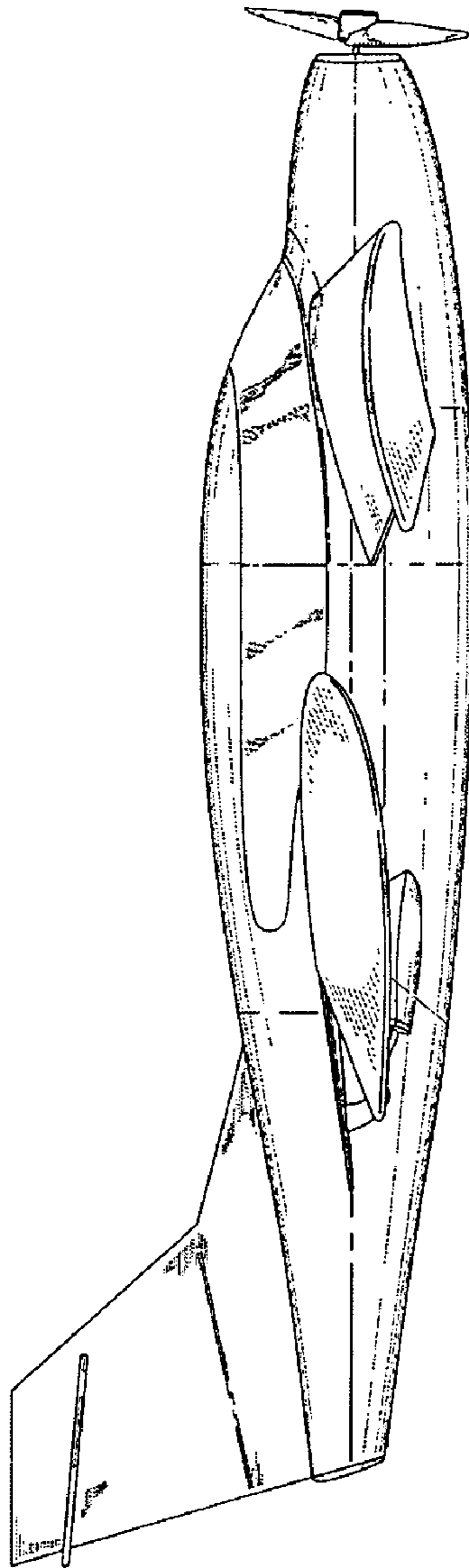


Fig 6