



US00D642967S

(12) **United States Design Patent**
Lamm et al.

(10) **Patent No.:** **US D642,967 S**

(45) **Date of Patent:** **** Aug. 9, 2011**

(54) **VEHICLE WHEEL COVER**

(75) Inventors: **Stefan Lamm**, Cologne (DE); **Kemal Curic**, Dortmund (DE)

(73) Assignee: **Ford Motor Company**, Dearborn, MI (US)

(**) Term: **14 Years**

(21) Appl. No.: **29/382,557**

(22) Filed: **Jan. 5, 2011**

(51) **LOC (9) Cl.** **12-16**

(52) **U.S. Cl.** **D12/209**

(58) **Field of Classification Search** D12/204-213;
301/37.101, 64.101, 65, 64.201

See application file for complete search history.

(56) **References Cited**

U.S. PATENT DOCUMENTS

D472,866 S	*	4/2003	Pfeiffer et al.	D12/211
D500,277 S	*	12/2004	Kataoka	D12/209
D509,175 S	*	9/2005	Marji	D12/209
D515,491 S	*	2/2006	Elmitt	D12/209
D528,958 S	*	9/2006	Kim	D12/209
D549,149 S		8/2007	Thomas et al.		

D572,649 S	*	7/2008	Laengerer	D12/211
D601,075 S	*	9/2009	Szavits	D12/211
D621,319 S	*	8/2010	Nissl	D12/209
D621,767 S	*	8/2010	Ectors et al.	D12/209
D623,108 S	*	9/2010	Spoerle	D12/209
D626,487 S		11/2010	Leng		
D631,813 S	*	2/2011	Nissl	D12/209
D635,078 S	*	3/2011	Elmitt	D12/209

* cited by examiner

Primary Examiner — Stacia Cadmus

(74) *Attorney, Agent, or Firm* — Frank A. MacKenzie; Brooks Kushman P.C.

(57) **CLAIM**

The ornamental design for a vehicle wheel cover, as shown and described.

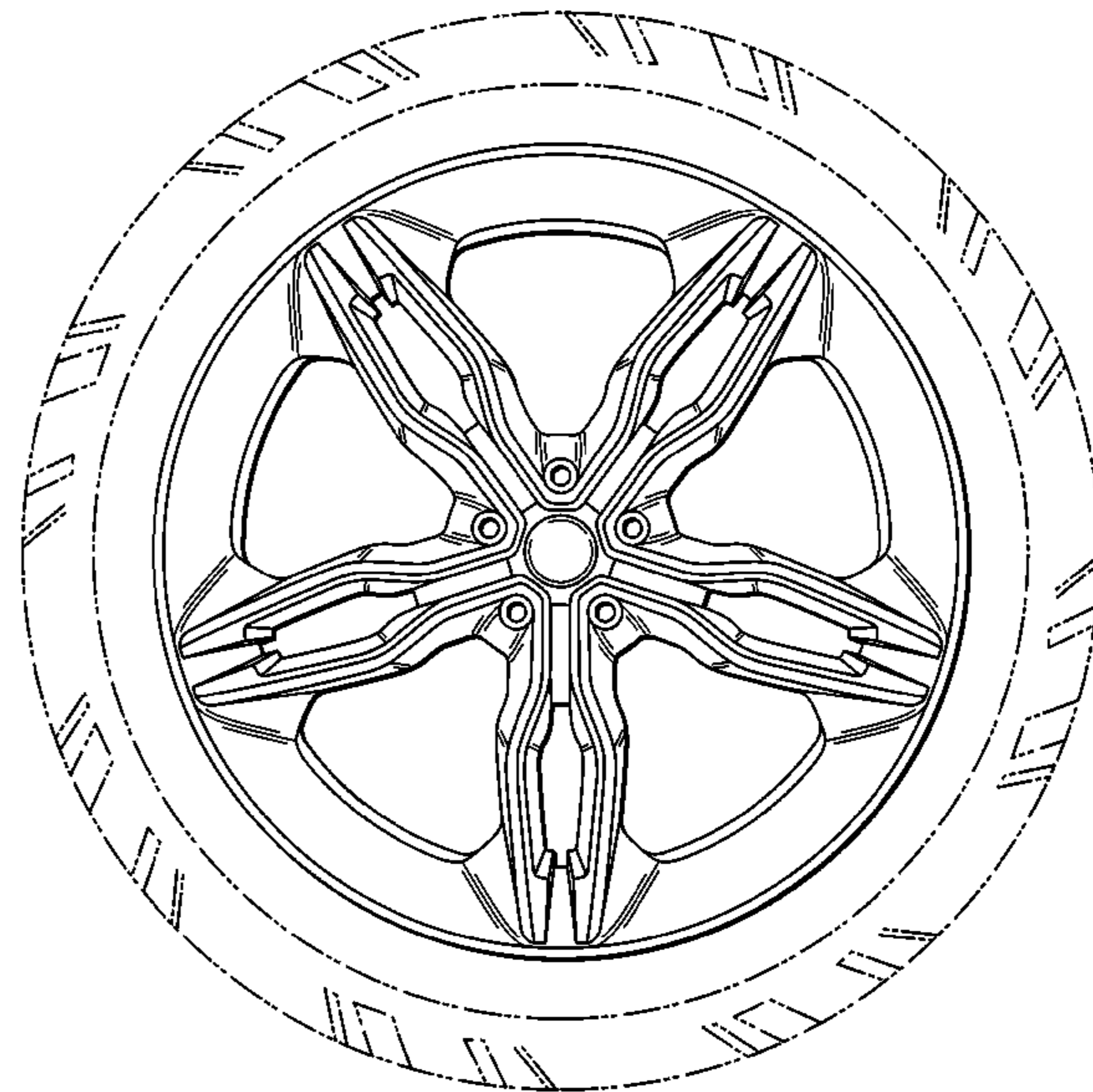
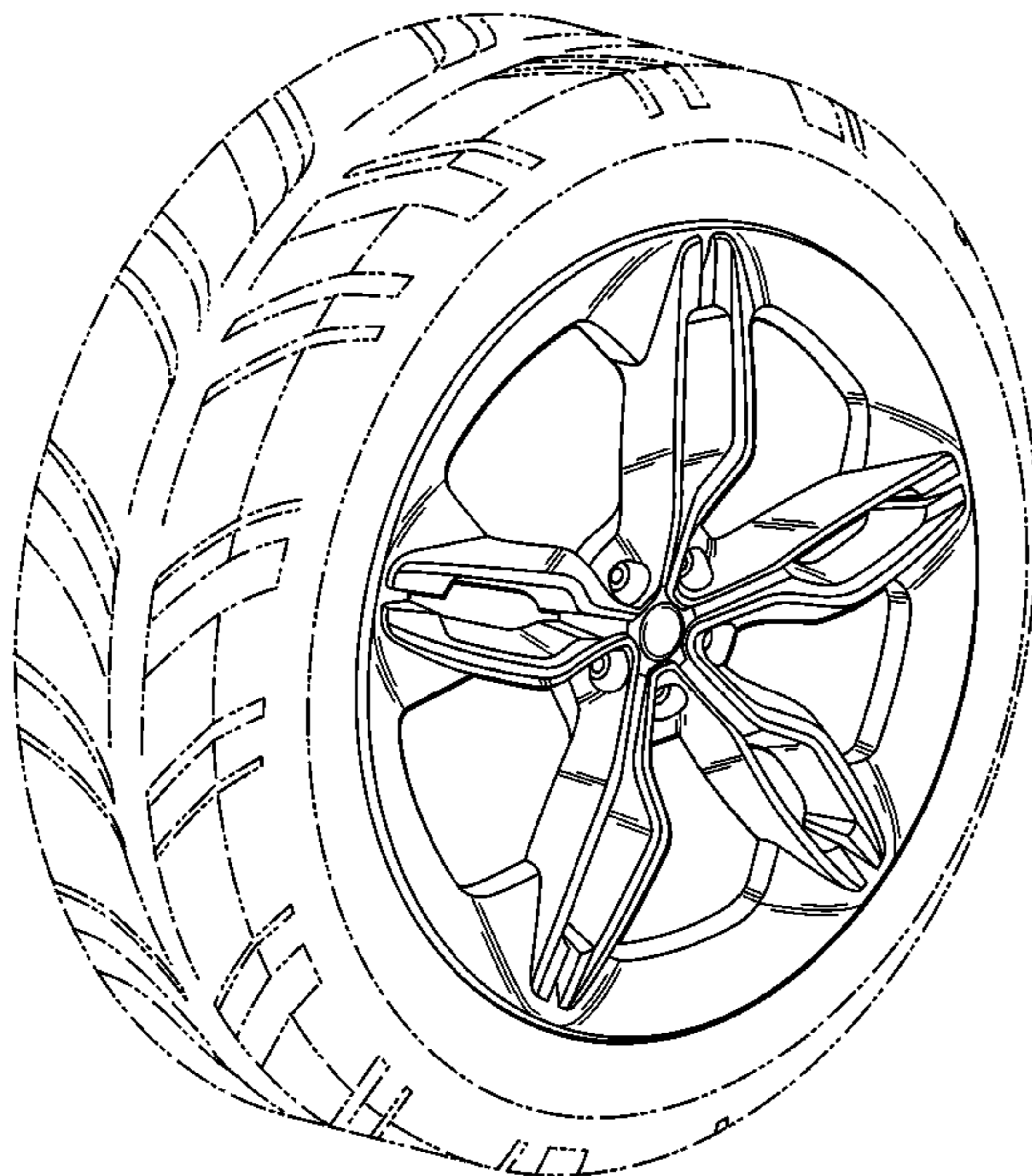
DESCRIPTION

FIG. 1 is a perspective view of an embodiment of a vehicle wheel cover; and,

FIG. 2 is a front view of the vehicle wheel cover of FIG. 1.

The broken line showing of the tire is included for the purpose of illustrating environment and forms no part of the claimed design.

1 Claim, 2 Drawing Sheets



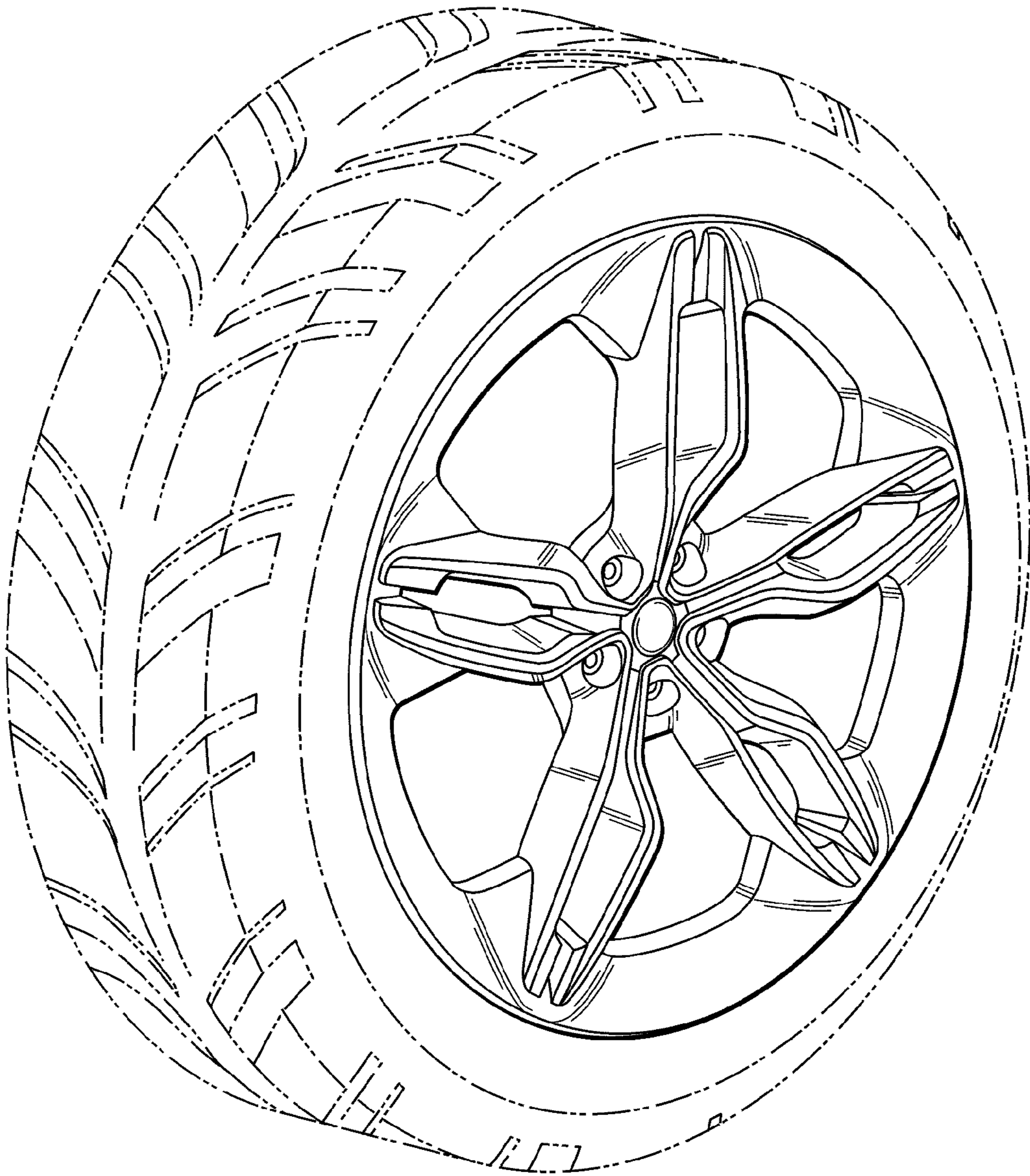


Fig. 1

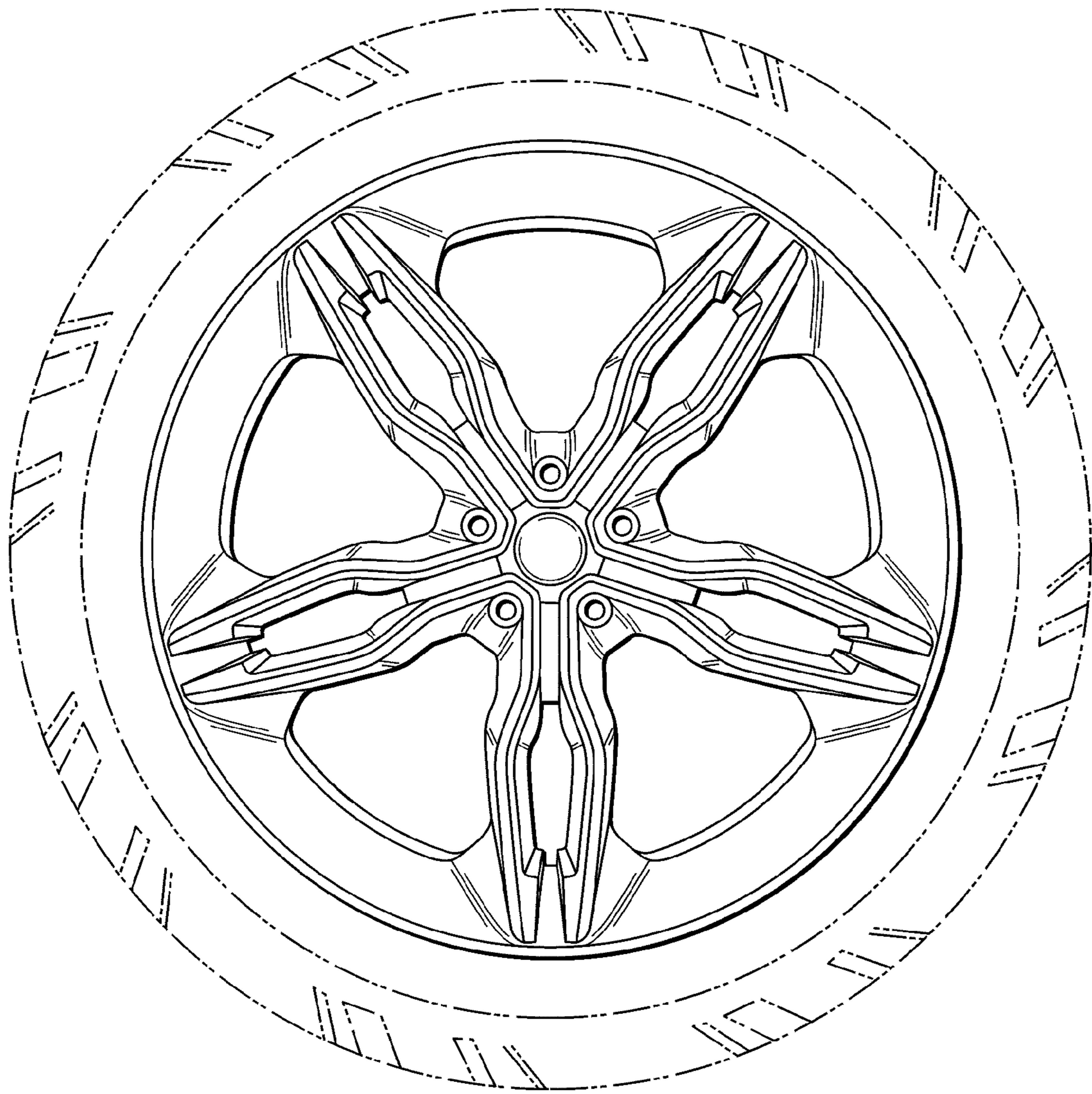


Fig. 2