



US00D642966S

(12) **United States Design Patent**
Messale

(10) **Patent No.:** **US D642,966 S**
(45) **Date of Patent:** **** Aug. 9, 2011**

(54) **VEHICLE FENDER**

(75) Inventor: **Claudio Messale**, Köln (DE)

(73) Assignee: **Ford Global Technologies, LLC**,
Dearborn, MI (US)

(**) Term: **14 Years**

(21) Appl. No.: **29/382,805**

(22) Filed: **Jan. 7, 2011**

(51) **LOC (9) Cl.** **12-08**

(52) **U.S. Cl.** **D12/181**

(58) **Field of Classification Search** D12/181,
D12/184, 191, 196, 400, 190, 88; 280/848,
280/770, 727; 296/91, 180.1–180.5, 903
See application file for complete search history.

(56) **References Cited**

U.S. PATENT DOCUMENTS

D536,648	S	*	2/2007	Fujimaki	D12/184
D580,326	S		11/2008	Gueler et al.		
D600,614	S	*	9/2009	Lamm	D12/184
D603,773	S	*	11/2009	Schiavone et al.	D12/184
D606,919	S	*	12/2009	Sahs	D12/184
D610,512	S	*	2/2010	Bucher et al.	D12/184
D614,554	S	*	4/2010	Noguchi et al.	D12/181
D626,044	S	*	10/2010	Yamazaki	D12/181
D631,413	S	*	1/2011	Kuze	D12/181

OTHER PUBLICATIONS

Ford Kuga, Frankfurt Motot Show, Sep. 11, 2007.
Ford Kuga, Geneva Auto Show, Mar. 2, 2010.

* cited by examiner

Primary Examiner — Caron D Veynar

Assistant Examiner — Katrina Kile

(74) *Attorney, Agent, or Firm* — Damian Porcari

(57) **CLAIM**

The ornamental design for a vehicle fender, as shown and described.

DESCRIPTION

FIG. 1 is a left side elevational view of a left vehicle fender (the right vehicle fender being a mirror image and is not shown);

FIG. 2 is a right side elevational view of the vehicle fender;

FIG. 3 is a front elevational view of the vehicle fender;

FIG. 4 is a rear elevational view of the vehicle fender;

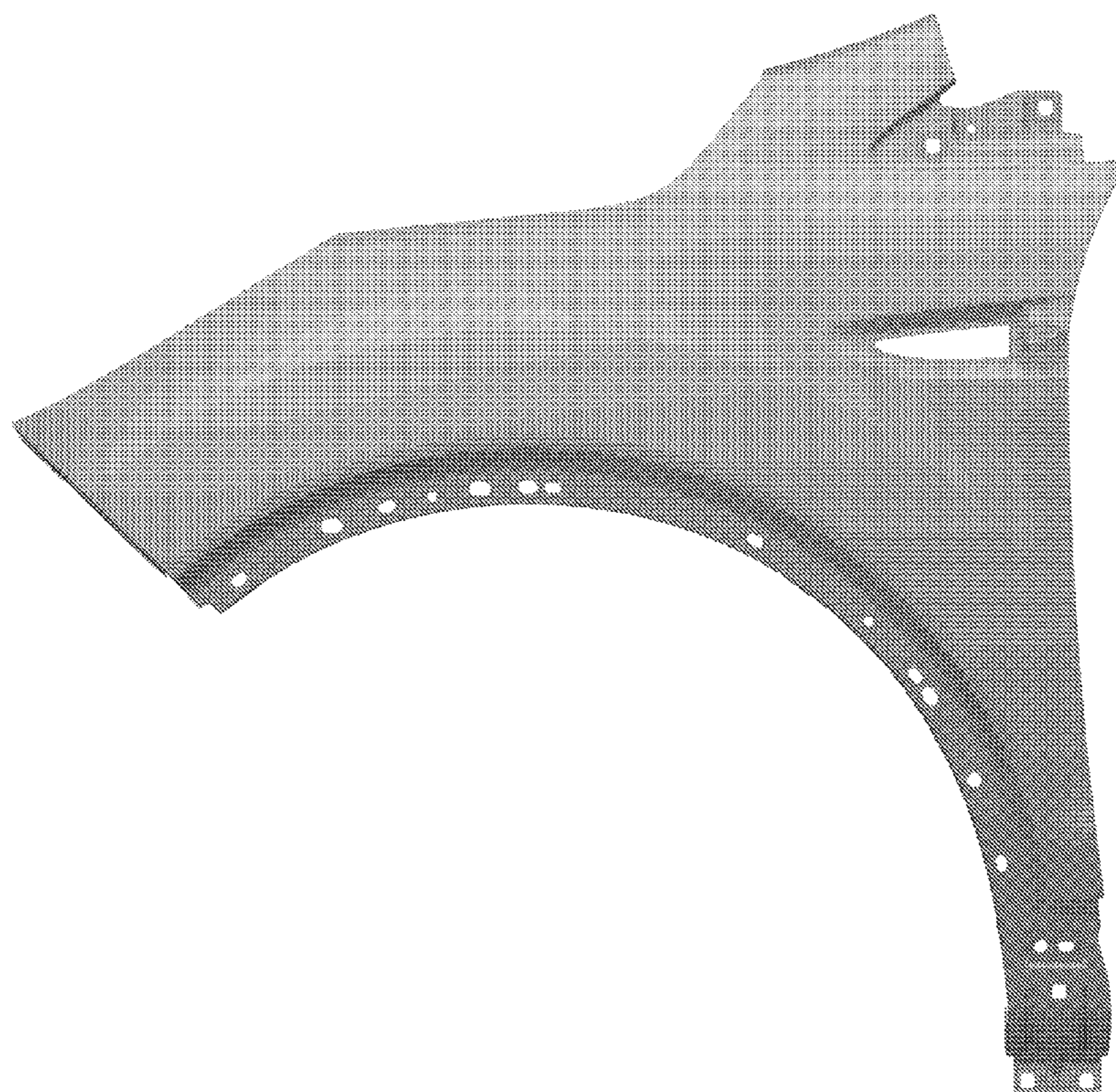
FIG. 5 is a top plan view of the vehicle fender;

FIG. 6 is a bottom plan view of the vehicle fender;

FIG. 7 is a perspective view of the vehicle fender; and,

FIG. 8 is another perspective view of the vehicle fender.

1 Claim, 8 Drawing Sheets



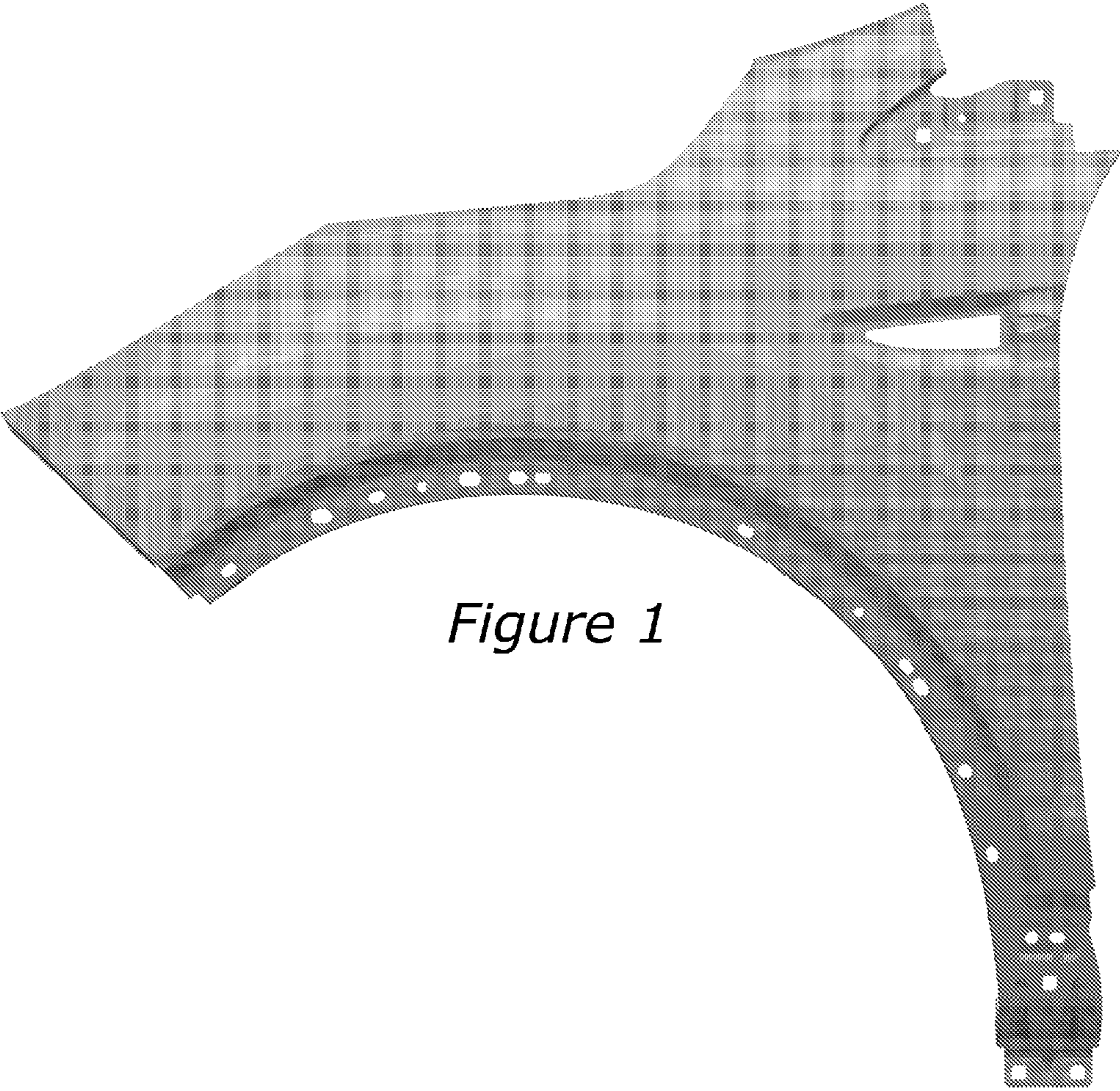


Figure 1

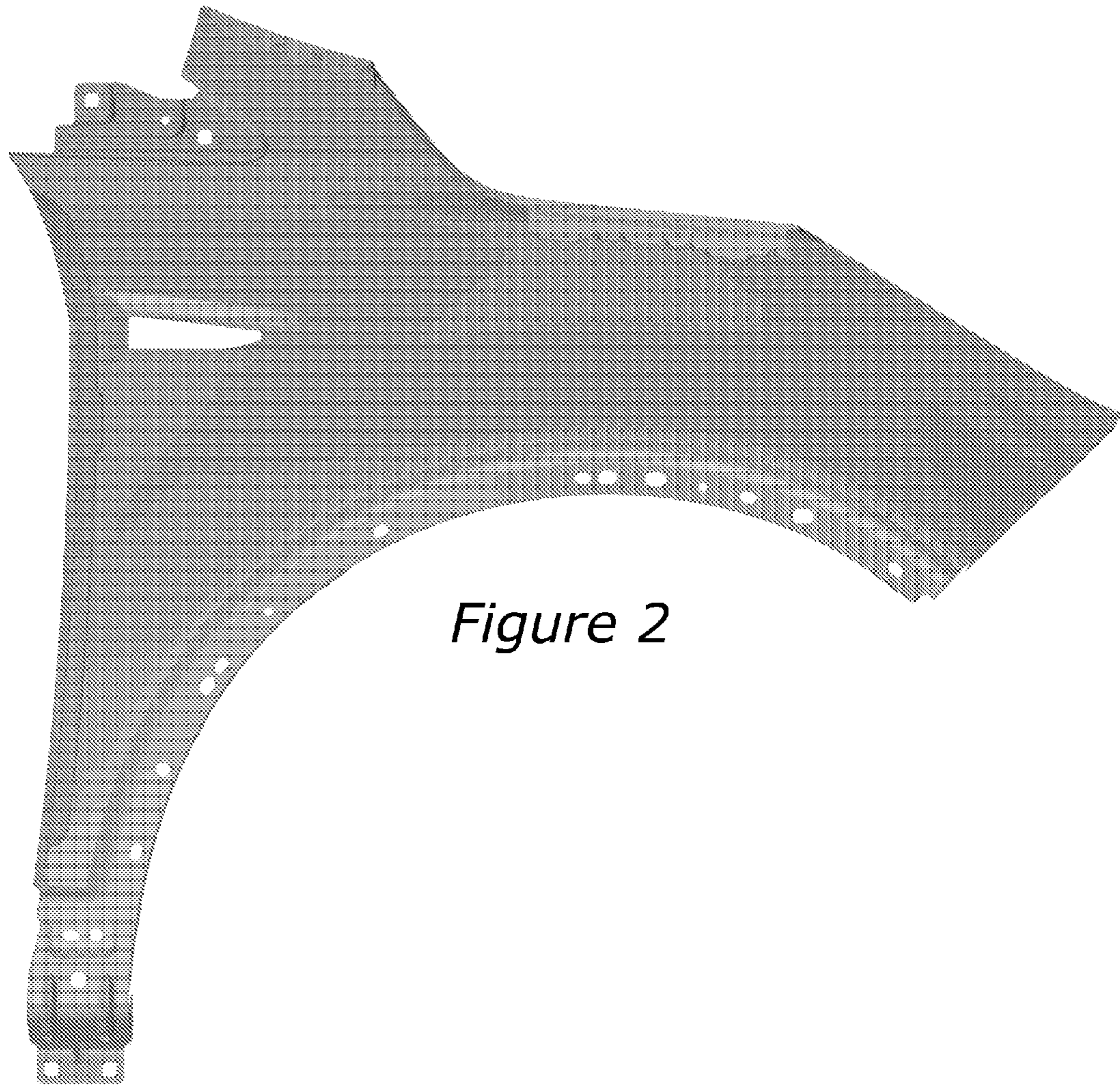


Figure 2

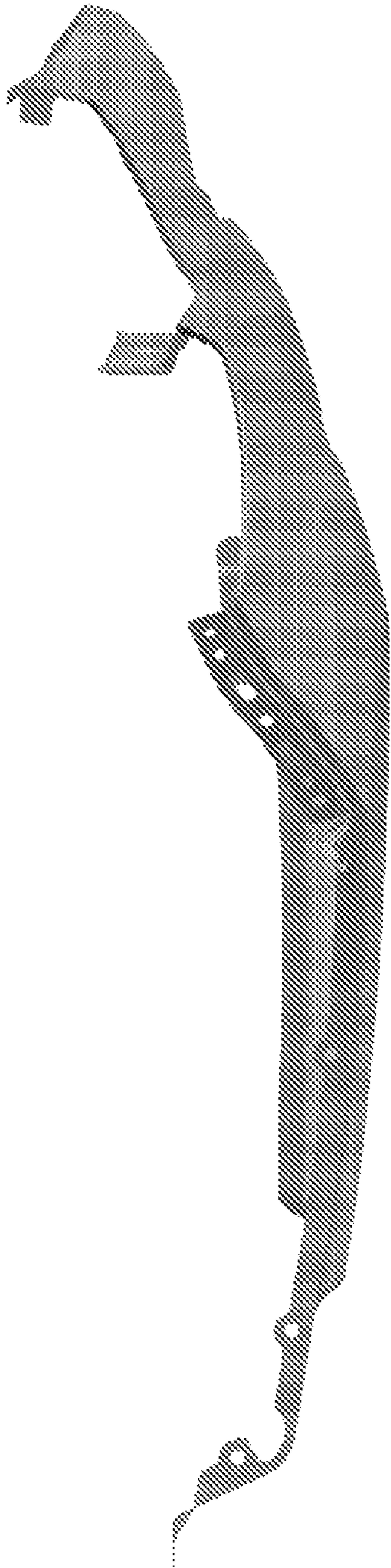


Figure 3

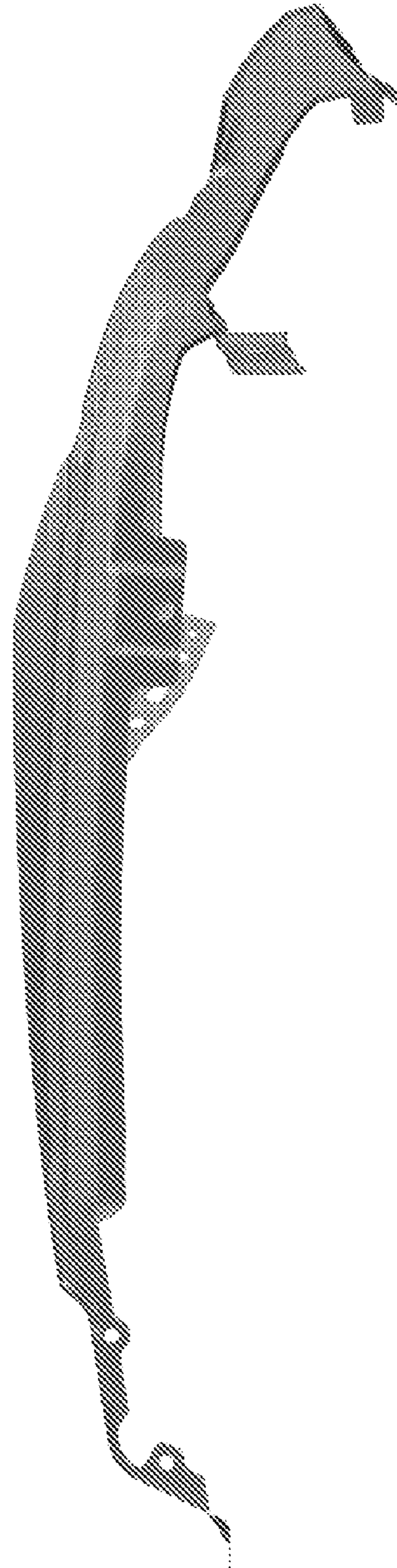


Figure 4

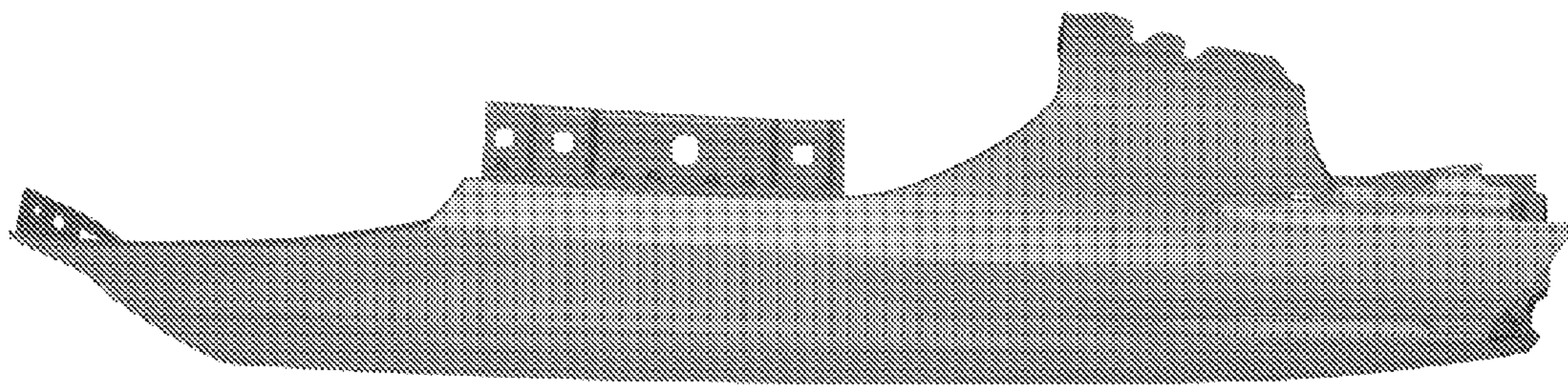


Figure 5

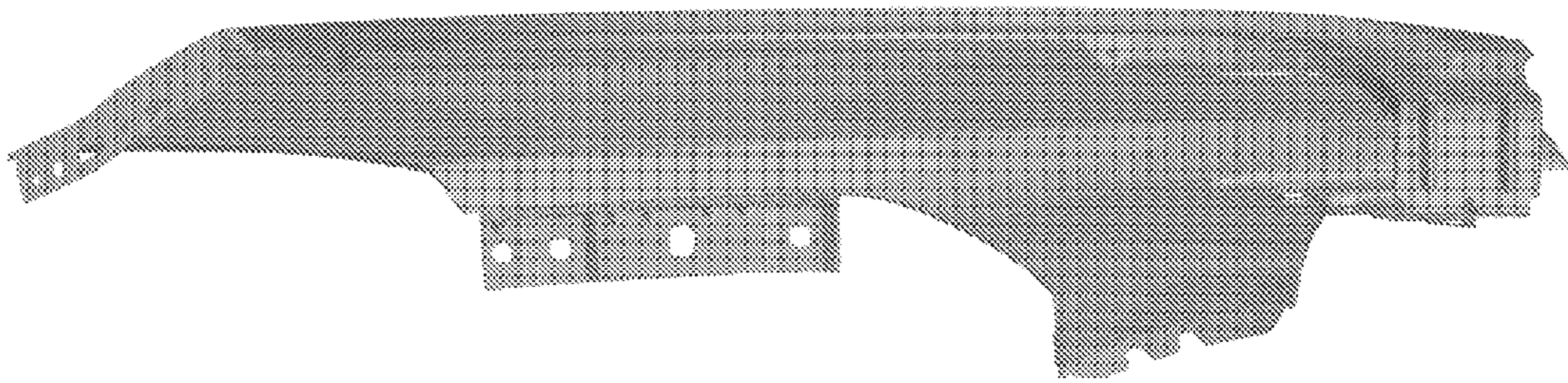
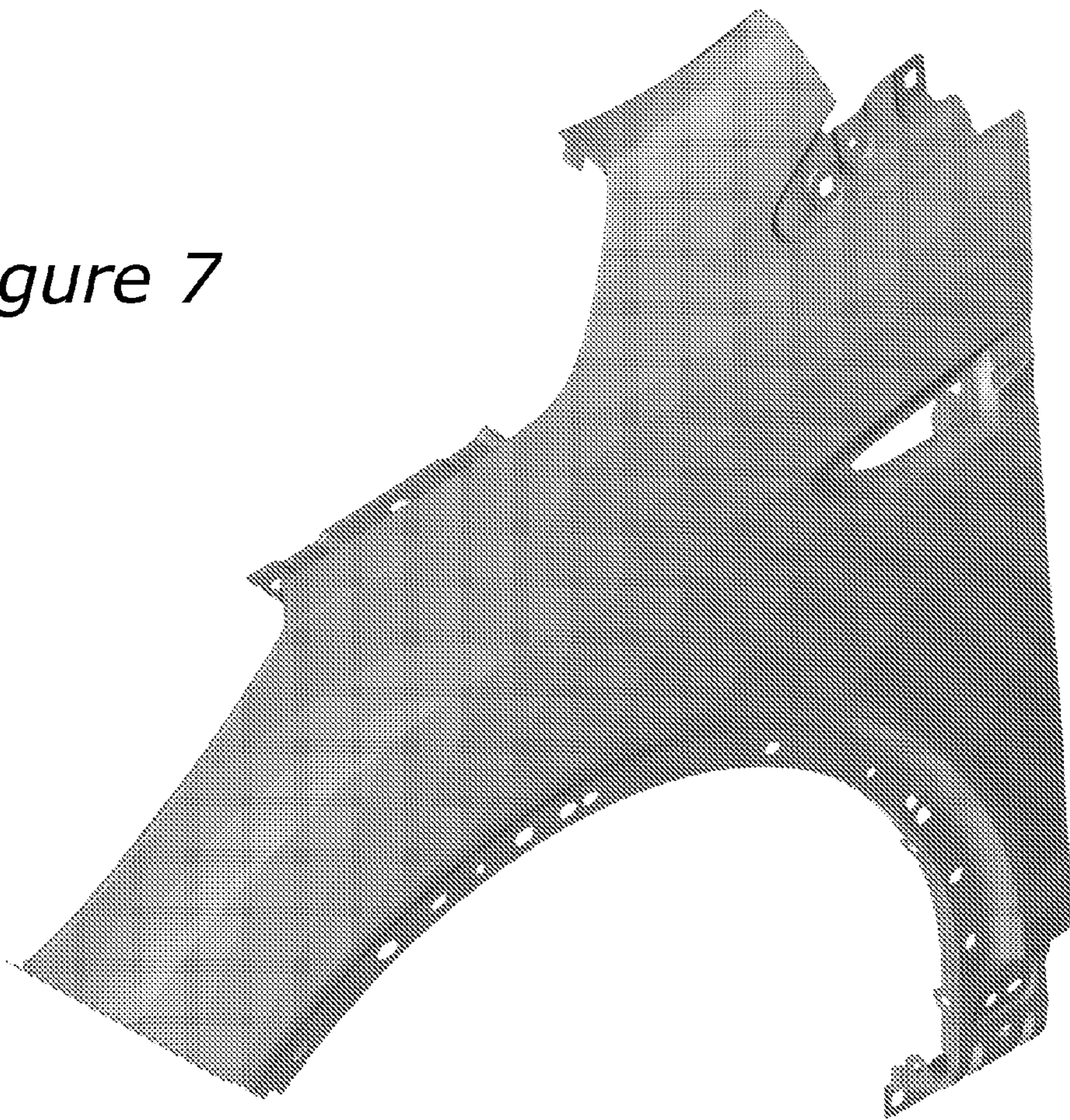


Figure 6

Figure 7



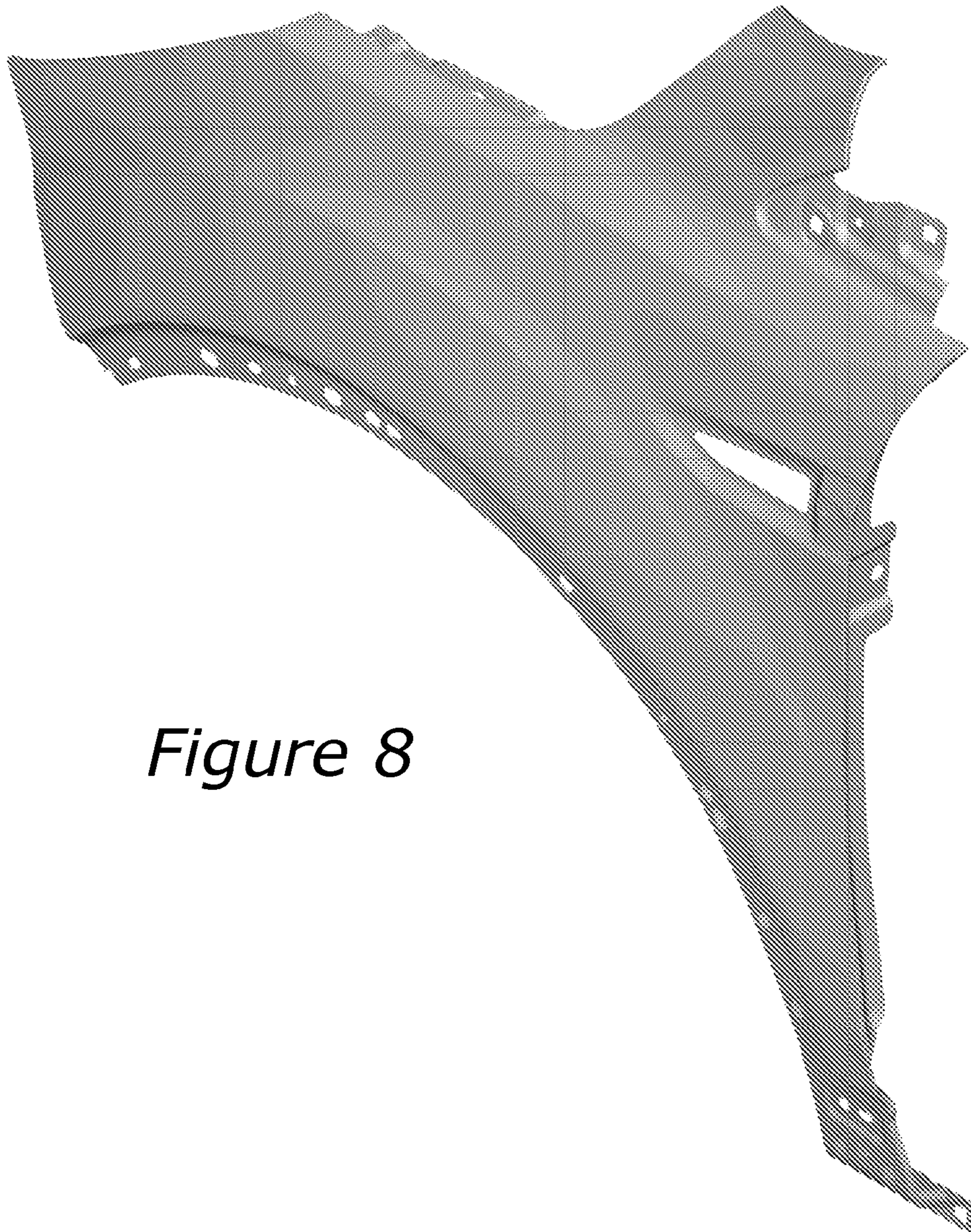


Figure 8