



US00D642964S

(12) **United States Design Patent**
Miyazawa

(10) **Patent No.:** **US D642,964 S**

(45) **Date of Patent:** **** Aug. 9, 2011**

(54) **GRILL FOR AUTOMOBILE**

(75) Inventor: **Takuya Miyazawa**, Wako (JP)

(73) Assignee: **Honda Motor Co., Ltd.**, Tokyo (JP)

(**) Term: **14 Years**

(21) Appl. No.: **29/381,334**

(22) Filed: **Dec. 17, 2010**

(30) **Foreign Application Priority Data**

Jul. 5, 2010 (JP) 2010-016307

(51) **LOC (9) Cl.** **12-16**

(52) **U.S. Cl.** **D12/163**

(58) **Field of Classification Search** D12/163,
D12/196, 171, 169, 216, 90-92, 86; 180/68.1,
180/68.6; 296/193.11

See application file for complete search history.

(56) **References Cited**

U.S. PATENT DOCUMENTS

D562,741 S * 2/2008 Matsumoto et al. D12/163
D565,480 S * 4/2008 McMahan D12/163
D616,341 S * 5/2010 Fukui et al. D12/163

D616,342 S * 5/2010 Kim D12/163
D625,670 S * 10/2010 Roller et al. D12/163
D633,831 S * 3/2011 Matei et al. D12/163

FOREIGN PATENT DOCUMENTS

JP D1398099 9/2010

* cited by examiner

Primary Examiner — Melody N Brown

(74) *Attorney, Agent, or Firm* — Birch, Stewart, Kolasch & Birch, LLP

(57) **CLAIM**

The ornamental design for a grill for automobile, as shown and described.

DESCRIPTION

FIG. 1 is a perspective view from the front of a grill for automobile.

FIG. 2 is a front elevation view thereof.

FIG. 3 is a top plan view thereof; and,

FIG. 4 is a right side elevation view thereof.

The portion of the grill shown in broken lines is for the purpose of showing background structure only and forms no part of the claimed design.

1 Claim, 4 Drawing Sheets

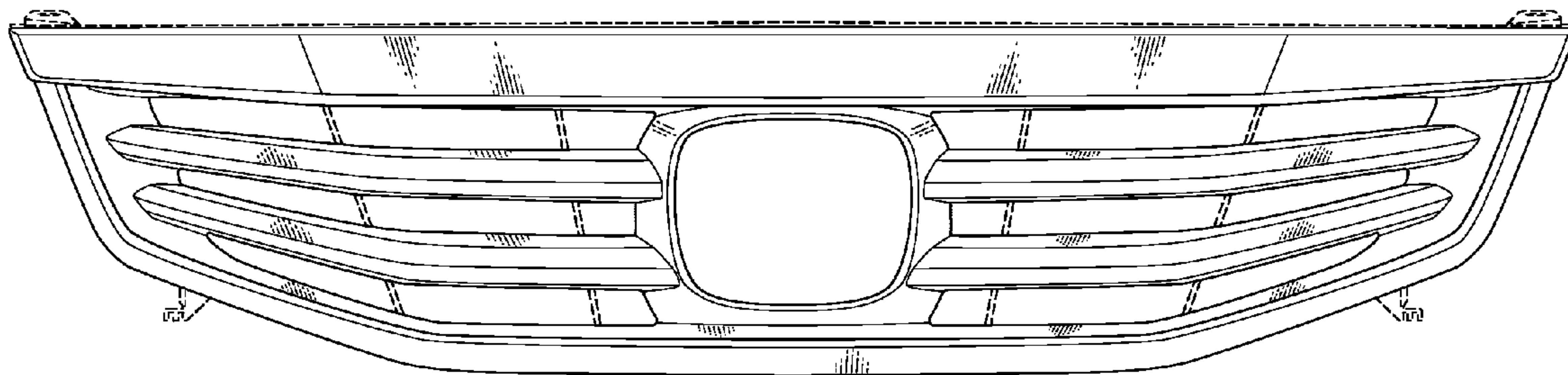


FIG. 1

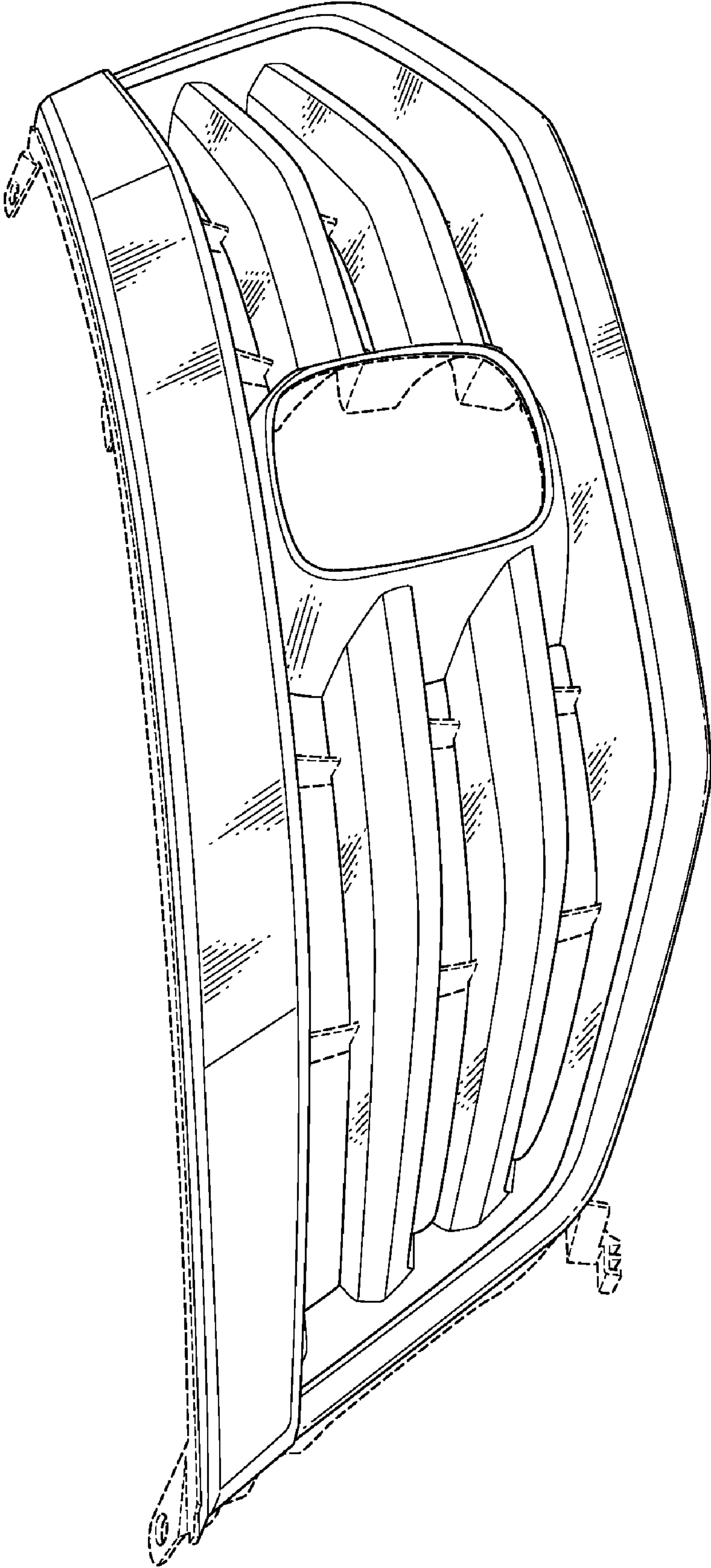


FIG. 2

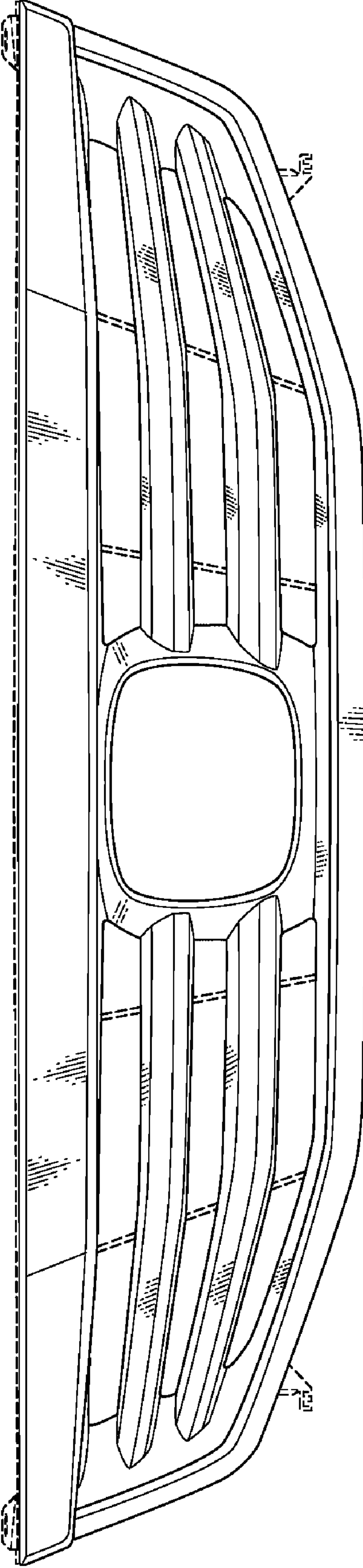


FIG. 3

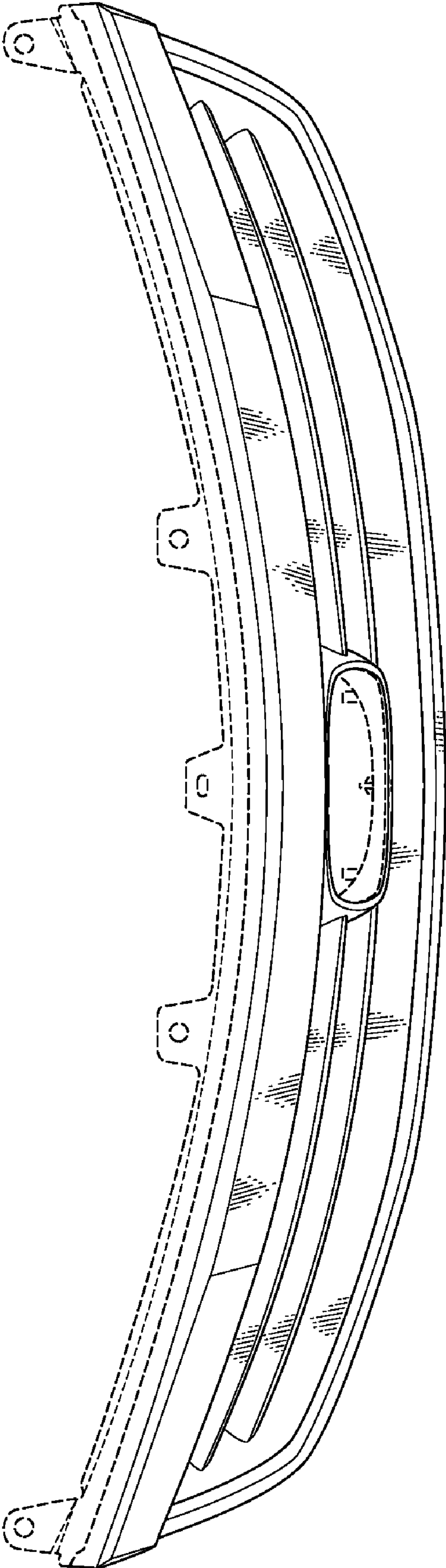


FIG. 4

