

US00D642963S

(12) **United States Design Patent**
Greiner et al.

(10) **Patent No.:** **US D642,963 S**

(45) **Date of Patent:** **** *Aug. 9, 2011**

(54) **FRAME**

(75) Inventors: **Joshua Greiner**, Columbus, OH (US);
Damon Jukiewicz, Cleveland, OH (US);
Robert Bekoscke, Medina, OH (US);
Daniel Watson, Cleveland, OH (US);
Traian Mohan, Parma, OH (US);
Thomas Tuckowski, Strongsville, OH (US)

(73) Assignee: **Invacare Corporation**, Elyria, OH (US)

(**) Term: **14 Years**

(21) Appl. No.: **29/357,692**

(22) Filed: **Mar. 16, 2010**

(51) **LOC (9) Cl.** **12-12**

(52) **U.S. Cl.** **D12/133; D12/131**

(58) **Field of Classification Search** D12/128-133;
D6/360, 367; 280/62, 647-650, 29, 200,
280/47.38, 250.1, 259, 642, 658; 297/DIG. 4;
296/65.03, 65.04; 224/409; D21/425, 426;
D34/17, 18

See application file for complete search history.

(56) **References Cited**

U.S. PATENT DOCUMENTS

D231,801 S * 6/1974 Pivacek D12/133
3,865,427 A 2/1975 Delany
4,025,112 A 5/1977 Hale
4,961,610 A 10/1990 Reeder et al.
5,033,792 A 7/1991 Kanazawa
5,275,466 A 1/1994 Rentchler, Jr.
D365,787 S * 1/1996 Peterson et al. D12/131
D380,991 S * 7/1997 Deming D12/131
6,015,190 A 1/2000 Wend
6,352,273 B1 * 3/2002 Dickie 280/220
6,386,638 B1 5/2002 Strauch
D462,639 S 9/2002 Lin
6,459,962 B2 10/2002 Ulrich et al.
D468,669 S 1/2003 Hopely, Jr.
D491,115 S 6/2004 Taylor
D494,110 S 8/2004 Cheng

D523,677 S 6/2006 Jones et al.
D523,788 S 6/2006 Jones et al.
D529,844 S * 10/2006 Chen et al. D12/129
D540,221 S 4/2007 Cartellone et al.
D559,741 S * 1/2008 Lasher, III D12/133
D569,769 S 5/2008 Chiu et al.
7,413,045 B2 8/2008 Tien
D585,794 S 2/2009 Lin
D589,411 S * 3/2009 Brown et al. D12/133
D614,541 S * 4/2010 Storm D12/129
7,694,991 B2 * 4/2010 Mills et al. 280/304.1
D615,461 S * 5/2010 Storm D12/129
2001/0013437 A1 8/2001 Husted et al.

(Continued)

OTHER PUBLICATIONS

Invacare Corporation, Operator and Maintenance Manual, Pronto M5I and M6I with SureStep, 80 pgs., Rev J—Oct. 2008, copyright 2008.

(Continued)

Primary Examiner — Ian Simmons

Assistant Examiner — Charles D Hanson

(74) *Attorney, Agent, or Firm* — Calfee, Halter & Griswold LLP

(57) **CLAIM**

The ornamental design for a frame, as shown and described.

DESCRIPTION

FIG. 1 is a right side elevation view of a frame showing our new design;

FIG. 2 is a top plan view thereof;

FIG. 3 is a bottom plan view thereof;

FIG. 4 is a left side elevation view thereof;

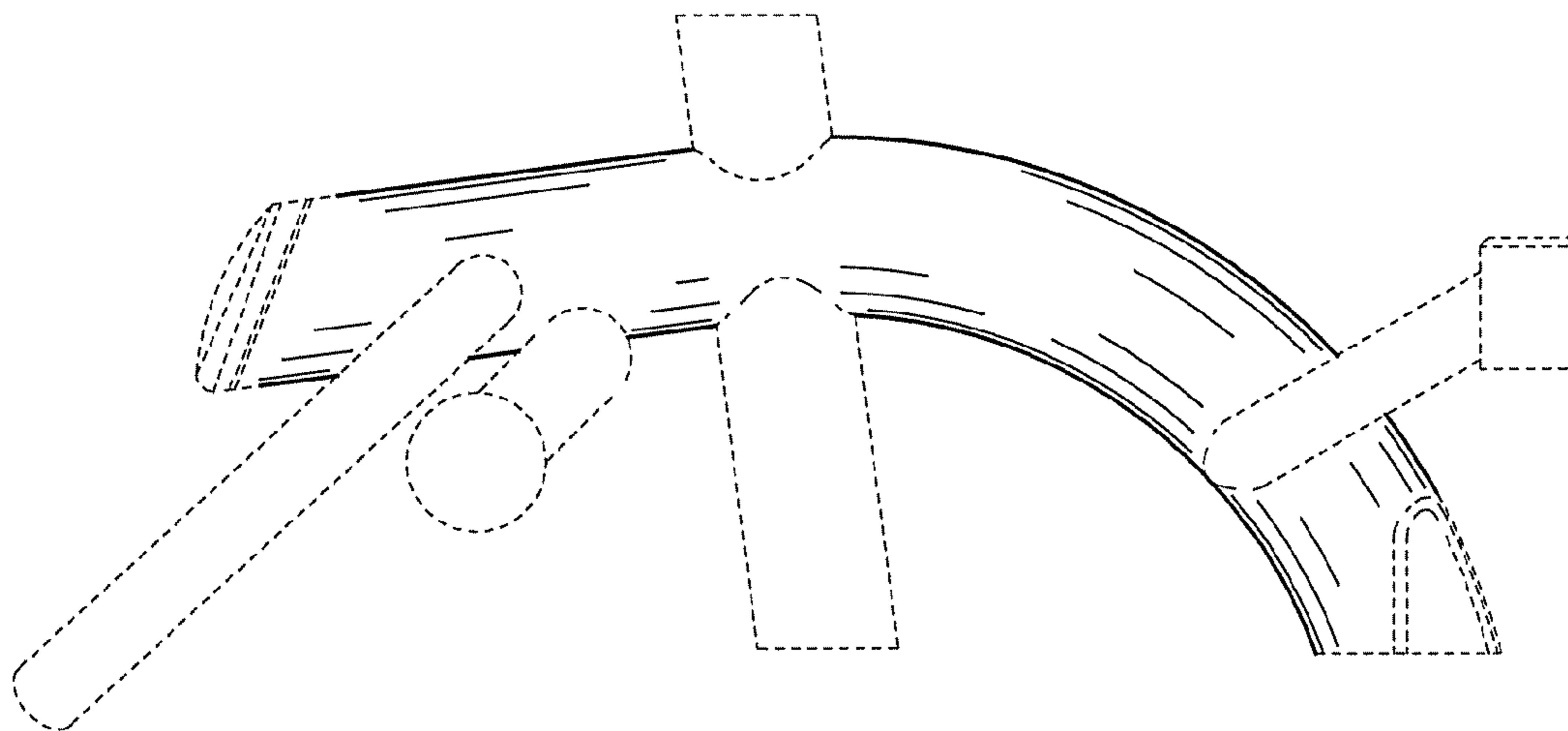
FIG. 5 is a front elevation view thereof;

FIG. 6 is a rear elevation view thereof; and,

FIG. 7 is a perspective view thereof.

The broken line showings in the drawings are for illustrative purposes only and form no part of the claimed design.

1 Claim, 4 Drawing Sheets



US D642,963 S

Page 2

U.S. PATENT DOCUMENTS

2006/0082098 A1 4/2006 Harris
2007/0107963 A1 5/2007 Chiu
2008/0087481 A1 4/2008 Grymko et al.

OTHER PUBLICATIONS

Invacare Corporation, User Manual, FDX Power Wheelchair Base FDX, FDX-CG, FDX-MCG, 96 pgs., Rev A—Sep. 2010, copyright 2010.
Invacare Corporation, product Catalog, copyright 2004, printed Feb. 18, 2011, 14 pgs.
Invacare Corporation, At'm (Take Along Chair), 2 page brochure, copyright 2009.

Invacare Corporation, FDC Front-Wheel Drive Power Wheelchair, 4 page brochure, copyright 2010.

Invacare Corporation, Nutron R51, 2 page brochure, copyright 2006.

Invacare Corporation, P9000 XDT, 2 page brochure, copyright 2007.

Invacare Corporation, Pronto M51, 4 page brochure, copyright 2010.

Invacare Corporation, Pronto M51 with Formula CG Seating, 2 page

web printout, printed Feb. 18, 2011.

Invacare Corporation, The New TDX Family, 26 page brochure, copyright 2008.

Invacare Corporation, Storm Series, 16 page brochure, copyright 2010.

* cited by examiner

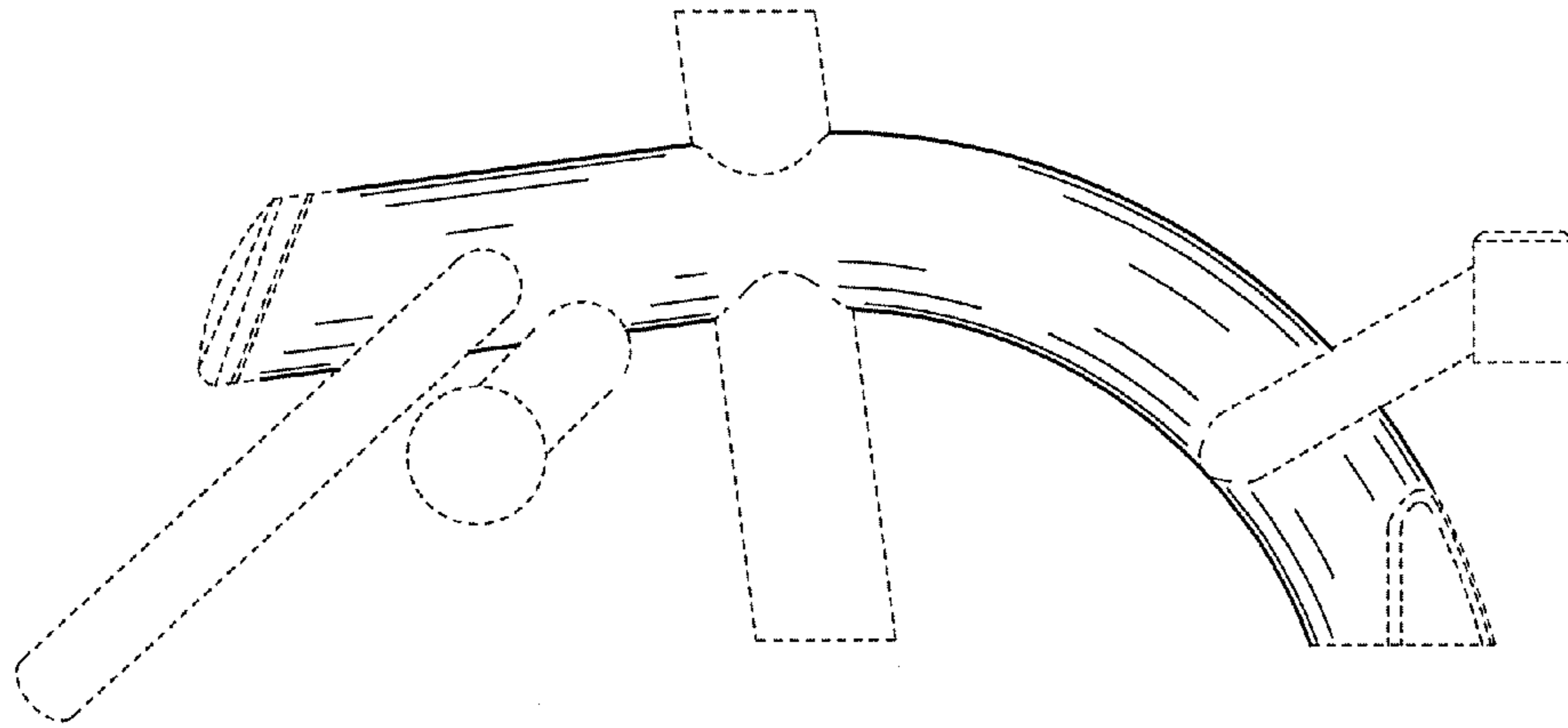


Fig. 1

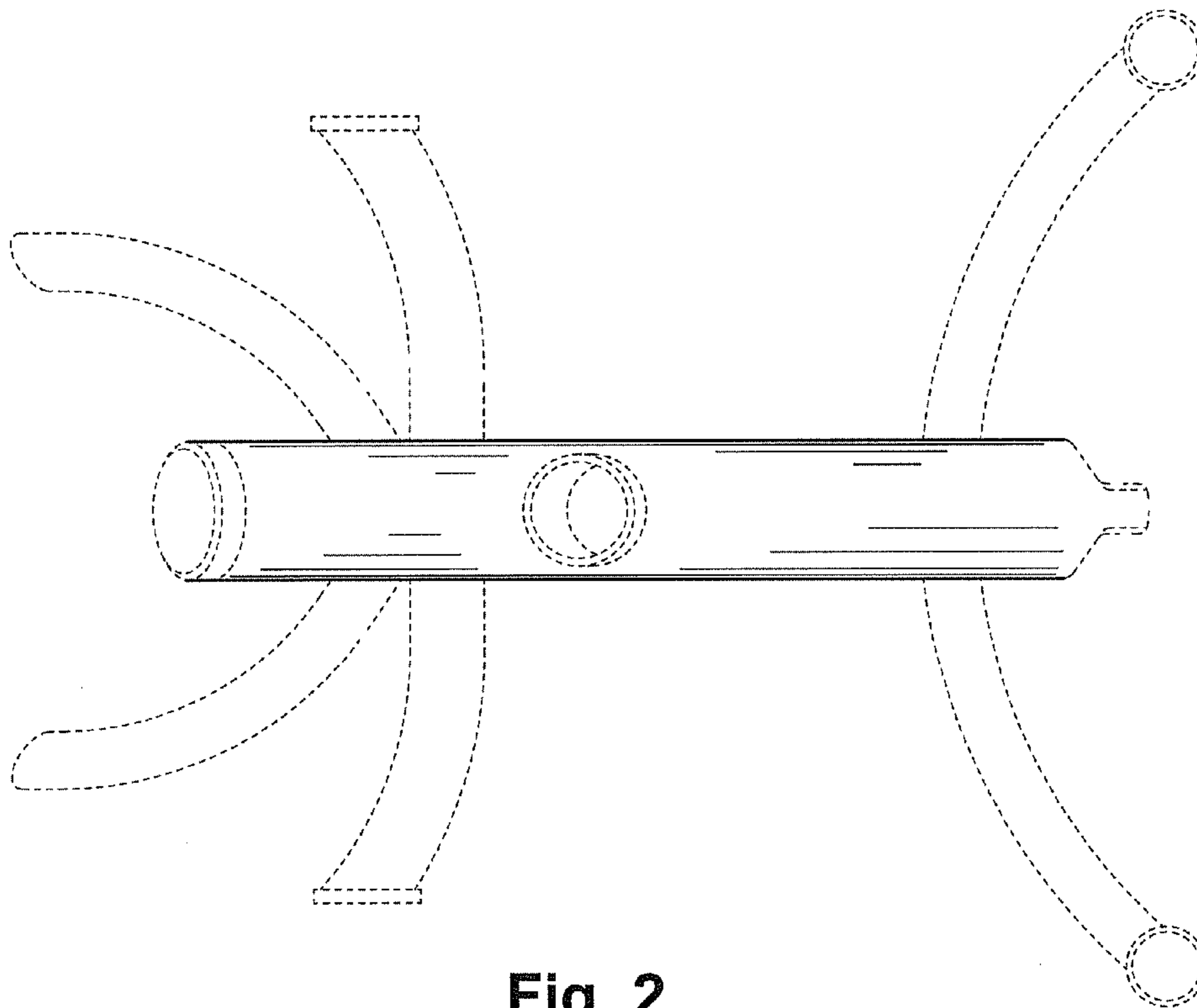


Fig. 2

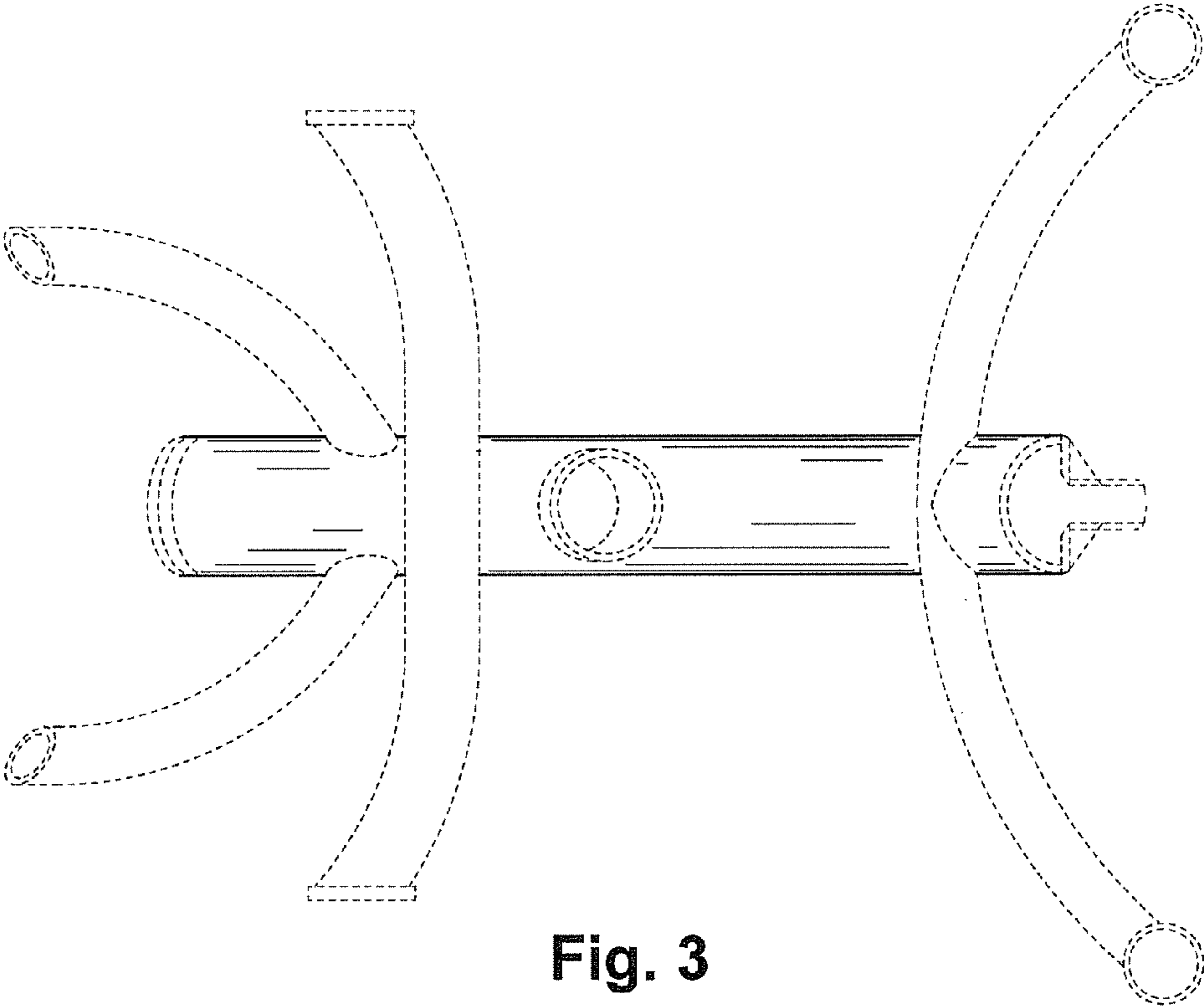


Fig. 3

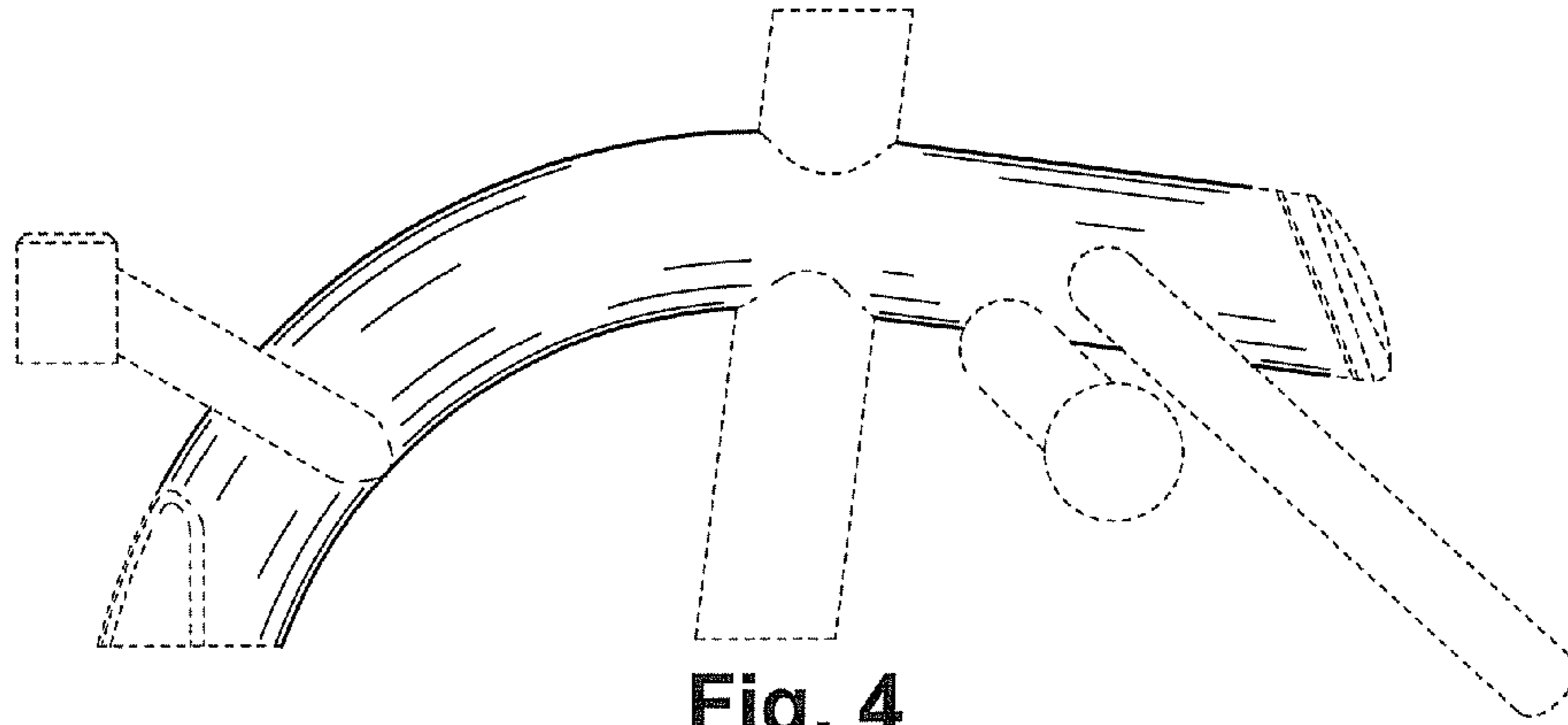


Fig. 4

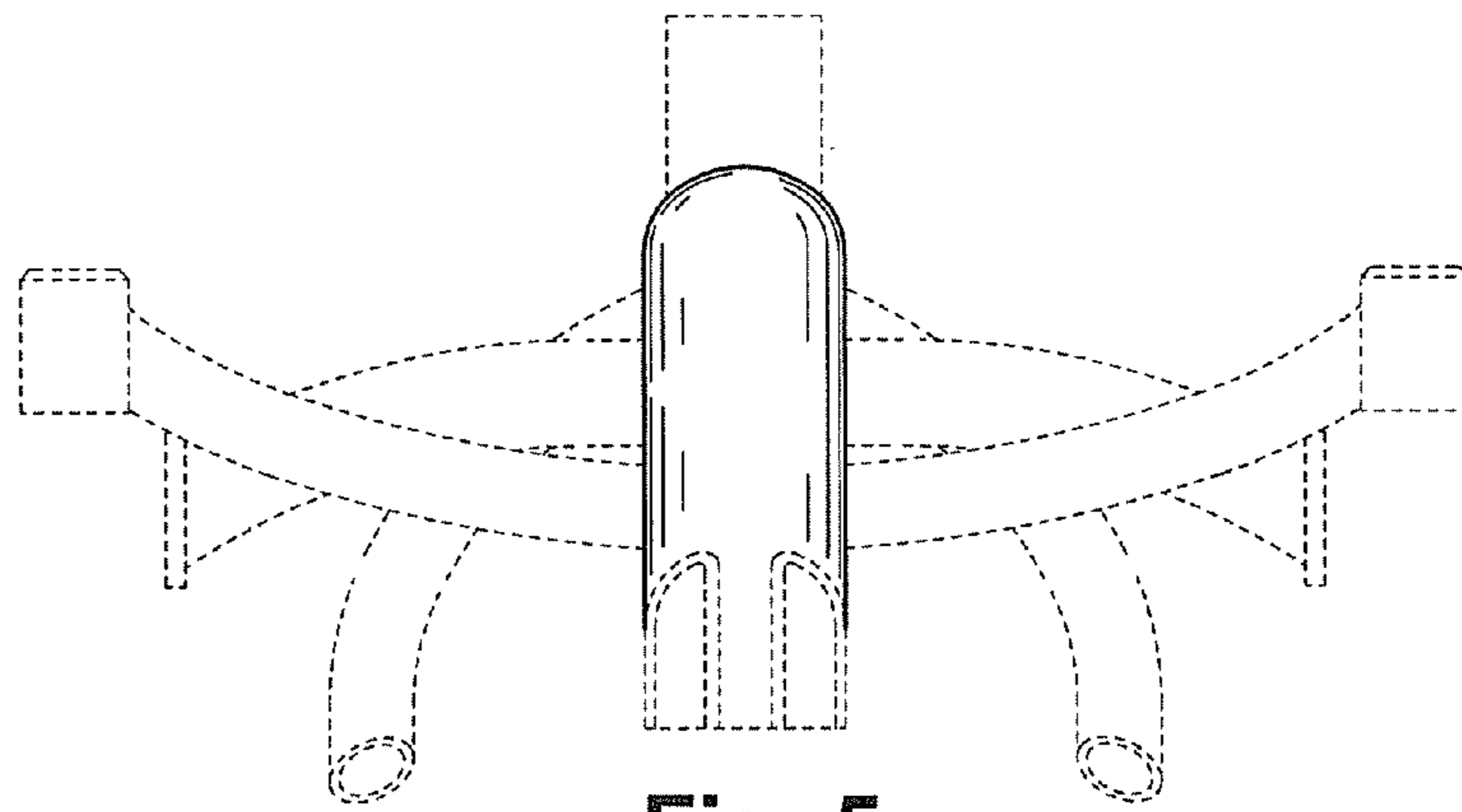


Fig. 5

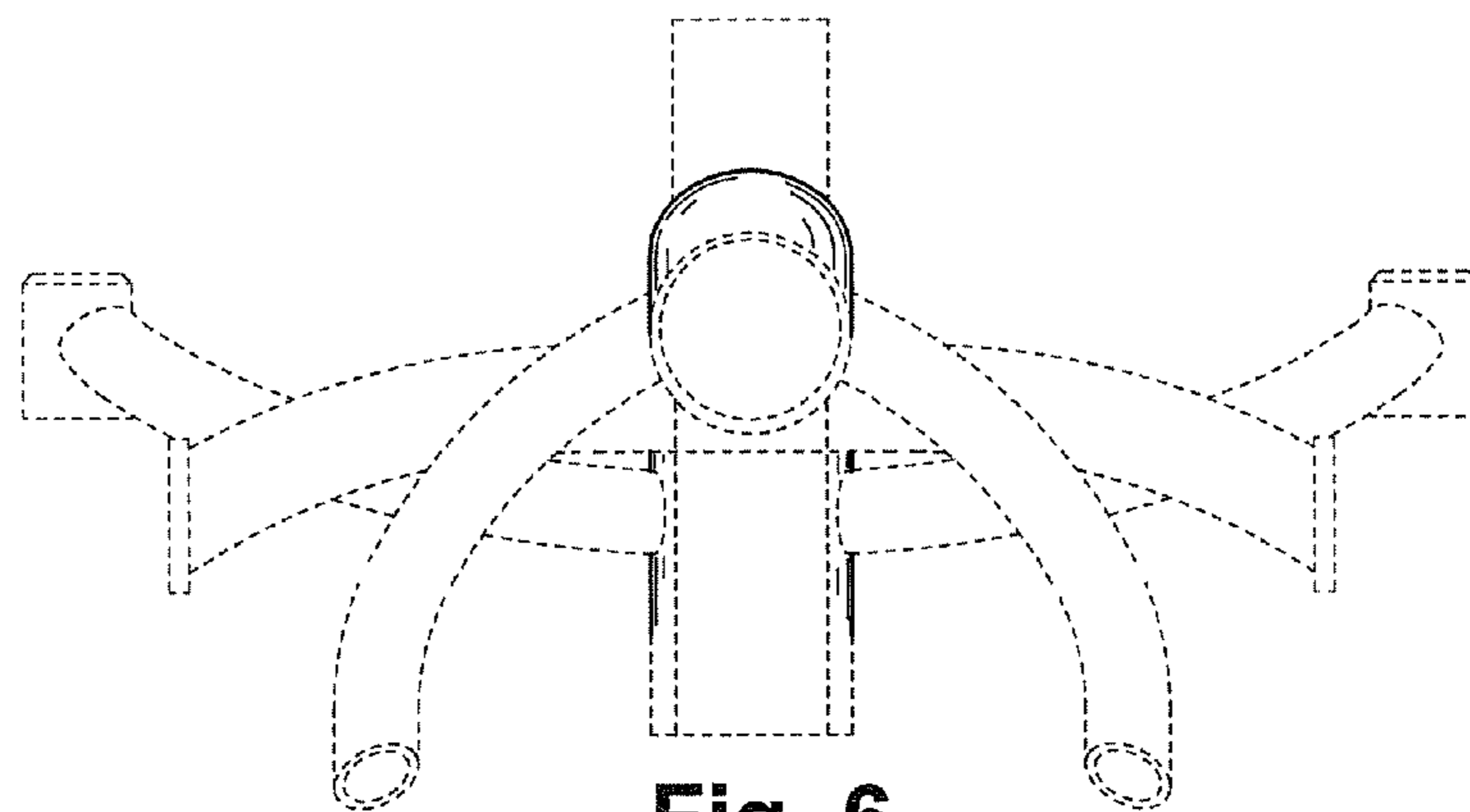


Fig. 6

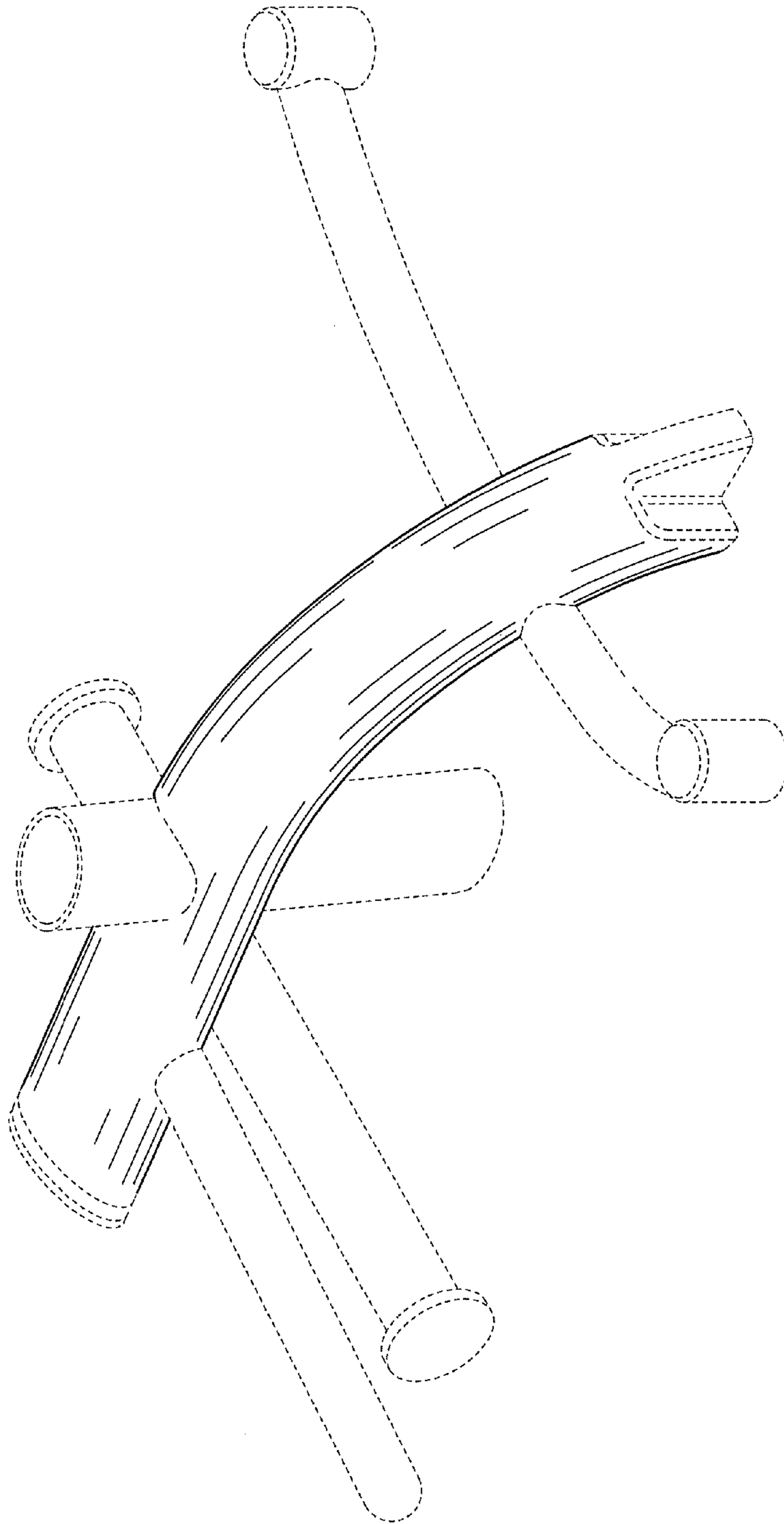


Fig. 7