



US00D642962S

(12) **United States Design Patent**
Morris et al.

(10) **Patent No.:** **US D642,962 S**

(45) **Date of Patent:** **** Aug. 9, 2011**

(54) **MOBILITY CHAIR**

(75) Inventors: **Merry Lynn Morris**, Tampa, FL (US);
Alex Chou, Monrovia, CA (US); **Franco Lodato**, Weston, FL (US)

(73) Assignee: **University of South Florida**, Tampa, FL (US)

(**) Term: **14 Years**

(21) Appl. No.: **29/365,943**

(22) Filed: **Jul. 16, 2010**

(51) **LOC (9) Cl.** **12-12**

(52) **U.S. Cl.** **D12/128**

(58) **Field of Classification Search** D12/128-133;
D6/360, 367; 280/62, 647-650, 29, 200,
280/47.38, 250.1, 259, 642, 658; 297/DIG. 4;
296/65.03, 65.04; 224/409; D21/425, 426;
D34/17, 18

See application file for complete search history.

(56) **References Cited**

U.S. PATENT DOCUMENTS

D305,318 S *	1/1990	Danecker	D12/131
5,116,067 A *	5/1992	Johnson	280/7.14
6,786,496 B2 *	9/2004	Ward et al.	280/250.1
D608,255 S *	1/2010	Arnell	D12/132

* cited by examiner

Primary Examiner — Ian Simmons

Assistant Examiner — Charles Hanson

(74) *Attorney, Agent, or Firm* — Jeremy Spier; Anton J. Hopen; Smith & Hopen, P.A.

(57) **CLAIM**

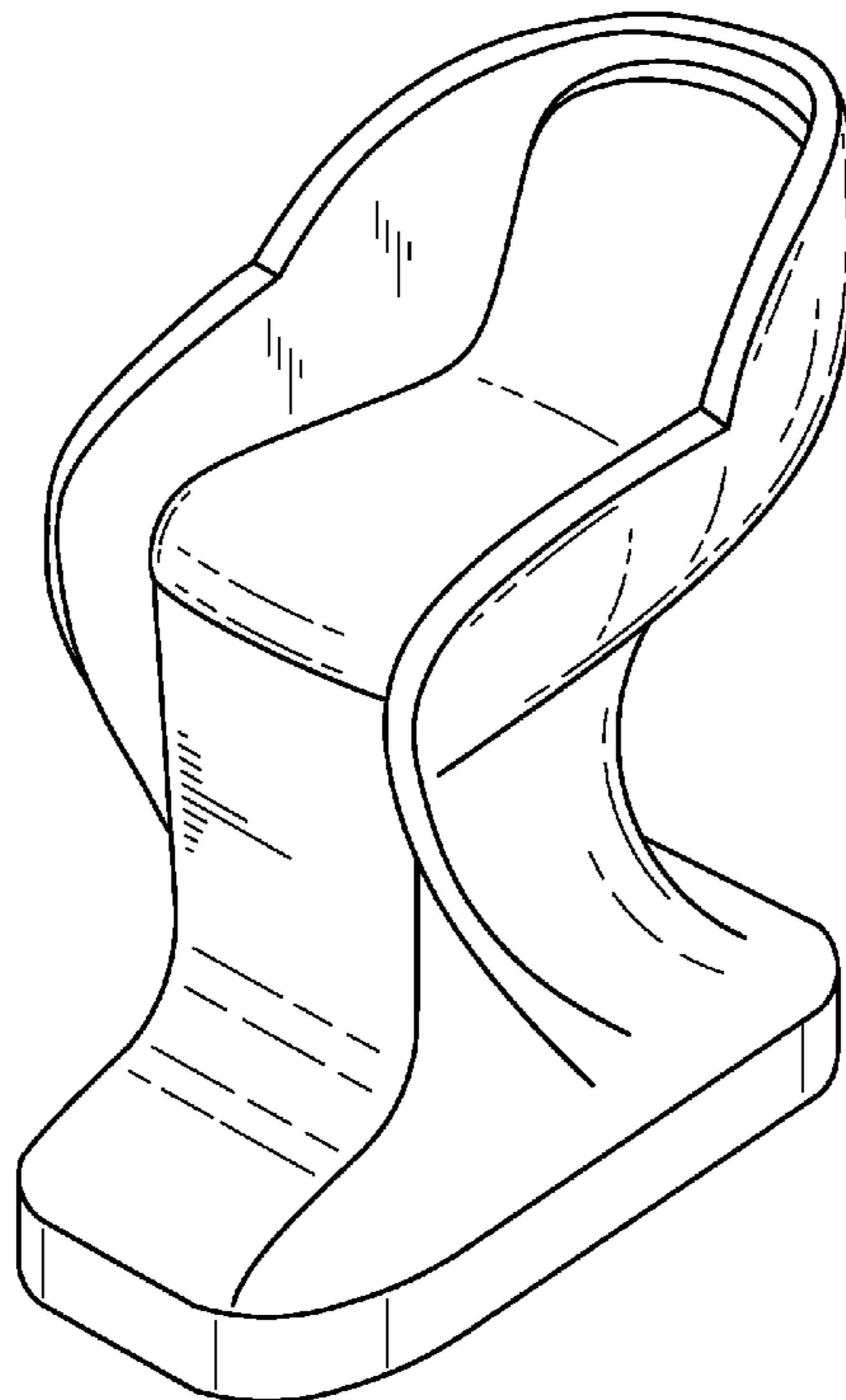
The ornamental design for a mobility chair, as substantially shown and described.

DESCRIPTION

FIG. 1 is a perspective view of the mobility chair;
FIG. 2 is a first side view thereof;
FIG. 3 is a second side view thereof;
FIG. 4 is a front view thereof;
FIG. 5 is a back view thereof;
FIG. 6 is a top plan view thereof;
FIG. 7 is a bottom plan view thereof;
FIG. 8 is a perspective view of an alternate embodiment thereof;
FIG. 9 is a first side view thereof;
FIG. 10 is a second side view thereof;
FIG. 11 is a front view thereof;
FIG. 12 is a back view thereof;
FIG. 13 is a top plan view thereof;
FIG. 14 is a bottom plan view thereof;
FIG. 15 is a perspective view of a second embodiment thereof;
FIG. 16 is a first side view thereof; and,
FIG. 17 is a second side view thereof.

The matter delineated in broken lines forms no part of the claimed ornamental design.

1 Claim, 10 Drawing Sheets



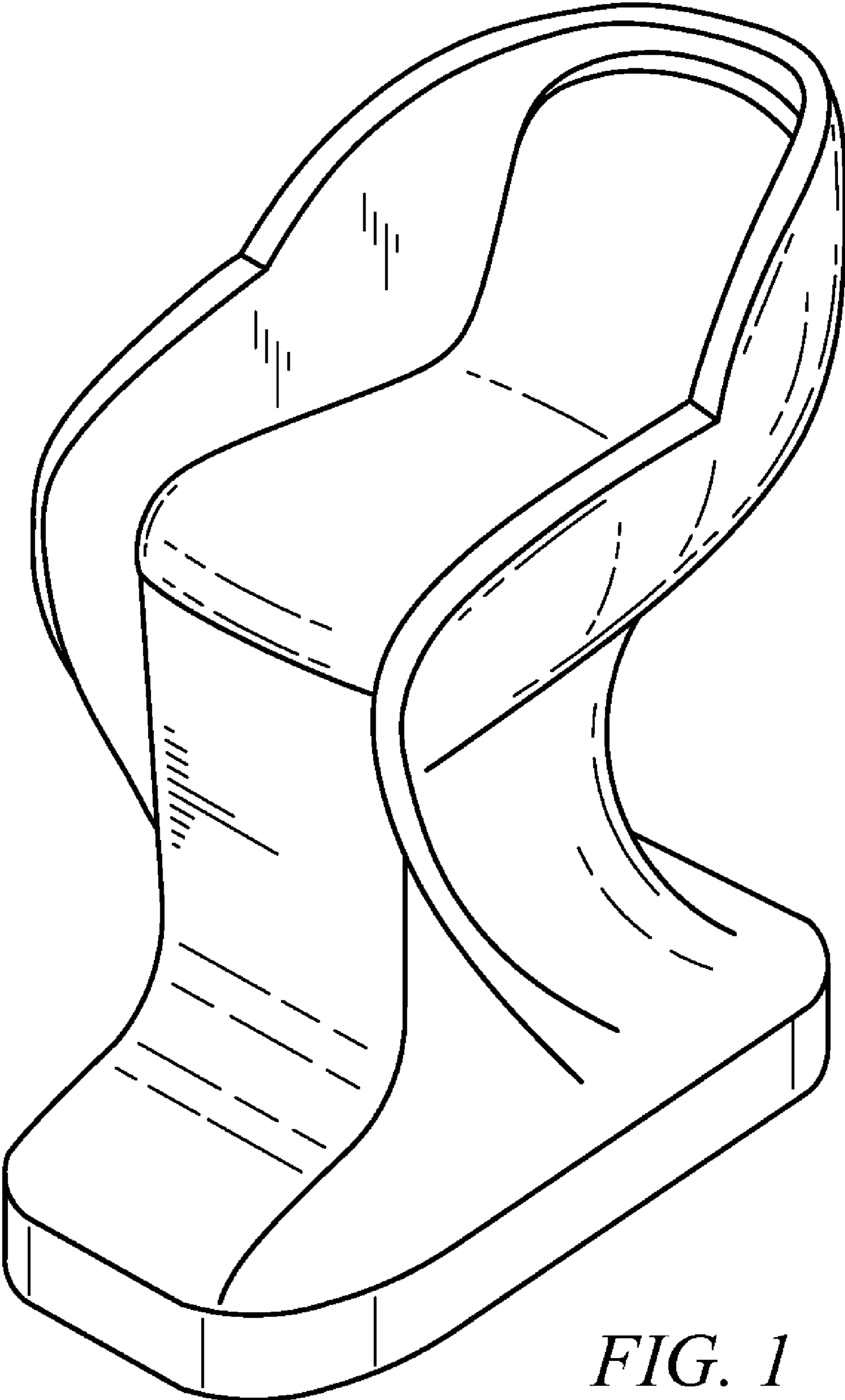


FIG. 1

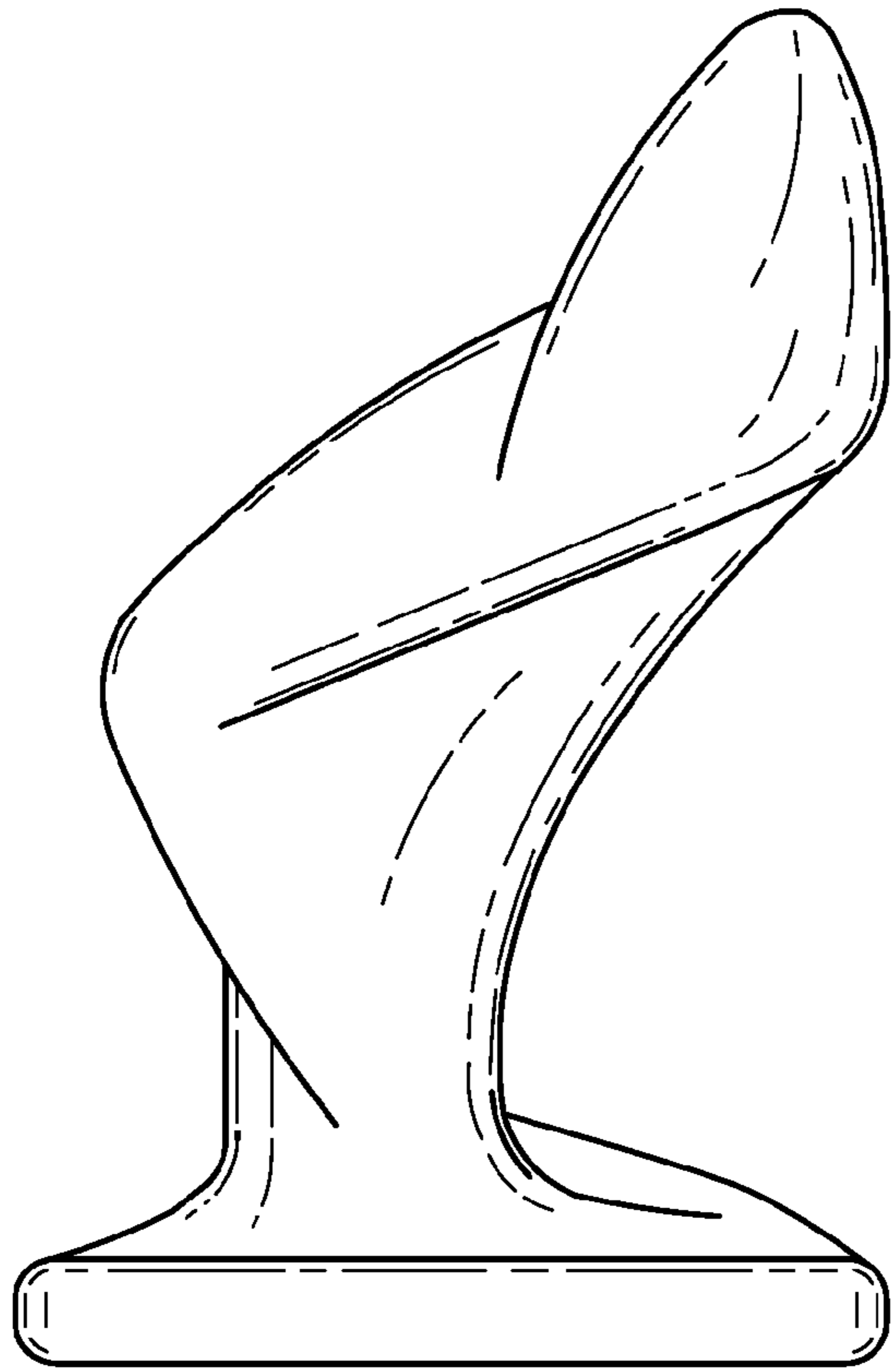


FIG. 2

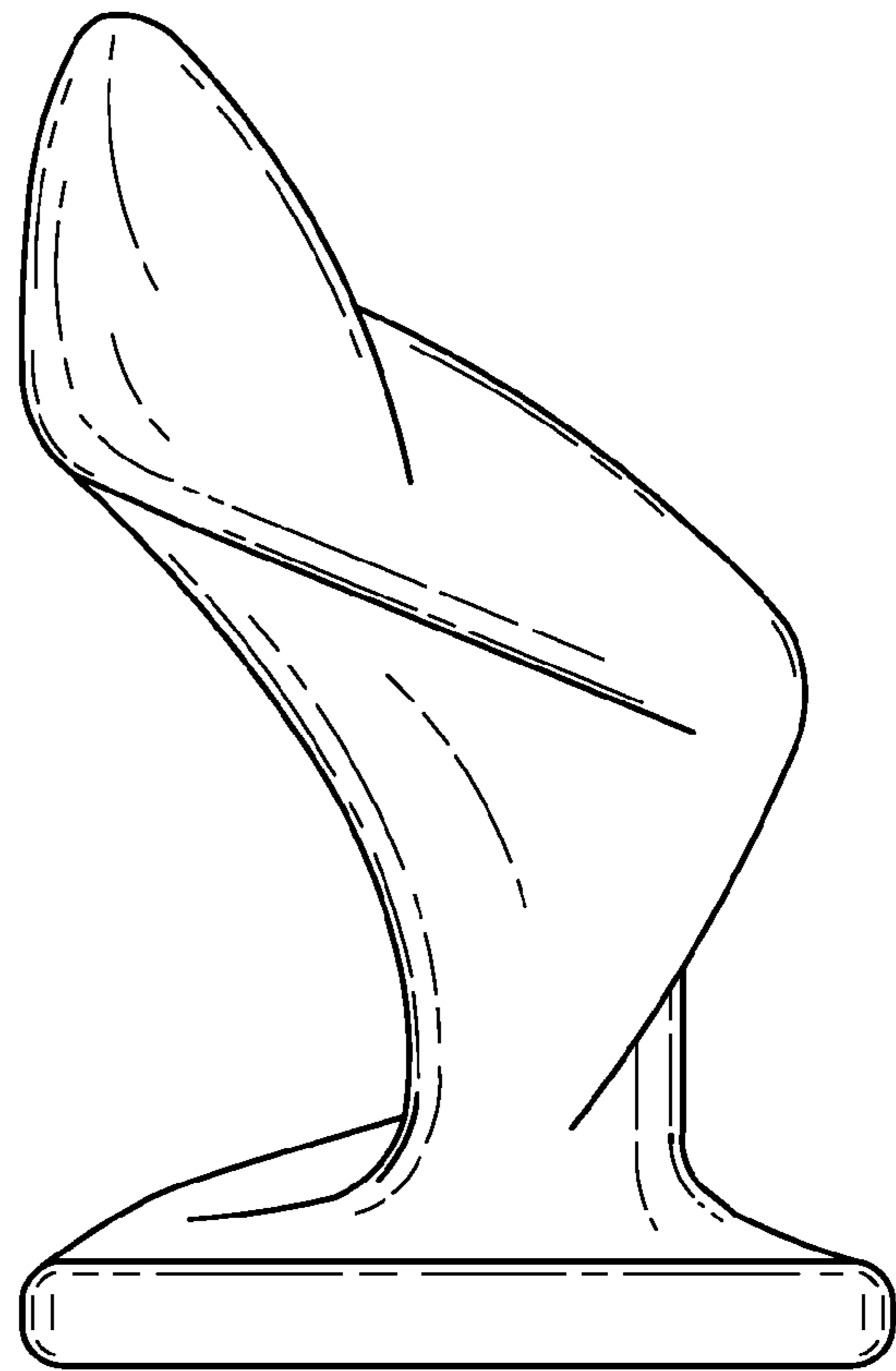


FIG. 3

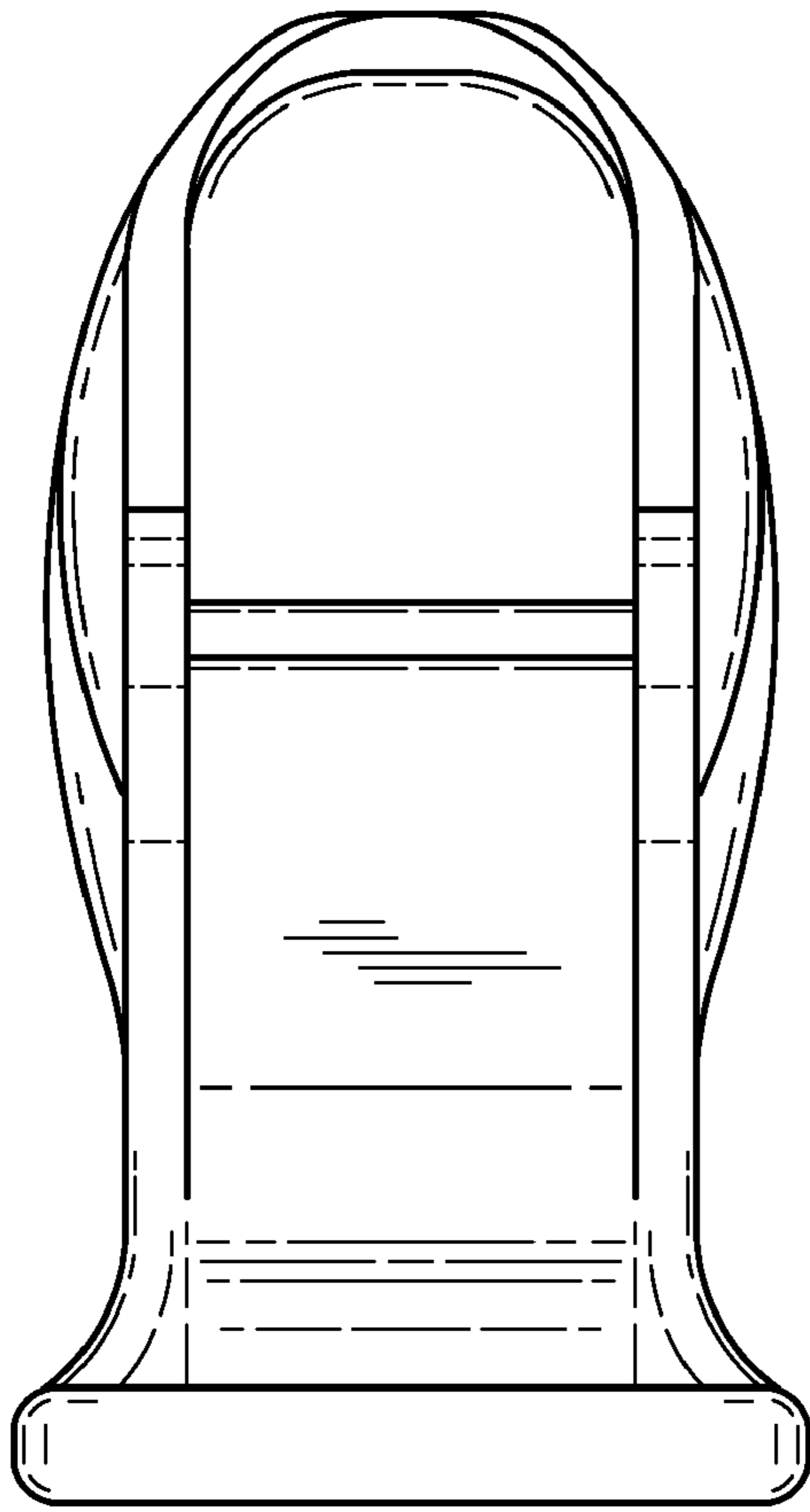


FIG. 4

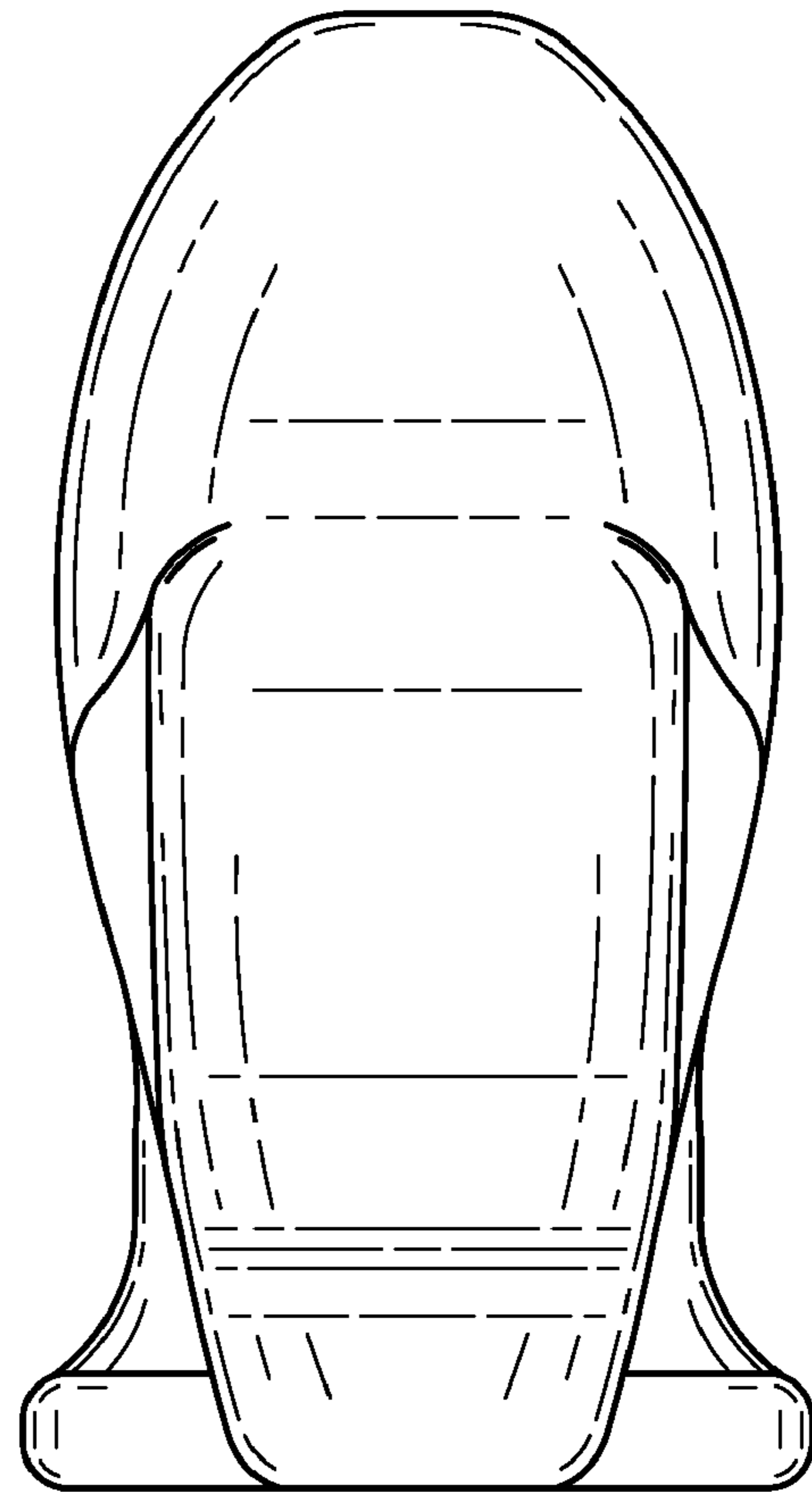


FIG. 5

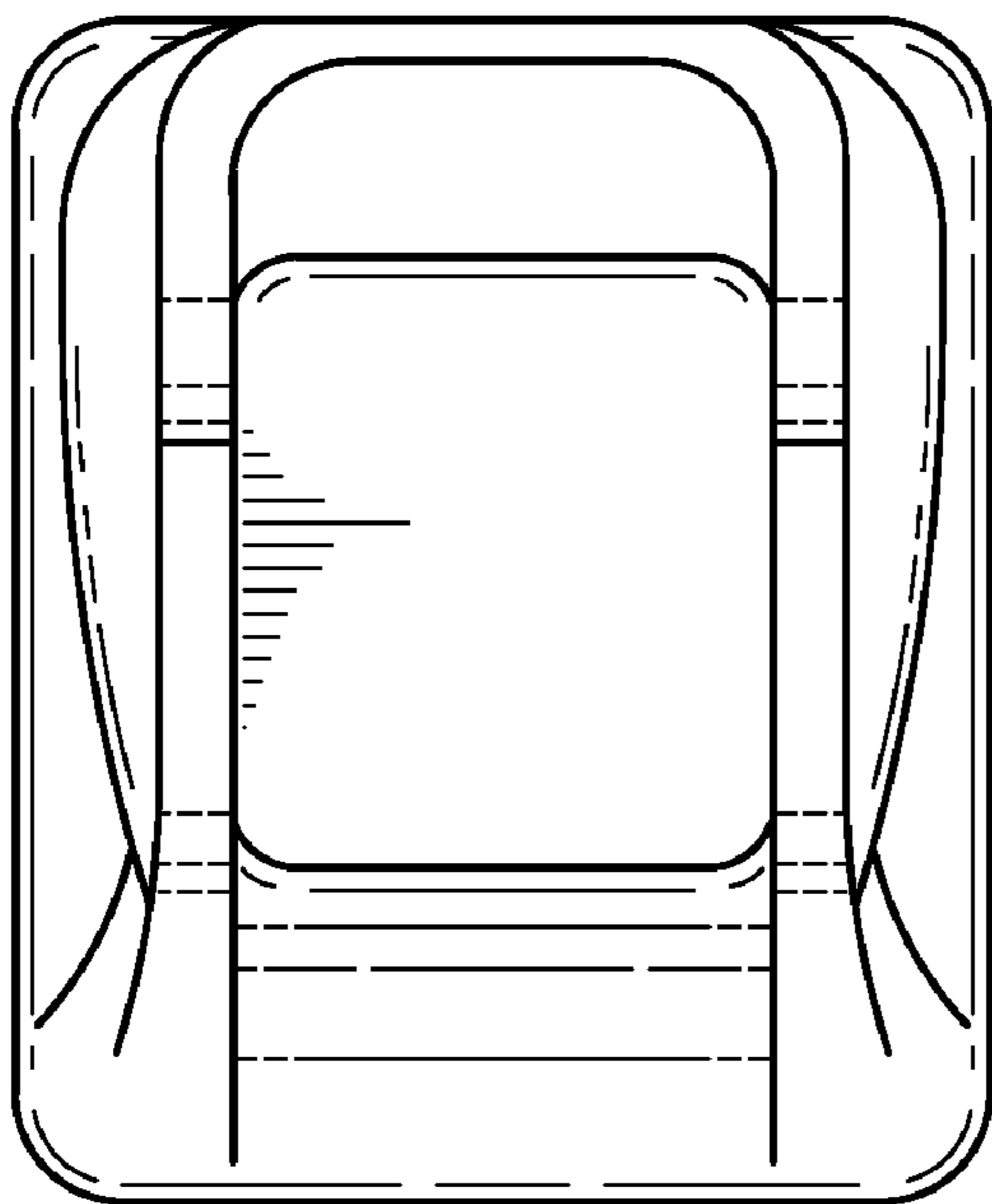


FIG. 6

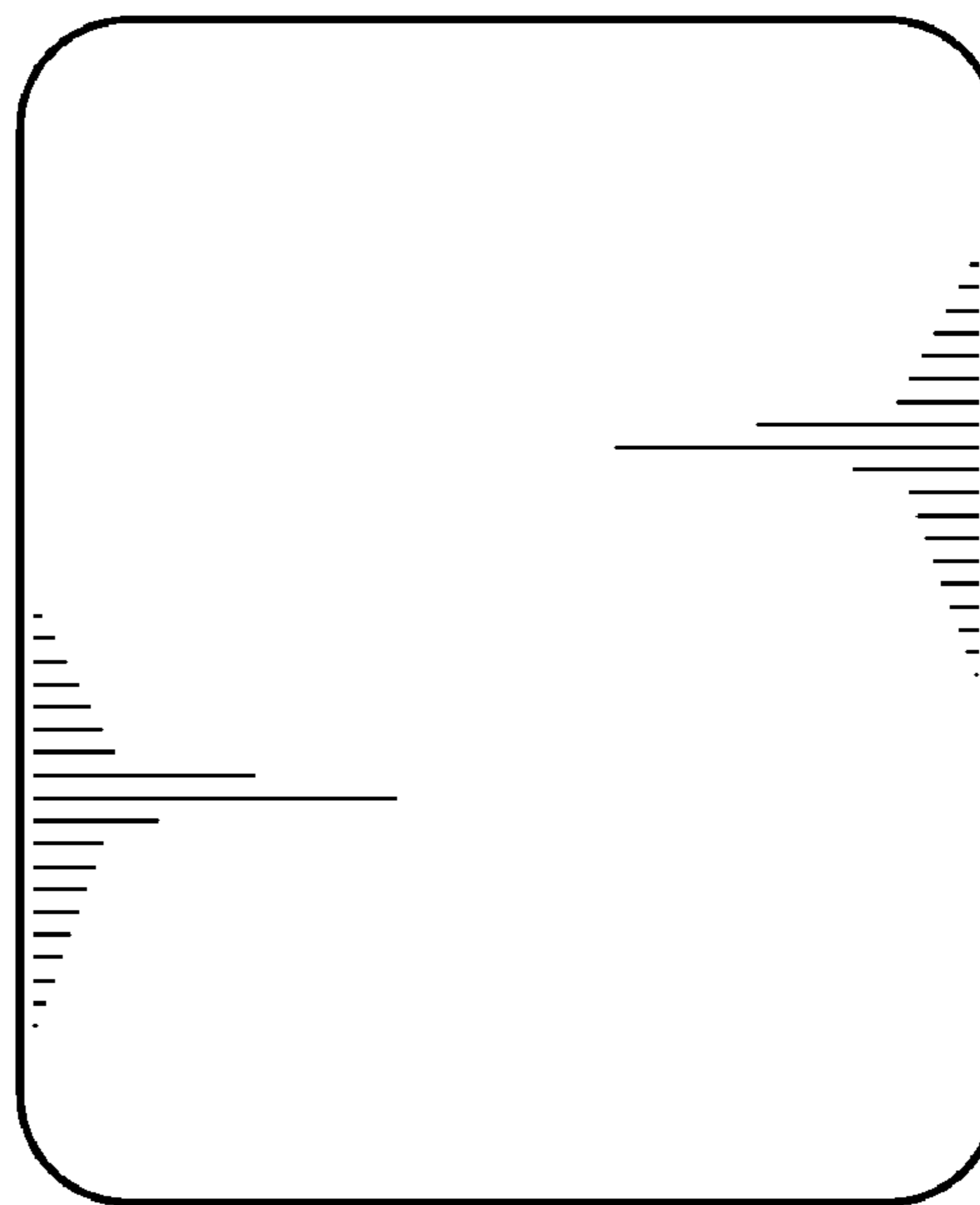


FIG. 7

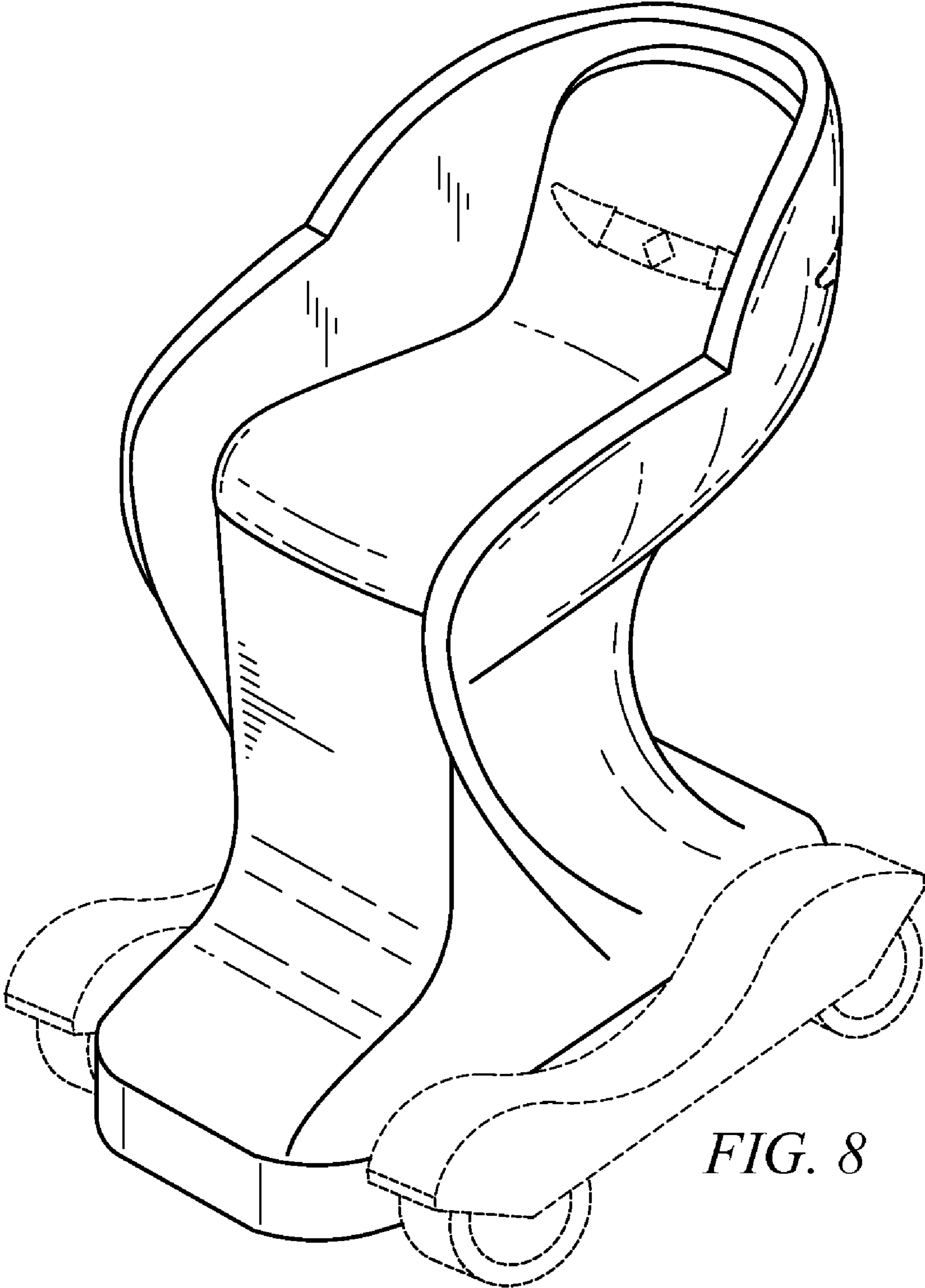


FIG. 8

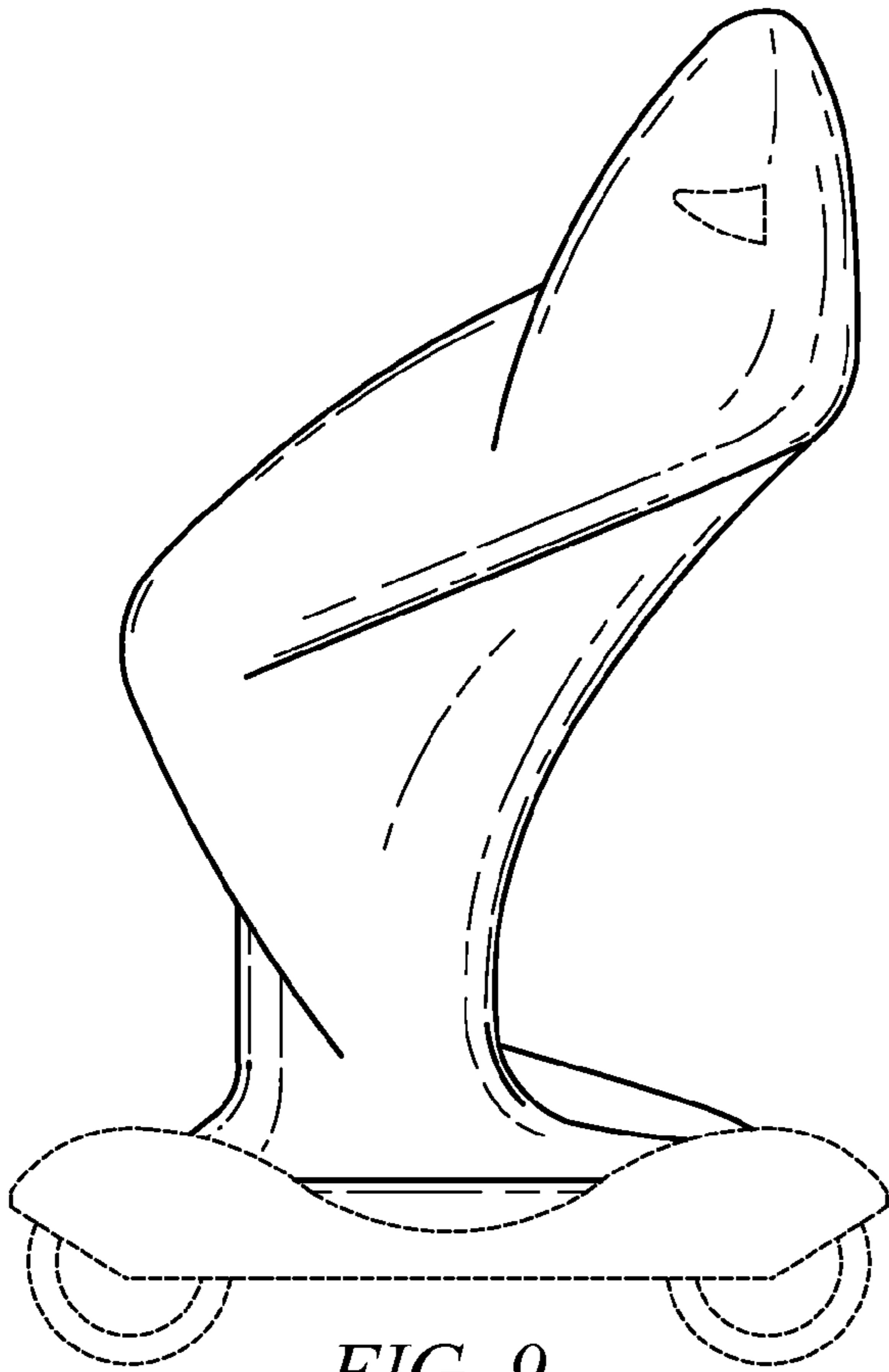


FIG. 9

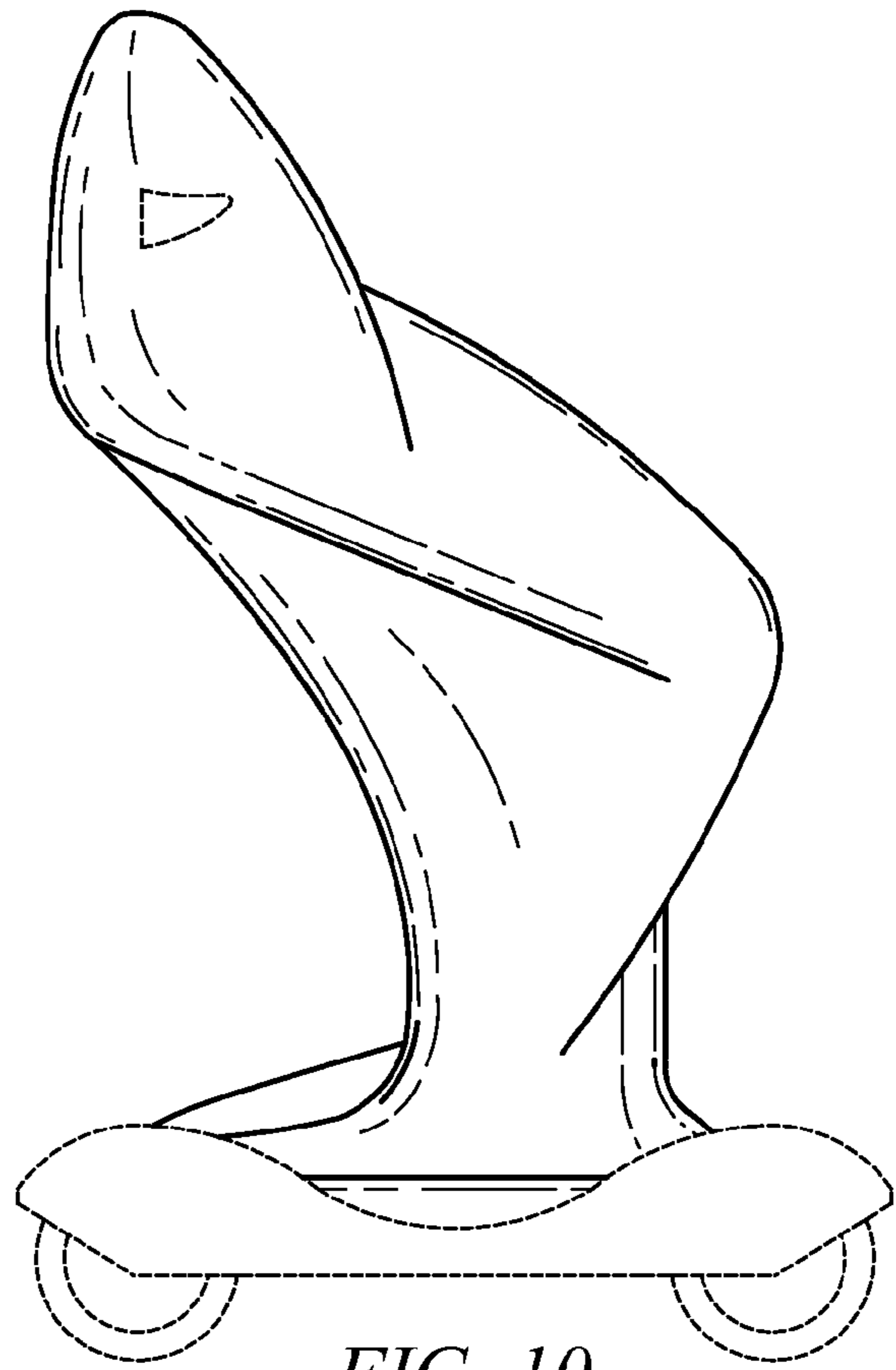


FIG. 10

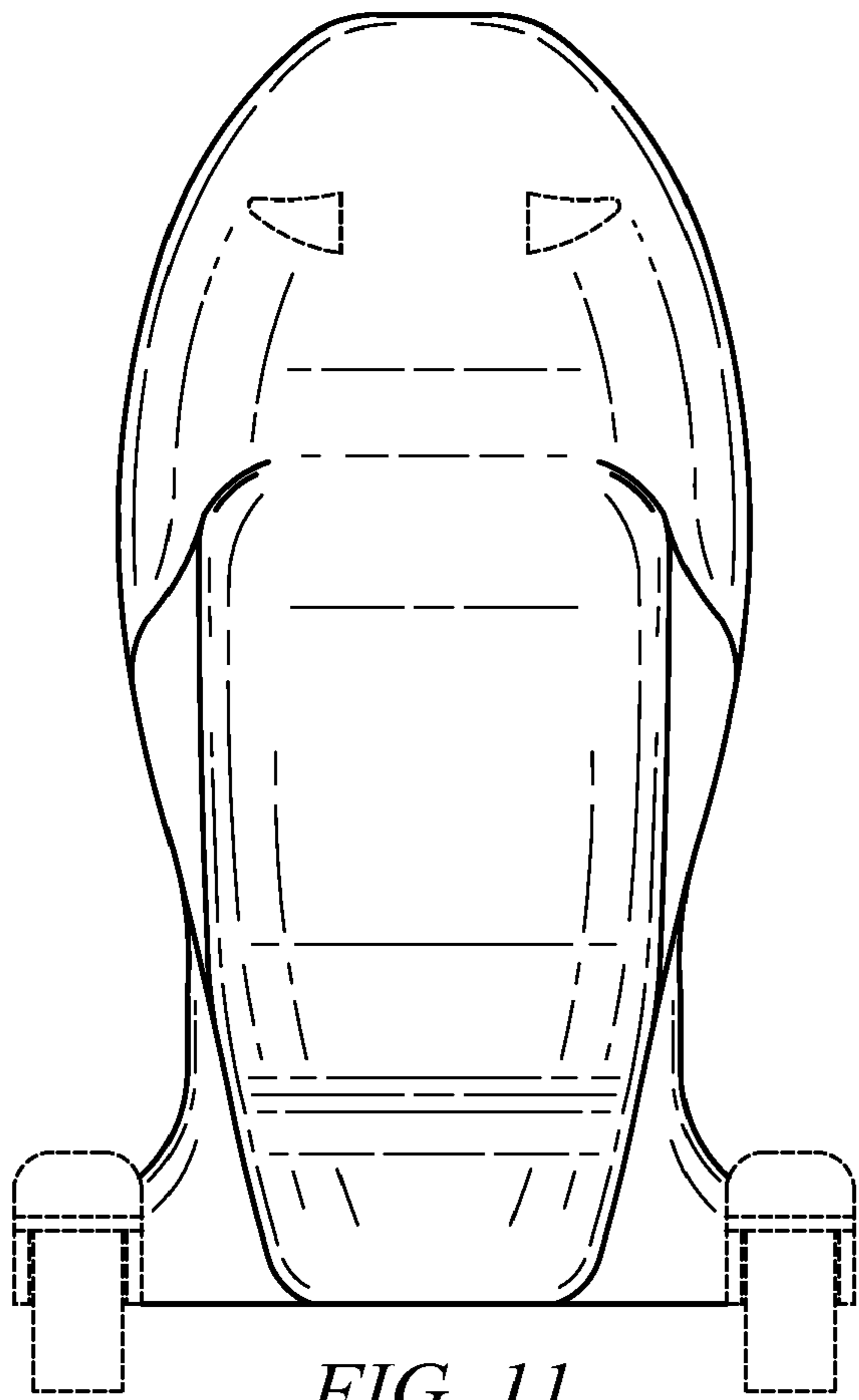


FIG. 11

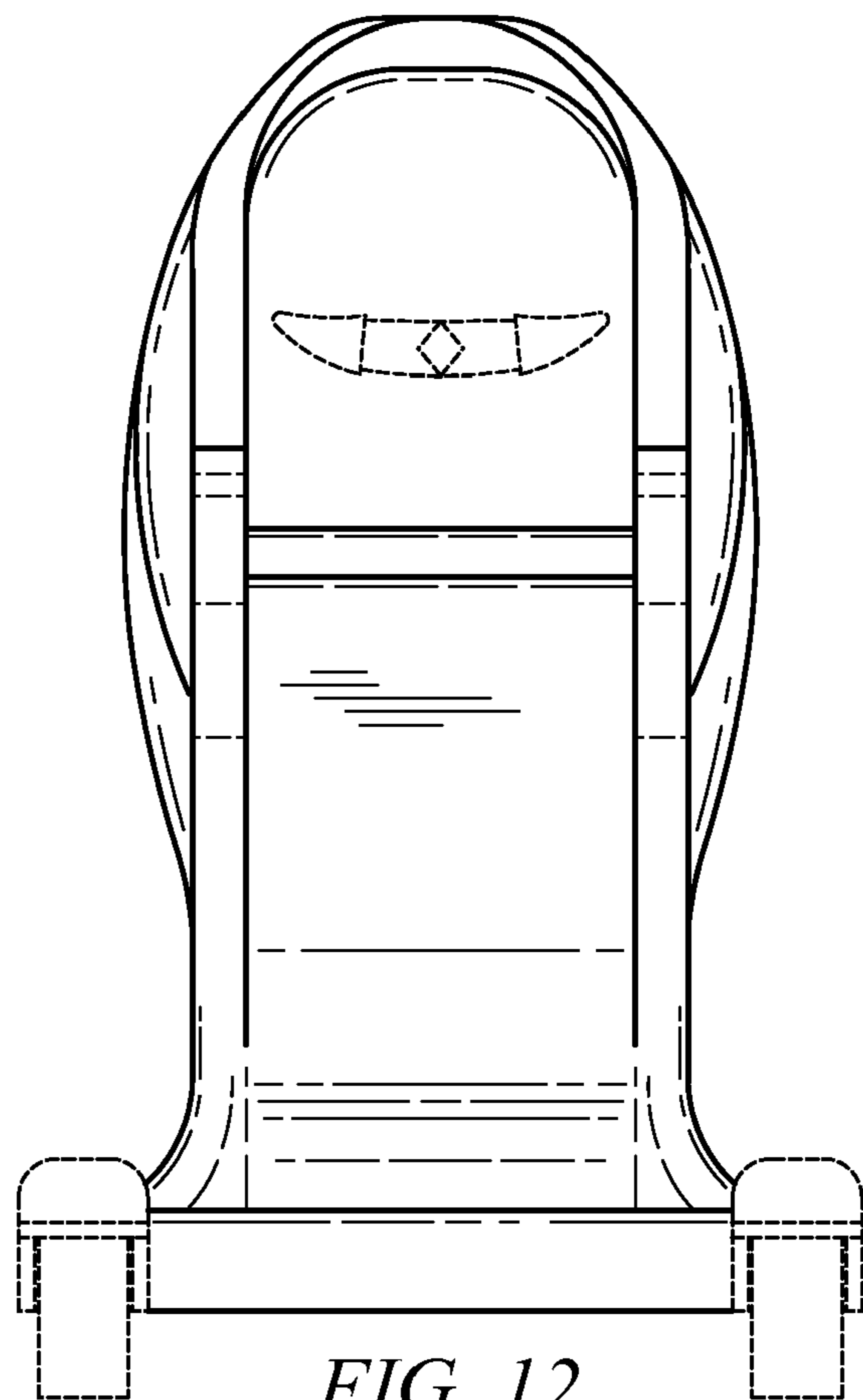


FIG. 12

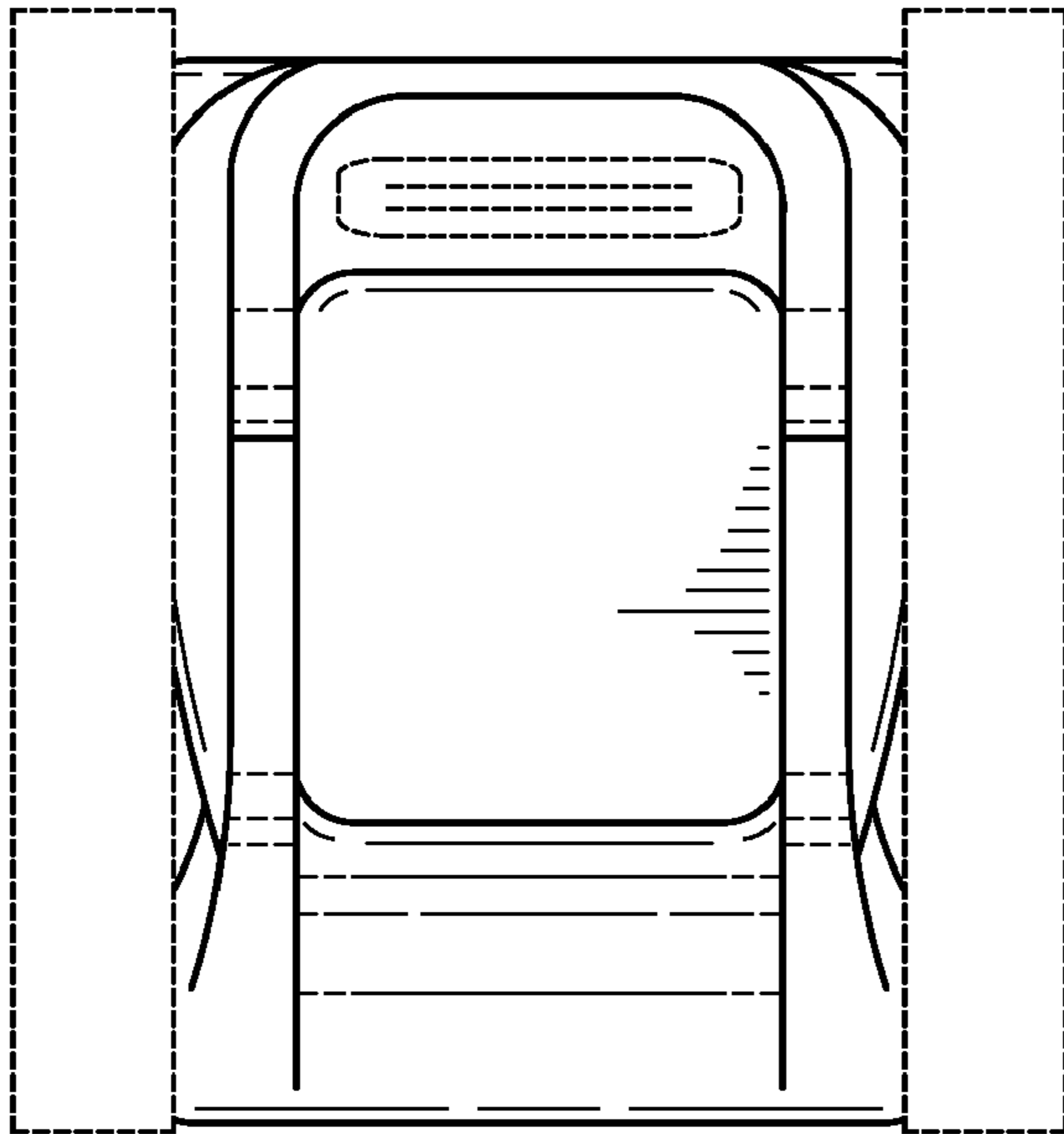


FIG. 13

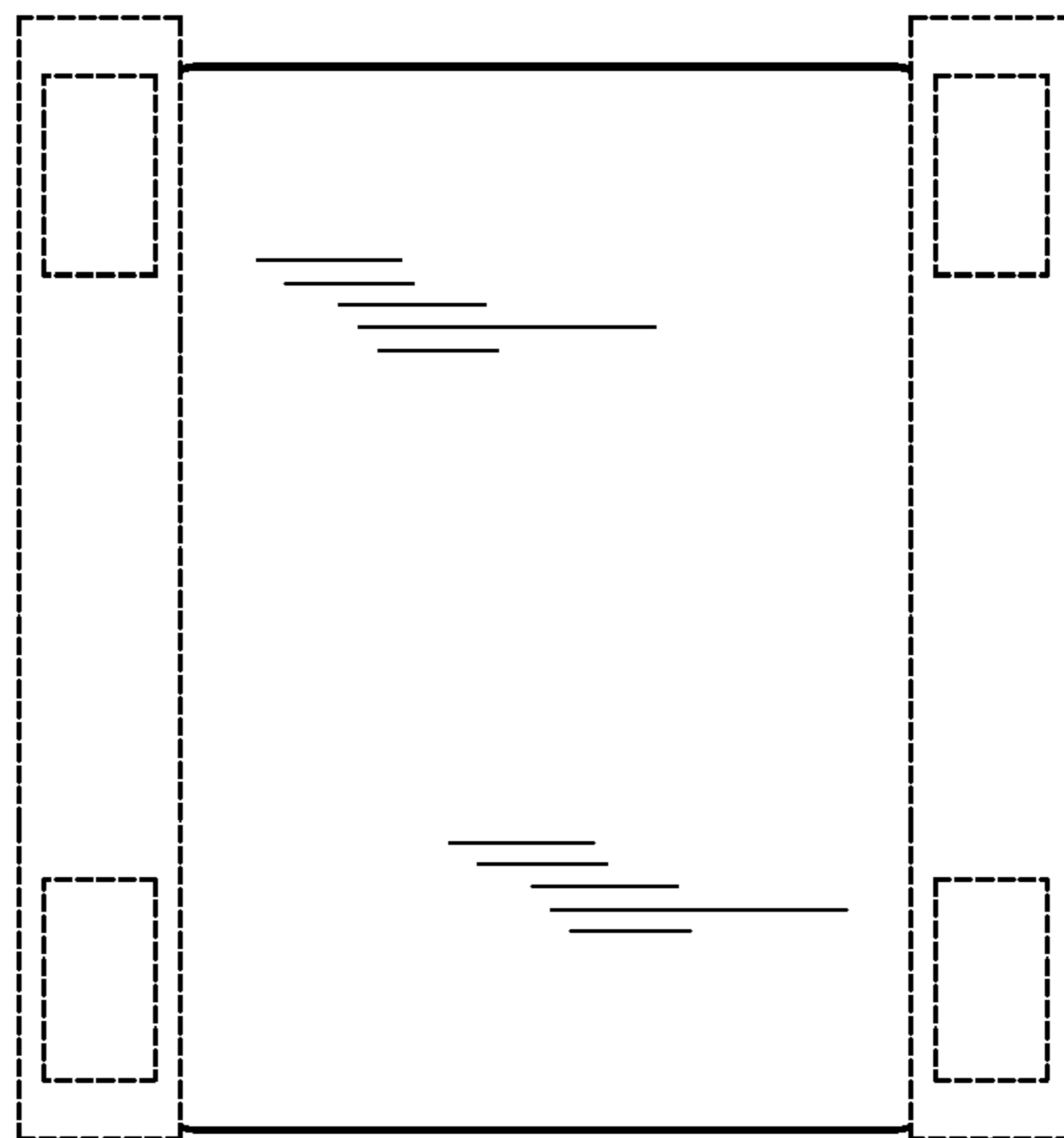


FIG. 14

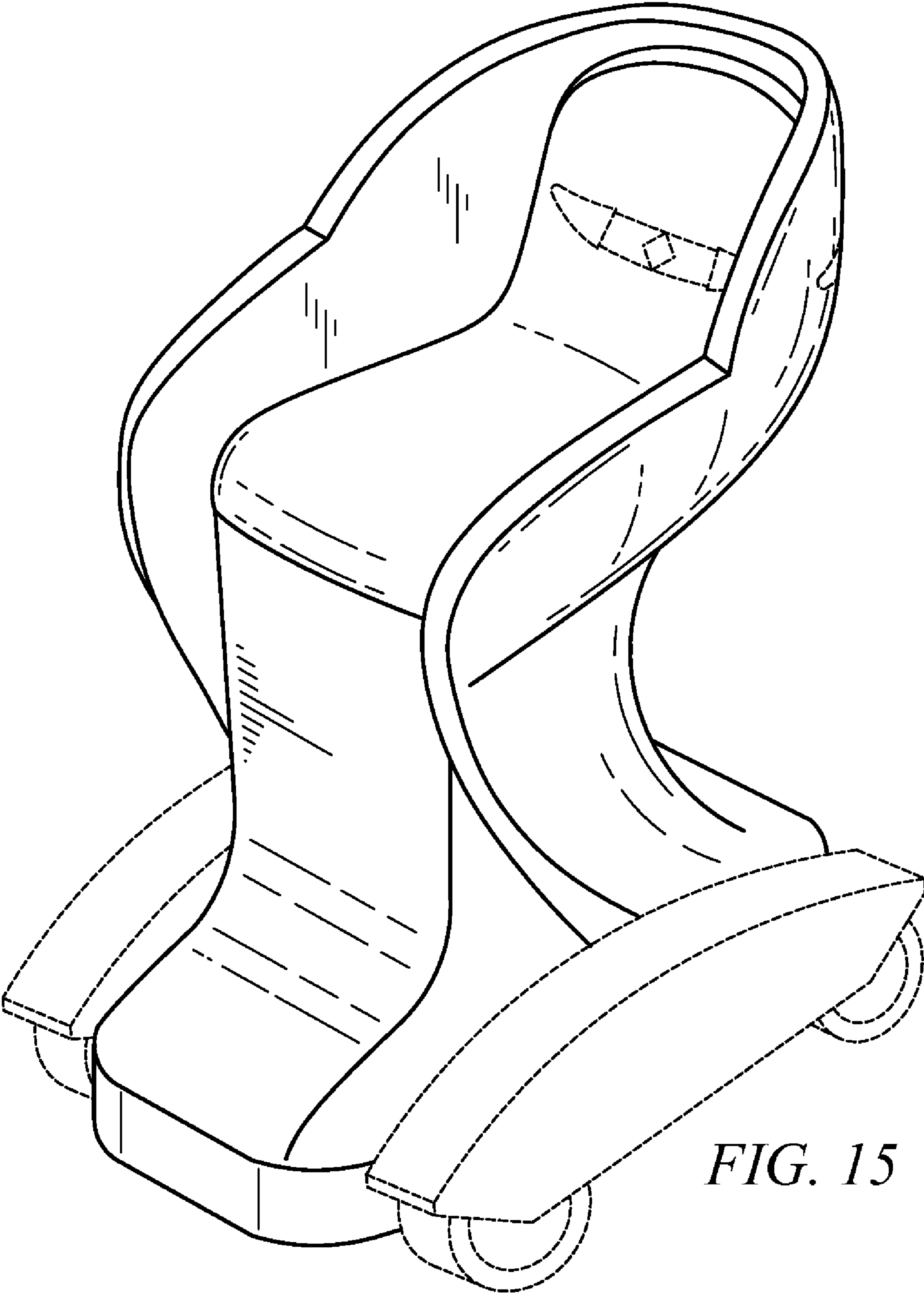


FIG. 15

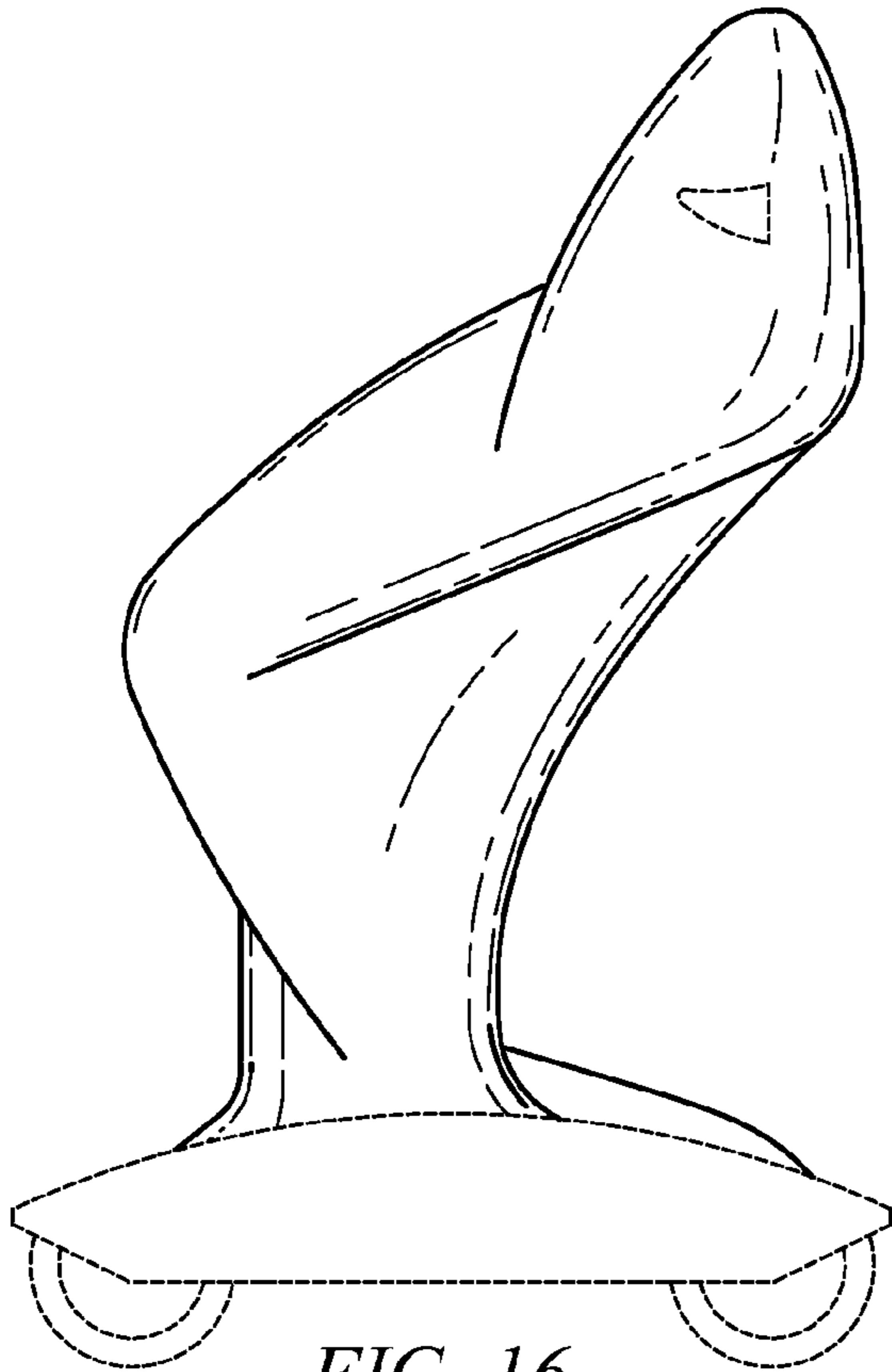


FIG. 16

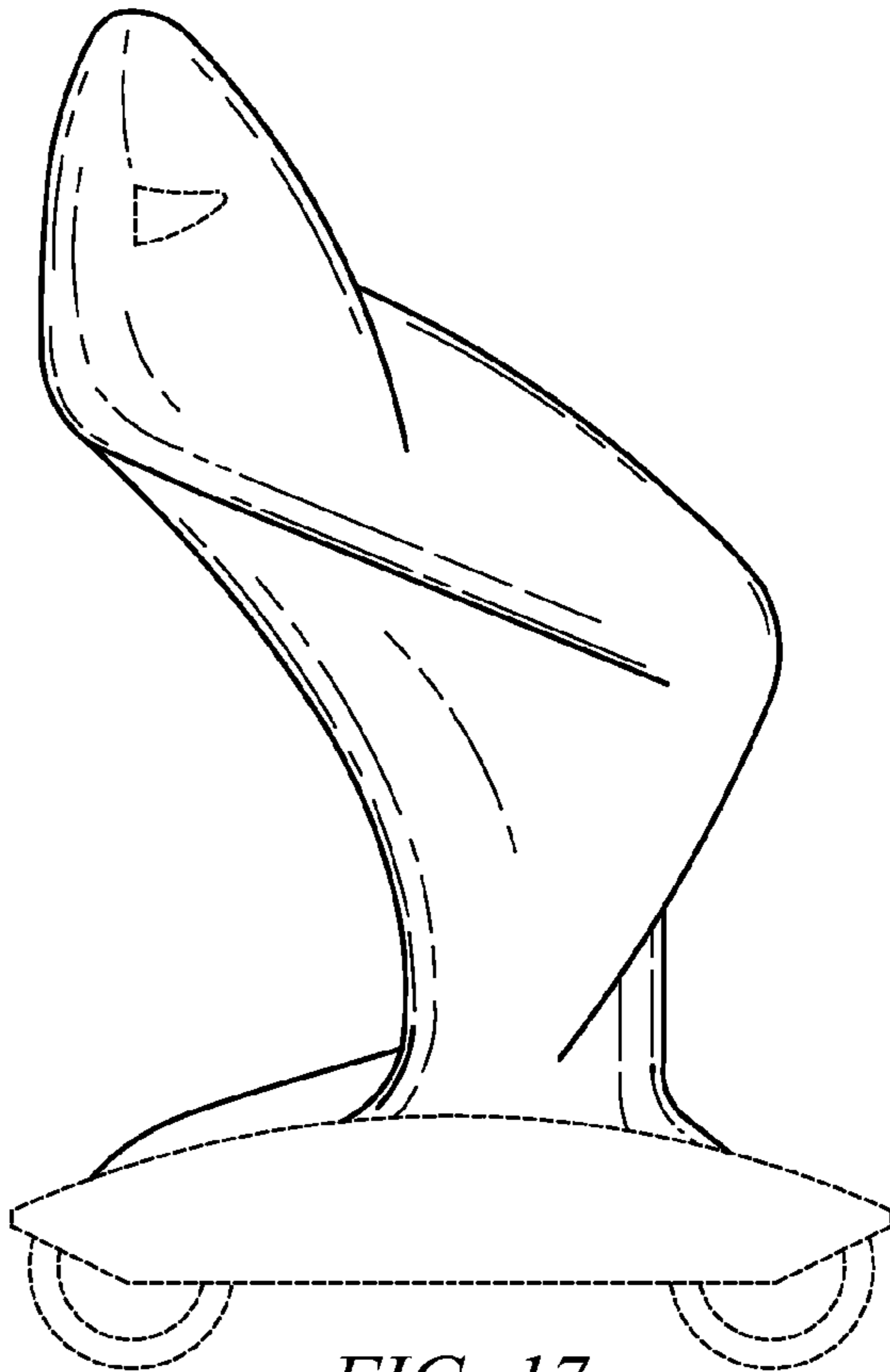


FIG. 17