

US00D642960S

(12) **United States Design Patent**  
**Berrier**

(10) **Patent No.:** **US D642,960 S**

(45) **Date of Patent:** **\*\* Aug. 9, 2011**

(54) **VEHICLE FRAME**

(76) **Inventor:** **R. Michael Berrier**, San Antonio, TX  
(US)

(\*\*) **Term:** **14 Years**

(21) **Appl. No.:** **29/358,346**

(22) **Filed:** **Mar. 25, 2010**

(51) **LOC (9) Cl.** ..... **12-08**

(52) **U.S. Cl.** ..... **D12/82; D12/86**

(58) **Field of Classification Search** ..... D12/82,  
D12/86, 90-92; D21/424, 433, 434; 296/181.1,  
296/181.5; 280/781-787, 797; 180/311,  
180/312; 29/429, 897.2

See application file for complete search history.

(56) **References Cited**

**U.S. PATENT DOCUMENTS**

D451,050 S *	11/2001	Cerny et al.	.....	D12/86
D462,300 S *	9/2002	Cerny et al.	.....	D12/86
D521,899 S *	5/2006	Walden	.....	D12/86
D523,775 S *	6/2006	Walden	.....	D12/86
D523,776 S *	6/2006	Walden	.....	D12/86

7,140,667 B2 *	11/2006	Steinhauser et al.	.....	296/181.2
D552,509 S *	10/2007	Walkup et al.	.....	D12/16
D633,009 S *	2/2011	Matei et al.	.....	D12/91
D633,823 S *	3/2011	Matei et al.	.....	D12/91

\* cited by examiner

*Primary Examiner* — Melody N Brown

(74) *Attorney, Agent, or Firm* — Cox Smith Matthews Incorporated

(57) **CLAIM**

The ornamental design for a vehicle frame, as shown and described.

**DESCRIPTION**

FIG. 1 is a front perspective view showing our new design for a vehicle frame;

FIG. 2 is a top view thereof;

FIG. 3 is a front elevational view thereof;

FIG. 4 is a left side elevational view thereof;

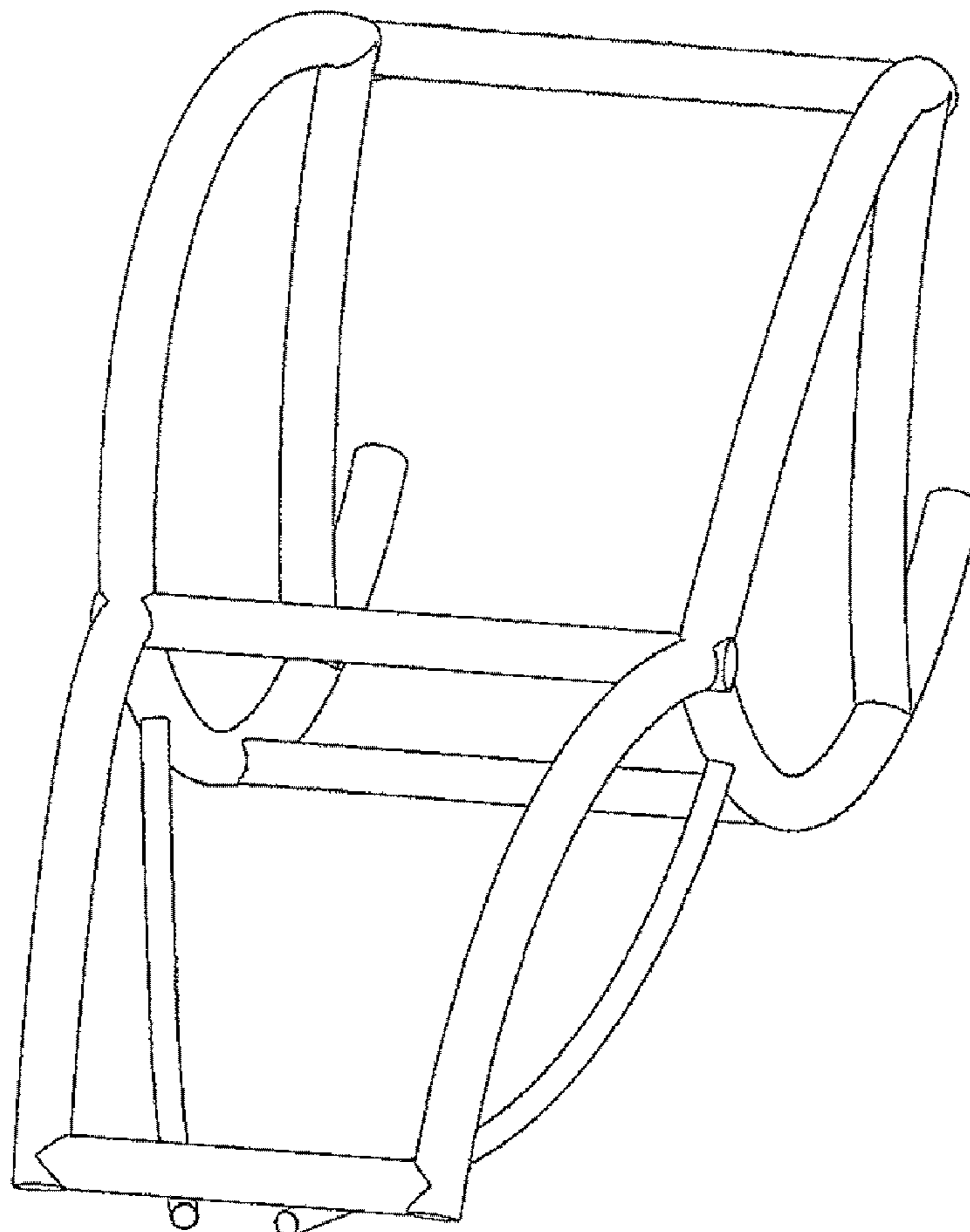
FIG. 5 is a right side elevational view thereof;

FIG. 6 is a rear elevational view thereof;

FIG. 7 is a bottom plan view thereof; and,

FIG. 8 is a rear perspective view thereof.

**1 Claim, 8 Drawing Sheets**



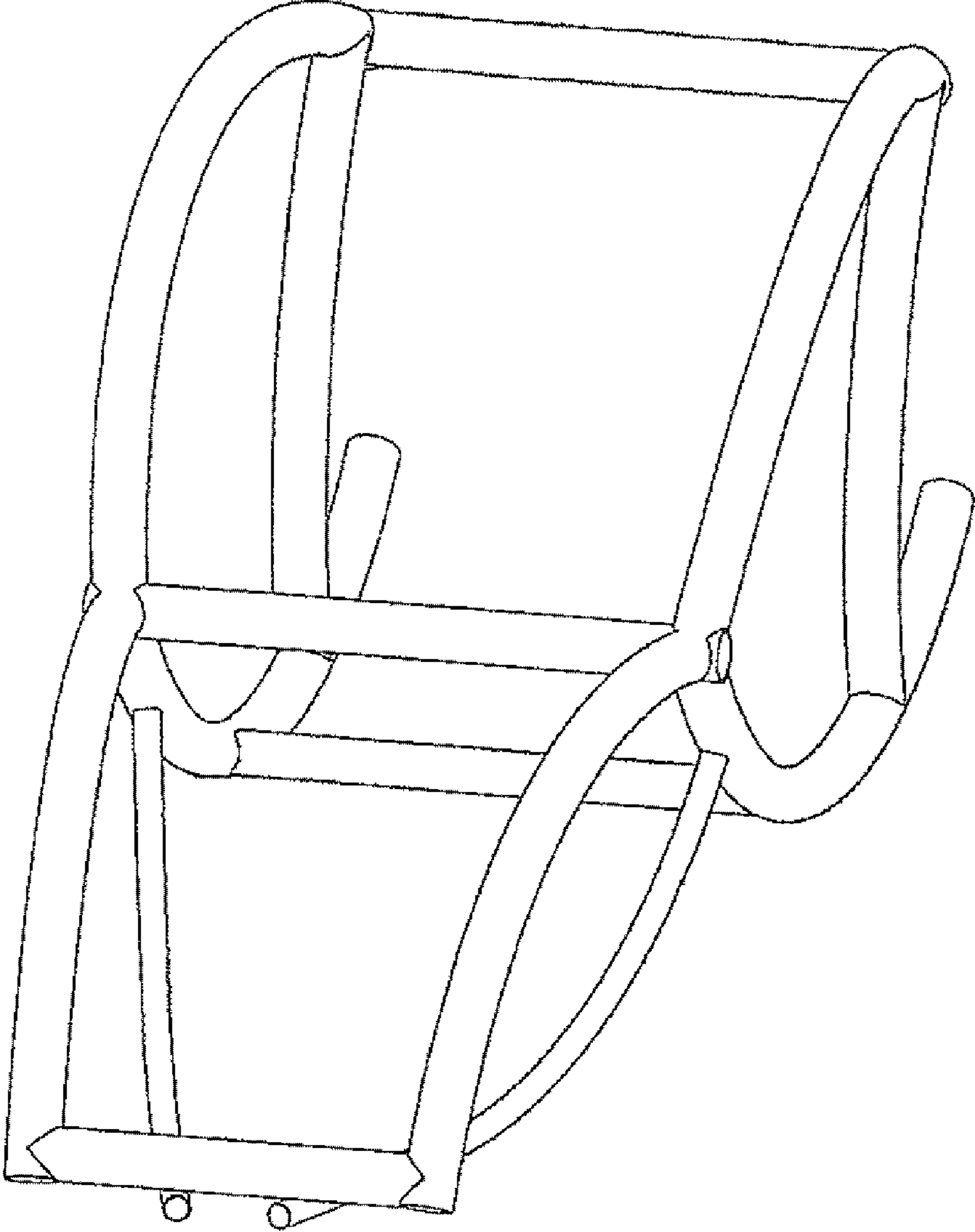


FIG. 1

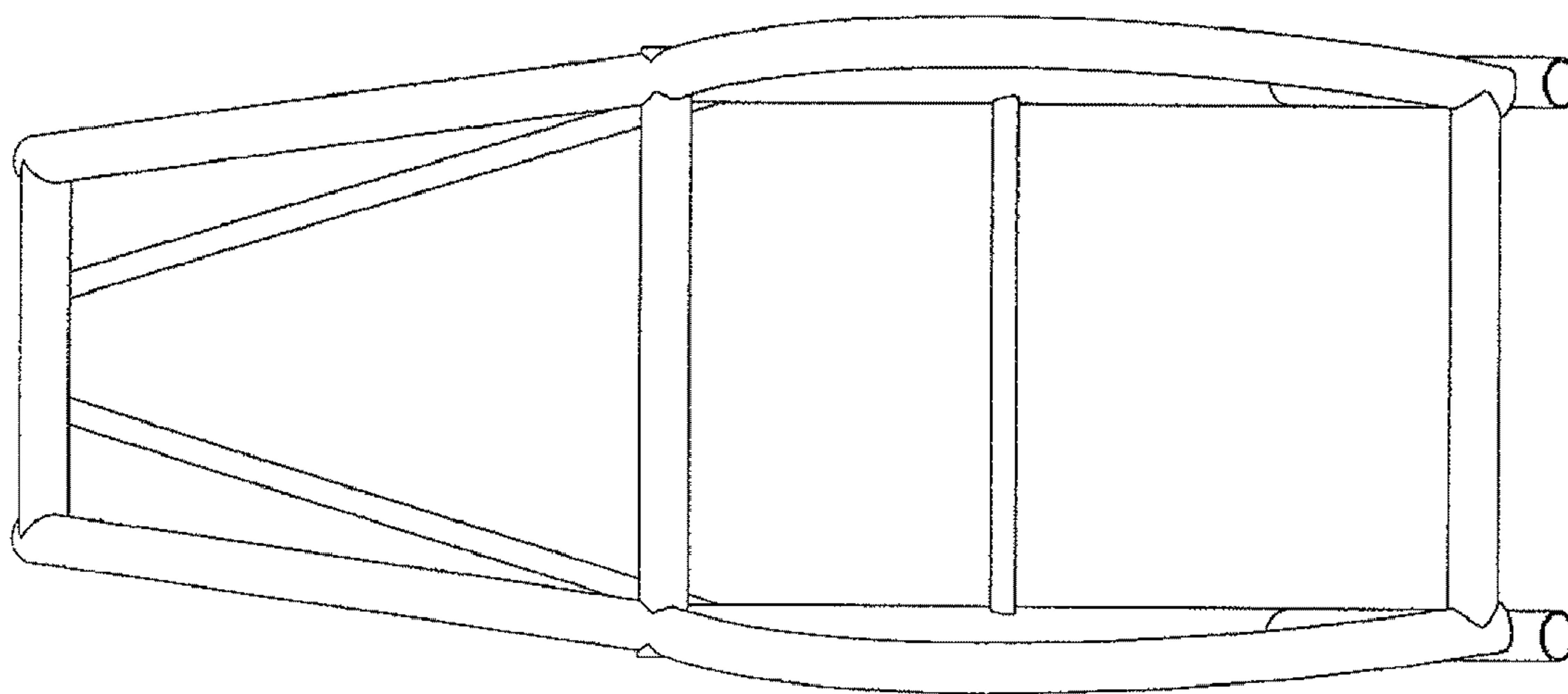


FIG. 2

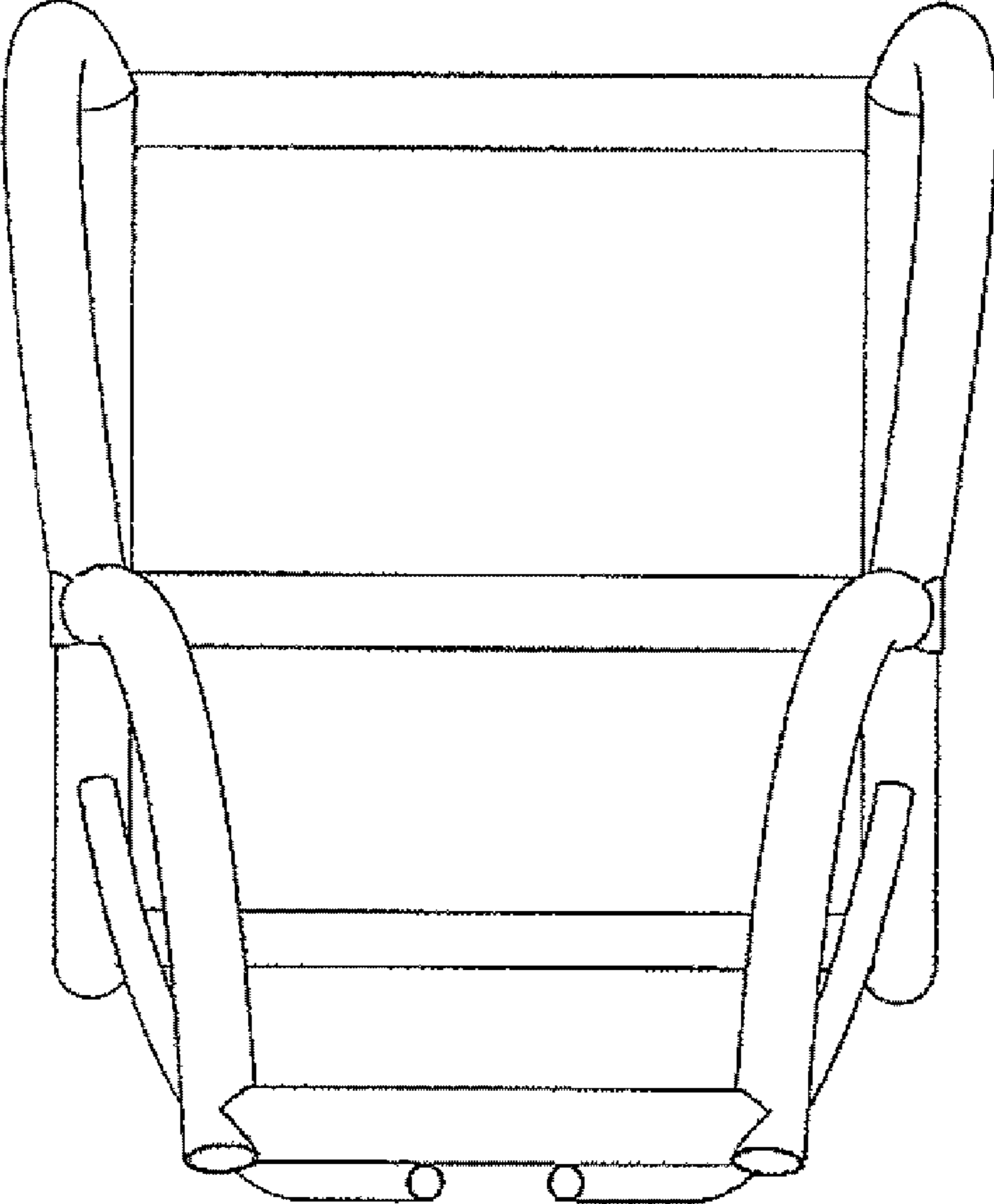


FIG. 3

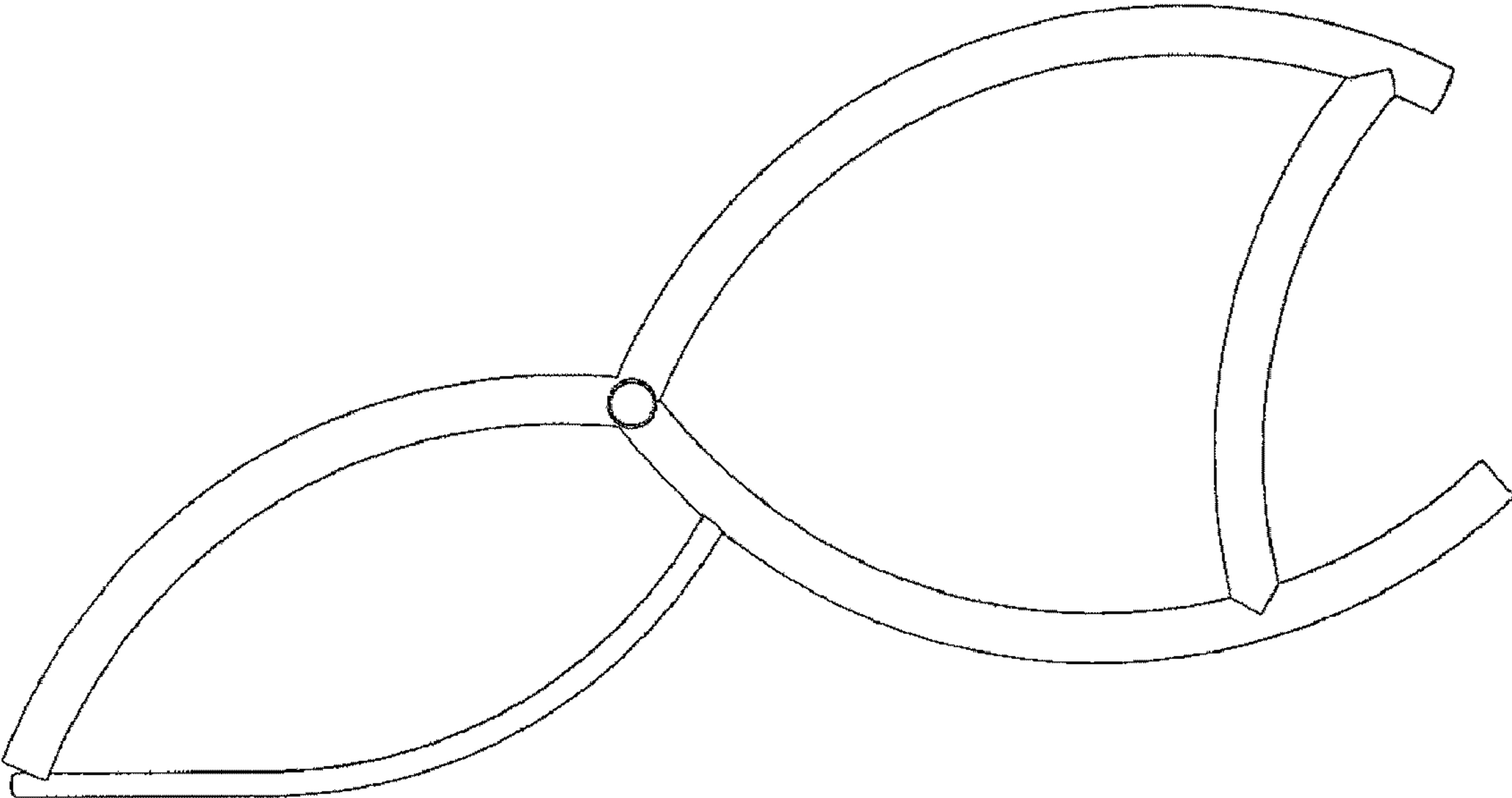


FIG. 4

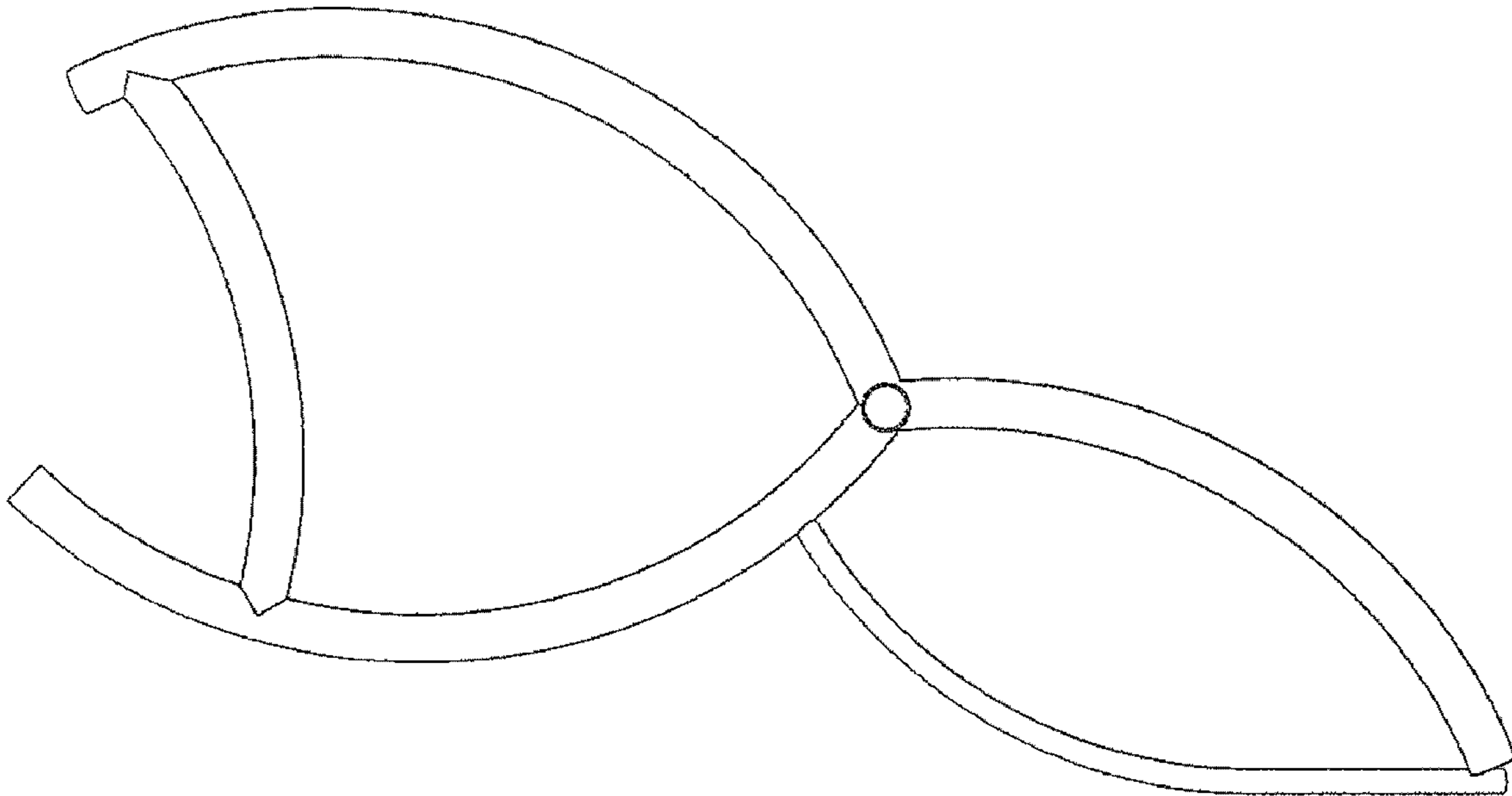


FIG. 5

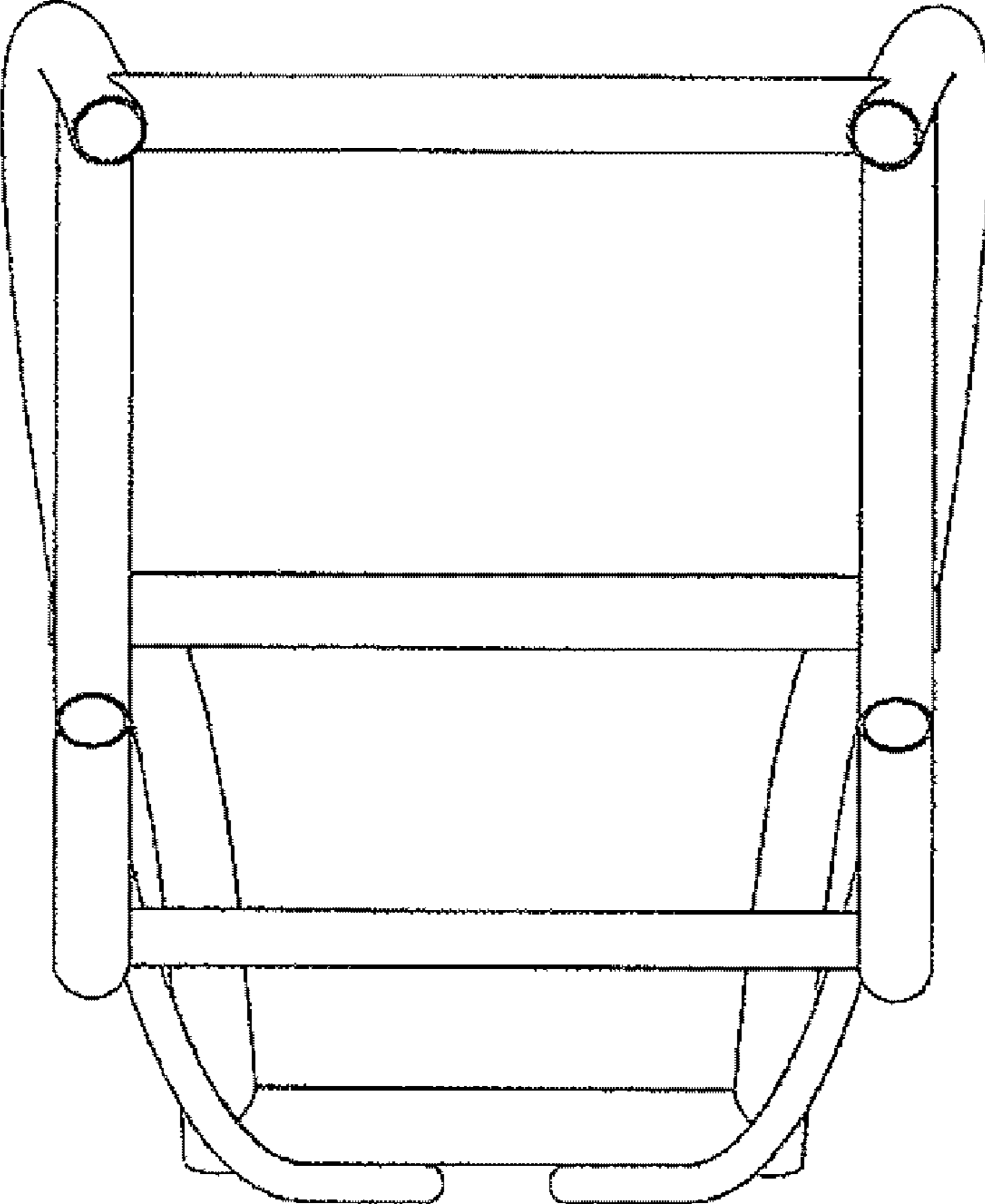


FIG. 6



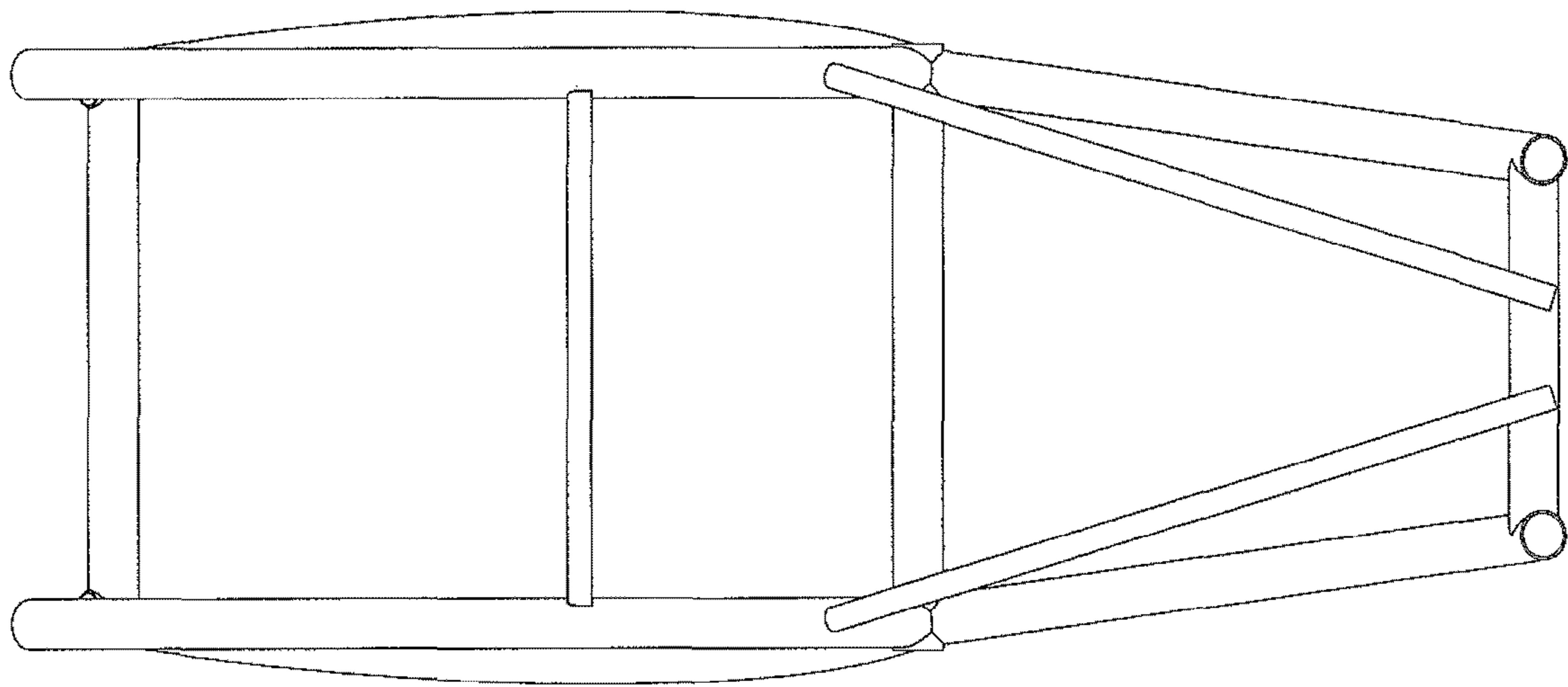


FIG. 7



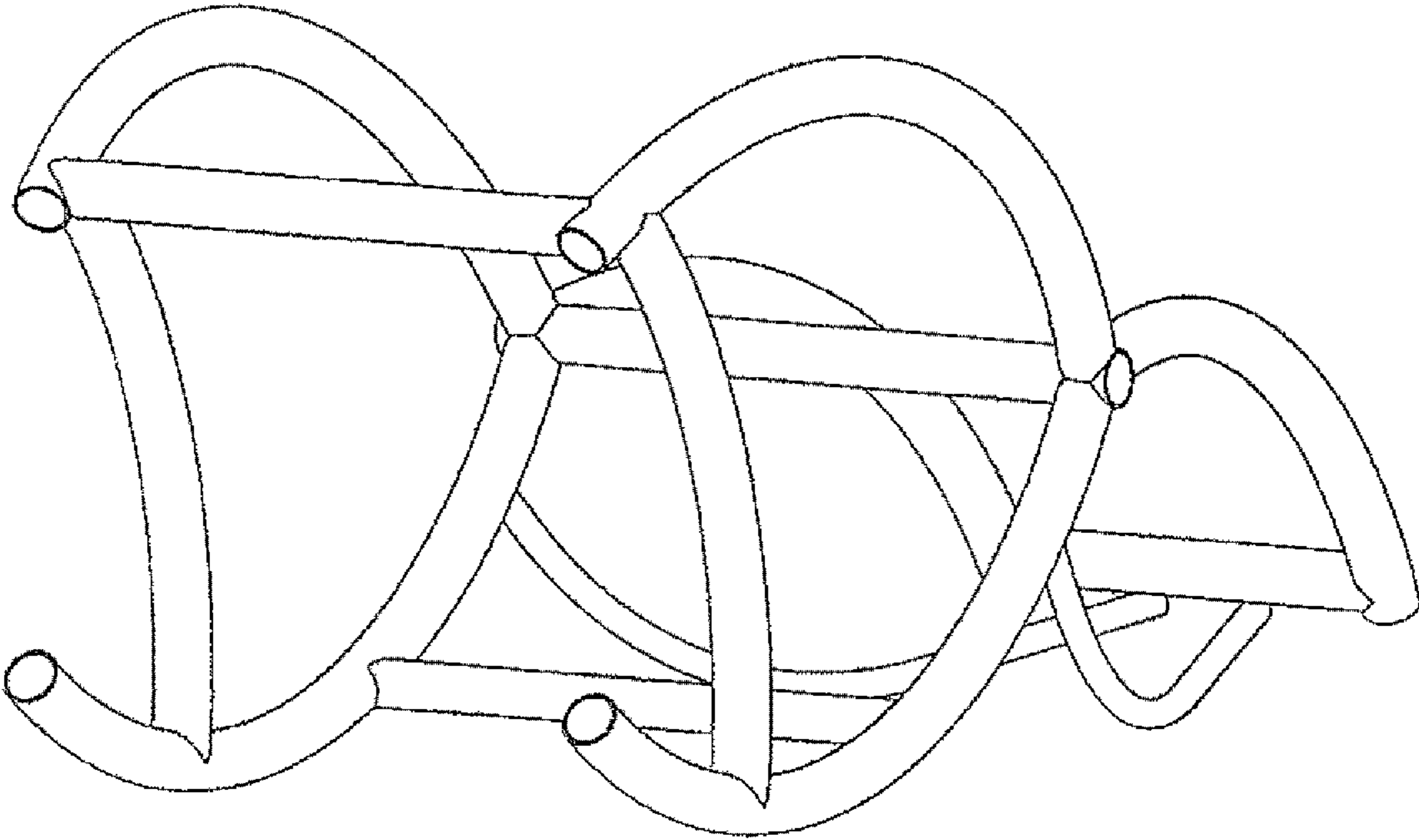


FIG. 8