



US00D642958S

(12) **United States Design Patent**
Long

(10) **Patent No.:** **US D642,958 S**

(45) **Date of Patent:** **** *Aug. 9, 2011**

(54) **GOLF CUP AND FLAG STICK**

(76) Inventor: **Michael J. Long**, Graham, NC (US)

(*) Notice: This patent is subject to a terminal disclaimer.

(**) Term: **14 Years**

(21) Appl. No.: **29/360,200**

(22) Filed: **Apr. 21, 2010**

(51) **LOC (9) Cl.** **11-05**

(52) **U.S. Cl.** **D11/182**

(58) **Field of Classification Search** D11/165–183;
D20/16, 17, 21, 28, 41–43; 40/218, 584,
40/604, 606.01, 606.15, 607.01, 607.03,
40/607.05; 116/173–175; 248/200, 218.4,
248/511, 514, 518–521, 534–539; 473/174,
473/176

See application file for complete search history.

(56) **References Cited**

U.S. PATENT DOCUMENTS

1,329,732	A *	2/1920	Verity	473/176
1,505,375	A *	8/1924	Chenoweth	473/176
1,675,089	A *	6/1928	Bloom	473/176
1,813,696	A *	7/1931	Crocker	473/176
1,918,994	A *	7/1933	Stutz	473/177
1,943,610	A *	1/1934	John	473/176
3,436,077	A *	4/1969	Geram	473/176
3,572,707	A	3/1971	Stapleton, Jr	
4,095,788	A	6/1978	Benenson	
4,114,879	A	9/1978	Oiler	
5,451,045	A *	9/1995	Garske	473/176
5,964,667	A *	10/1999	Brookman	473/176
6,345,722	B1 *	2/2002	Wingate	211/70.2
6,722,997	B2	4/2004	Gilmour	
6,939,239	B1 *	9/2005	Ash	473/176
7,033,280	B2 *	4/2006	Hottle et al.	473/176

7,455,594	B1 *	11/2008	Priegel	473/176
7,500,919	B2	3/2009	Priegel	
7,594,859	B2 *	9/2009	Mullen	473/176
2003/0096659	A1	5/2003	Webb	
2003/0157989	A1 *	8/2003	Porter	473/173
2009/0137331	A1 *	5/2009	Hansen	473/176
2010/0004068	A1 *	1/2010	Adame	473/176

FOREIGN PATENT DOCUMENTS

WO WO 2008/147581 A1 12/2008

OTHER PUBLICATIONS

Commonly-assigned, co-pending U.S. Appl. No. 12/636,694 for “System for Improved Golf Flag Stick Stability and Reduced Golf Cup and/or Flag Stick Ferrule Wear,” (Unpublished, filed Dec. 11, 2009).

* cited by examiner

Primary Examiner — Karen Acker

(74) *Attorney, Agent, or Firm* — Jenkins, Wilson, Taylor & Hunt, P.A.

(57) **CLAIM**

The ornamental design for a golf cup and flag stick, as shown and described.

DESCRIPTION

FIG. 1 is a perspective view of a golf cup and flag stick according to the present invention;

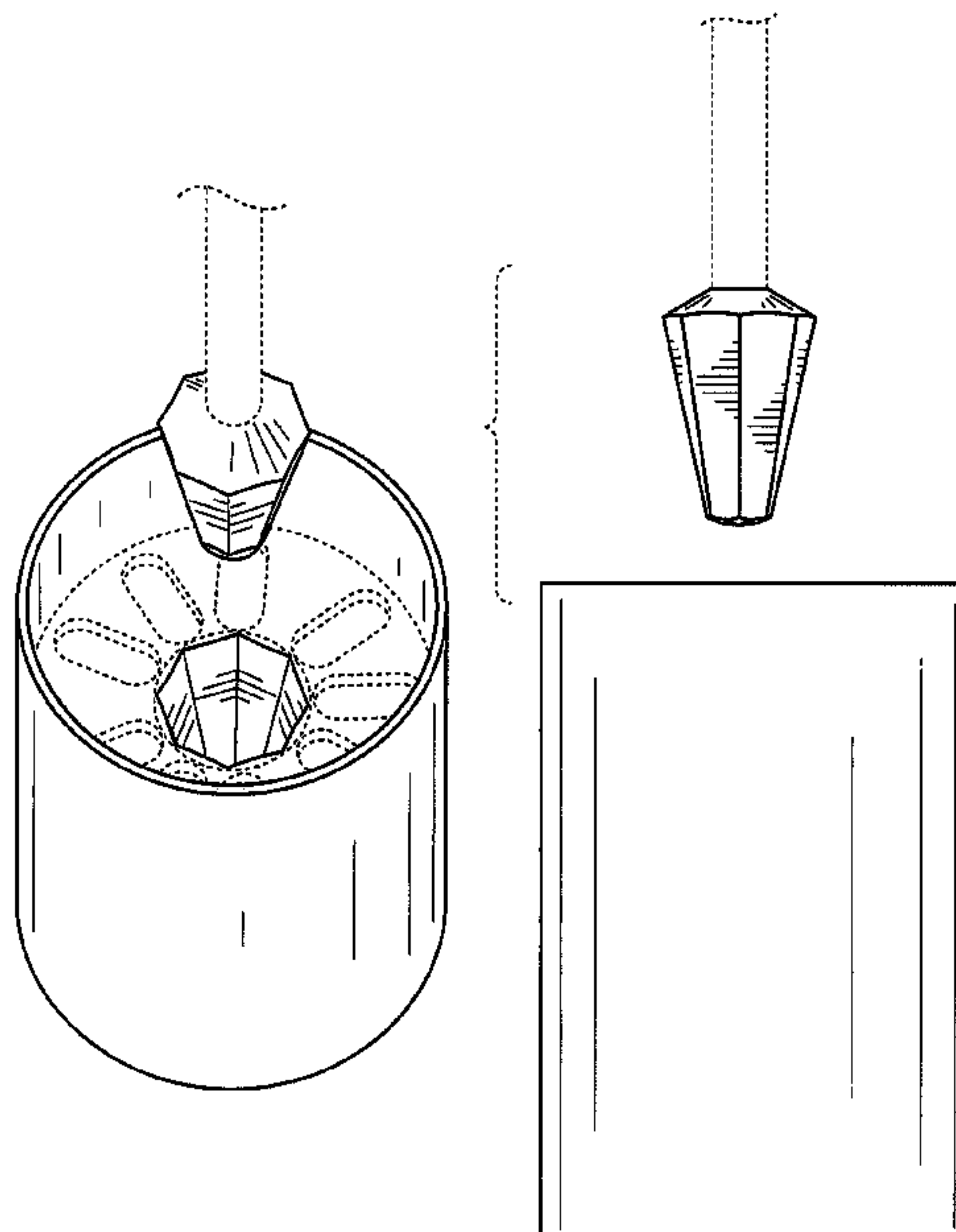
FIG. 2 is a side view of a golf cup and flag stick according to the present invention;

FIG. 3 is a top view of a golf cup and flag stick according to the present invention; and,

FIG. 4 is a bottom view of a golf cup and flag stick according to the present invention.

The broken lines in the drawings represent the boundaries of the claimed design and unclaimed environmental subject matter. The broken lines form no part of the claimed design.

1 Claim, 4 Drawing Sheets



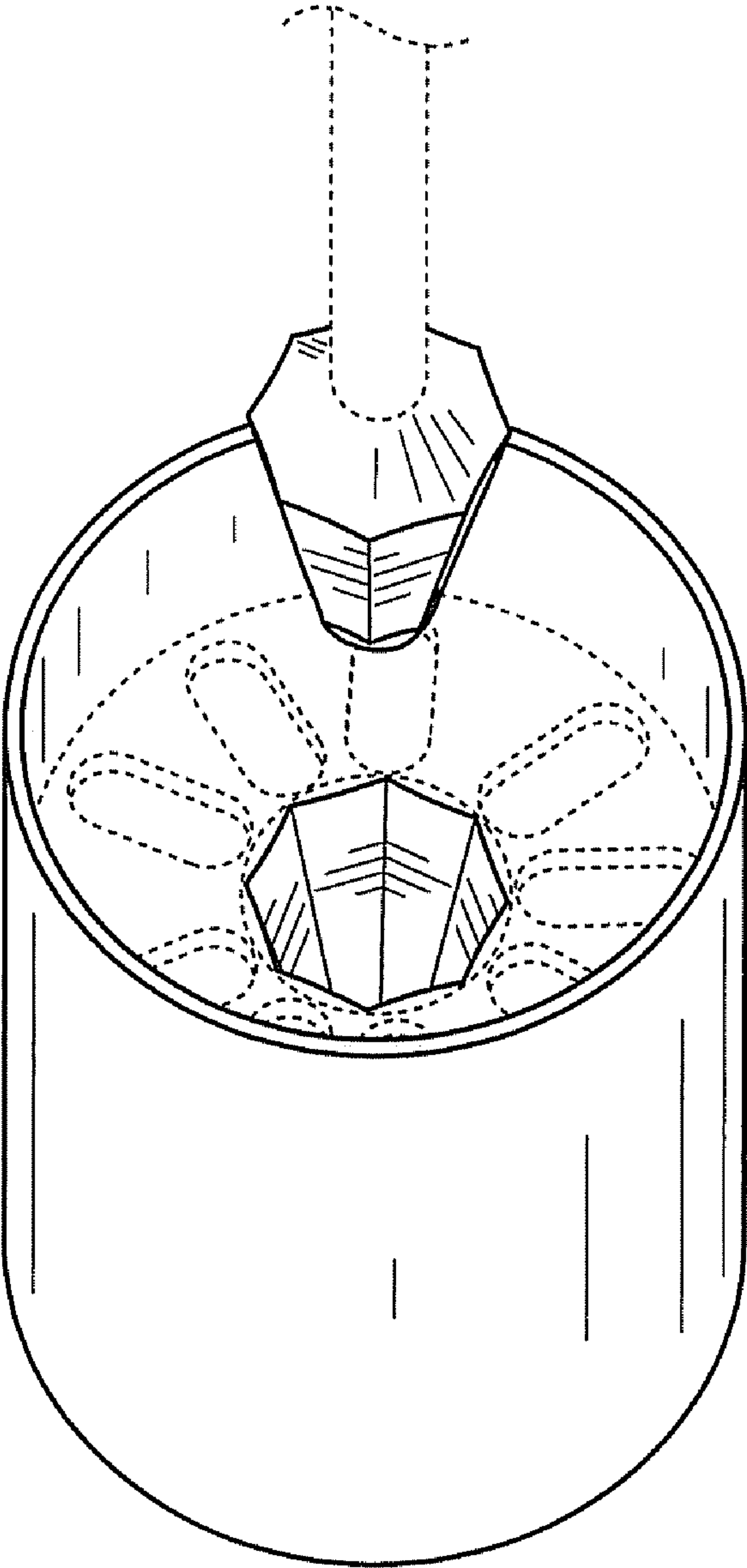


FIG. 1

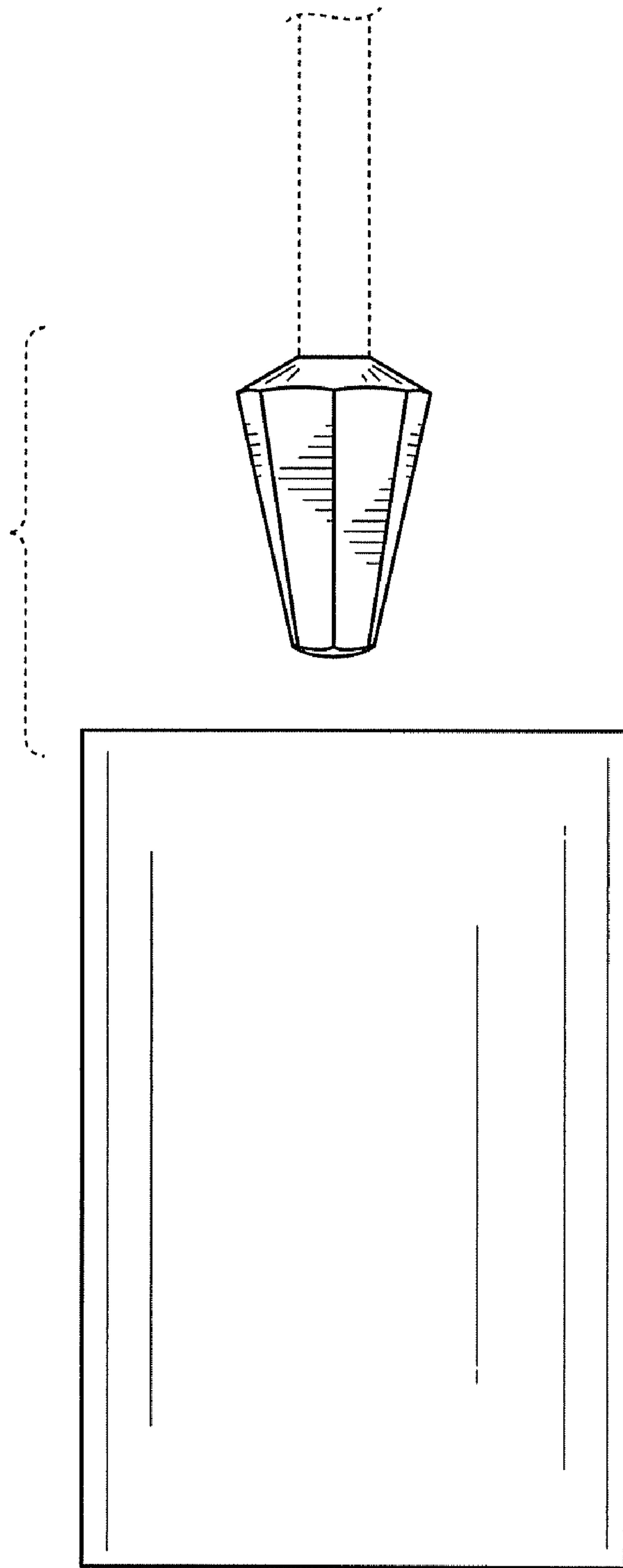


FIG. 2

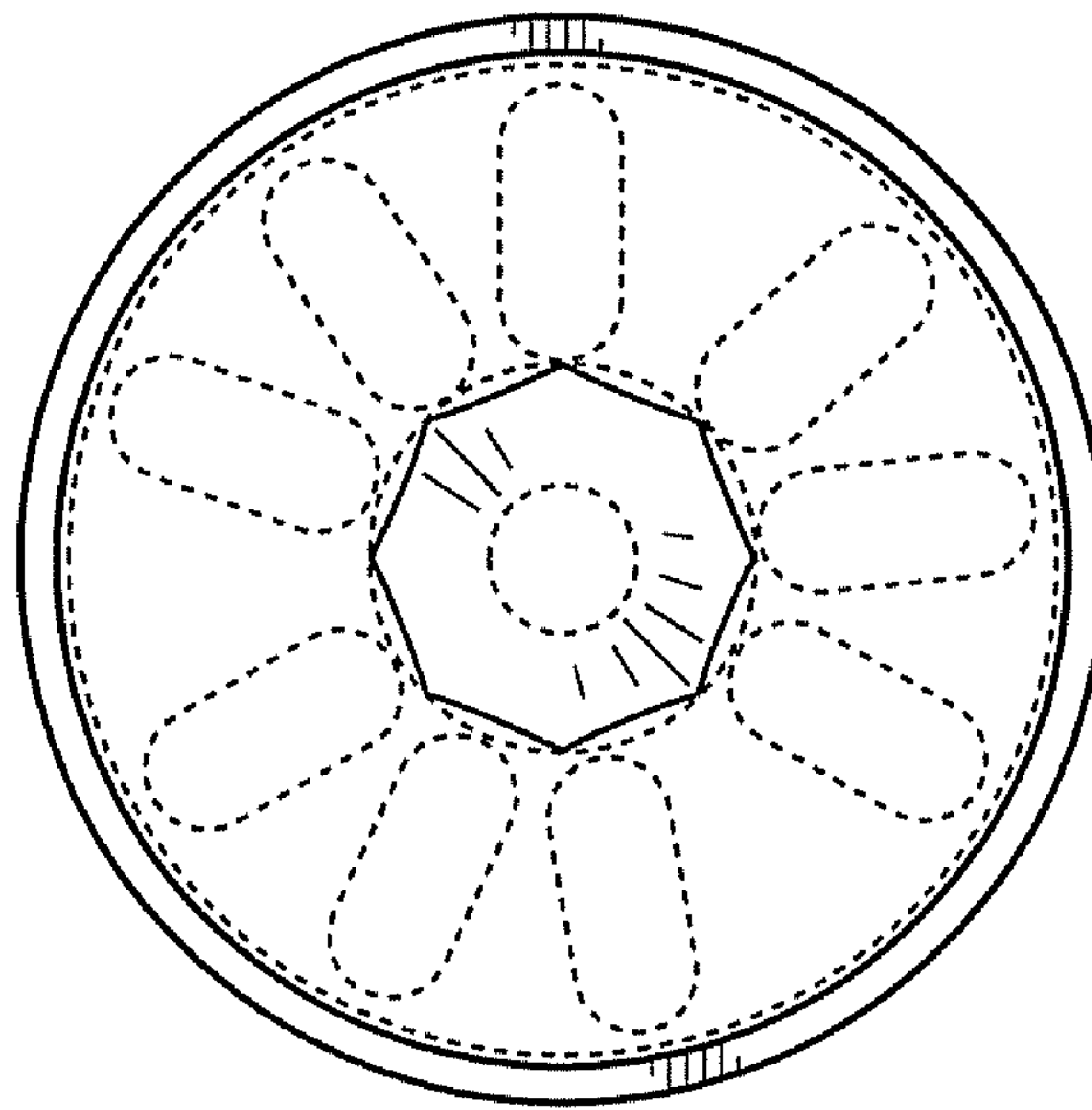


FIG. 3

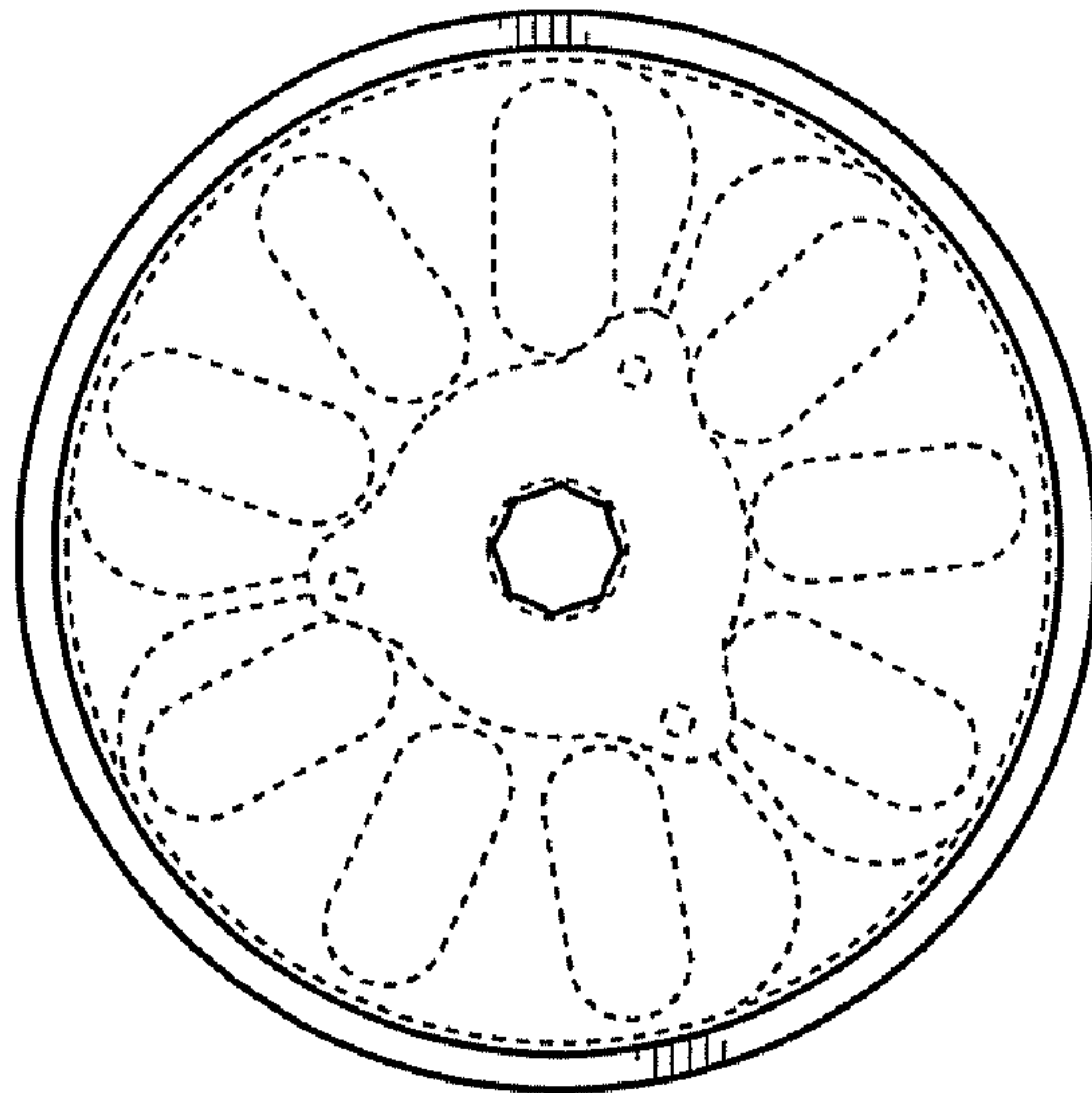


FIG. 4