



US00D642957S

(12) **United States Design Patent**
Eckert

(10) **Patent No.:** **US D642,957 S**

(45) **Date of Patent:** **** Aug. 9, 2011**

(54) **TWO PIECE PLANT CONTAINER**

(76) Inventor: **Karl Eckert, Novi, MI (US)**

(**) Term: **14 Years**

(21) Appl. No.: **29/358,300**

(22) Filed: **Mar. 25, 2010**

(51) **LOC (9) Cl.** **11-02**

(52) **U.S. Cl.** **D11/153**

(58) **Field of Classification Search** D6/403-405,
D6/556-558; D8/1; D11/143-156, 164;
D19/77, 80-82, 84; D25/100; D26/9-11,
D26/16-18, 20, 22; D34/1, 2, 4-6; D99/5,
D99/19; 47/32.7, 33, 39, 41.01, 41.1, 41.12,
47/41.13, 41.15, 44-47, 65.5, 65.9, 66.1,
47/66.3-66.6, 67-70

See application file for complete search history.

(56) **References Cited**

U.S. PATENT DOCUMENTS

D296,425 S *	6/1988	Carlson	D11/152
D346,135 S *	4/1994	Carlson	D11/153
D352,479 S *	11/1994	Carlson	D11/153
D385,507 S *	10/1997	Hulsebus	D11/156
D393,817 S *	4/1998	Folley	D11/153
D461,742 S *	8/2002	Carlson	D11/152
D488,741 S *	4/2004	Moya	D11/143
D511,477 S *	11/2005	Hensen	D11/153
D513,206 S *	12/2005	Talmadge	D11/153

D515,970 S *	2/2006	Hensen	D11/153
D548,132 S *	8/2007	Breakey	D11/154
D575,668 S *	8/2008	Rashid et al.	D11/152

* cited by examiner

Primary Examiner — Garth Rademaker

(74) *Attorney, Agent, or Firm* — John R. Benefiel

(57) **CLAIM**

The ornamental design for a two piece plant container, as shown and described.

DESCRIPTION

FIG. 1 is a perspective view of a two piece plant container according to the invention;

FIG. 2 is an exploded perspective view thereof;

FIG. 3 is an exploded right side elevation view thereof, an exploded left side elevation view being identical thereto;

FIG. 4 is an exploded front elevation view thereof, an exploded rear elevation view being identical thereto;

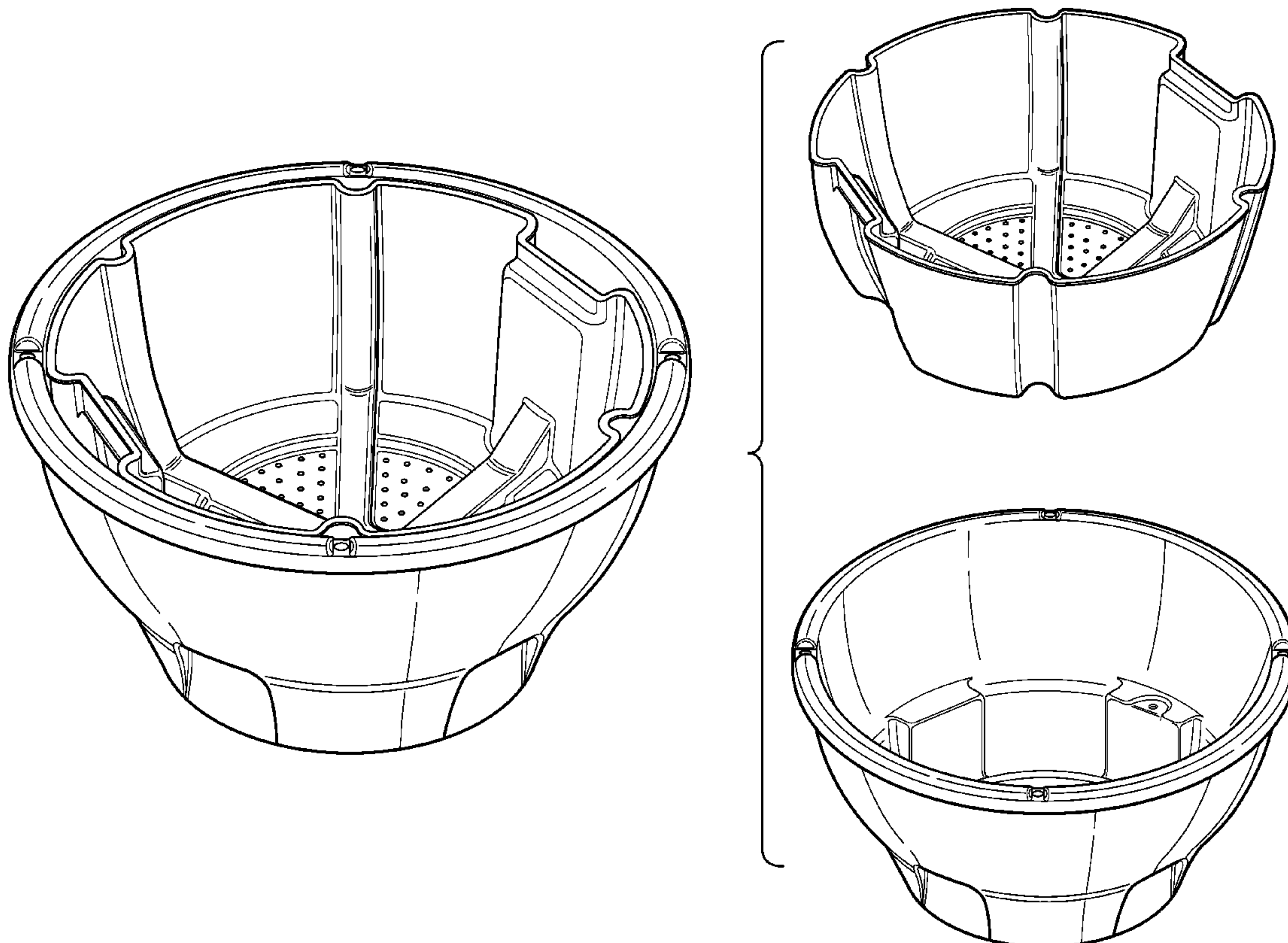
FIG. 5 is an exploded top plan view thereof; and,

FIG. 6 is an exploded bottom plan view thereof.

The inner portion of the design is rotatable within the outer portion of the design. FIGS. 3-6 show the inner portion of the design rotated approximately 60° from the position shown in FIGS. 1 and 2.

The broken lines depict environmental subject matter only and form no part of the claimed design.

1 Claim, 6 Drawing Sheets



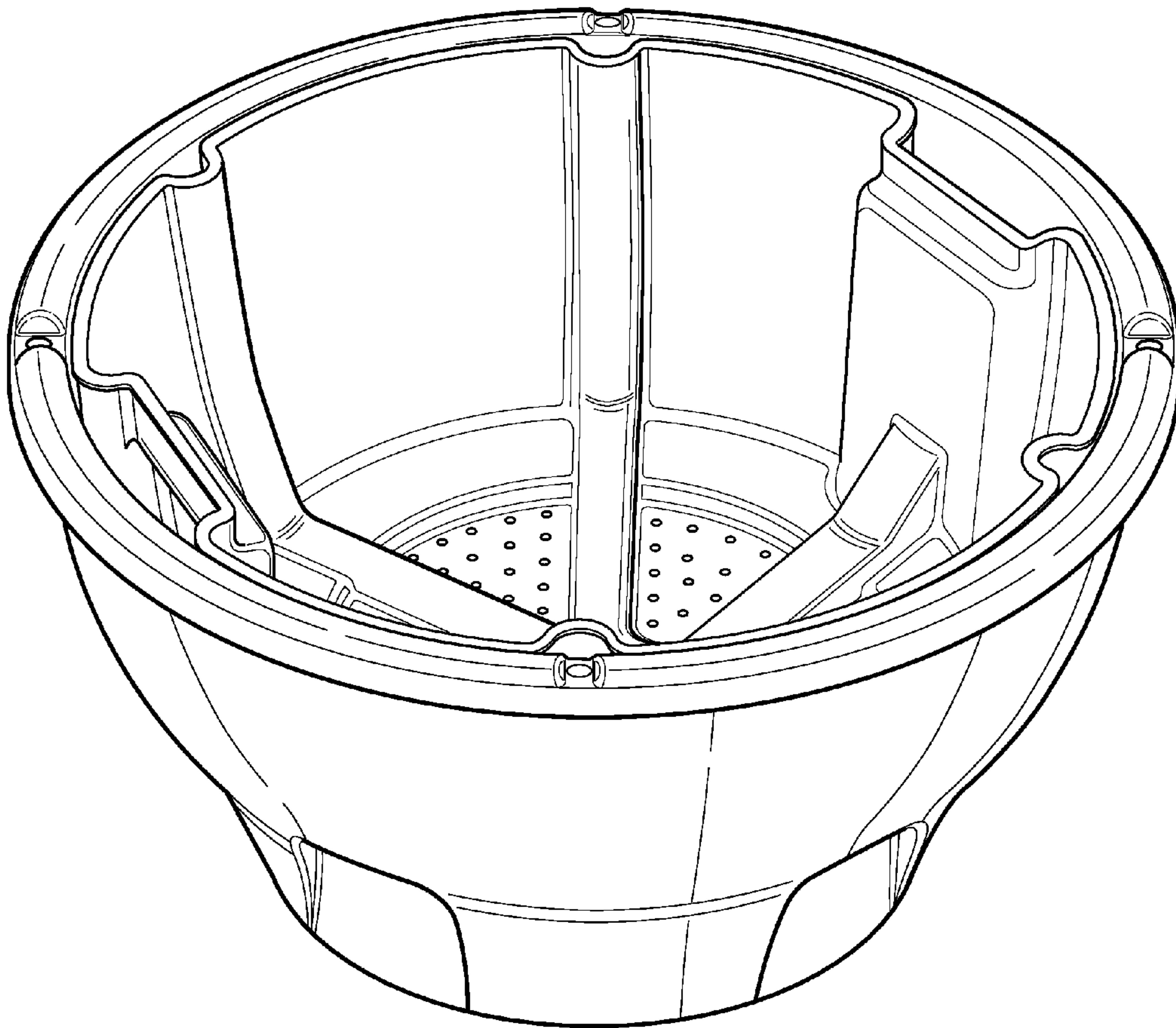


FIG. 1

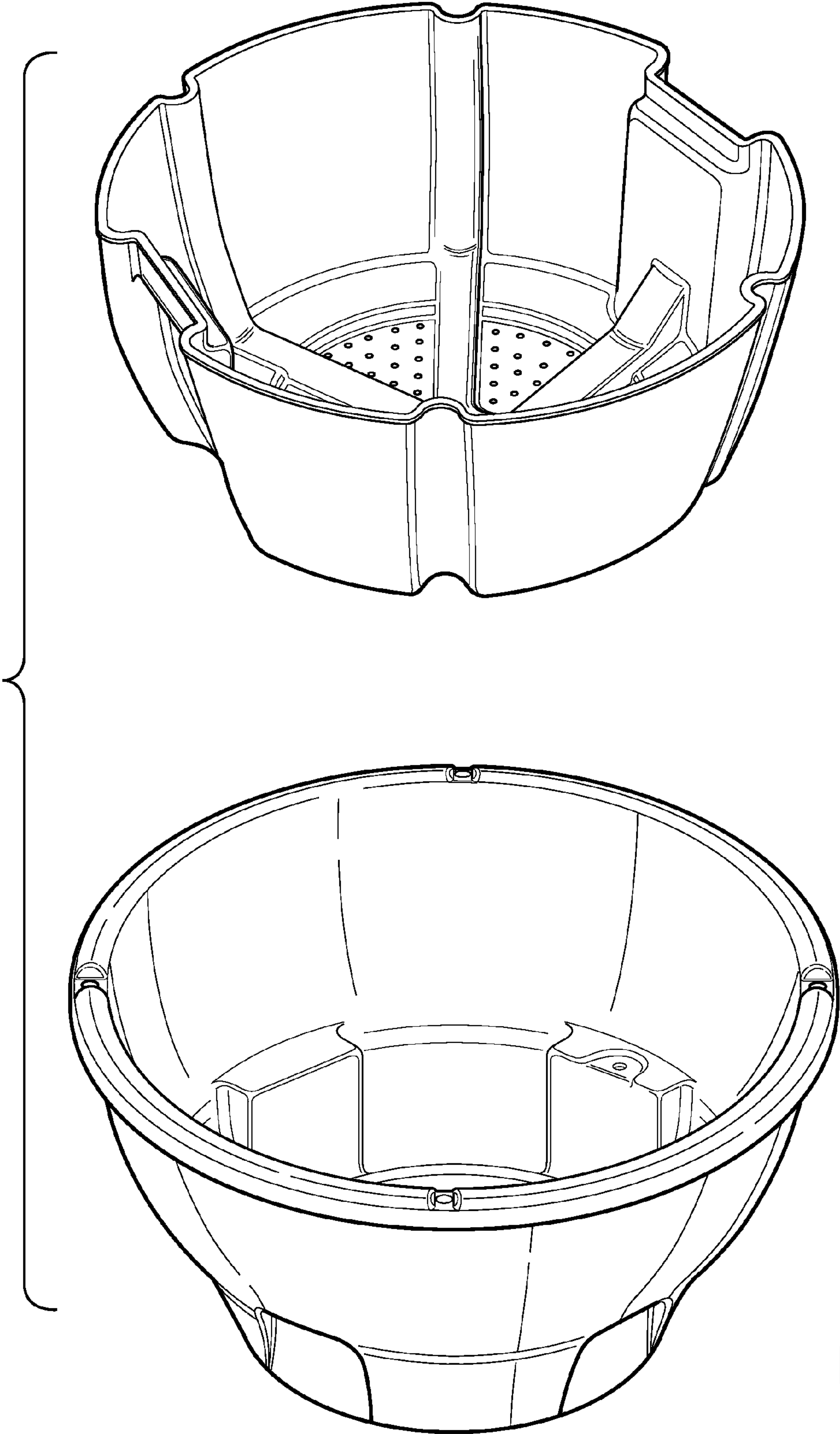


FIG. 2

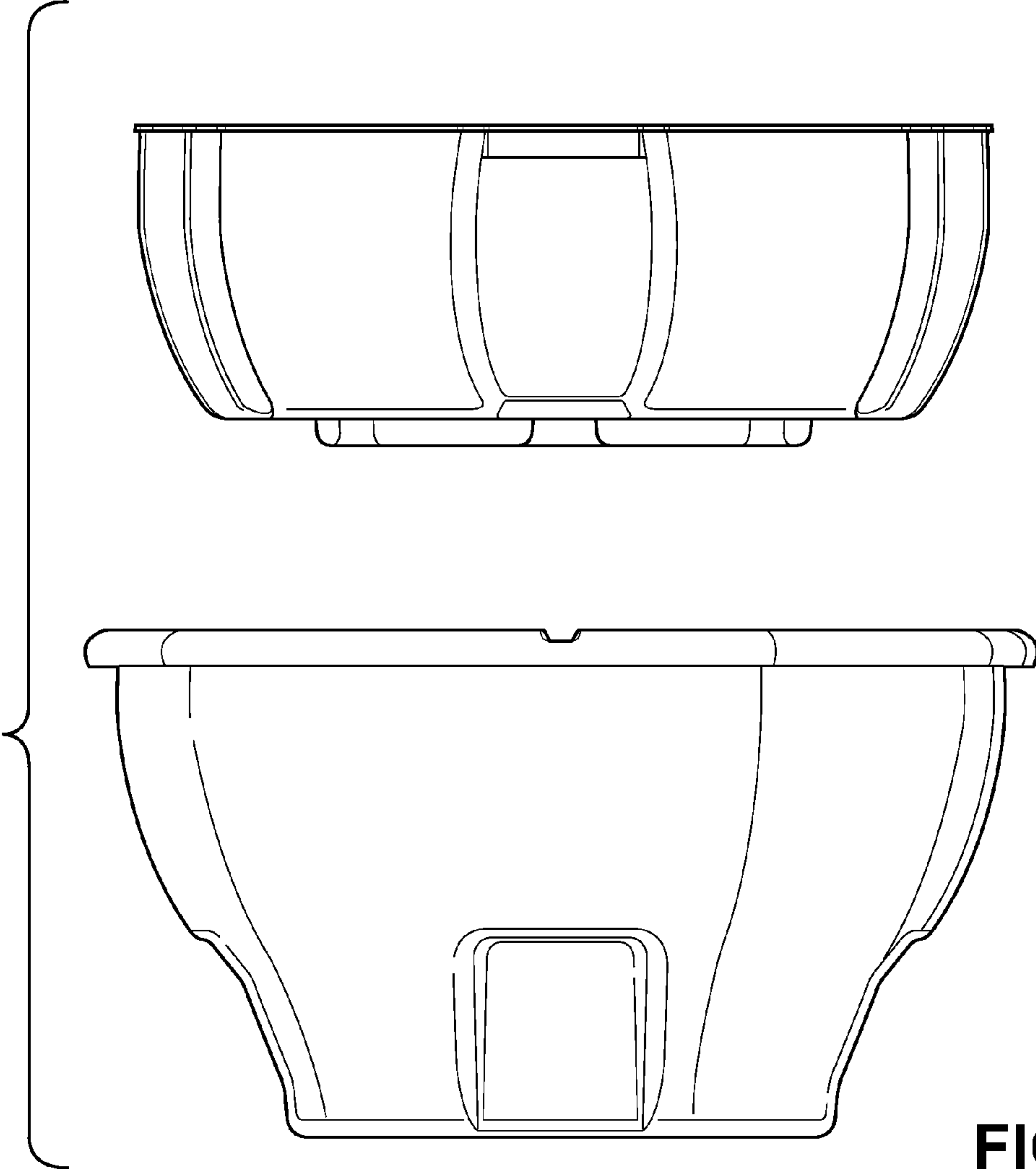


FIG. 3

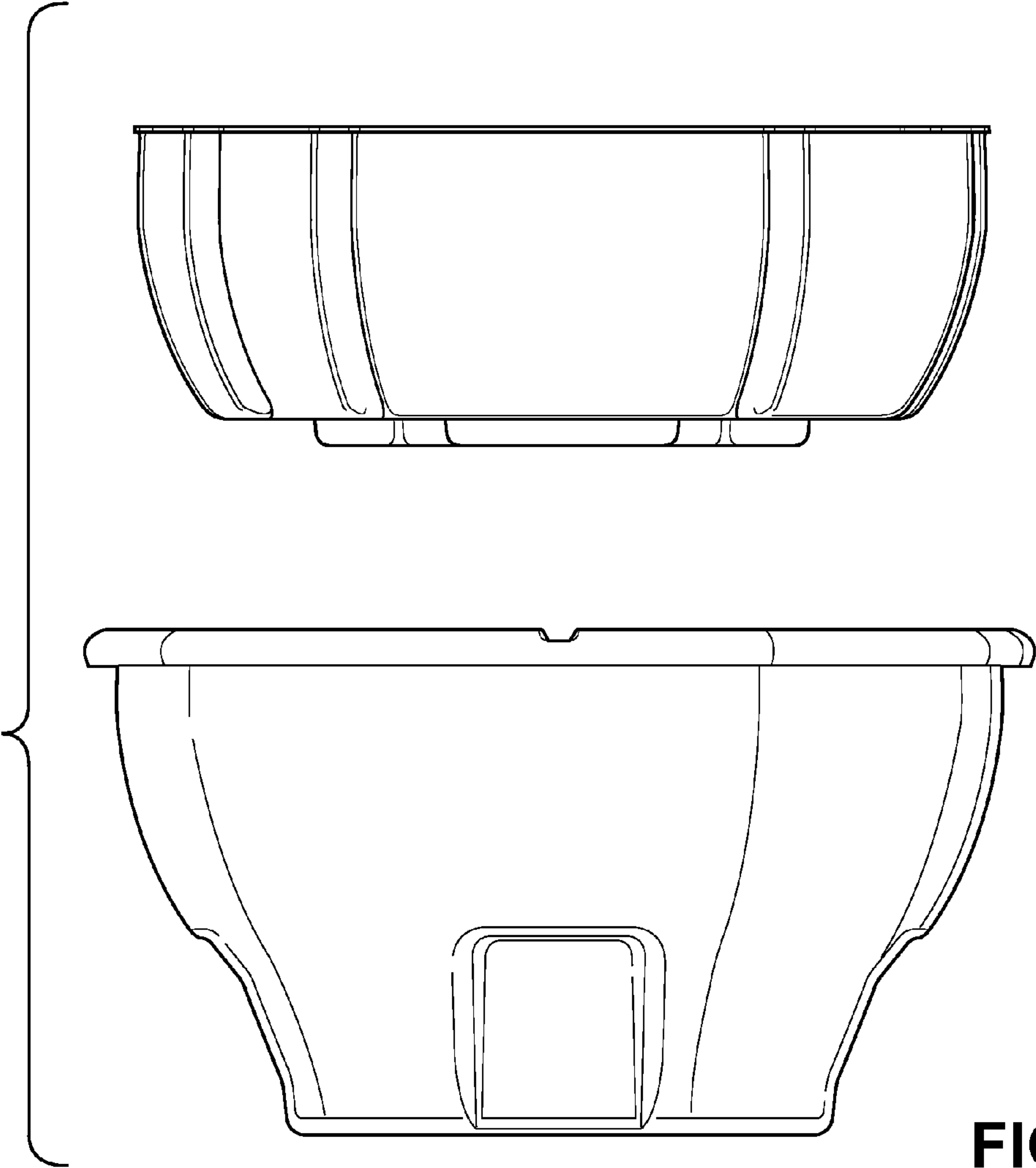


FIG. 4

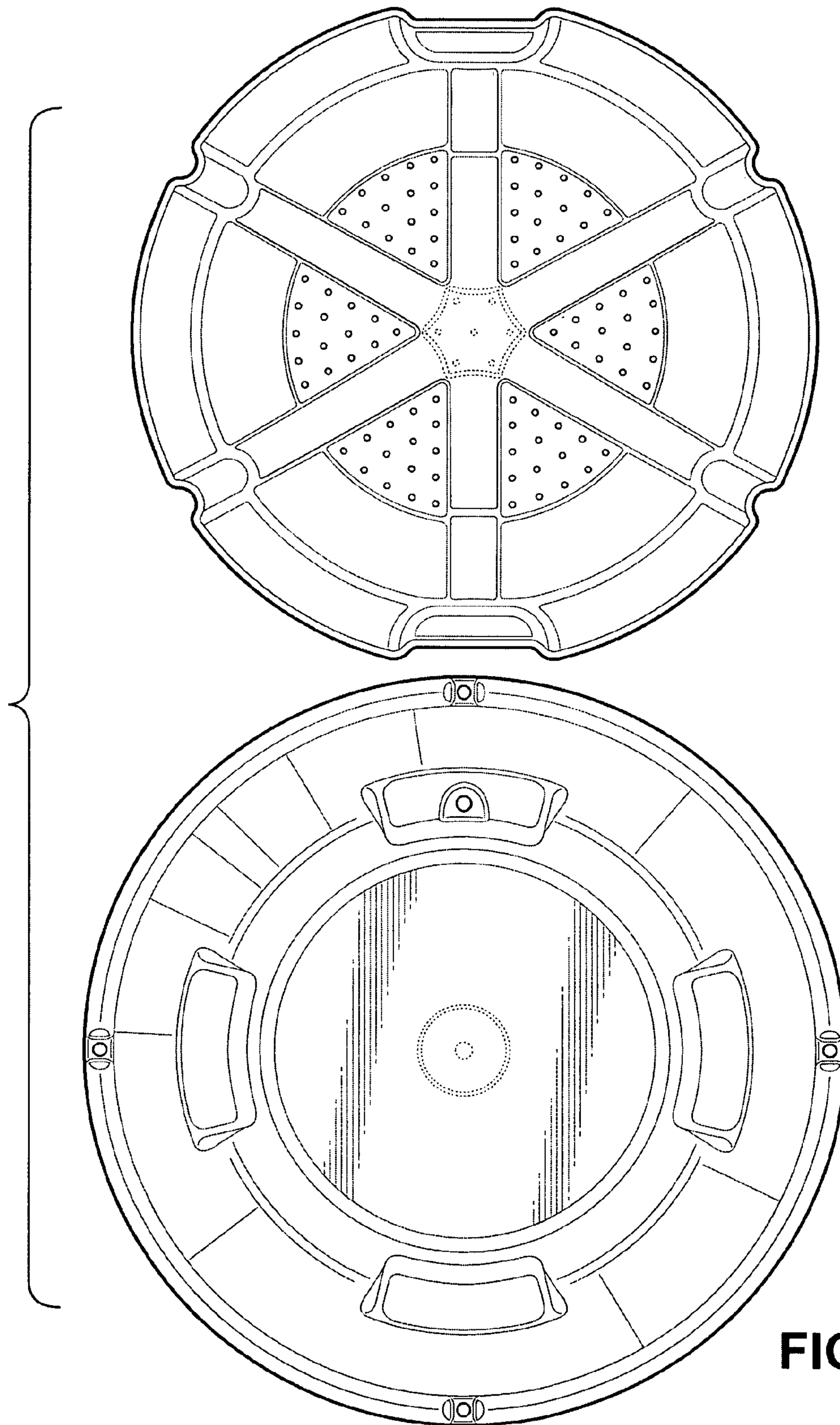


FIG. 5

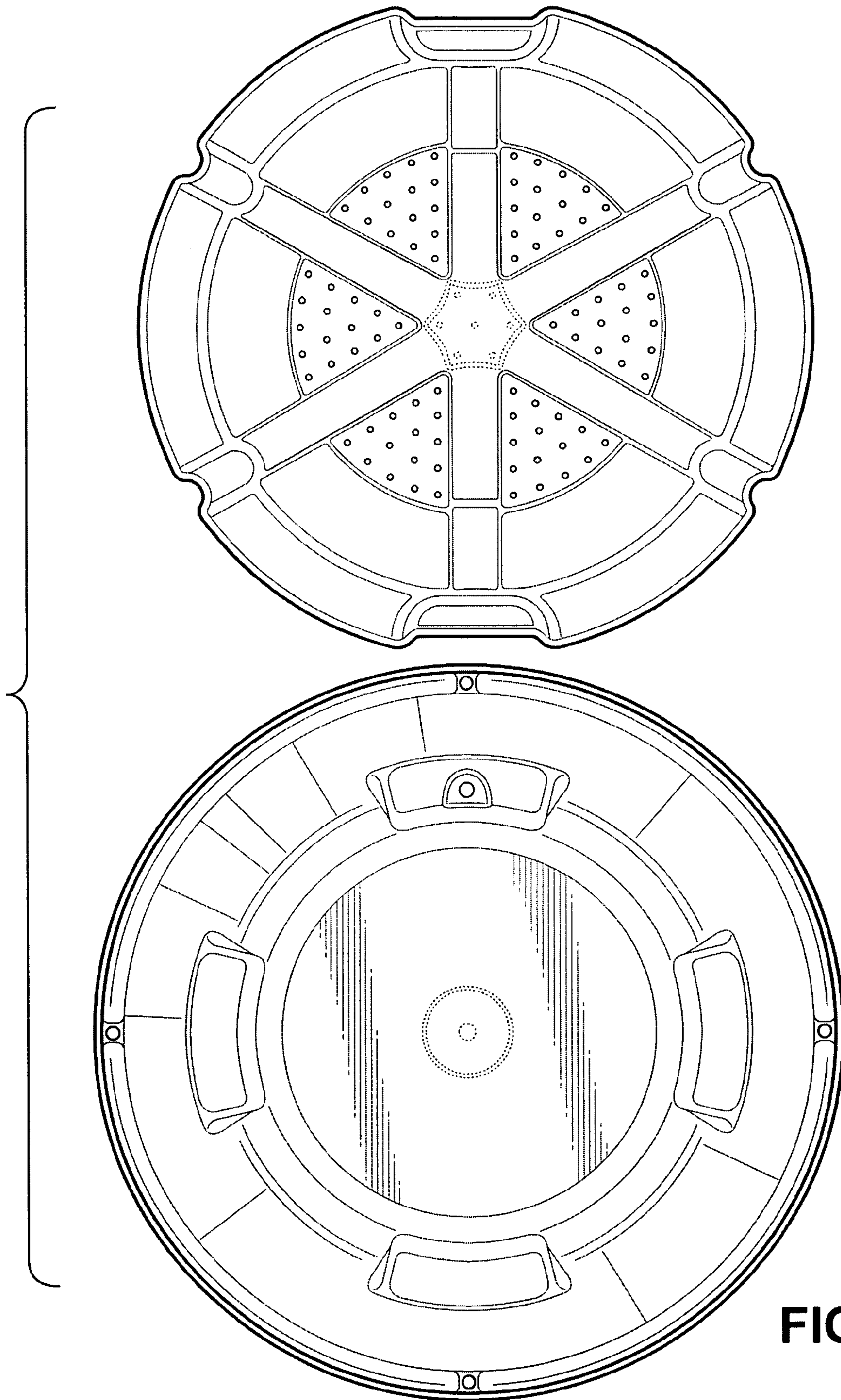


FIG. 6