



US00D642952S

(12) **United States Design Patent**
Elwell

(10) **Patent No.:** **US D642,952 S**

(45) **Date of Patent:** **** Aug. 9, 2011**

(54) **CLIP FOR VEHICLE LIGHT BAR**

* cited by examiner

(75) Inventor: **James P. Elwell**, Johnston, IA (US)

Primary Examiner — Richard E Chilcot

(73) Assignee: **Putco, Inc.**, Story City, IA (US)

Assistant Examiner — George D Kirschbaum

(**) Term: **14 Years**

(74) *Attorney, Agent, or Firm* — McKee, Voorhees & Sease, P.L.C.

(21) Appl. No.: **29/345,102**

(57) **CLAIM**

I claim the ornamental design for a clip for vehicle light bar, substantially as shown and described.

(22) Filed: **Oct. 9, 2009**

(51) **LOC (9) Cl.** **10-05**

(52) **U.S. Cl.** **D10/121**

(58) **Field of Classification Search** D10/121;
D22/109–110; D25/119–125; 42/111, 133
See application file for complete search history.

DESCRIPTION

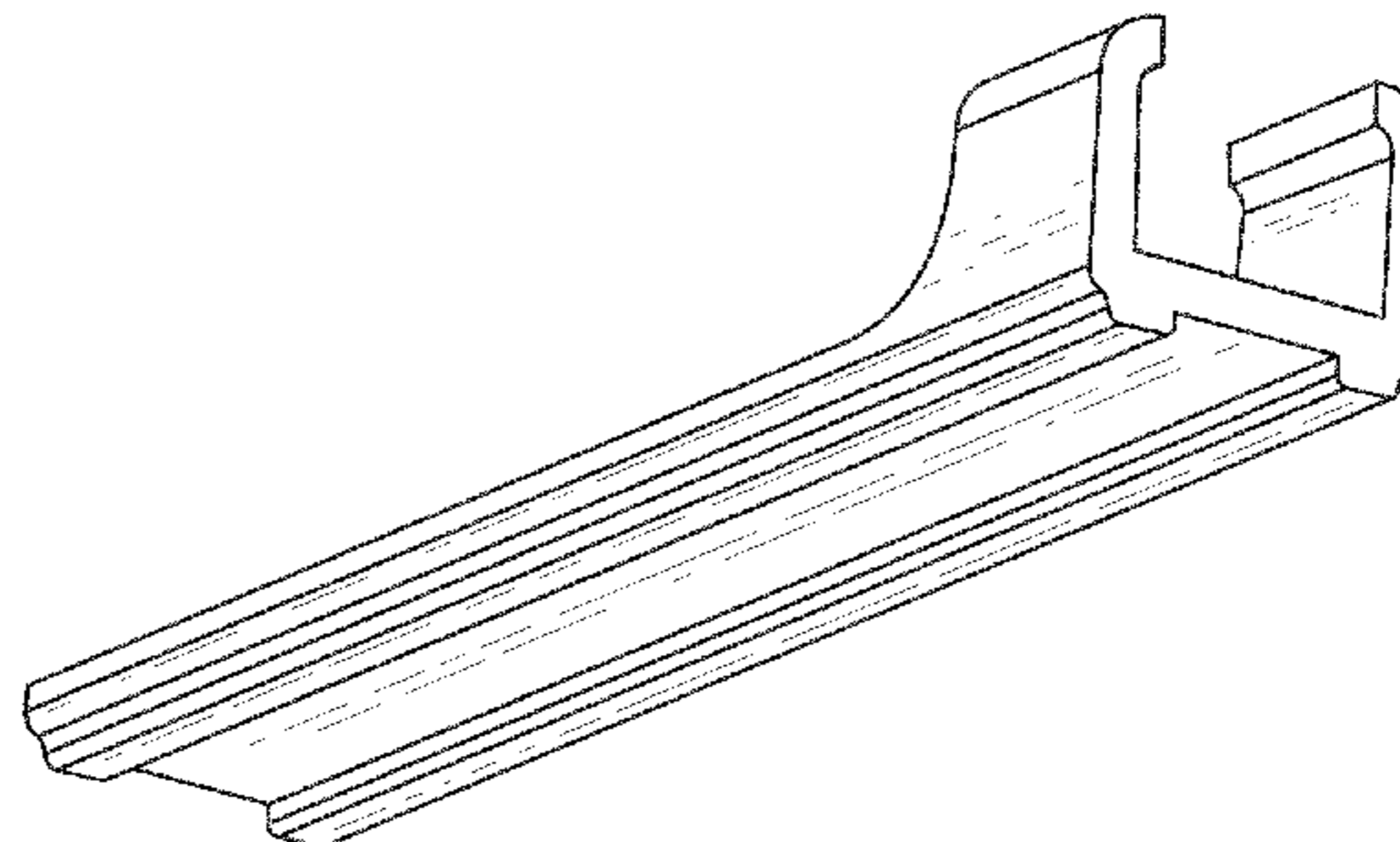
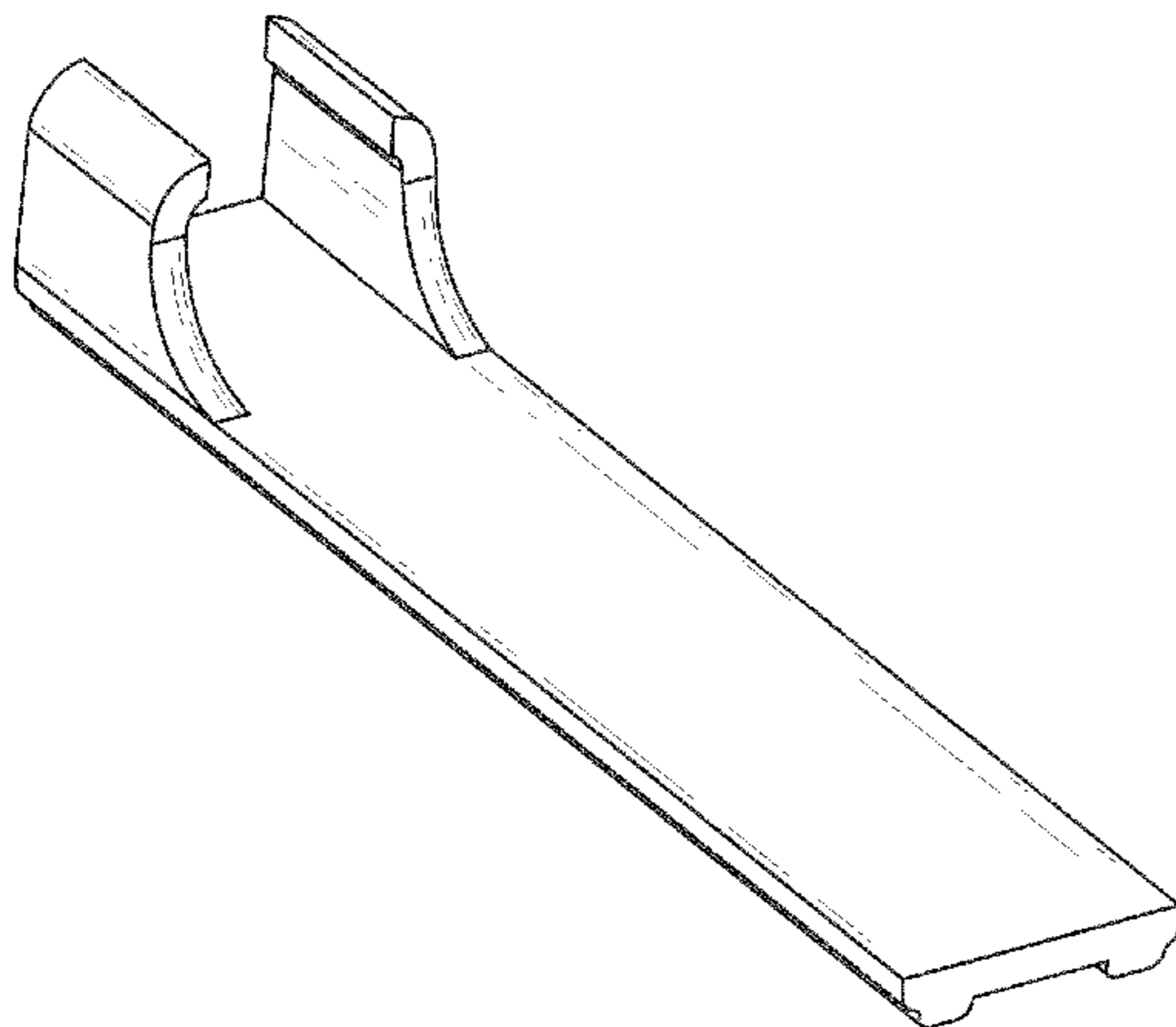
FIG. 1 is a top view.
FIG. 2 is a bottom view.
FIG. 3 is a view taken from the right of FIG. 1.
FIG. 4 is a view taken from the left of FIG. 1.
FIG. 5 is a front elevational view taken from FIG. 1.
FIG. 6 is a rear elevational view taken from FIG. 1.
FIG. 7 is a top isometric view taken from FIG. 1; and,
FIG. 8 is a bottom isometric view taken from FIG. 1.

(56) **References Cited**

U.S. PATENT DOCUMENTS

D428,103 S *	7/2000	Kiesler et al.	D22/109
2003/0140546 A1 *	7/2003	Kay	42/133
2010/0005697 A1 *	1/2010	Fluhr et al.	42/111

1 Claim, 3 Drawing Sheets



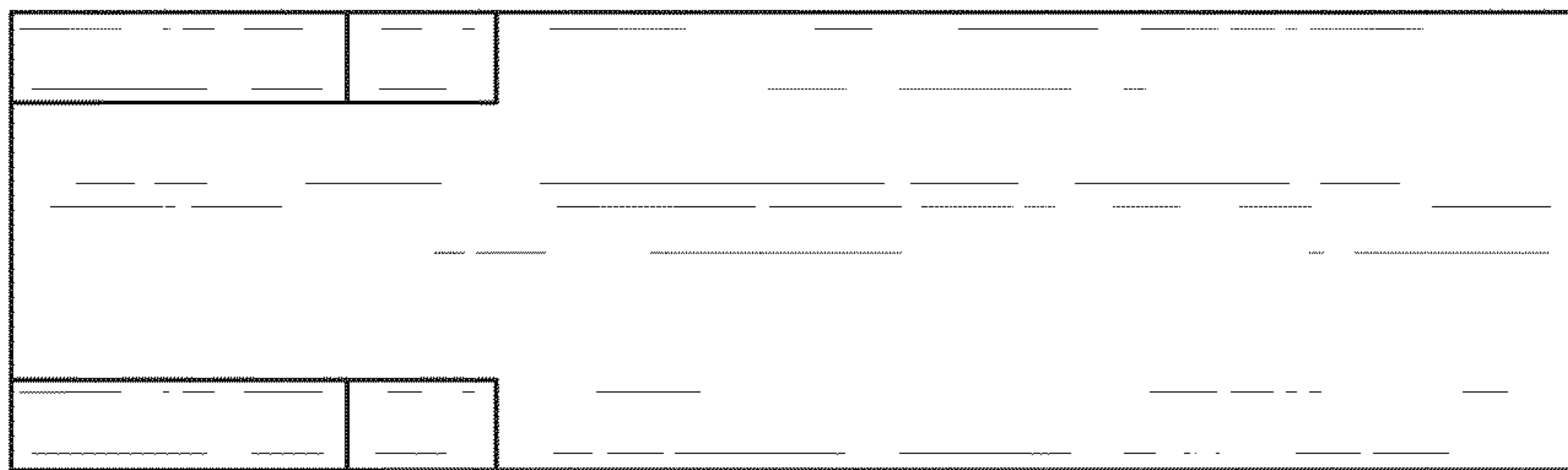


FIG. 1

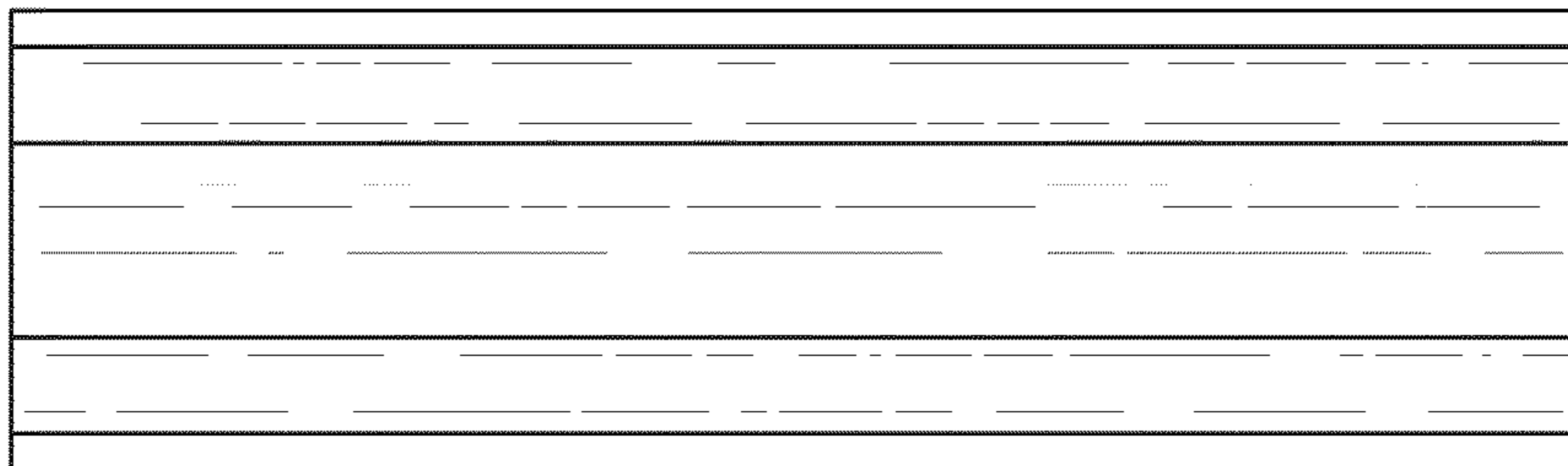


FIG. 2

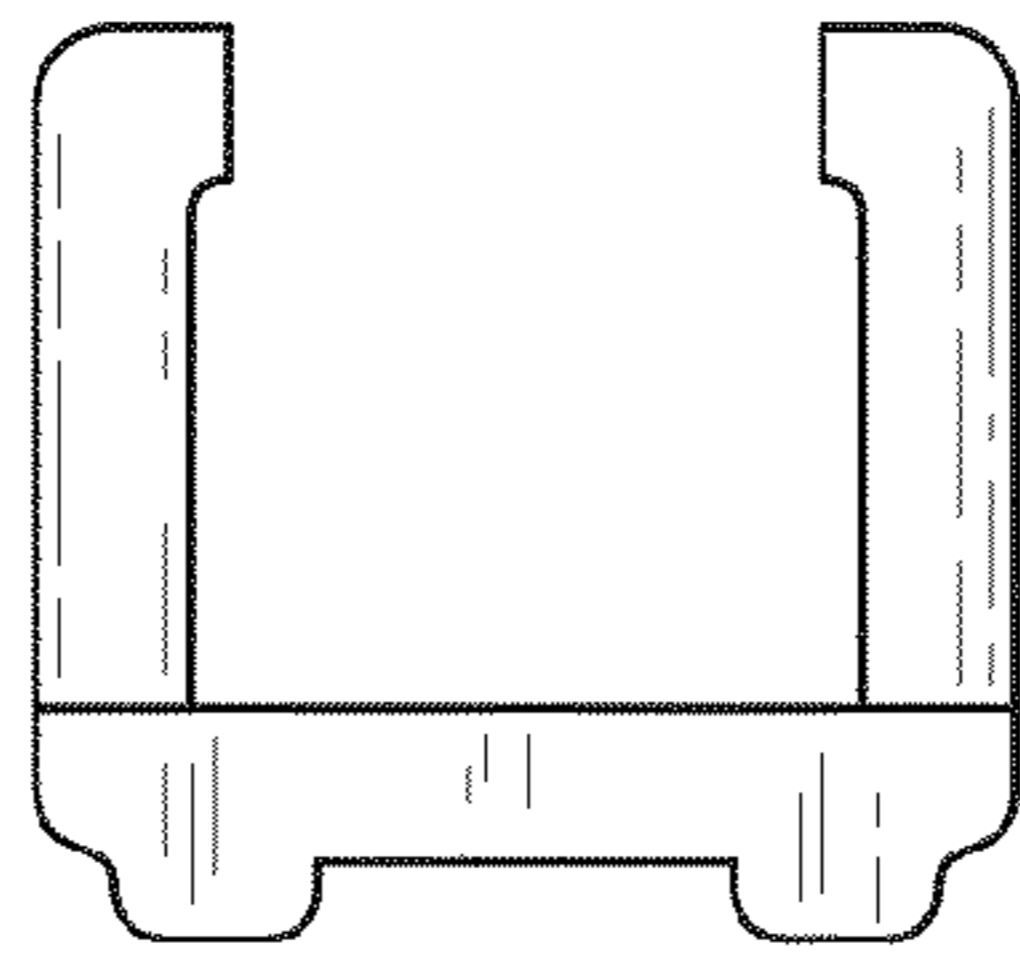


FIG. 3

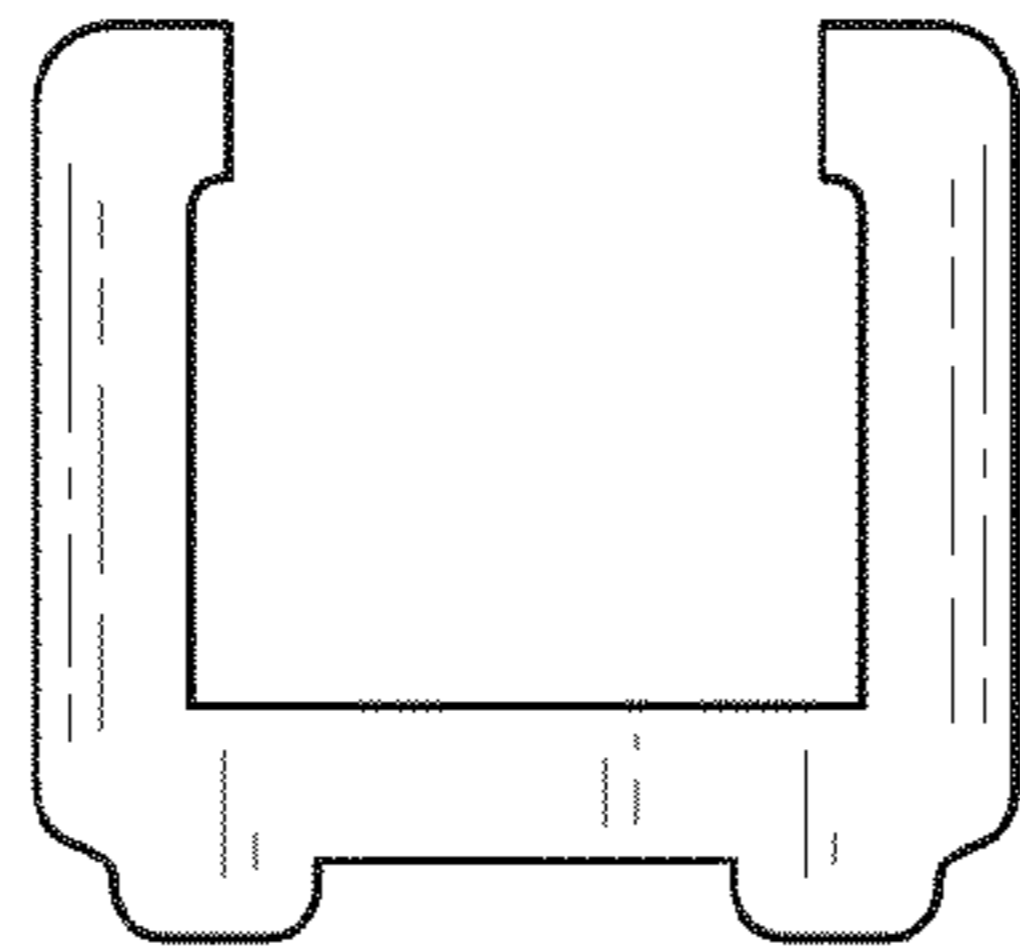


FIG. 4

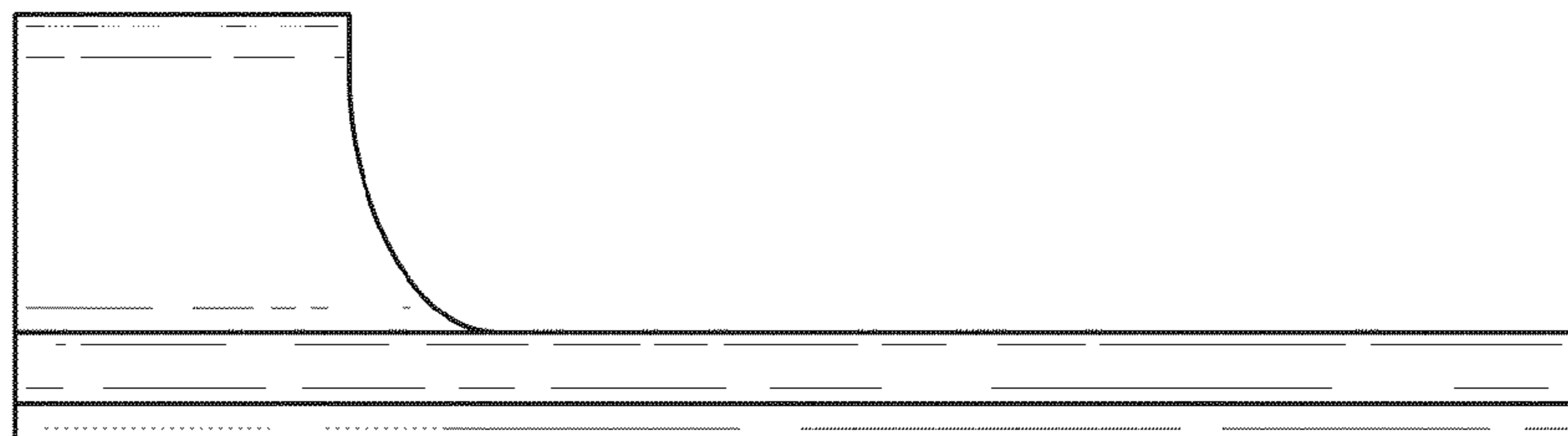


FIG. 5

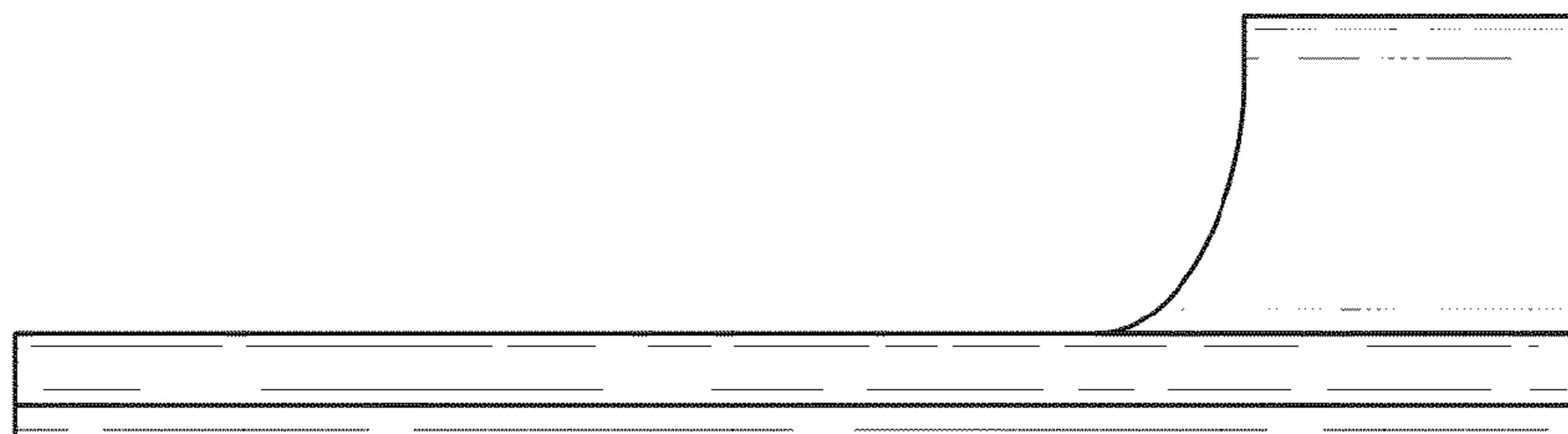


FIG. 6

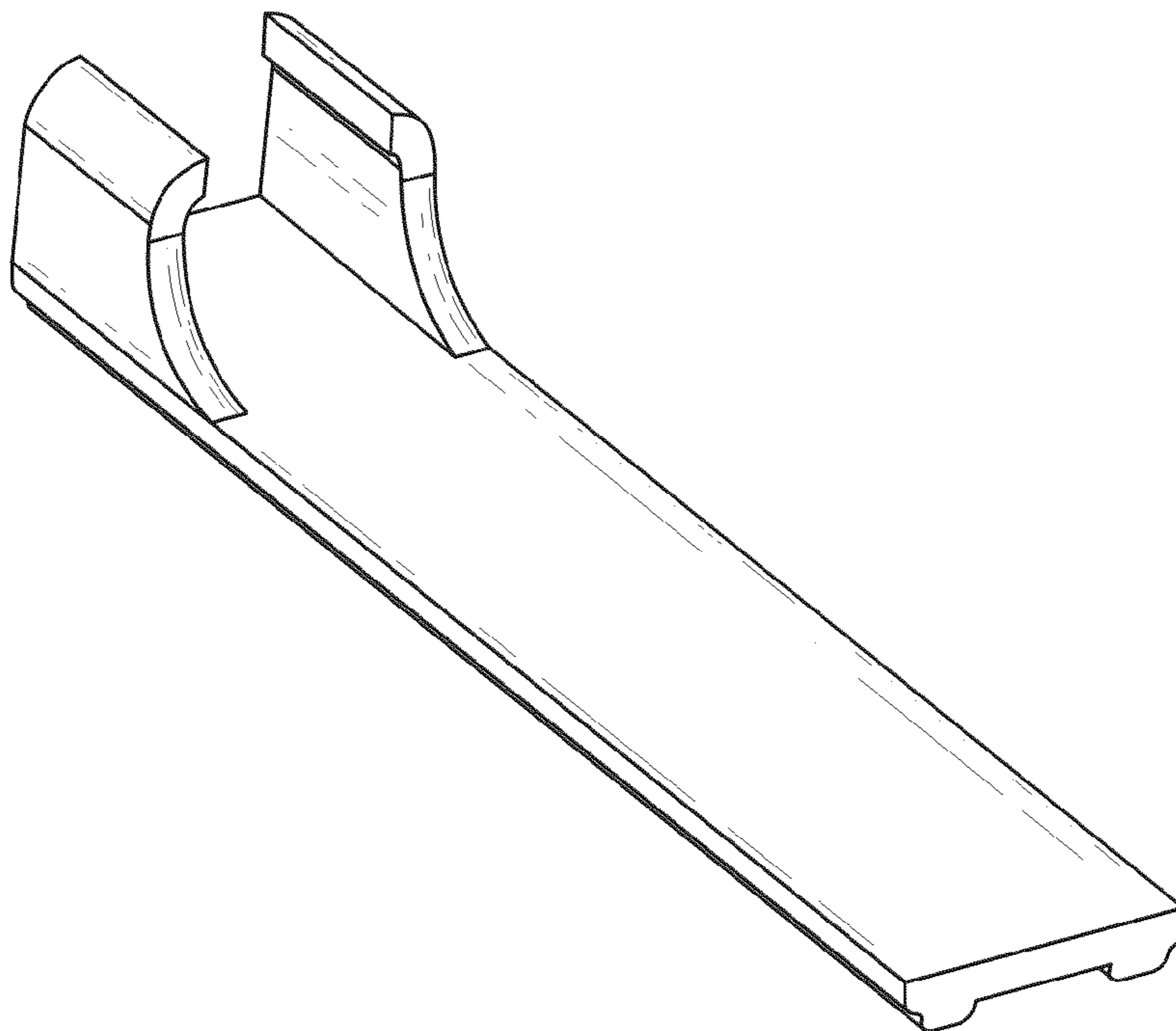


FIG. 7

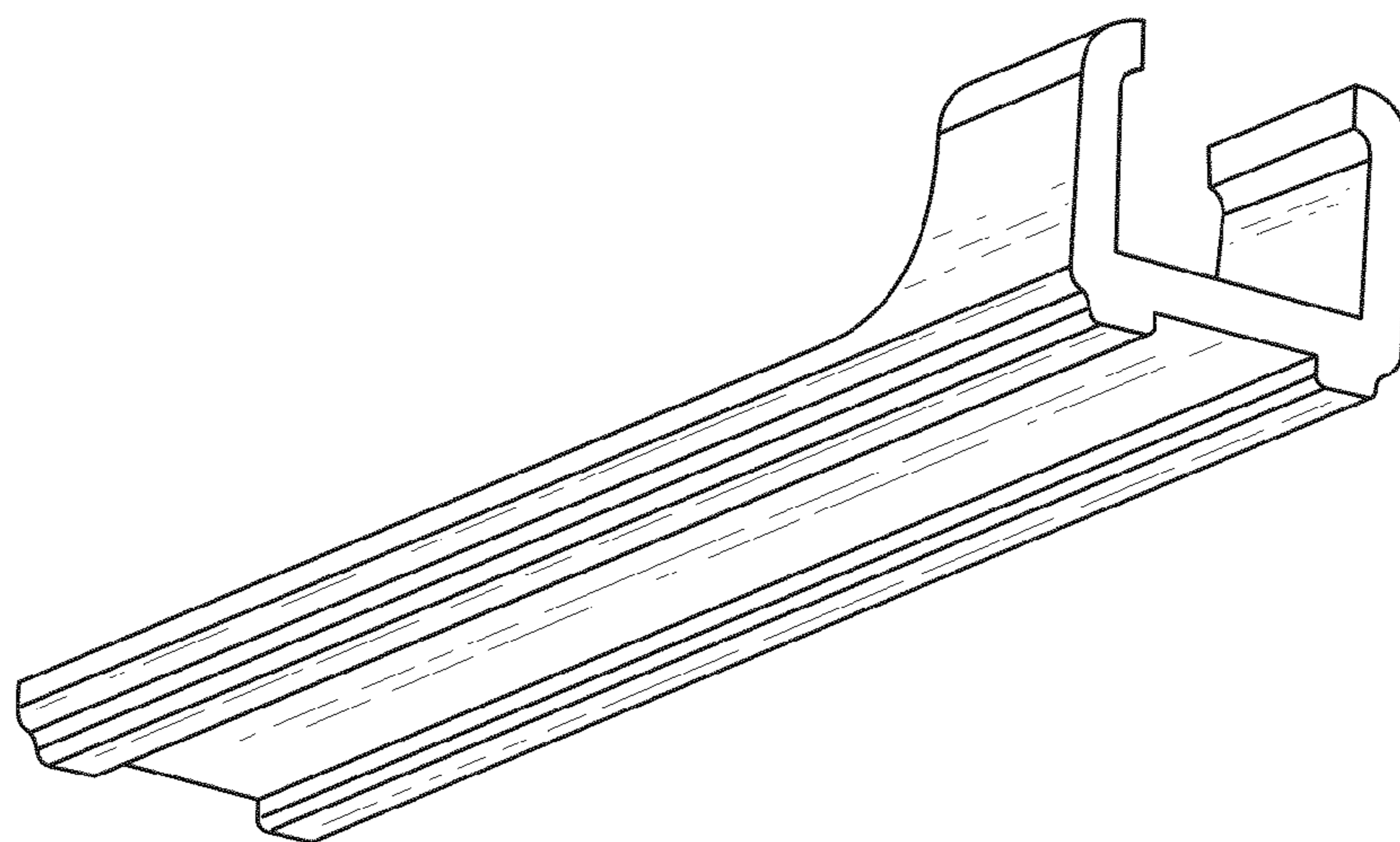


FIG. 8