



US00D642951S

(12) **United States Design Patent**
Campman

(10) **Patent No.:** **US D642,951 S**

(45) **Date of Patent:** **** Aug. 9, 2011**

(54) **WHISTLE WAND**

(75) Inventor: **James P. Campman**, Transfer, PA (US)

(73) Assignee: **Grace Industries, Inc.**, Fredonia, PA (US)

(**) Term: **14 Years**

(21) Appl. No.: **29/371,394**

(22) Filed: **Feb. 7, 2011**

(51) **LOC (9) Cl.** **10-05**

(52) **U.S. Cl.** **D10/119.3**

(58) **Field of Classification Search** D10/116,
D10/119, 120, 104; 446/402, 204–206, 207,
446/193; 116/152, 159, 166; 370/469;
D3/203.1–203.4; D26/45–46, 48–50; D24/151
See application file for complete search history.

(56) **References Cited**

U.S. PATENT DOCUMENTS

255,250	A *	3/1882	Bulger	446/204
2,512,313	A *	6/1950	Dritz	446/204
D191,564	S *	10/1961	Mullin et al.	D24/151
4,799,913	A *	1/1989	Wolfe	446/193
D455,511	S *	4/2002	Chang	D26/46
D574,741	S *	8/2008	Gadsden	D10/114

* cited by examiner

Primary Examiner — Caron D Veynar

Assistant Examiner — George D Kirschbaum

(74) *Attorney, Agent, or Firm* — Daniel K. Dorsey

(57) **CLAIM**

The ornamental design for a whistle wand, as shown and described.

DESCRIPTION

FIG. 1 is a front perspective view of a whistle wand embodying my design;

FIG. 2 is a rear perspective view of the whistle wand as shown in FIG. 1;

FIG. 3 is a top elevational view of the whistle wand as shown in FIG. 1;

FIG. 4 is a bottom elevational view of the whistle wand as shown in FIG. 1;

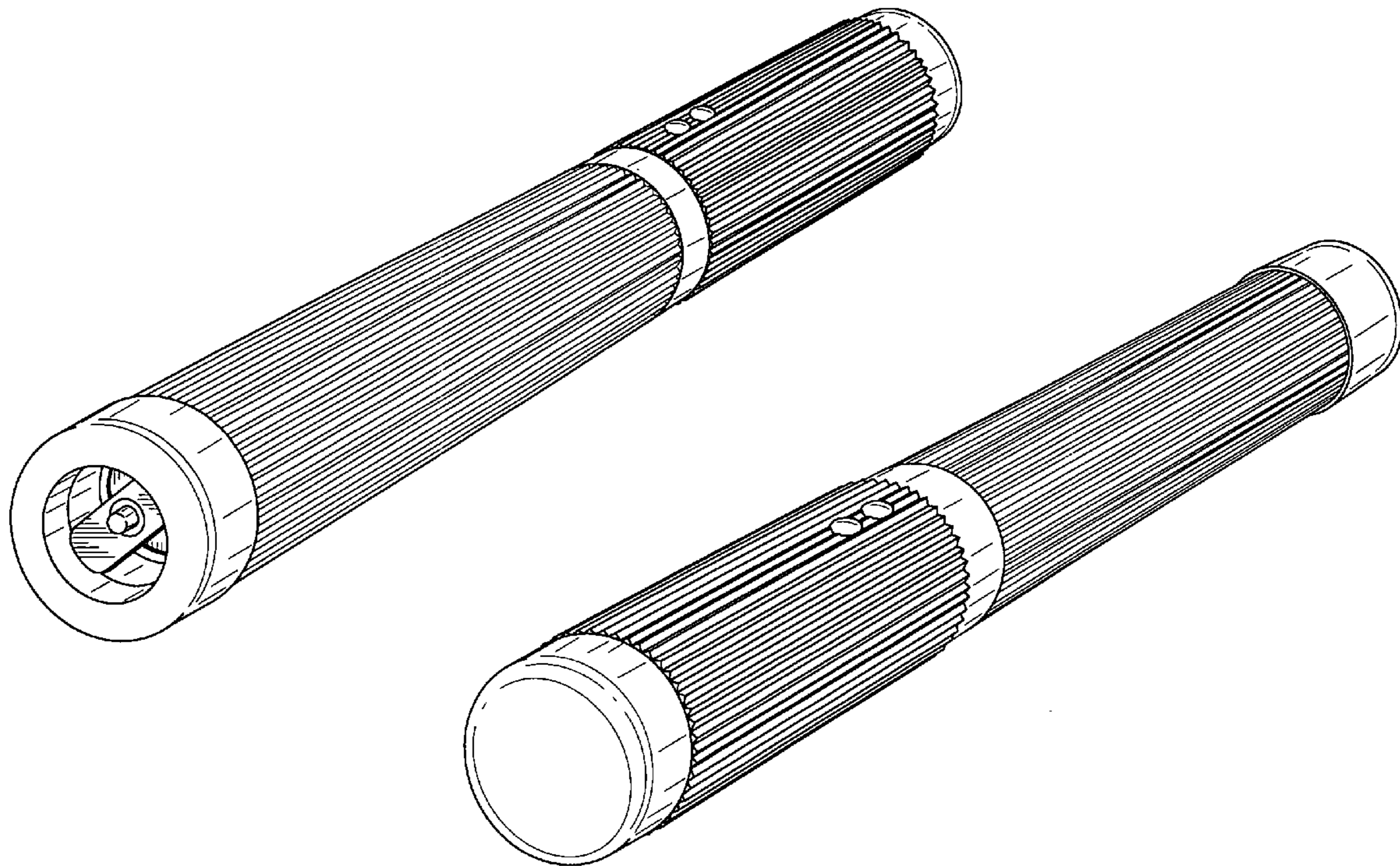
FIG. 5 is a front plan view of the whistle wand as shown in FIG. 1;

FIG. 6 is a rear plan view of the whistle wand as shown in FIG. 1;

FIG. 7 is a front perspective view of a second embodiment of the whistle wand as shown in FIG. 1; and,

FIG. 8 is a front plan view of the second embodiment of the whistle wand as shown in FIG. 1.

1 Claim, 3 Drawing Sheets



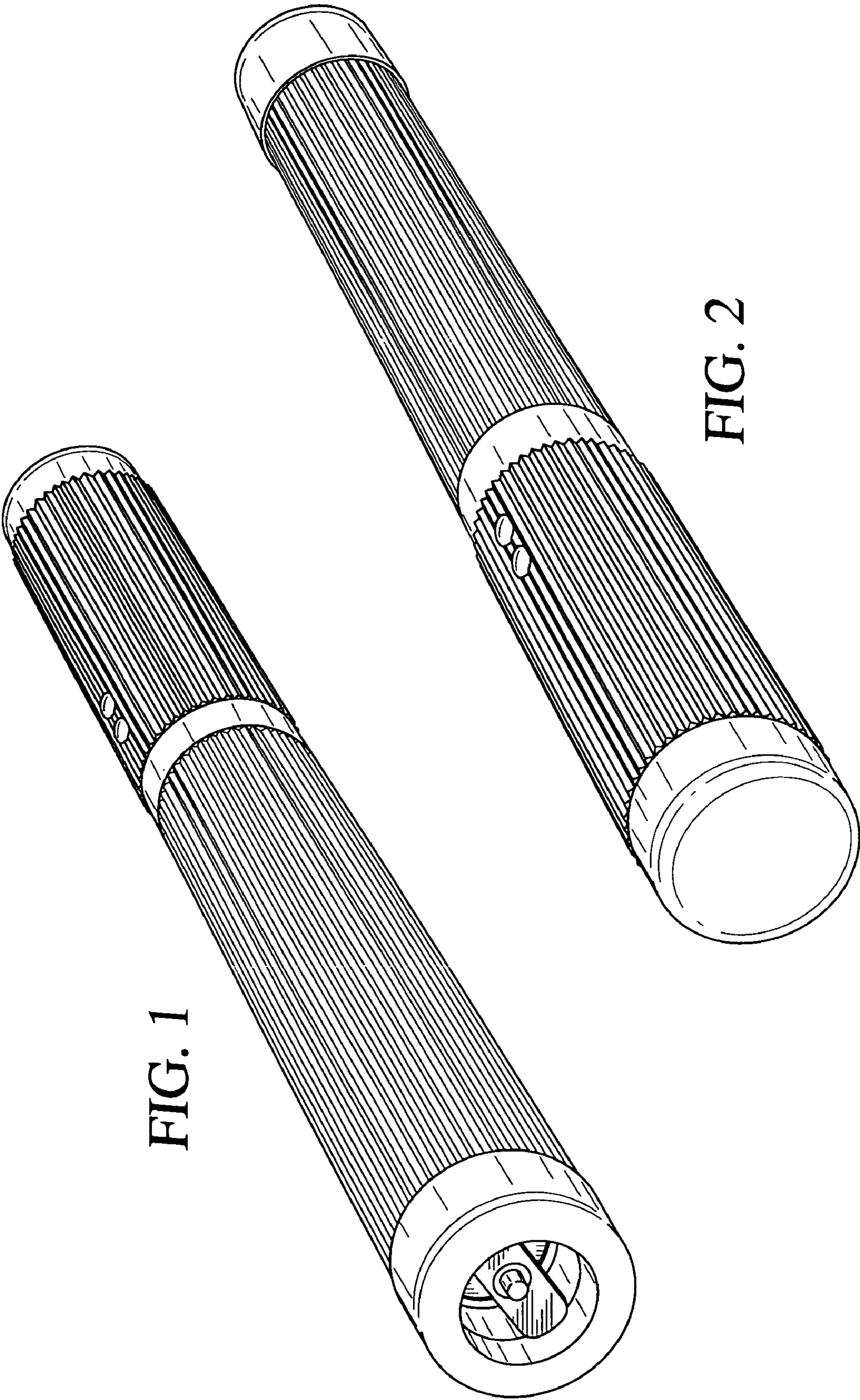


FIG. 1

FIG. 2

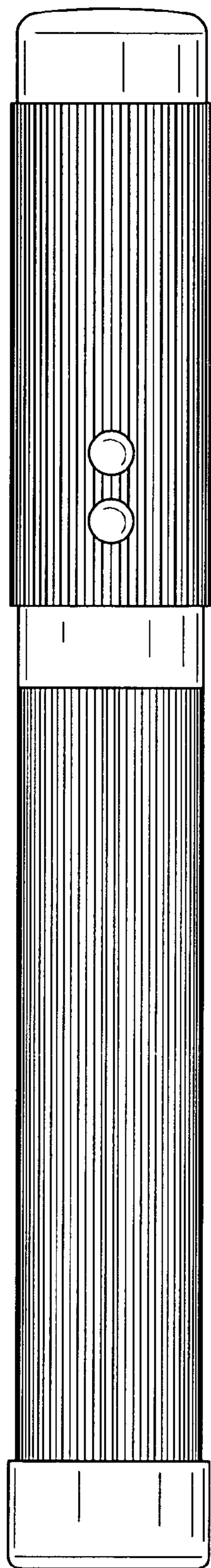


FIG. 3

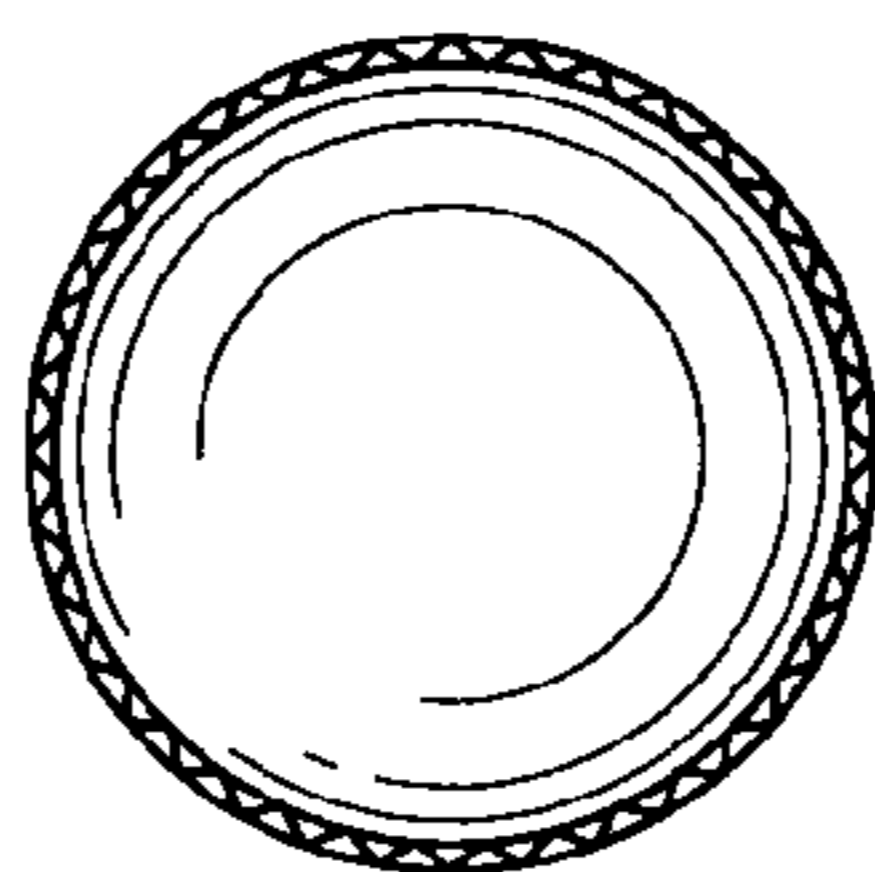


FIG. 6

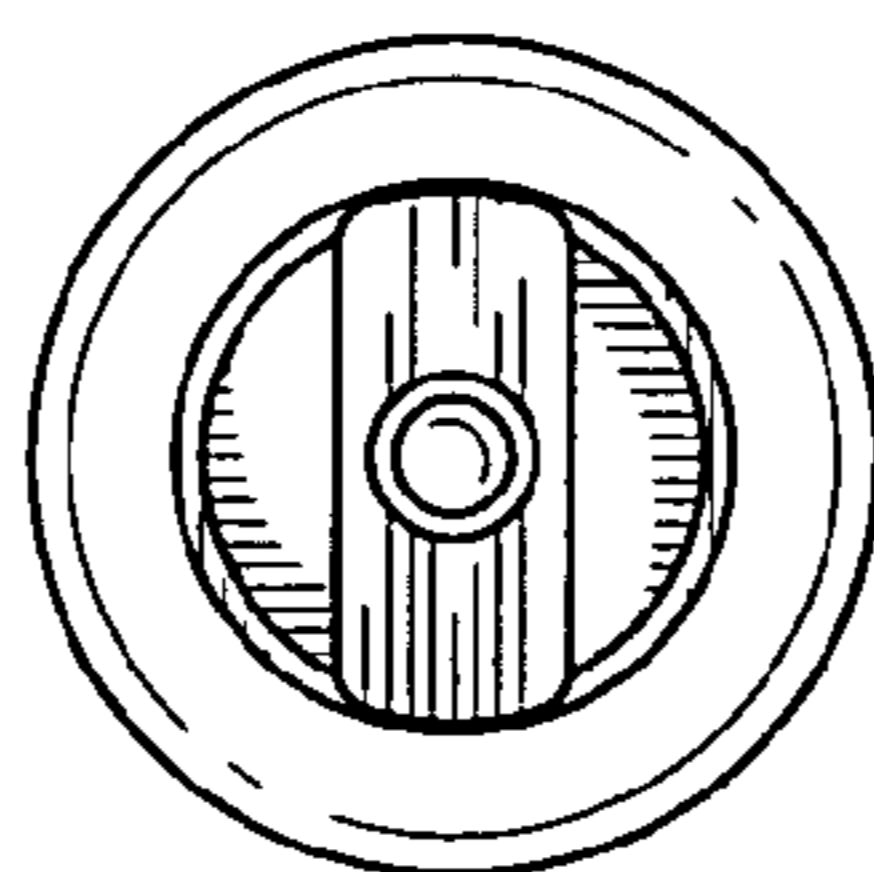


FIG. 5

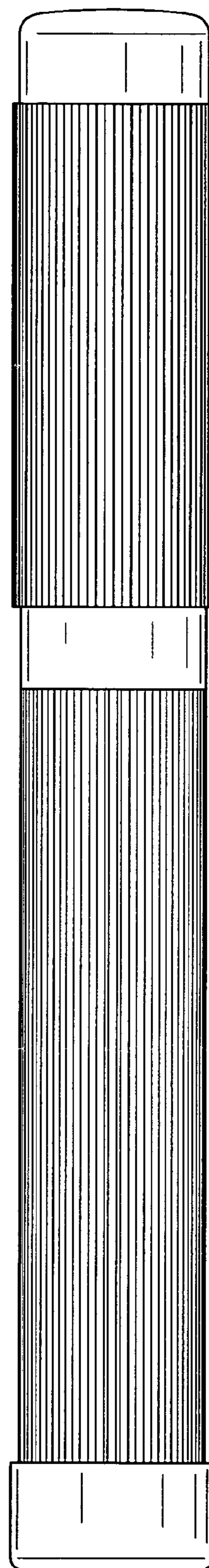


FIG. 4

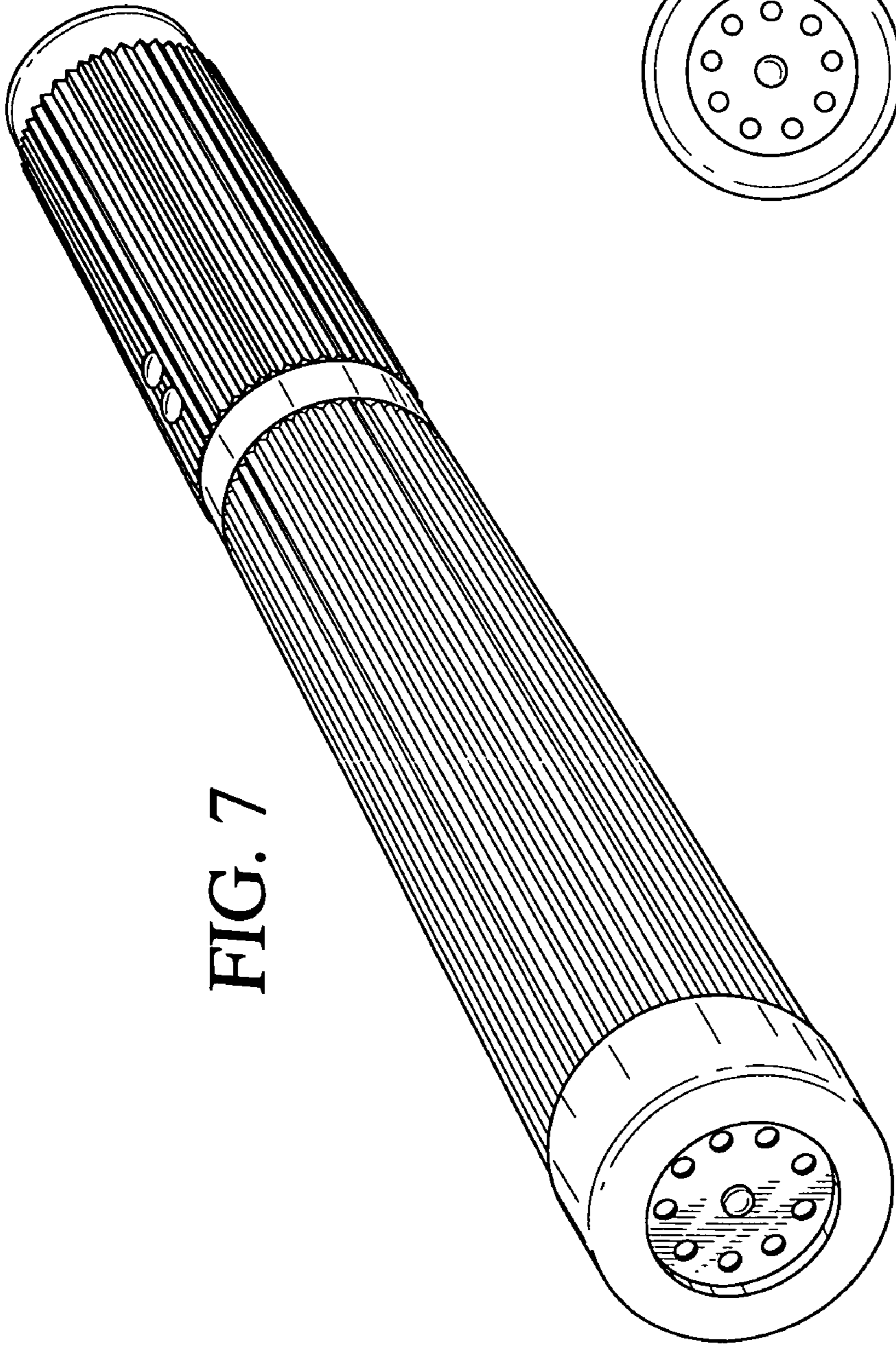


FIG. 7

FIG. 8