



US00D642950S

(12) **United States Design Patent**
Barden

(10) **Patent No.:** **US D642,950 S**

(45) **Date of Patent:** **** Aug. 9, 2011**

(54) **WATERFOWL CALL INSERT**

(76) Inventor: **Donald P. Barden**, Marion, IL (US)

(**) Term: **14 Years**

(21) Appl. No.: **29/383,338**

(22) Filed: **Jan. 14, 2011**

(51) **LOC (9) Cl.** **10-05**

(52) **U.S. Cl.** **D10/119.1**

(58) **Field of Classification Search** D10/116,
D10/119, 120, 104; 446/402, 204–206, 207;
116/152, 159, 166; 370/469; D3/203.1–203.4;
D26/45–46, 48–50; 119/707; 172/371
See application file for complete search history.

(56) **References Cited**

U.S. PATENT DOCUMENTS

6,435,933	B1 *	8/2002	Browne	446/207
D497,564	S *	10/2004	Primos et al.	D10/119
D498,165	S *	11/2004	Primos et al.	D10/119
D502,119	S *	2/2005	Primos et al.	D10/119
2003/0127236	A1 *	7/2003	Wherry	172/371

* cited by examiner

Primary Examiner — Caron D Veynar

Assistant Examiner — George D Kirschbaum

(74) *Attorney, Agent, or Firm* — QuickPatents, Inc.; Kevin Prince

(57) **CLAIM**

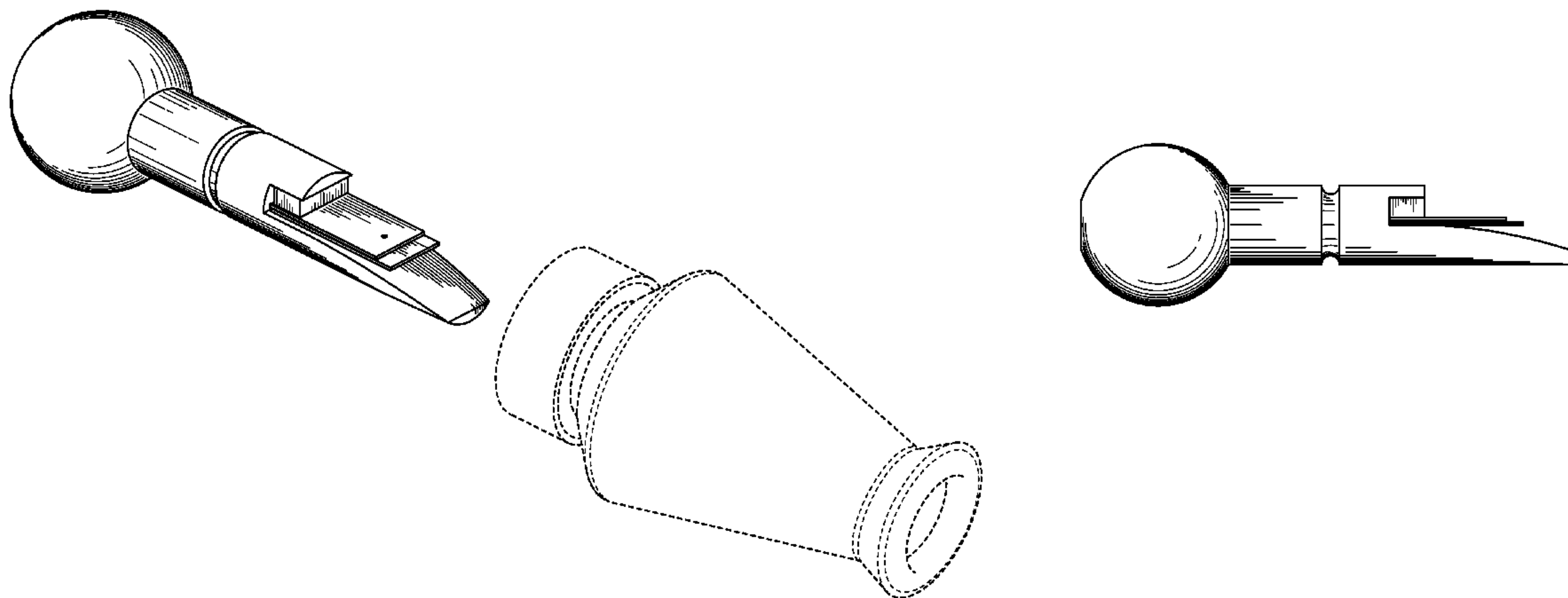
I claim the ornamental design for a waterfowl call insert, as shown and described.

DESCRIPTION

FIG. 1 is a perspective view of a waterfowl call insert, showing an opaque embodiment of the new design;
 FIG. 2 is a right-side elevational view thereof;
 FIG. 3 is a left-side elevational view thereof;
 FIG. 4 is a rear elevational view thereof;
 FIG. 5 is a front elevational view thereof;
 FIG. 6 is a top plan view thereof;
 FIG. 7 is a bottom plan view thereof;
 FIG. 8 is a perspective view of a transparent embodiment thereof;
 FIG. 9 is a right-side elevational view of FIG. 8;
 FIG. 10 is a left-side elevational view of FIG. 8;
 FIG. 11 is a rear elevational view of FIG. 8;
 FIG. 12 is a front elevational view of FIG. 8;
 FIG. 13 is a top plan view of FIG. 8; and,
 FIG. 14 is a bottom plan view of FIG. 8.

The broken lines showing a mouthpiece in FIG. 1 depict environmental matter and form no part of the claimed design.

1 Claim, 4 Drawing Sheets



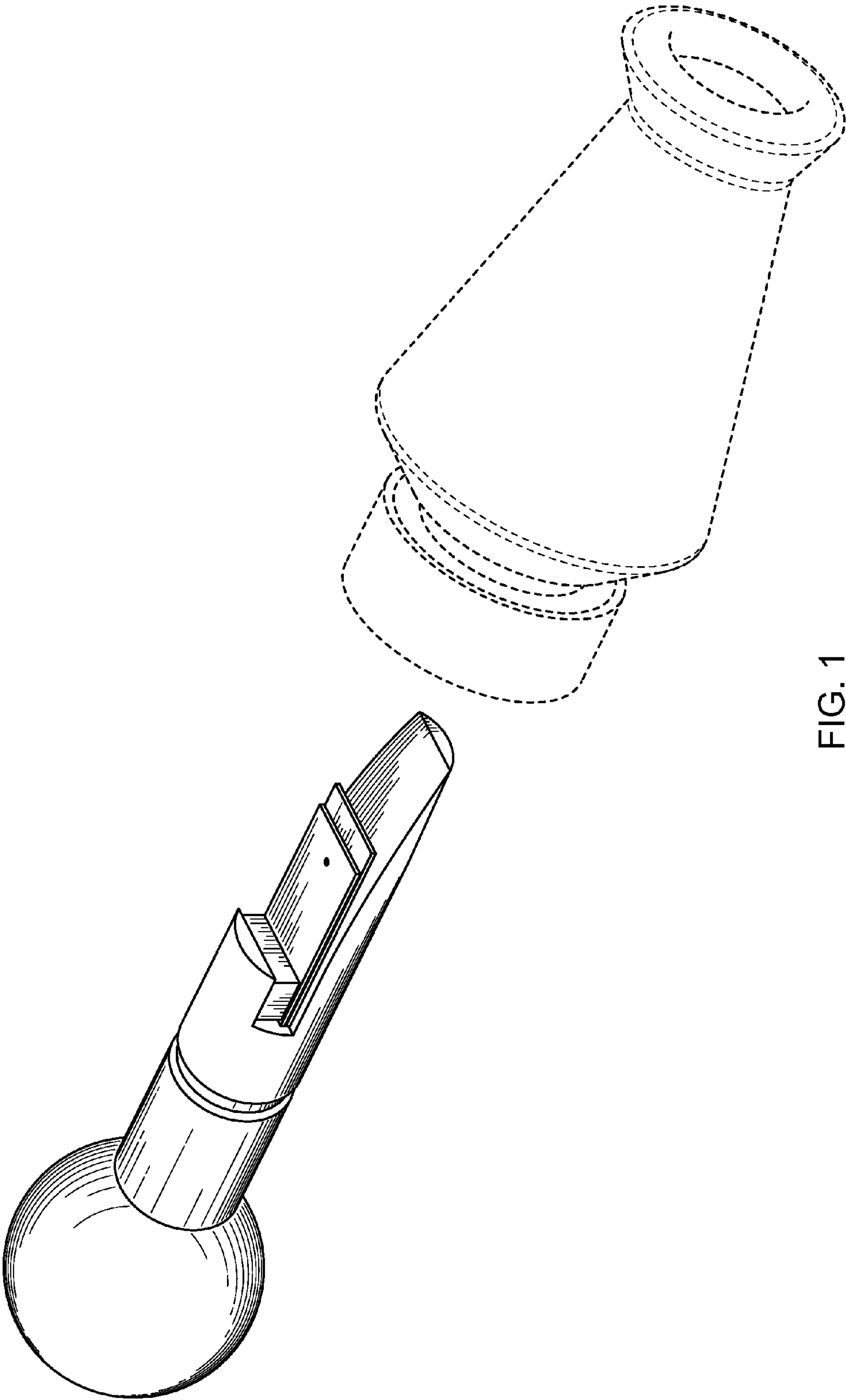


FIG. 1

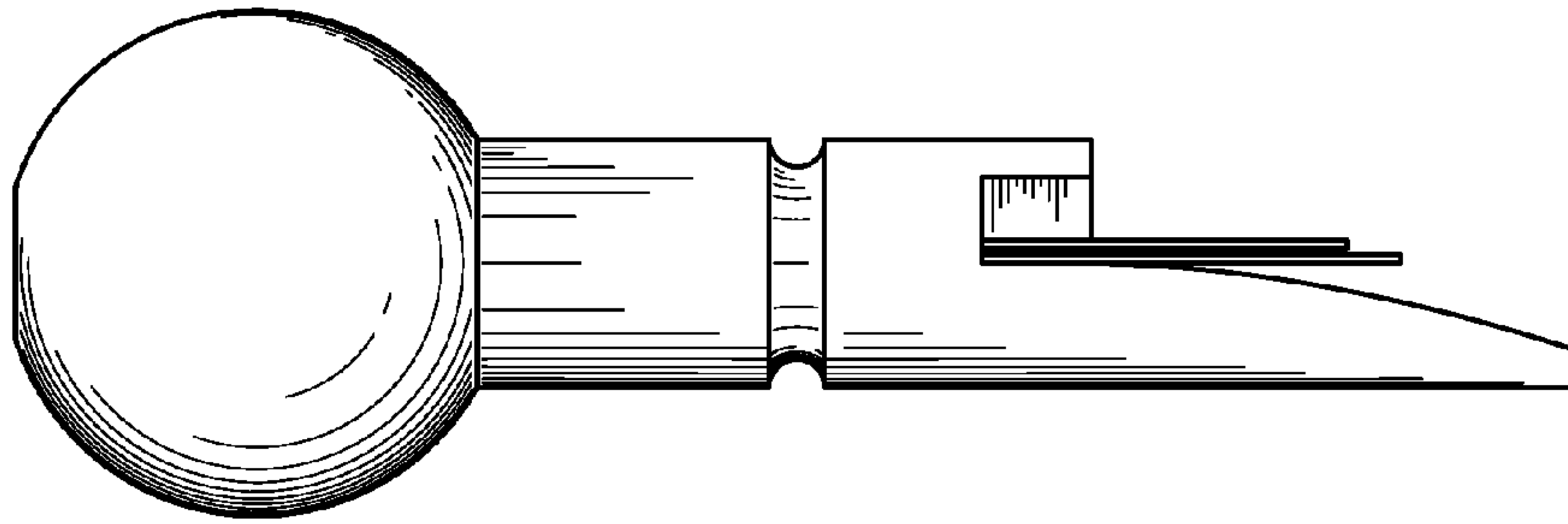


FIG. 2

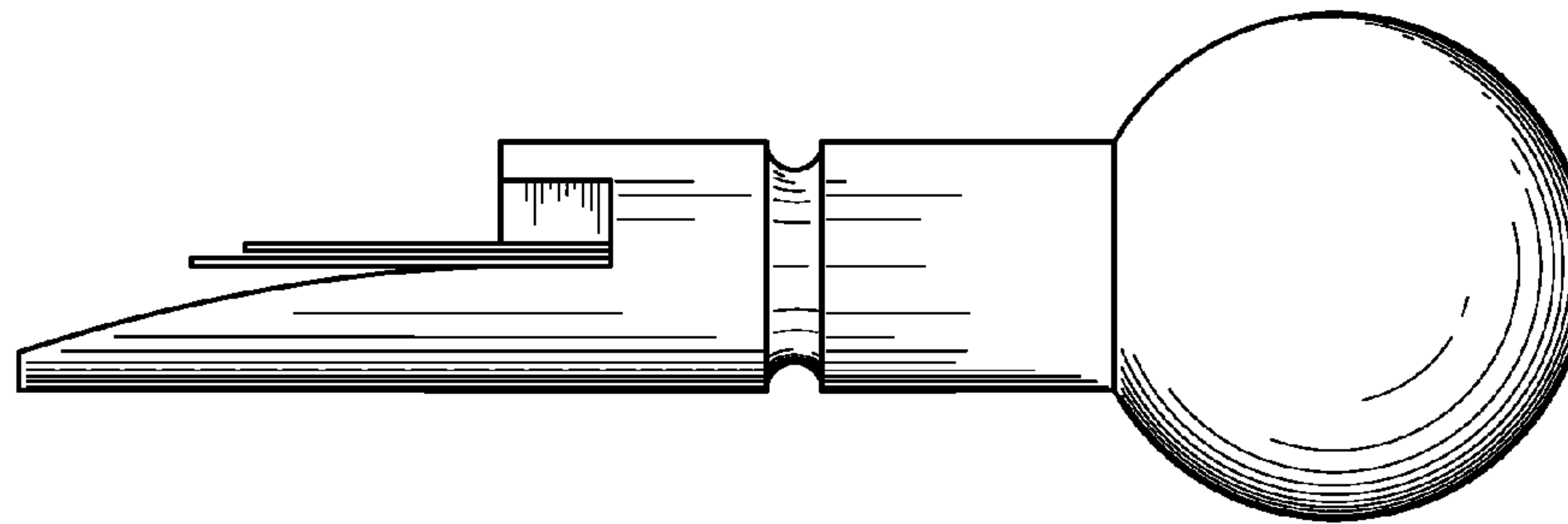


FIG. 3

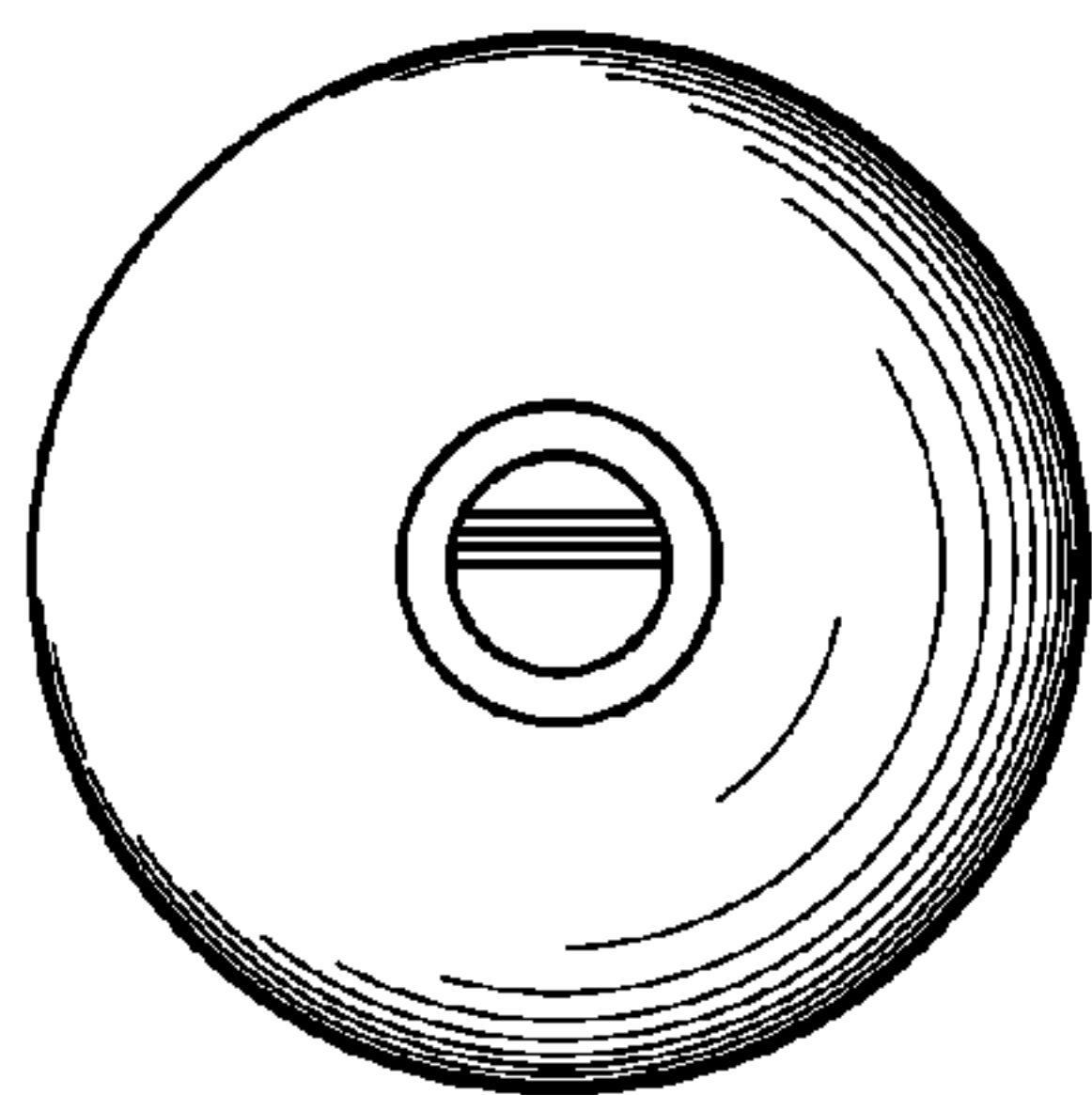


FIG. 4

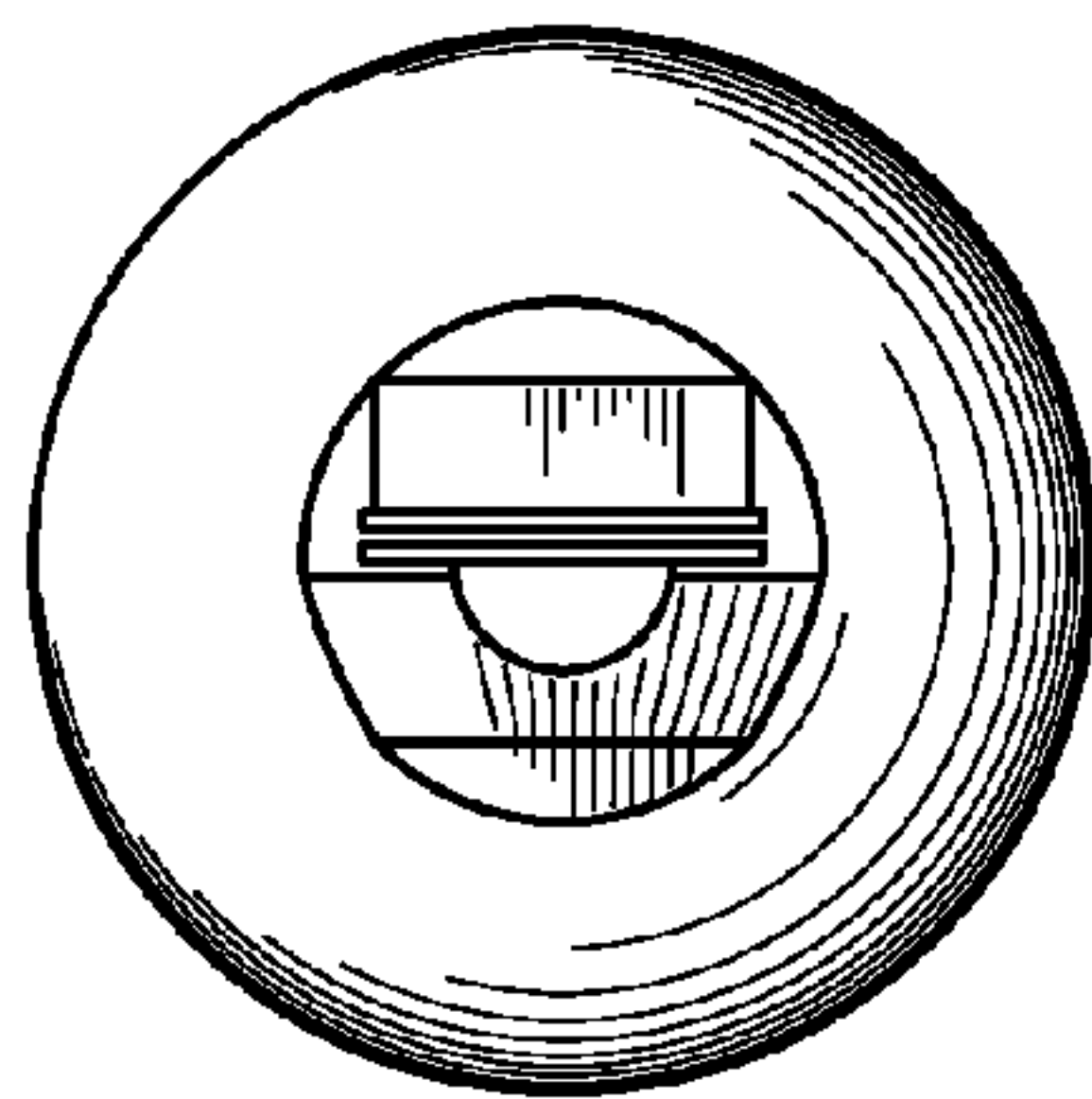


FIG. 5

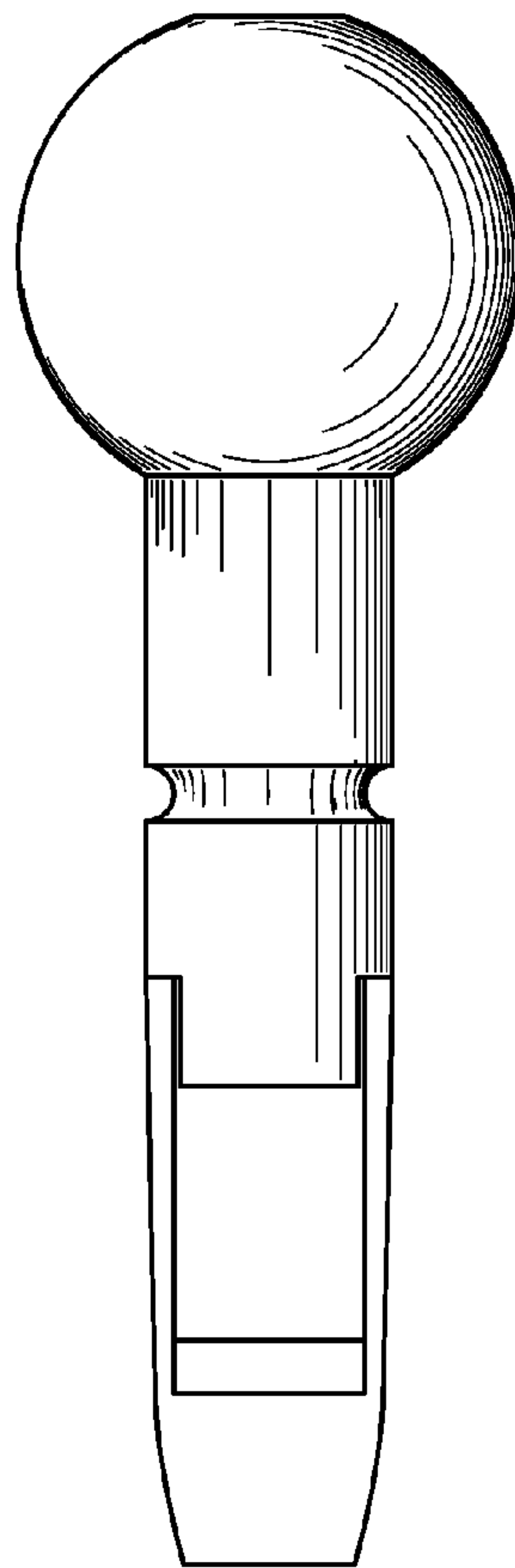


FIG. 6

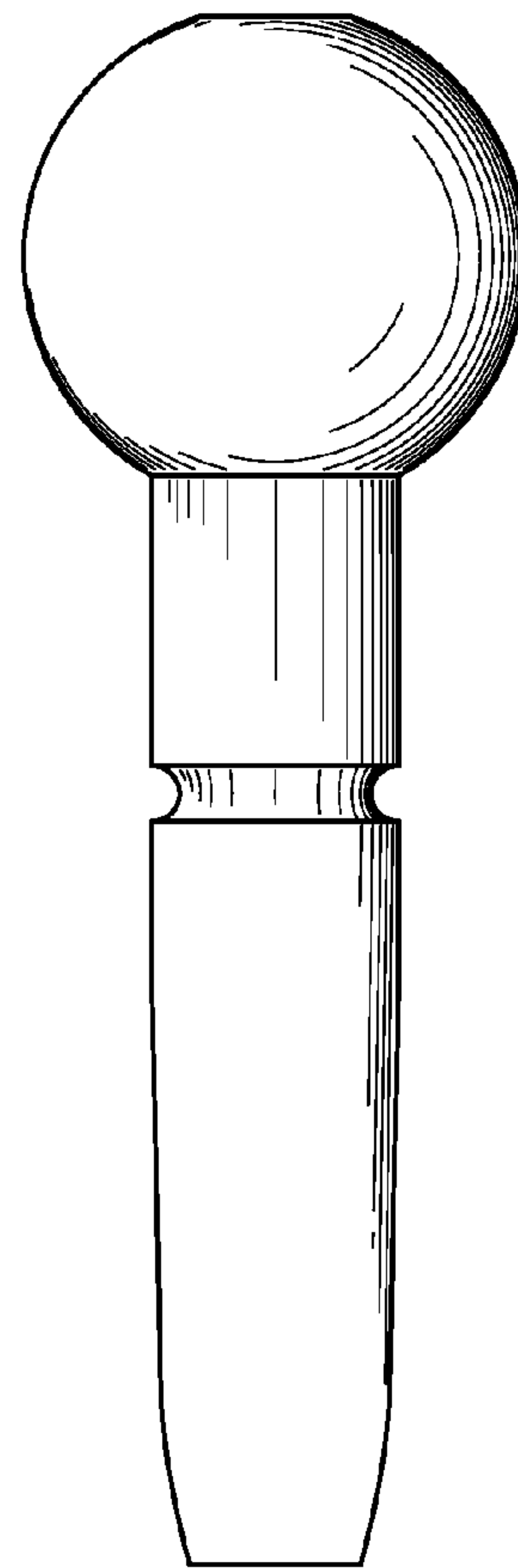


FIG. 7

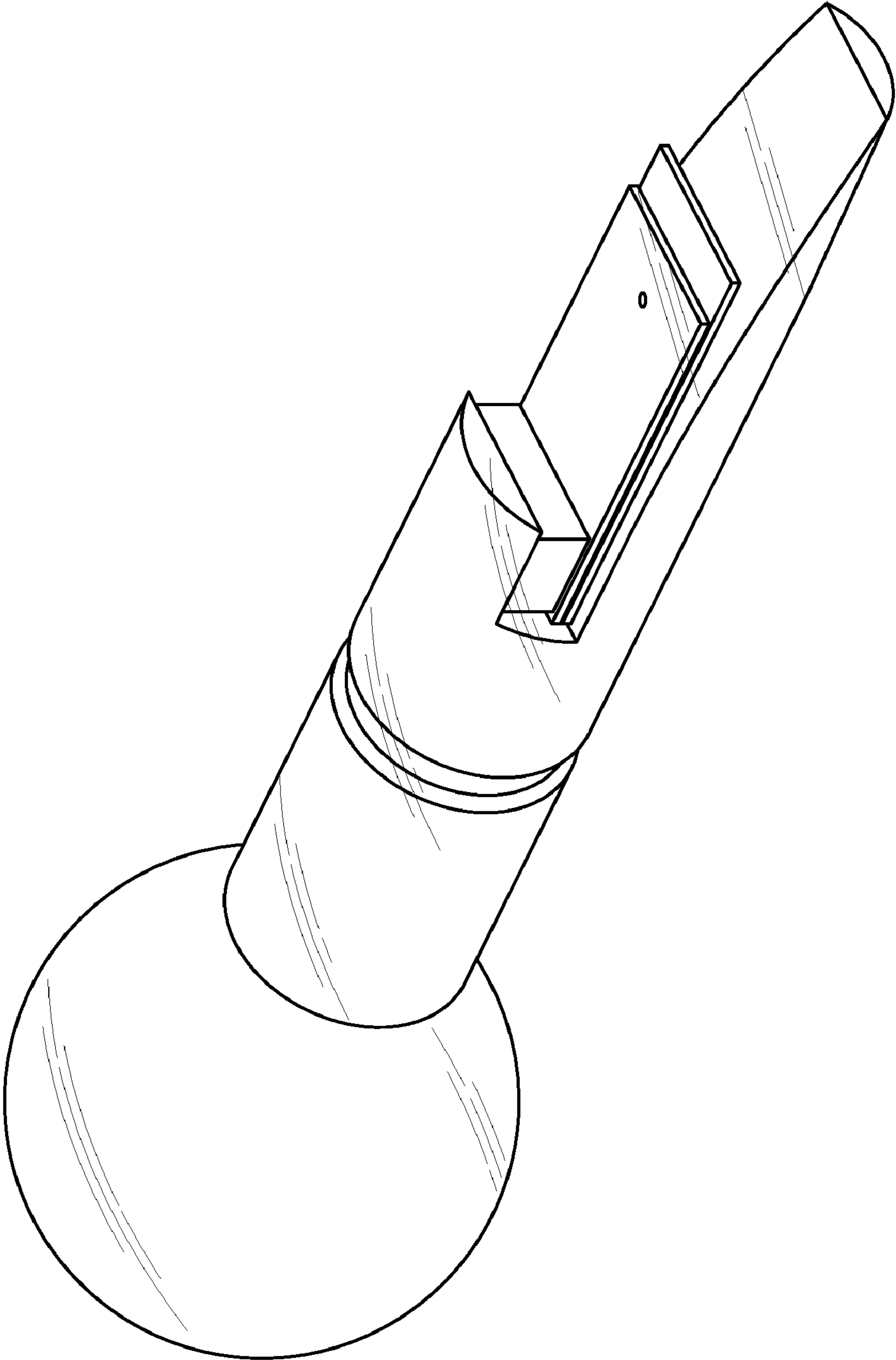


FIG. 8

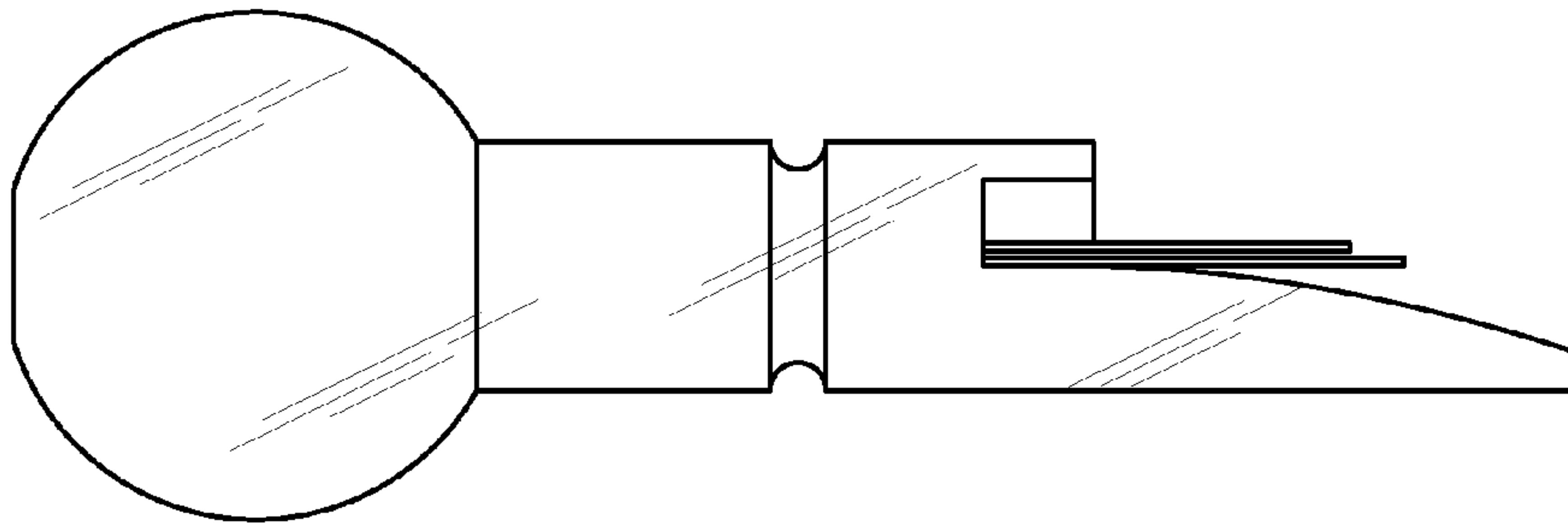


FIG. 9

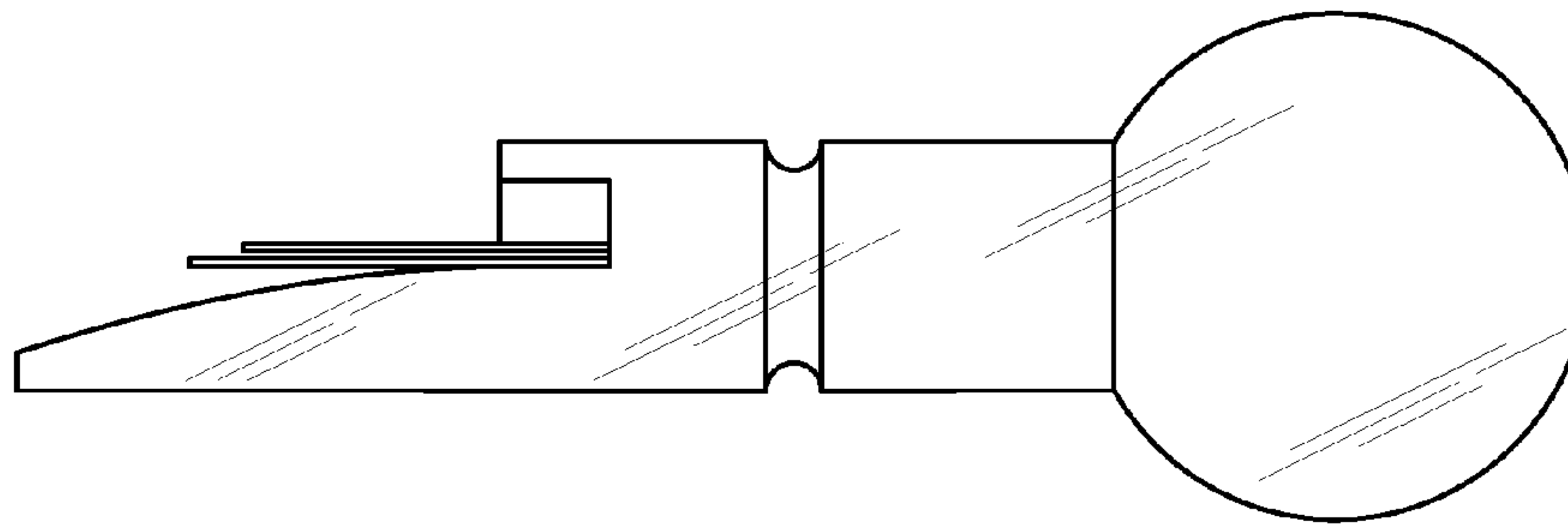


FIG. 10

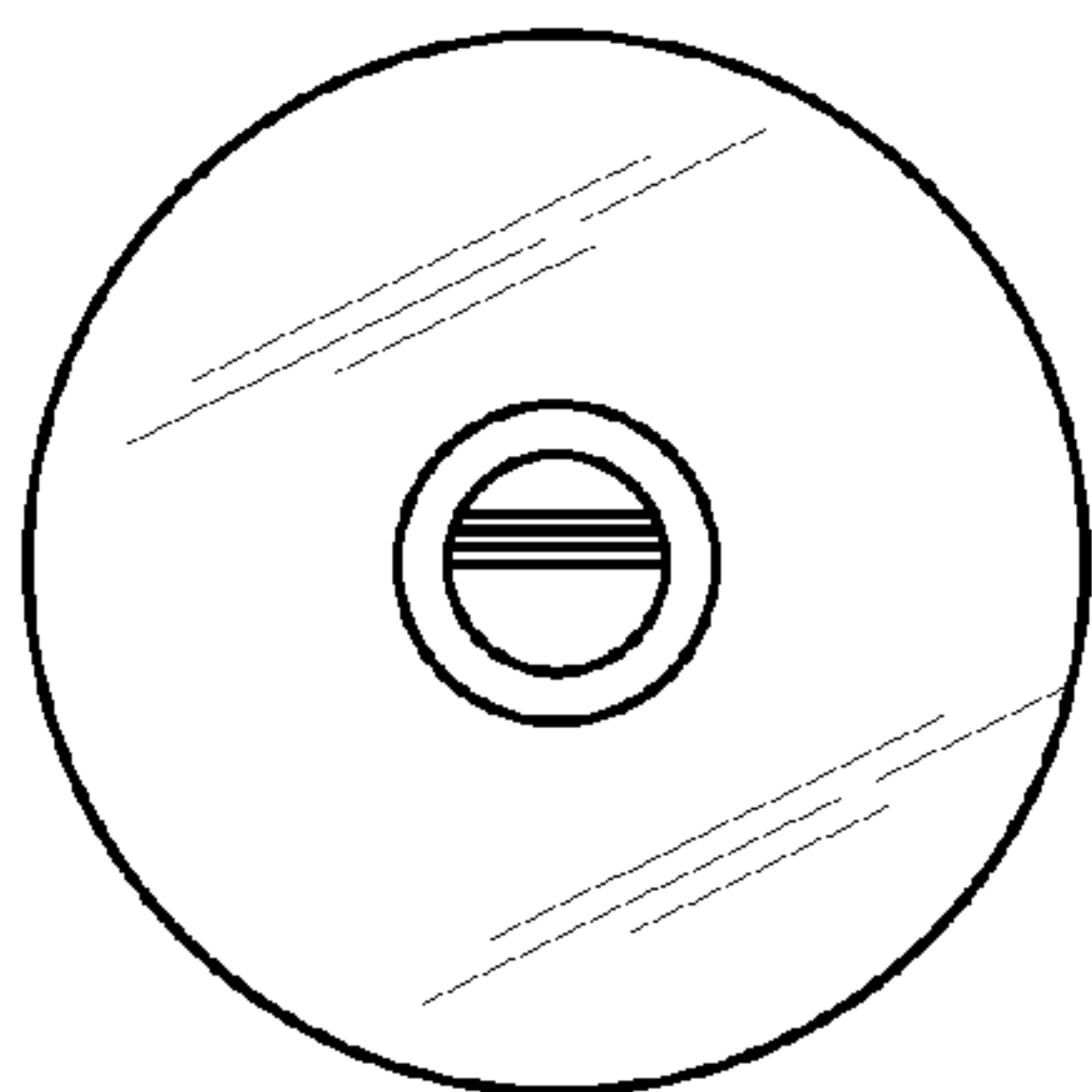


FIG. 11

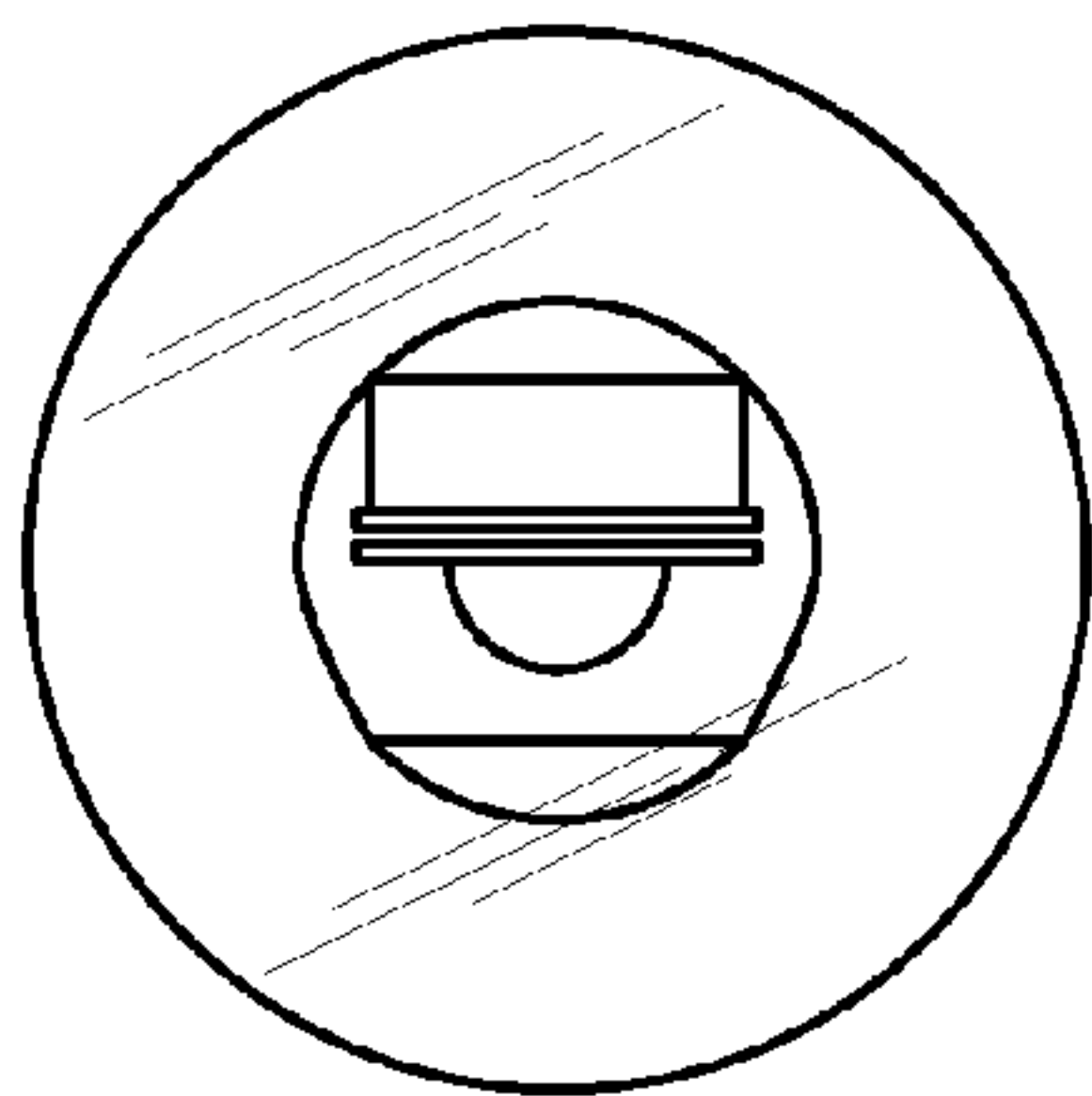


FIG. 12

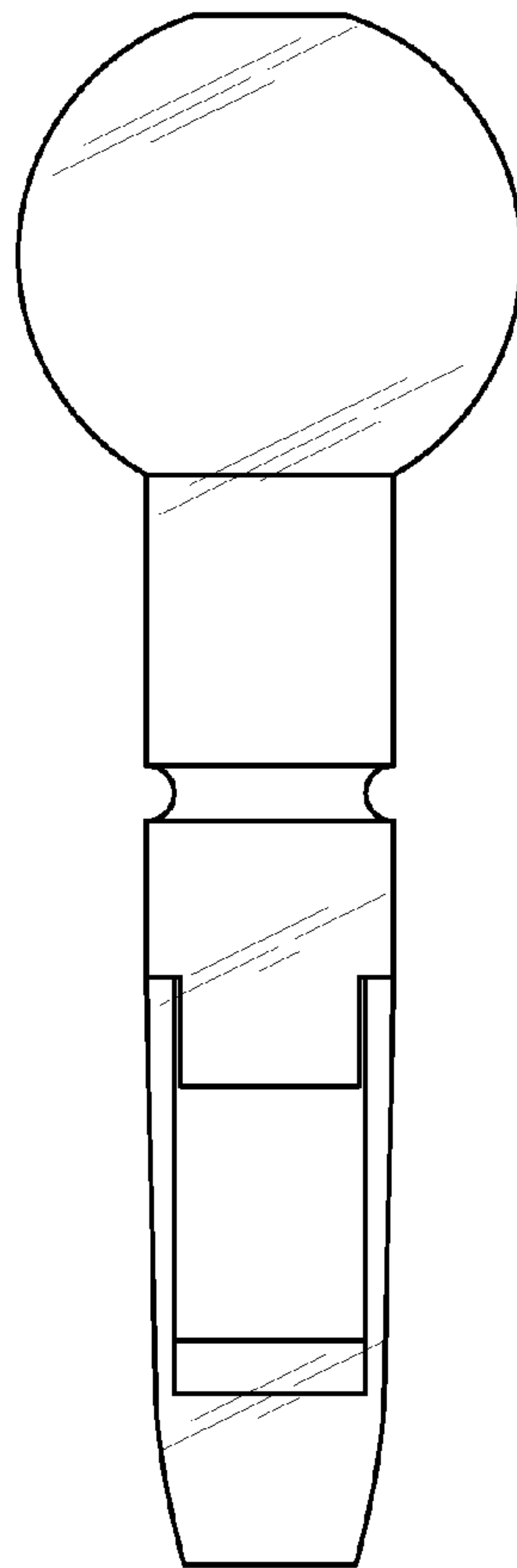


FIG. 13

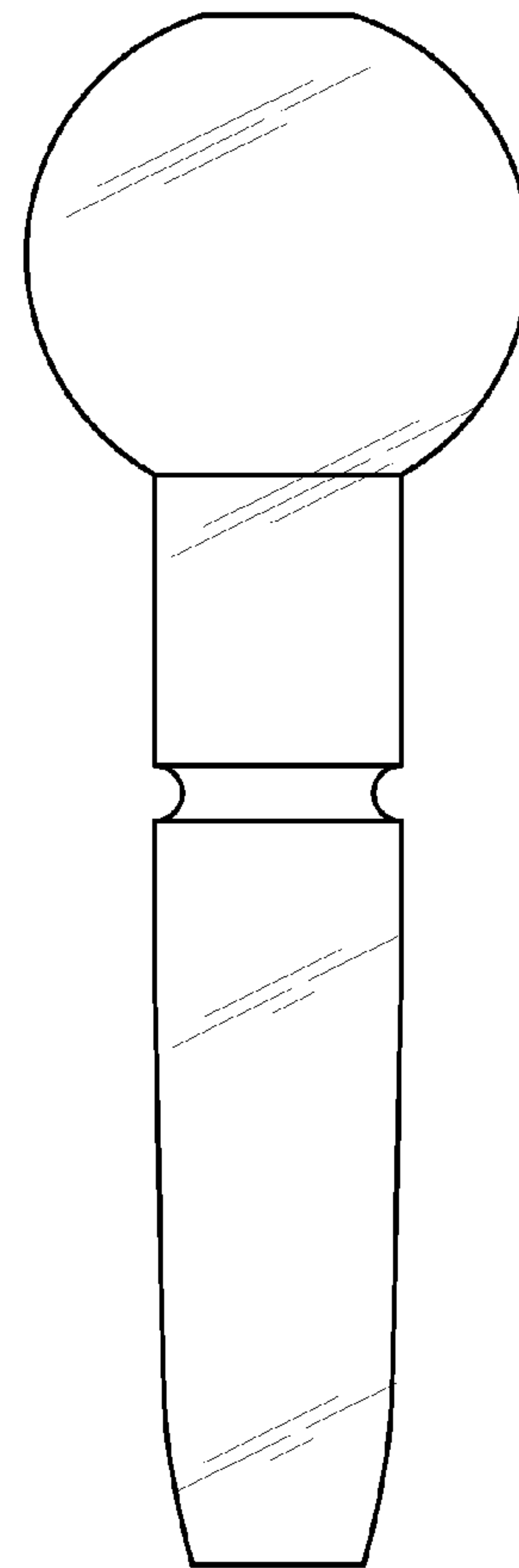


FIG. 14