



US00D642947S

(12) **United States Design Patent**  
**Chung**

(10) **Patent No.:** **US D642,947 S**

(45) **Date of Patent:** **\*\* Aug. 9, 2011**

(54) **LIGHTNING ROD**

(75) Inventor: **Young-Ki Chung**, Seoul (KR)

(73) Assignee: **Omni LPS. Co., Ltd.** (KR)

(\*\*) Term: **14 Years**

(21) Appl. No.: **29/379,619**

(22) Filed: **Nov. 22, 2010**

(30) **Foreign Application Priority Data**

Oct. 5, 2010 (KR) ..... 30-2010-0043246

(51) **LOC (9) Cl.** ..... **10-05**

(52) **U.S. Cl.** ..... **D10/105**

(58) **Field of Classification Search** ..... D10/105;  
D20/124; 174/3, 33; 361/220

See application file for complete search history.

(56) **References Cited**

**U.S. PATENT DOCUMENTS**

492,512 A \* 2/1893 Domack ..... 428/28  
D56,715 S \* 11/1920 Thompson ..... D10/121

D428,537 S \* 7/2000 Miller ..... D30/124  
D497,116 S \* 10/2004 Chung ..... D10/105  
D558,625 S \* 1/2008 Chung ..... D10/105  
D567,689 S \* 4/2008 Chung ..... D10/105  
2004/0238193 A1 \* 12/2004 Panico et al. .... 174/3

\* cited by examiner

*Primary Examiner* — Caron D Veynar

*Assistant Examiner* — George D Kirschbaum

(74) *Attorney, Agent, or Firm* — Ballard Spahr LLP

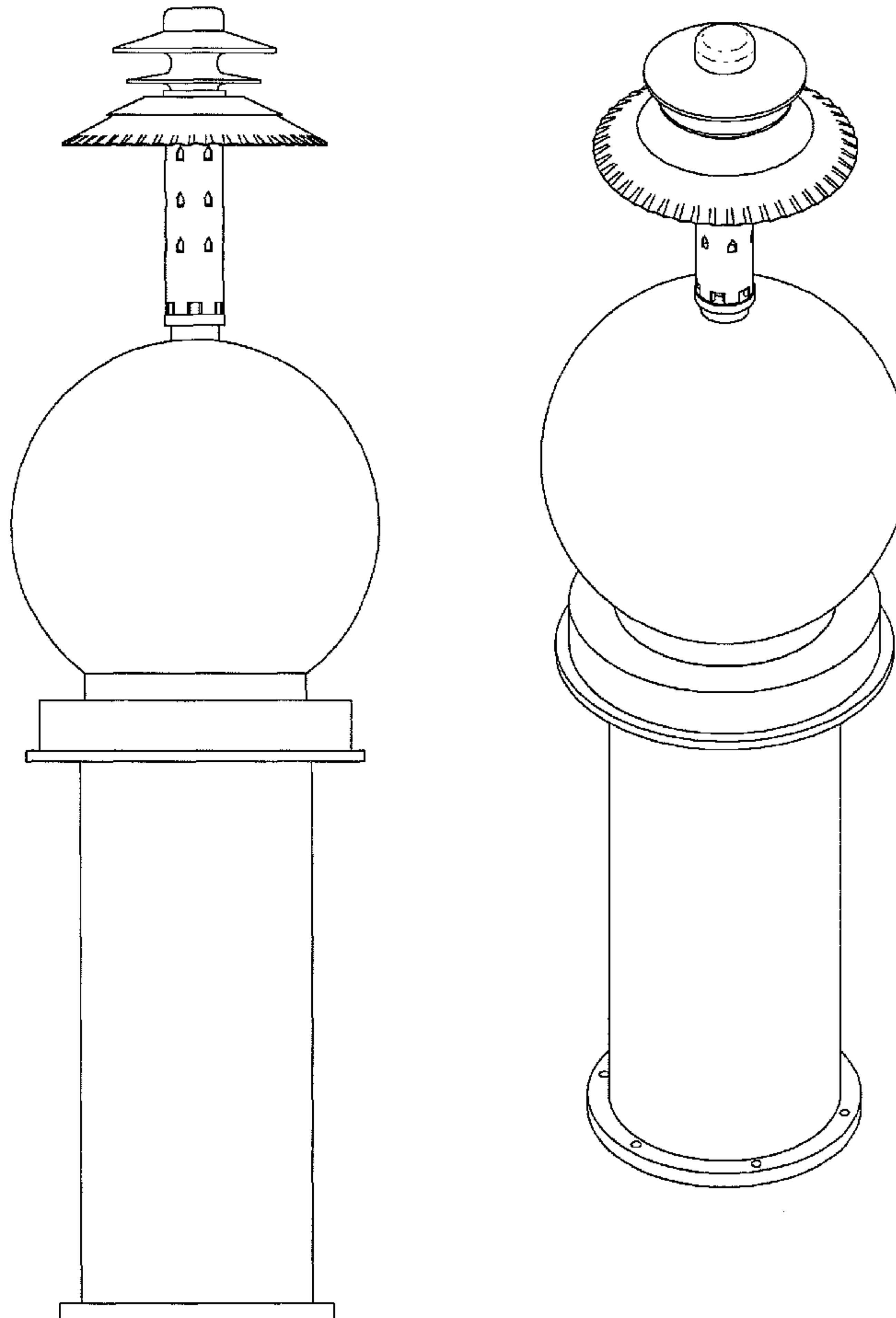
(57) **CLAIM**

The ornamental design for a lightning rod, as shown and described.

**DESCRIPTION**

FIG. 1 is a top view of the lightning rod;  
FIG. 2 is a right-side view thereof;  
FIG. 3 is a left-side view thereof;  
FIG. 4 is a perspective view of thereof;  
FIG. 5 is a front view thereof (the rear view is identical to the front view); and,  
FIG. 6 is a bottom view thereof.

**1 Claim, 6 Drawing Sheets**



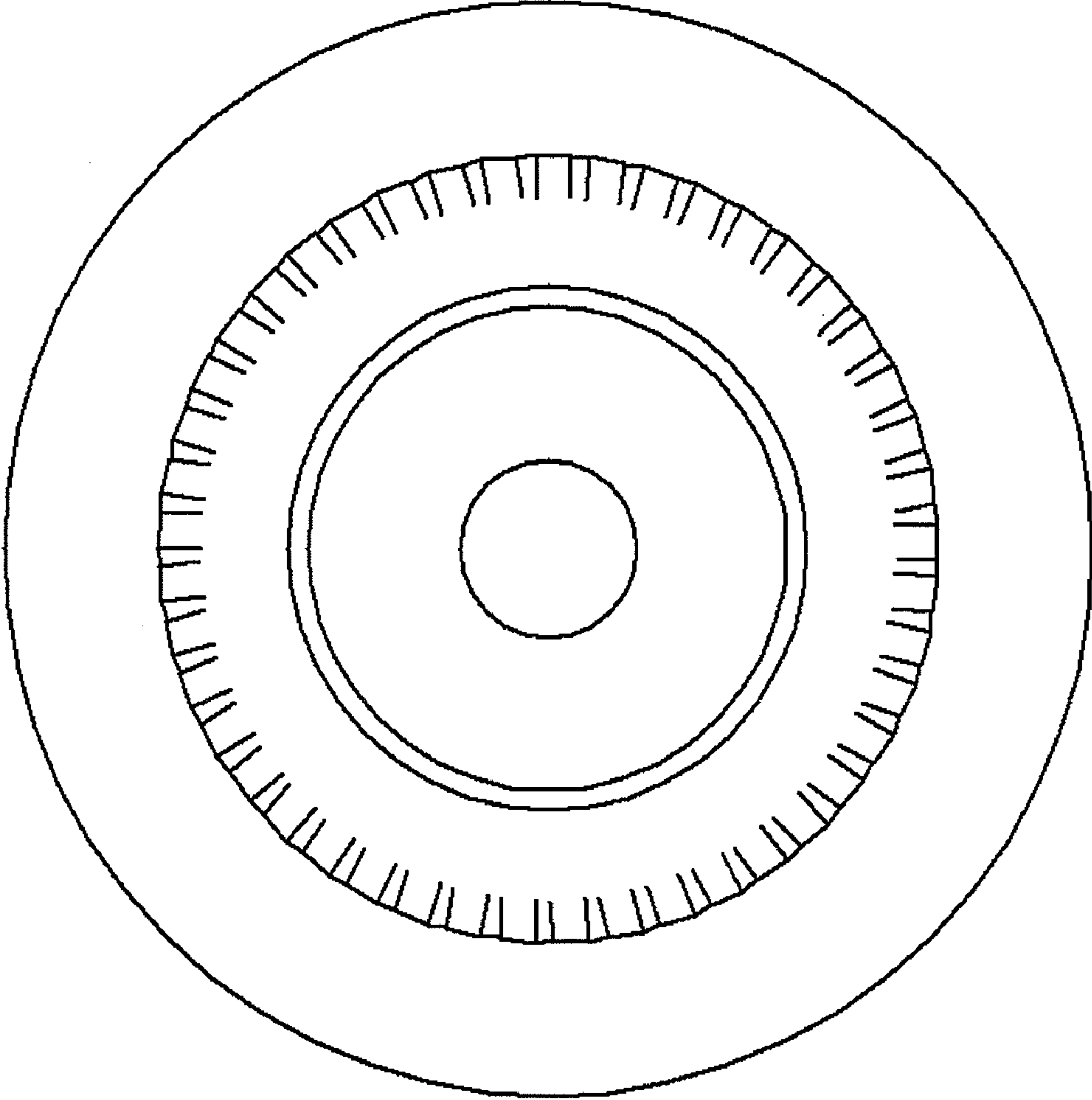


FIG. 1

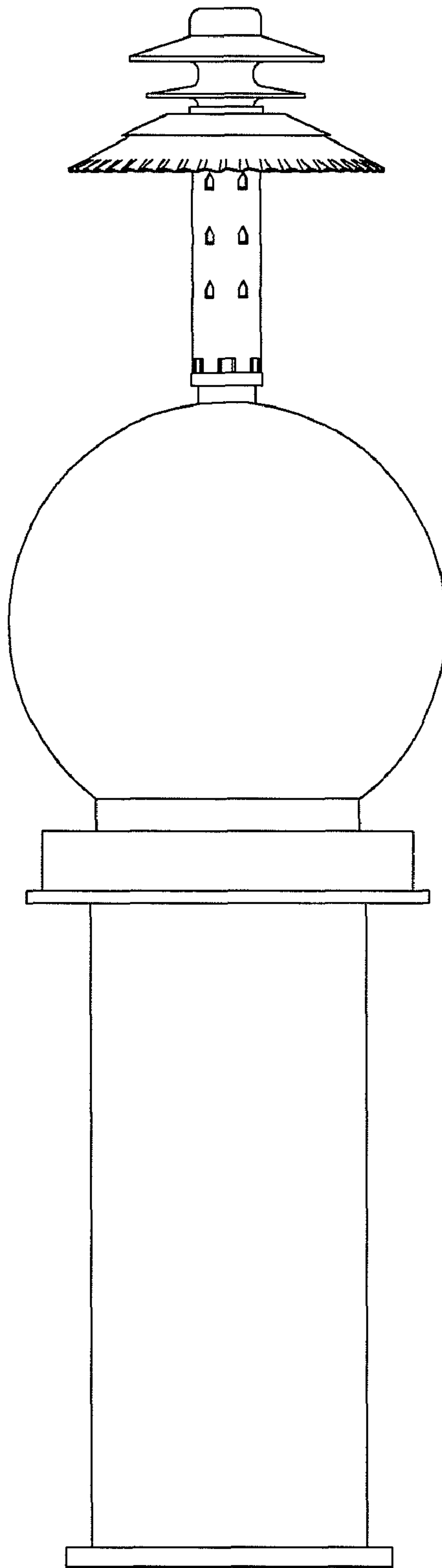


FIG. 2

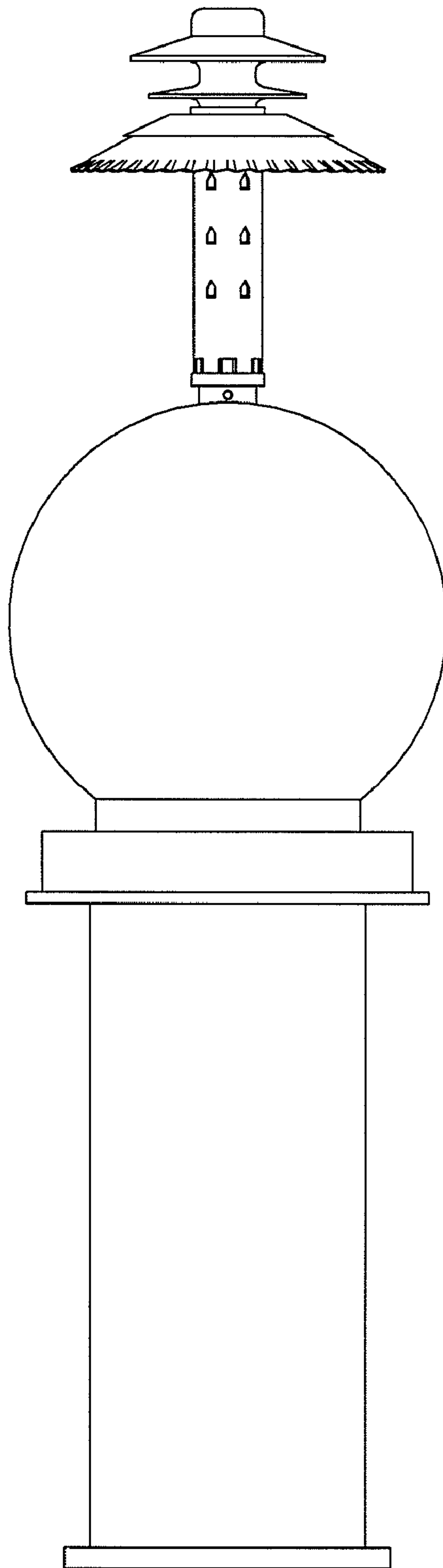
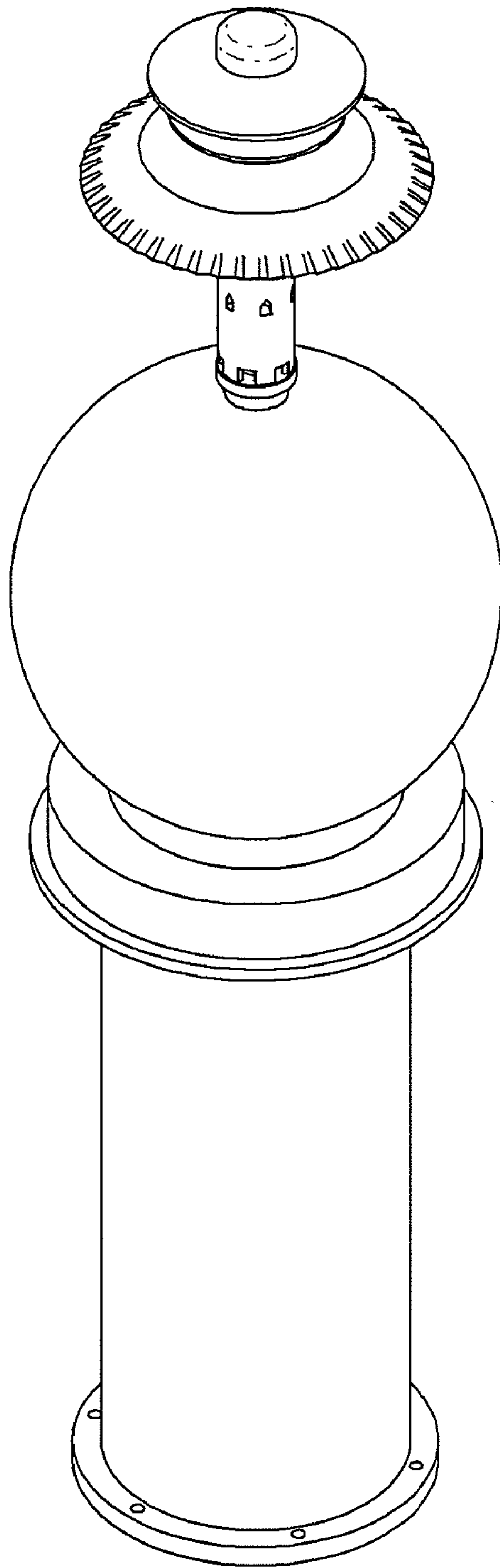


FIG. 3



**FIG. 4**

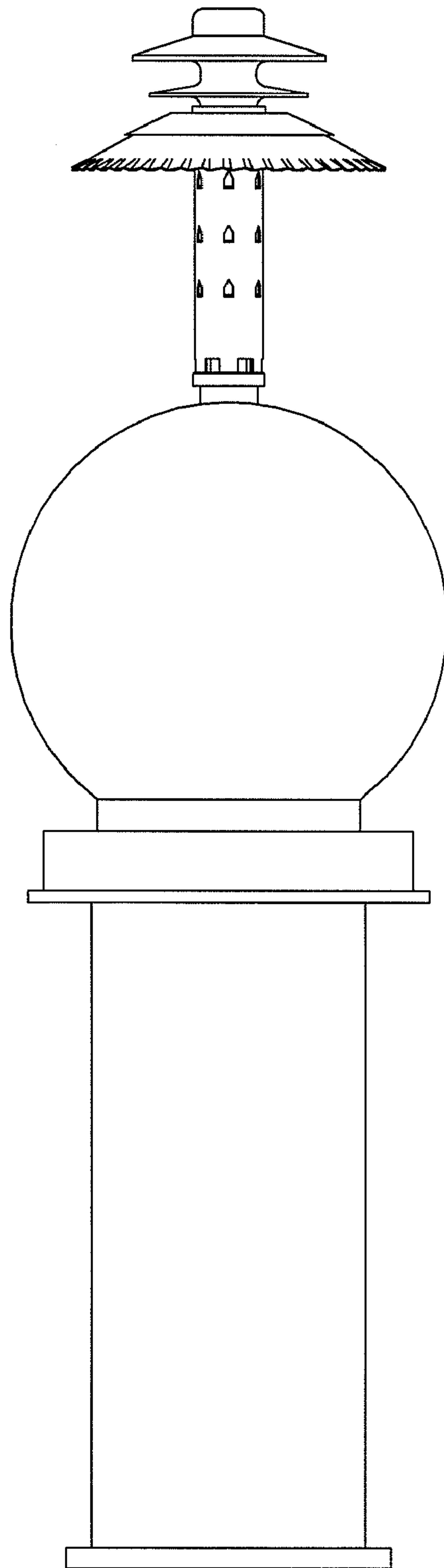


FIG. 5

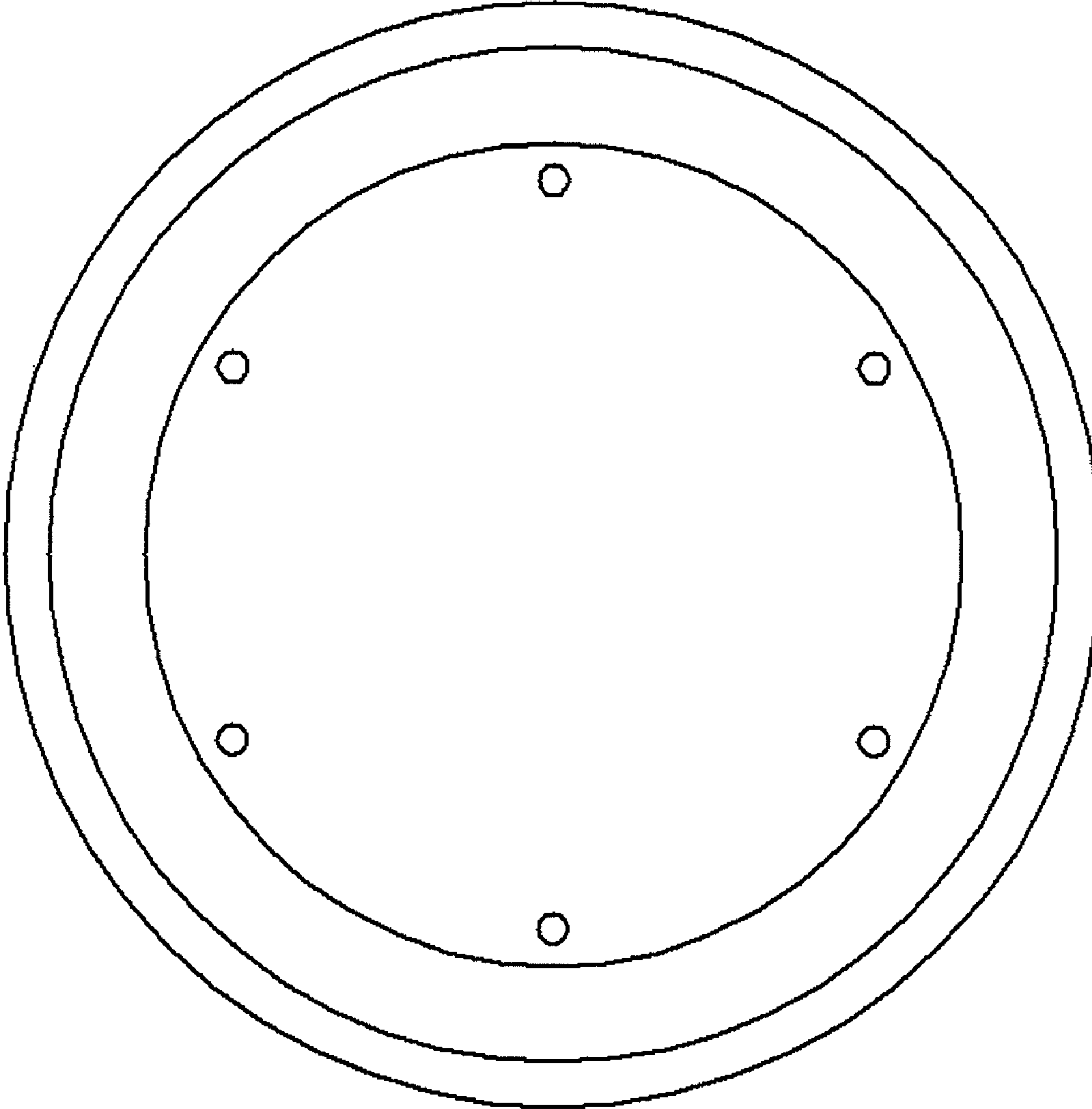


FIG. 6