



US00D642942S

(12) **United States Design Patent**  
**Laurino et al.**

(10) **Patent No.:** **US D642,942 S**  
(45) **Date of Patent:** **\*\* Aug. 9, 2011**

(54) **VIBRATION DETECTOR**

(75) Inventors: **Ferdinand Laurino**, Seattle, WA (US);  
**Christopher W. Lagerberg**, Seattle, WA  
(US); **Matthew Marzynski**, Seattle, WA  
(US)

(73) Assignee: **Fluke Corporation**, Everett, WA (US)

(\*\*) Term: **14 Years**

(21) Appl. No.: **29/359,069**

(22) Filed: **Apr. 5, 2010**

(51) **LOC (9) Cl.** ..... **10-04**

(52) **U.S. Cl.** ..... **D10/78**

(58) **Field of Classification Search** ..... D10/46,  
D10/78; 73/660, 658, 659, 661, 593, 646,  
73/647; 340/683

See application file for complete search history.

(56) **References Cited**

**U.S. PATENT DOCUMENTS**

6,351,714	B1 *	2/2002	Birchmeier	702/56
6,832,521	B1 *	12/2004	Courtney et al.	73/658
D510,044	S *	9/2005	Ribeiro et al.	D10/78
D518,394	S *	4/2006	Lipscomb et al.	D10/78
7,151,835	B2 *	12/2006	Yonovitz et al.	381/56

D579,361	S *	10/2008	Wen	D10/78
7,487,679	B2 *	2/2009	Sirrione et al.	73/660
7,908,118	B2 *	3/2011	Trowbridge et al.	340/683

\* cited by examiner

*Primary Examiner* — Antoine D Davis  
(74) *Attorney, Agent, or Firm* — Perkins Coie LLP

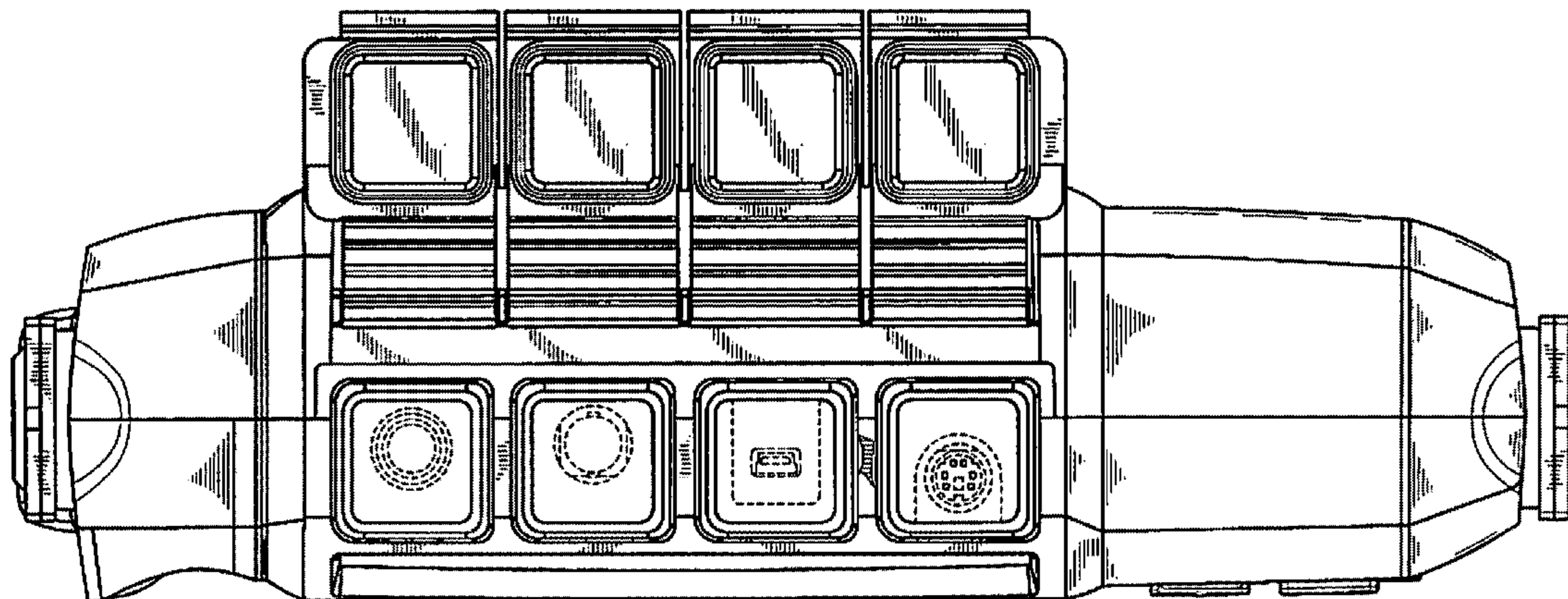
(57) **CLAIM**

The ornamental design for a vibration detector, as shown and described.

**DESCRIPTION**

FIG. 1 is a top view of a first embodiment of a vibration detector having open access caps.  
 FIG. 2 is a front view thereof.  
 FIG. 3 is a bottom view thereof.  
 FIG. 4 is a back view thereof.  
 FIG. 5 is a right side view thereof.  
 FIG. 6 is a left side view thereof.  
 FIG. 7 is a first perspective view thereof.  
 FIG. 8 is a second perspective view thereof.  
 FIG. 9 is a top view of the first embodiment of the vibration detector having closed access caps.  
 FIG. 10 is a front view thereof.  
 FIG. 11 is a bottom view thereof.  
 FIG. 12 is a back view thereof.  
 FIG. 13 is a right side view thereof.  
 FIG. 14 is a left side view thereof.  
 FIG. 15 is a first perspective view thereof; and,  
 FIG. 16 is a second perspective view thereof.

**1 Claim, 14 Drawing Sheets**



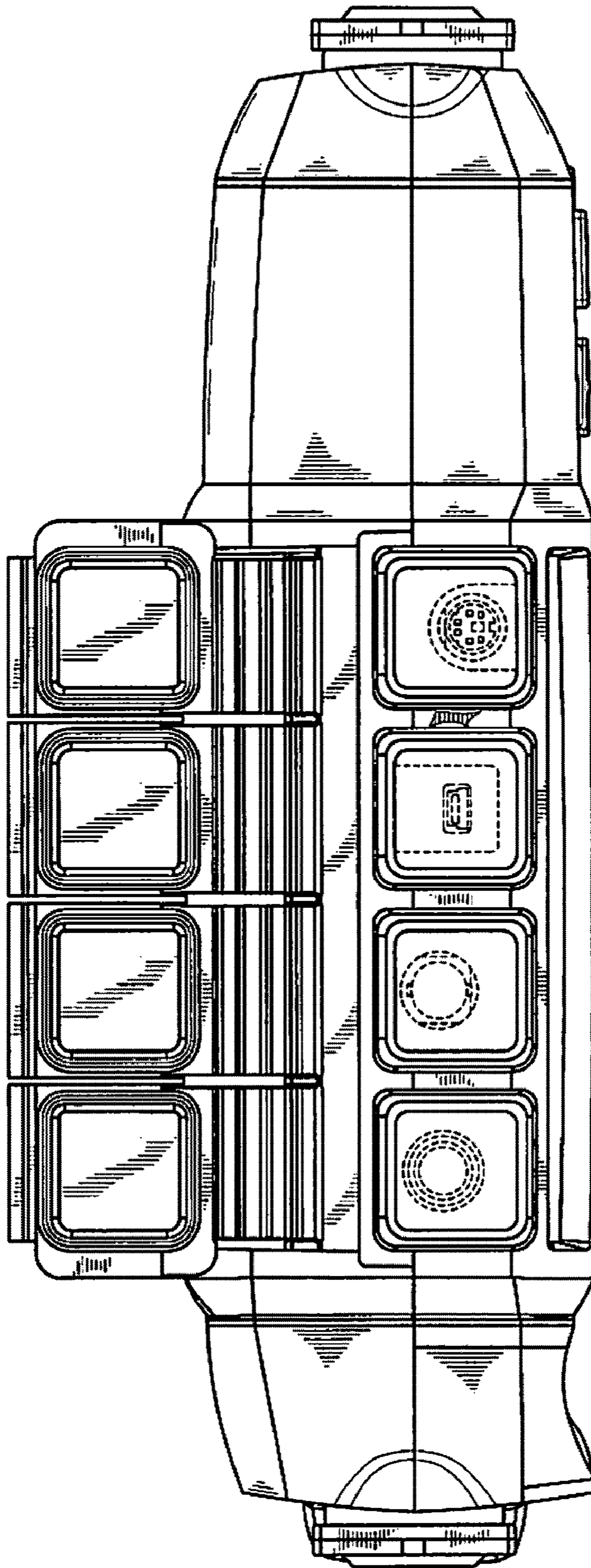


FIG. 1

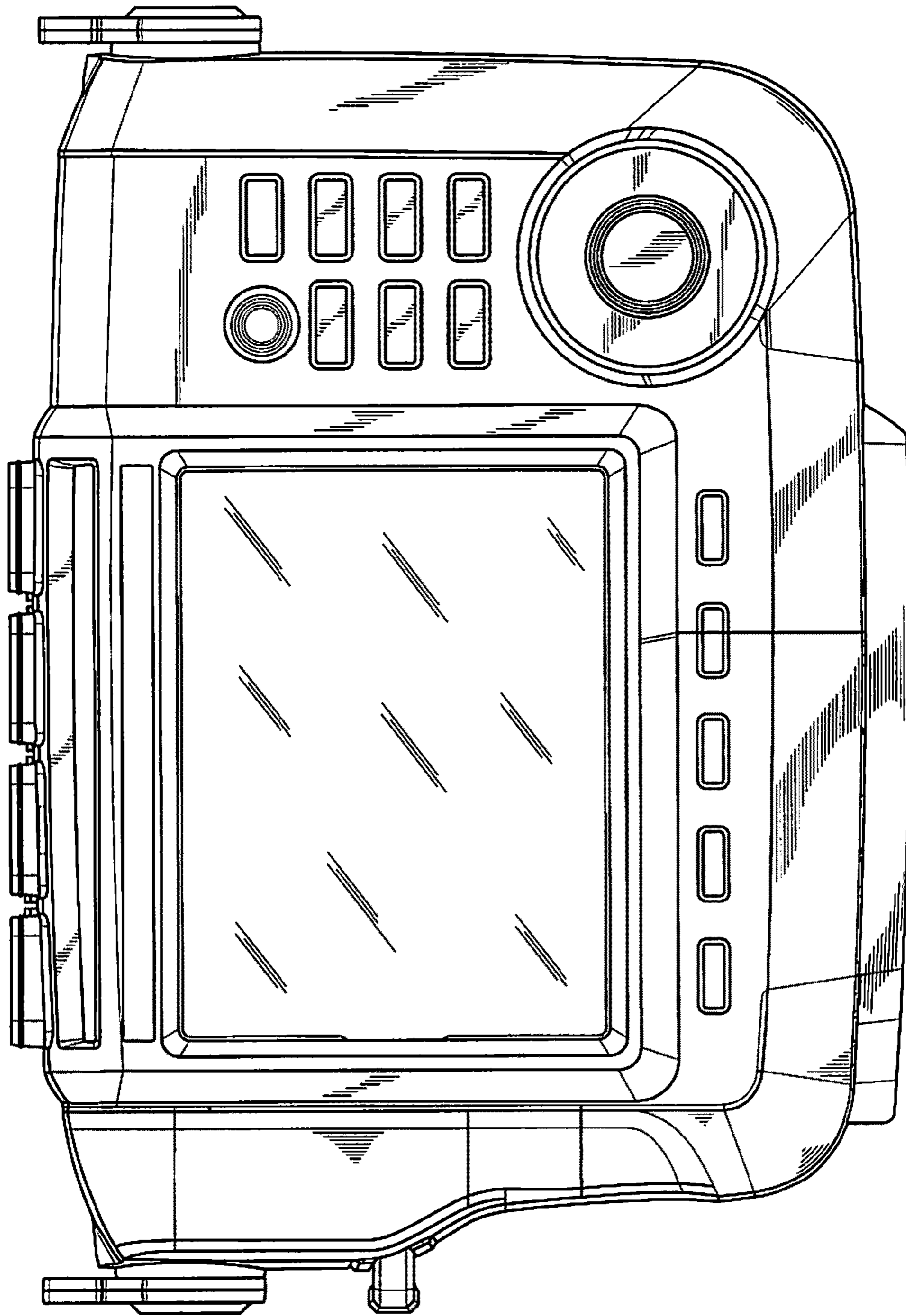


FIG. 2

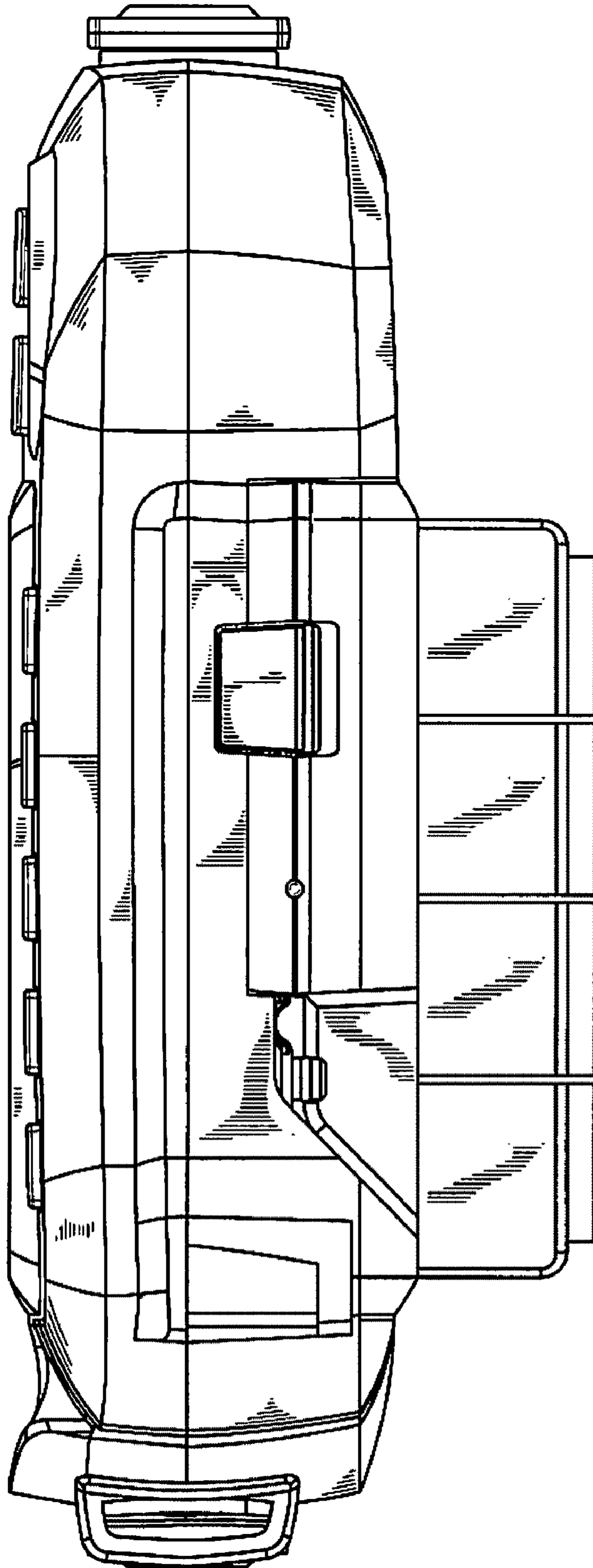


FIG. 3

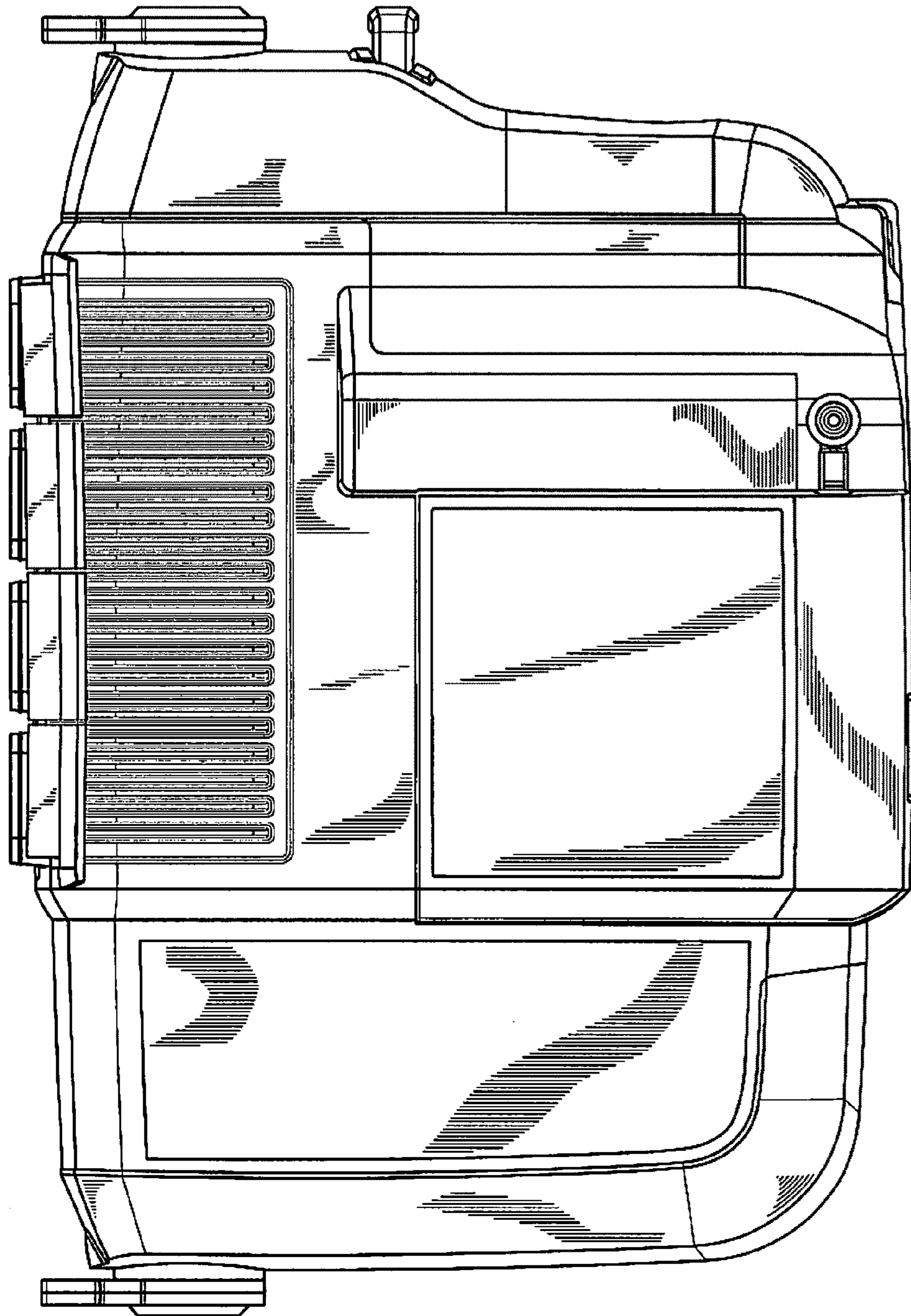


FIG. 4

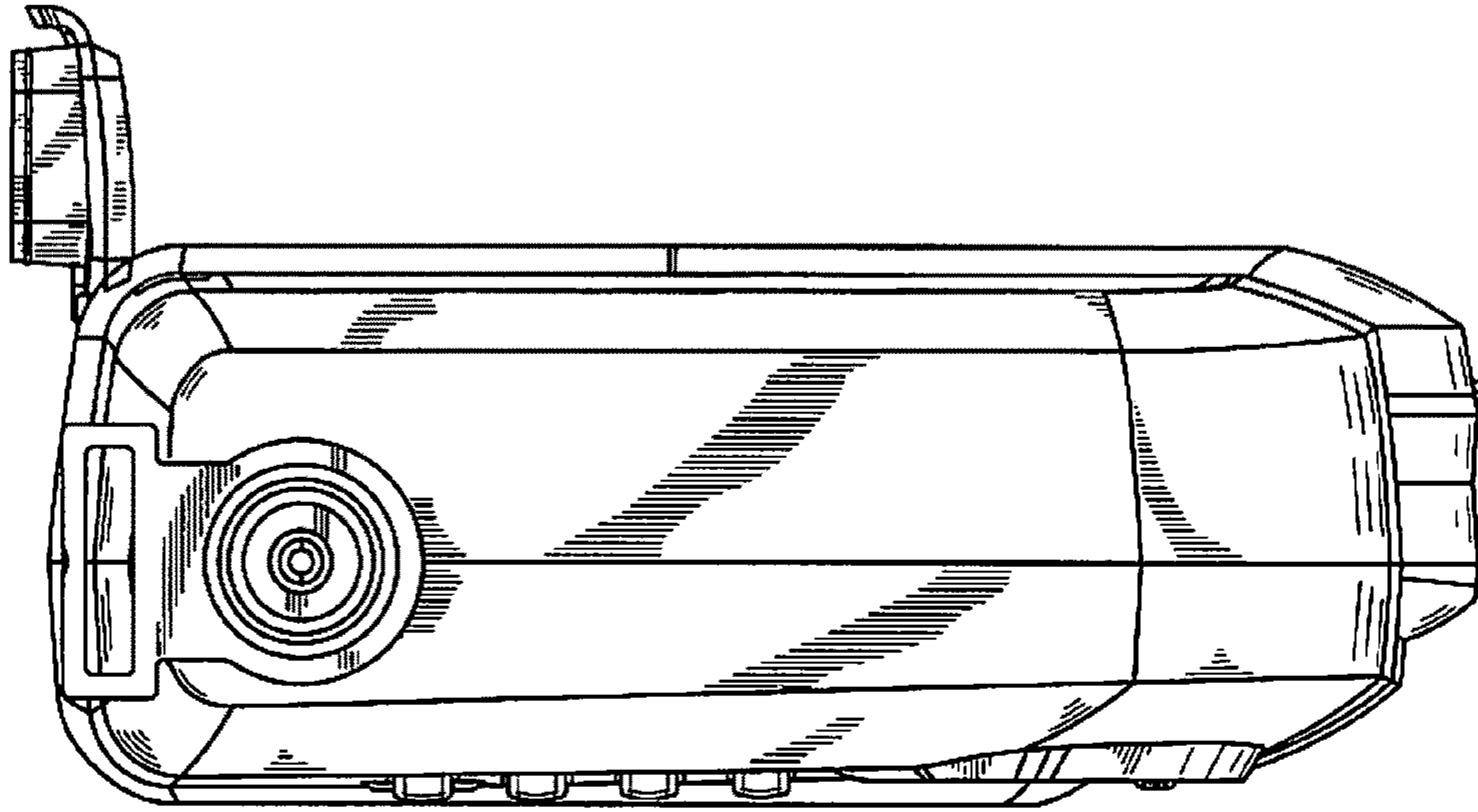


FIG. 6

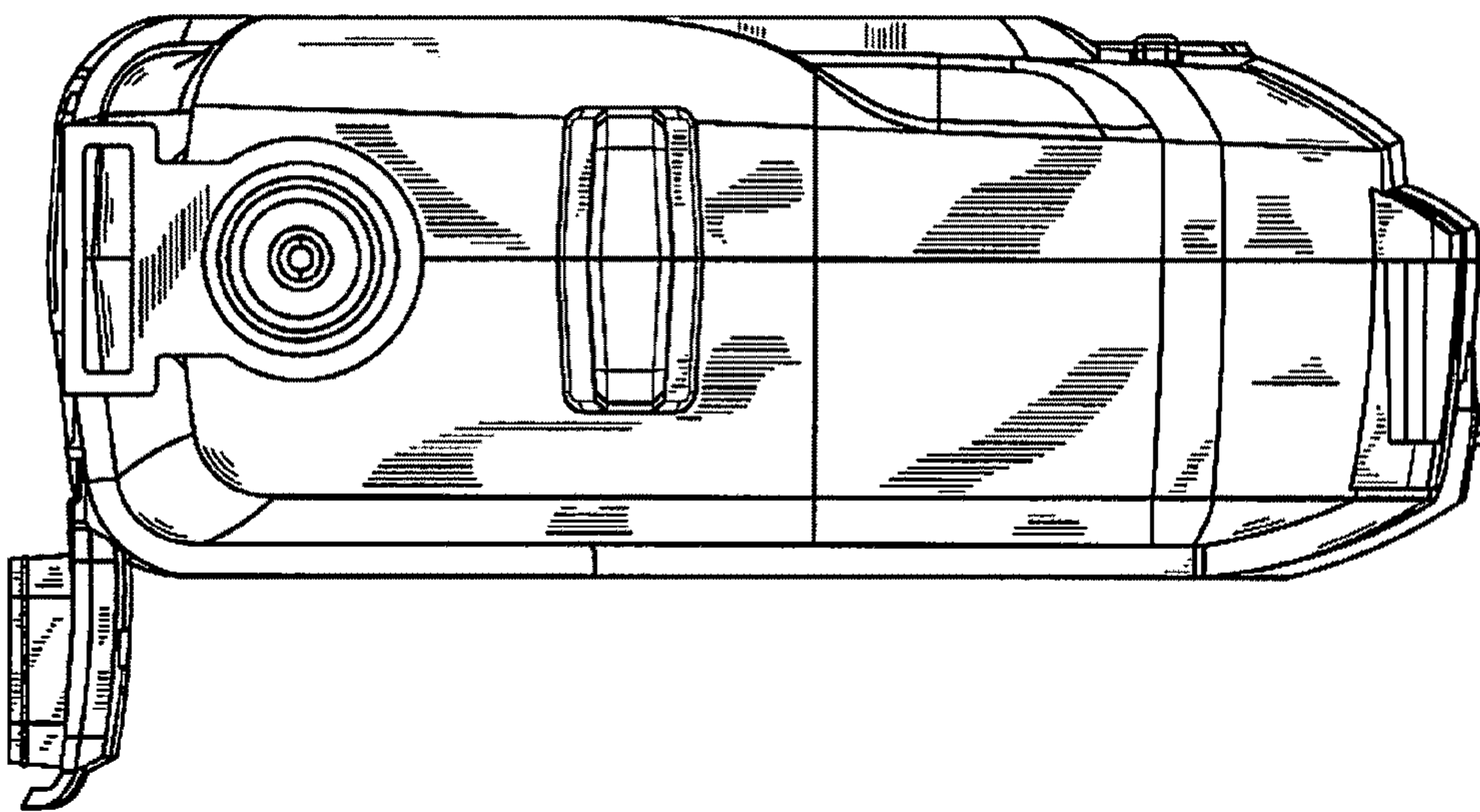


FIG. 5

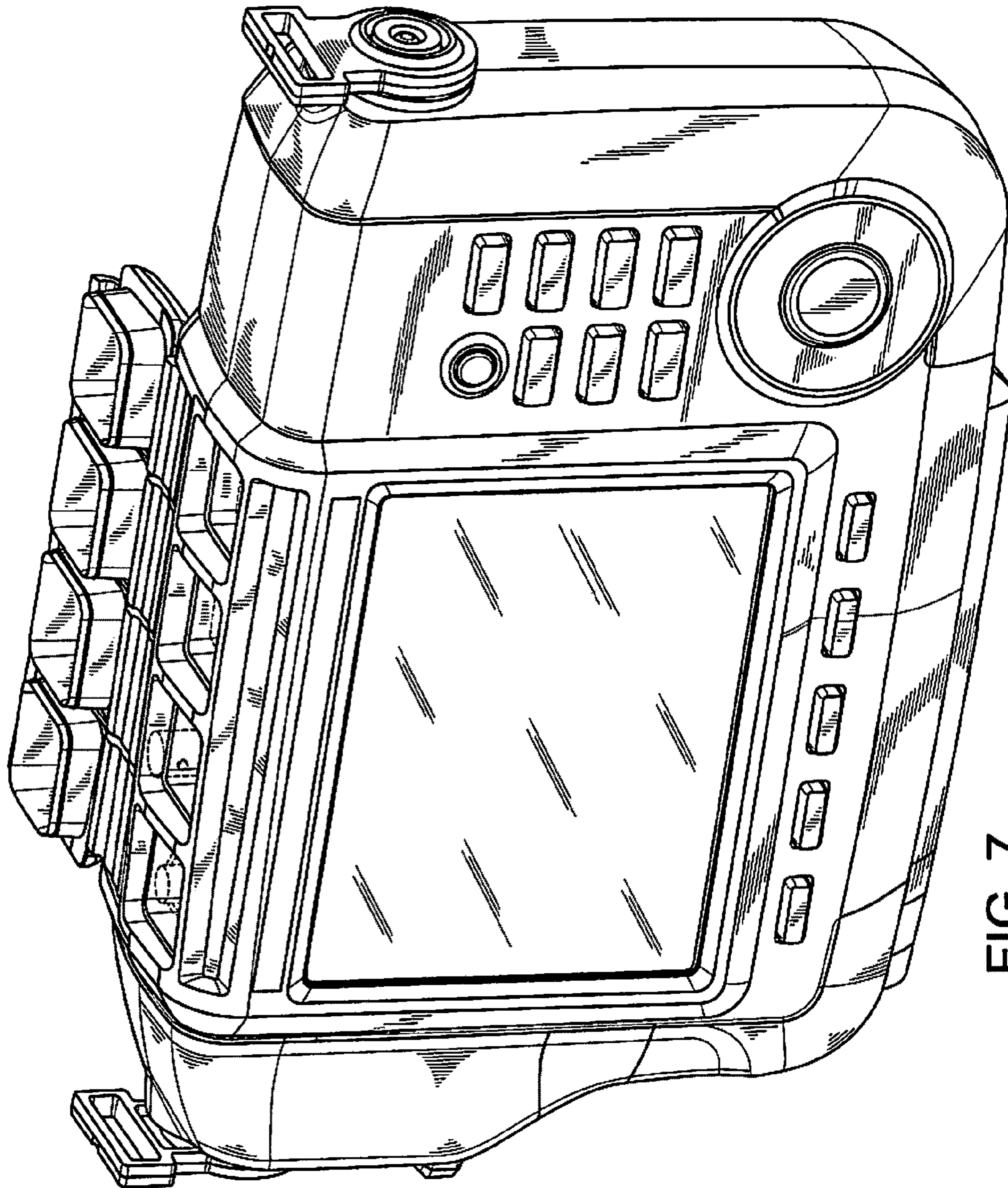


FIG. 7

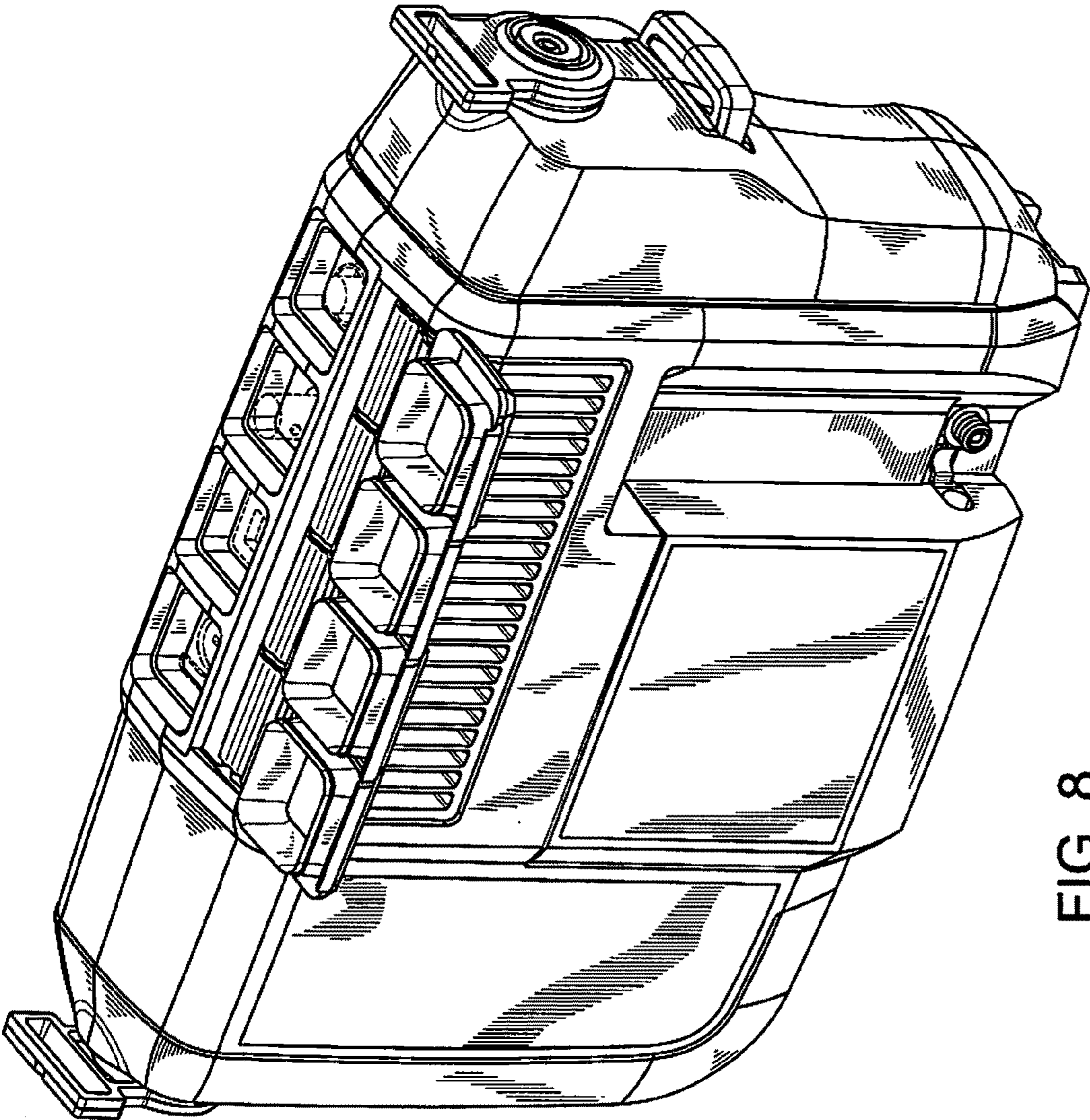


FIG. 8



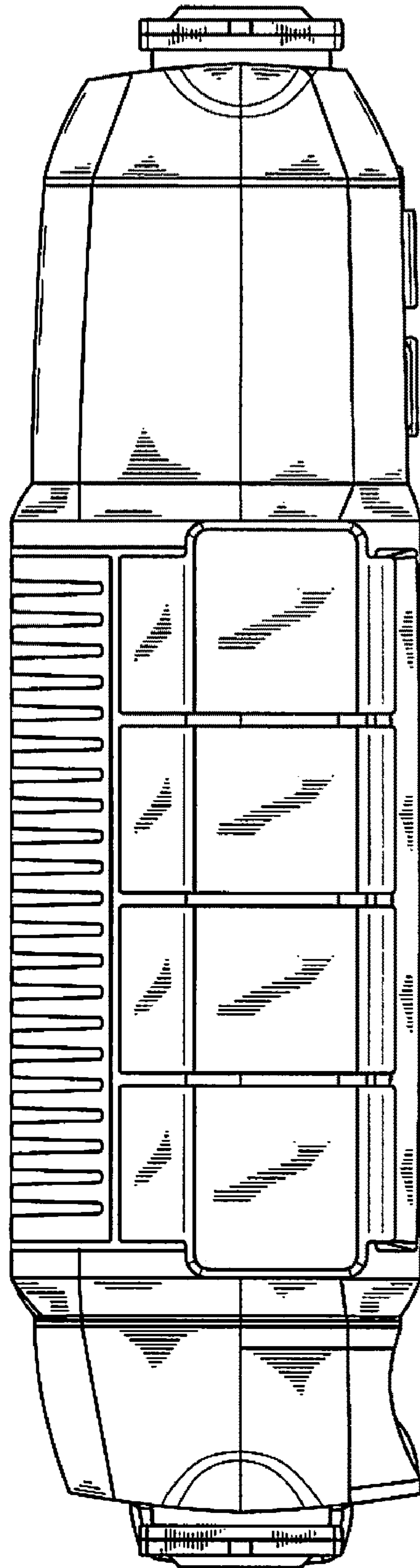


FIG. 9

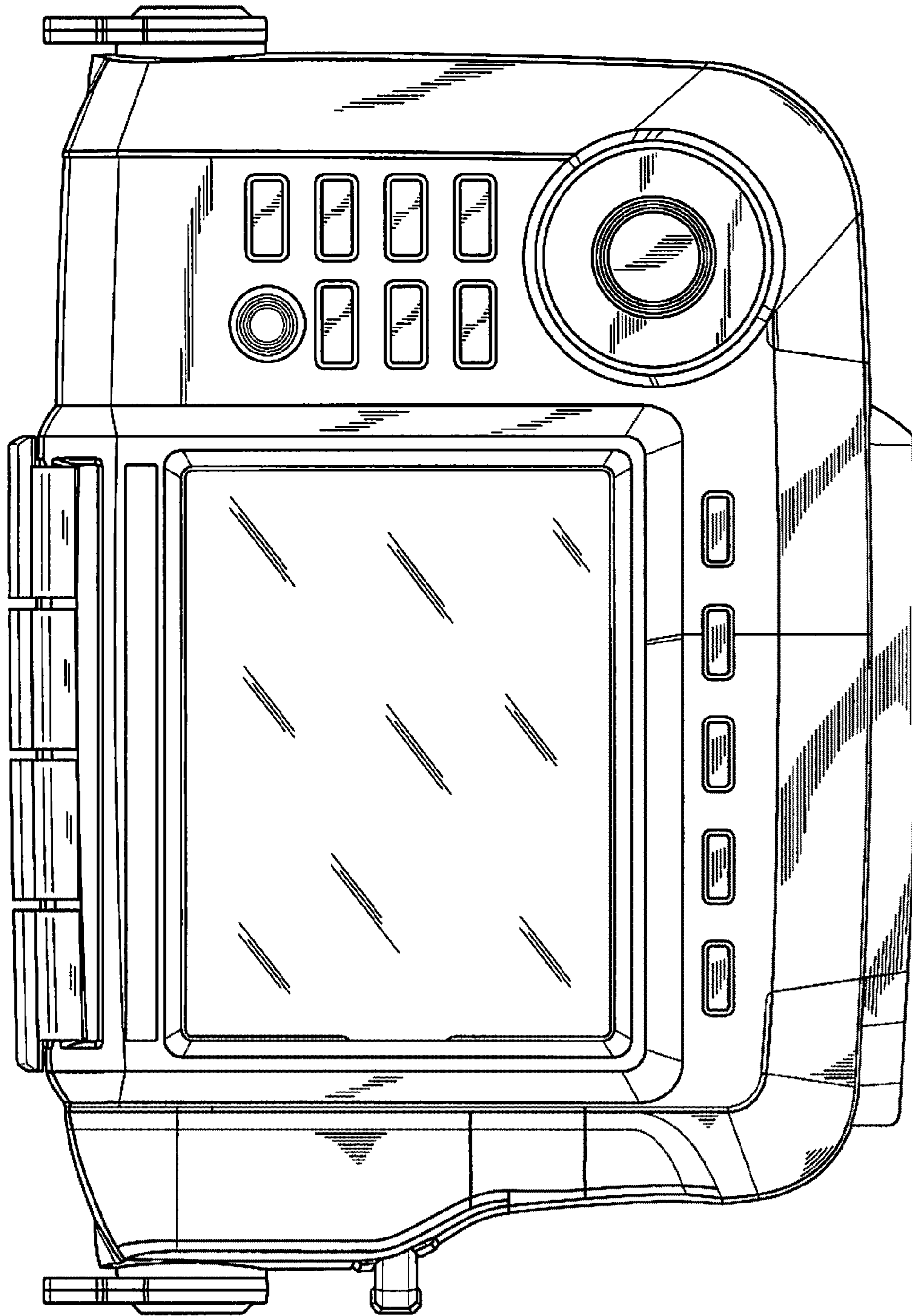


FIG. 10

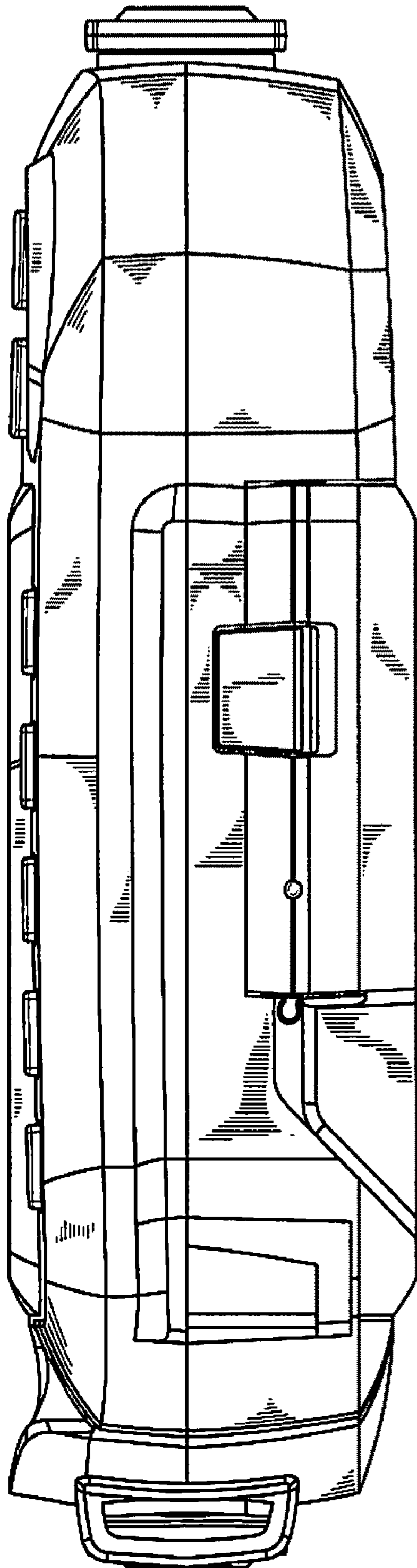


FIG. 11

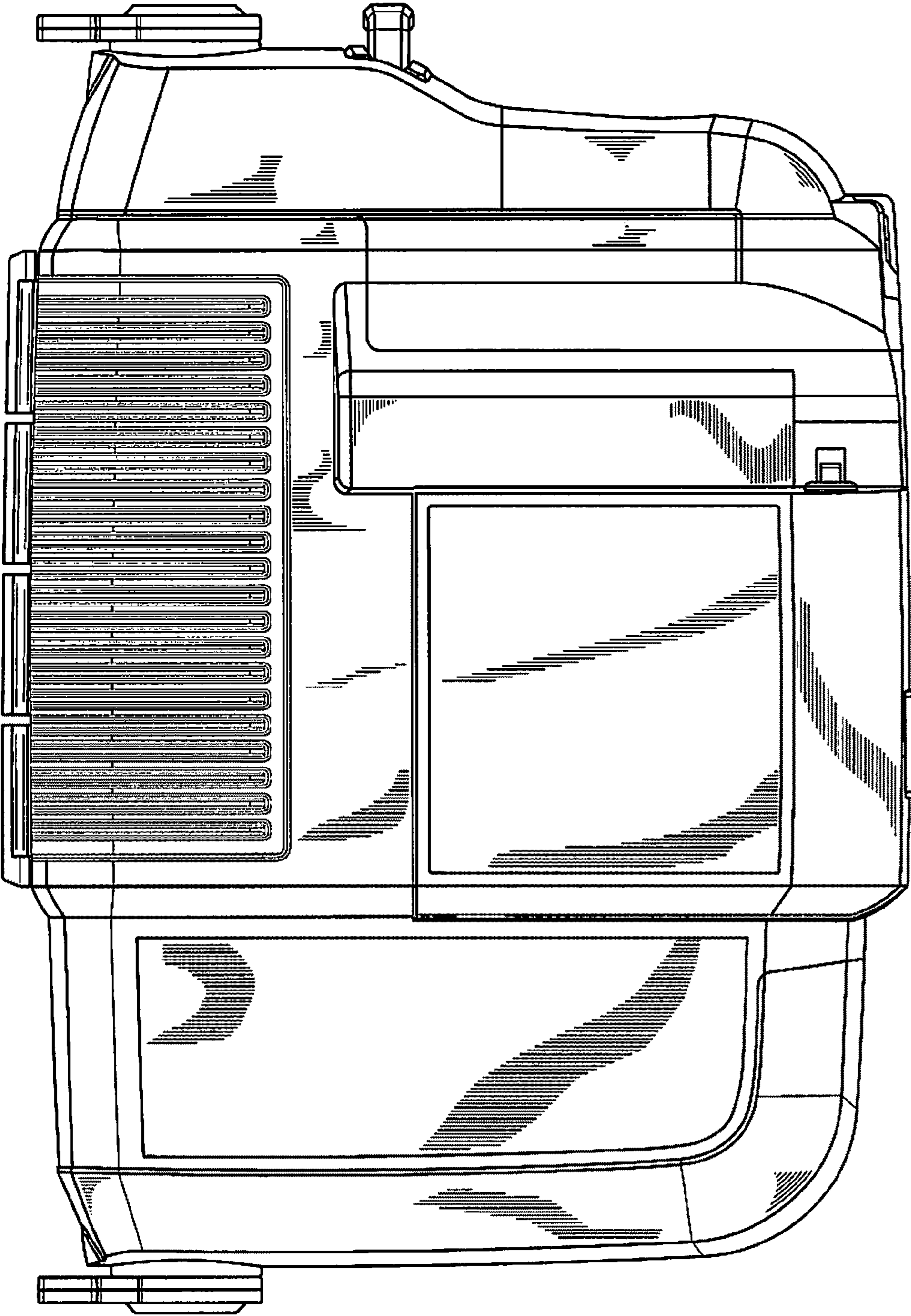


FIG. 12

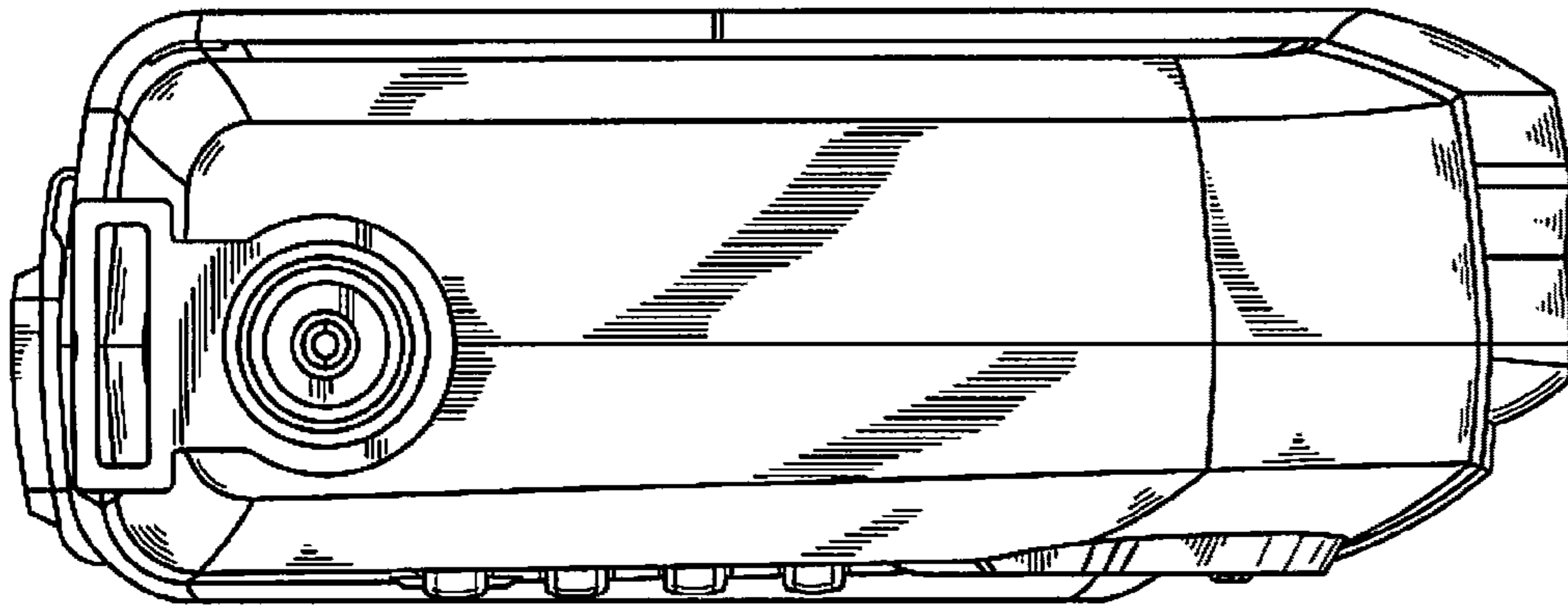


FIG. 14

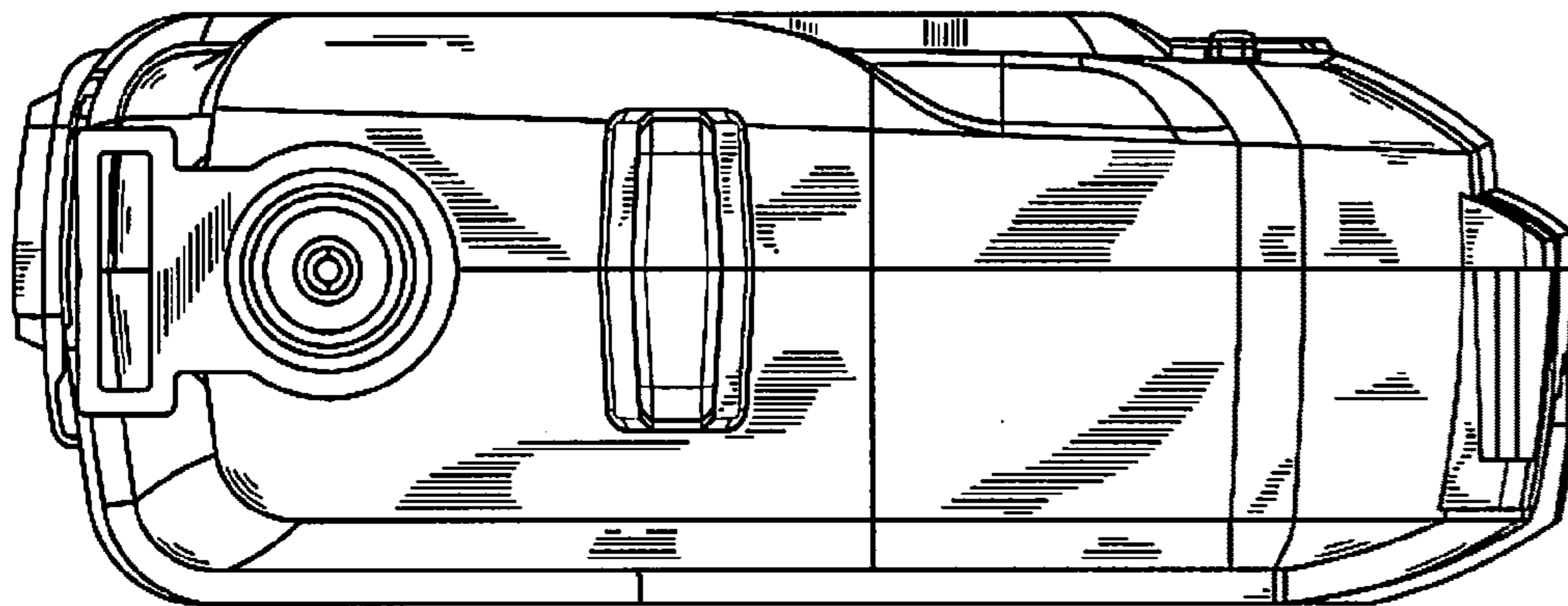


FIG. 13

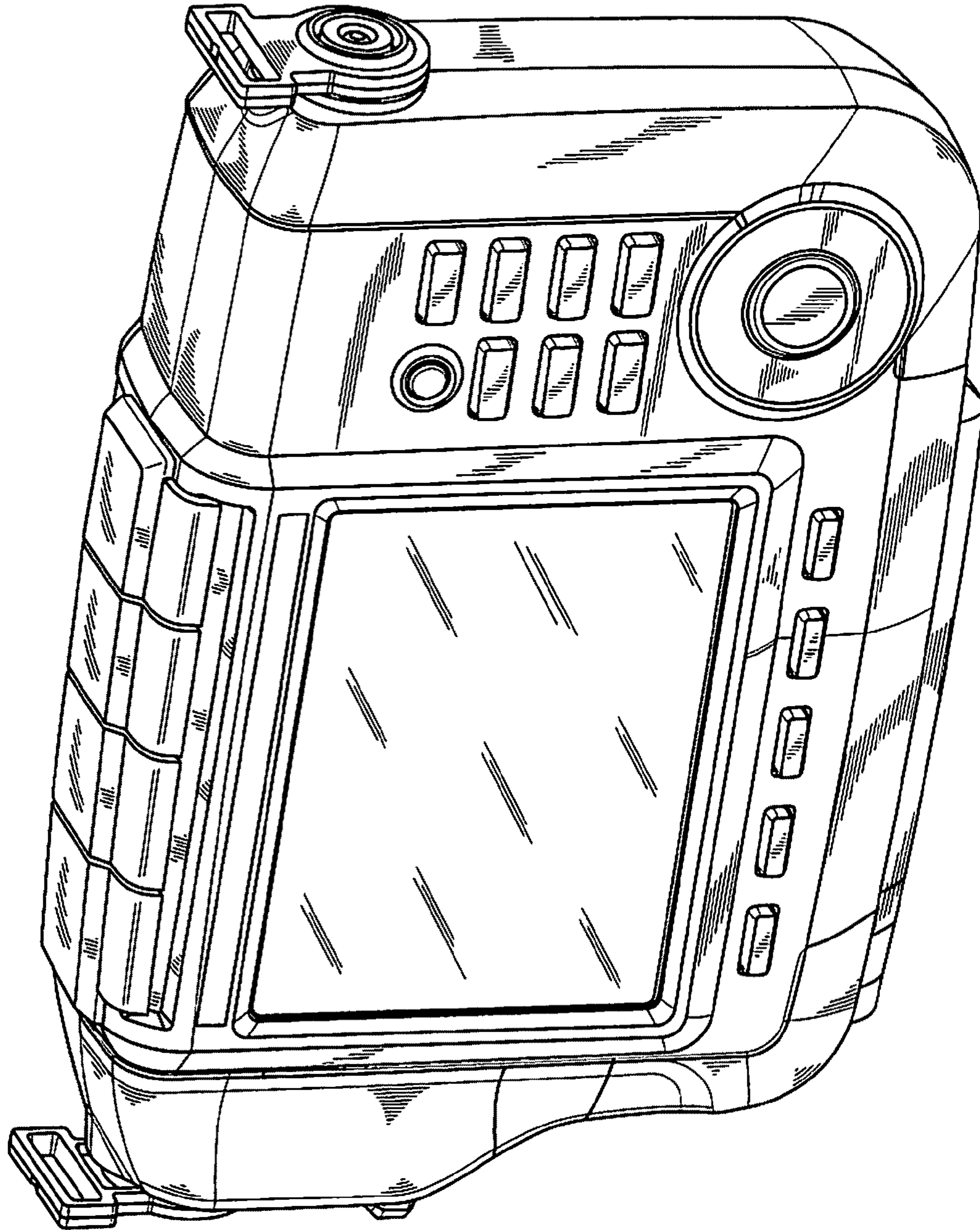


FIG. 15

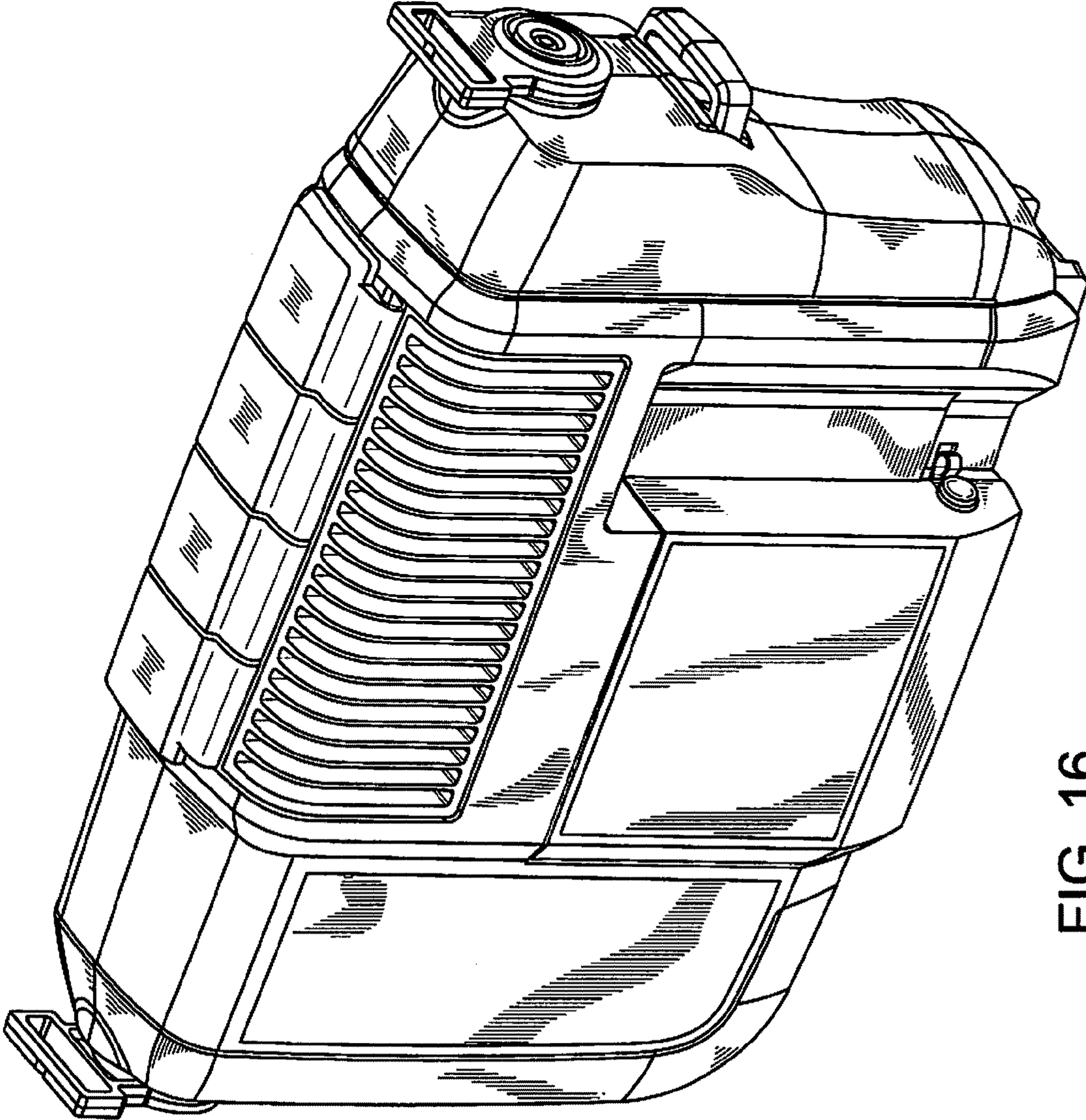


FIG. 16