



US00D642941S

(12) **United States Design Patent**  
**Haack**

(10) **Patent No.:** **US D642,941 S**

(45) **Date of Patent:** **\*\* Aug. 9, 2011**

(54) **TEST BENCH**

(56) **References Cited**

(75) Inventor: **Ingo Haack**, Waiblingen (DE)

U.S. PATENT DOCUMENTS

(73) Assignee: **Robert Bosch GmbH**, Stuttgart (DE)

D299,345 S *	1/1989	Foy et al. ....	D10/75
D349,464 S *	8/1994	Nakashima et al. ....	D10/75
D350,490 S *	9/1994	Takao ....	D10/75
D358,105 S *	5/1995	Joyce ....	D10/81
D366,625 S *	1/1996	Carroll ....	D10/81
D383,683 S *	9/1997	Kamata et al. ....	D10/75
6,405,610 B1 *	6/2002	Komatsu et al. ....	73/865.9

(\*\*) Term: **14 Years**

\* cited by examiner

(21) Appl. No.: **29/362,461**

*Primary Examiner* — Antoine D Davis

(22) Filed: **May 26, 2010**

(74) *Attorney, Agent, or Firm* — Maginot, Moore & Beck

(30) **Foreign Application Priority Data**

(57) **CLAIM**

The ornamental design for a test bench, as shown and described.

Dec. 22, 2009 (EM) ..... 001186001

**DESCRIPTION**

(51) **LOC (9) Cl.** ..... **10-04**

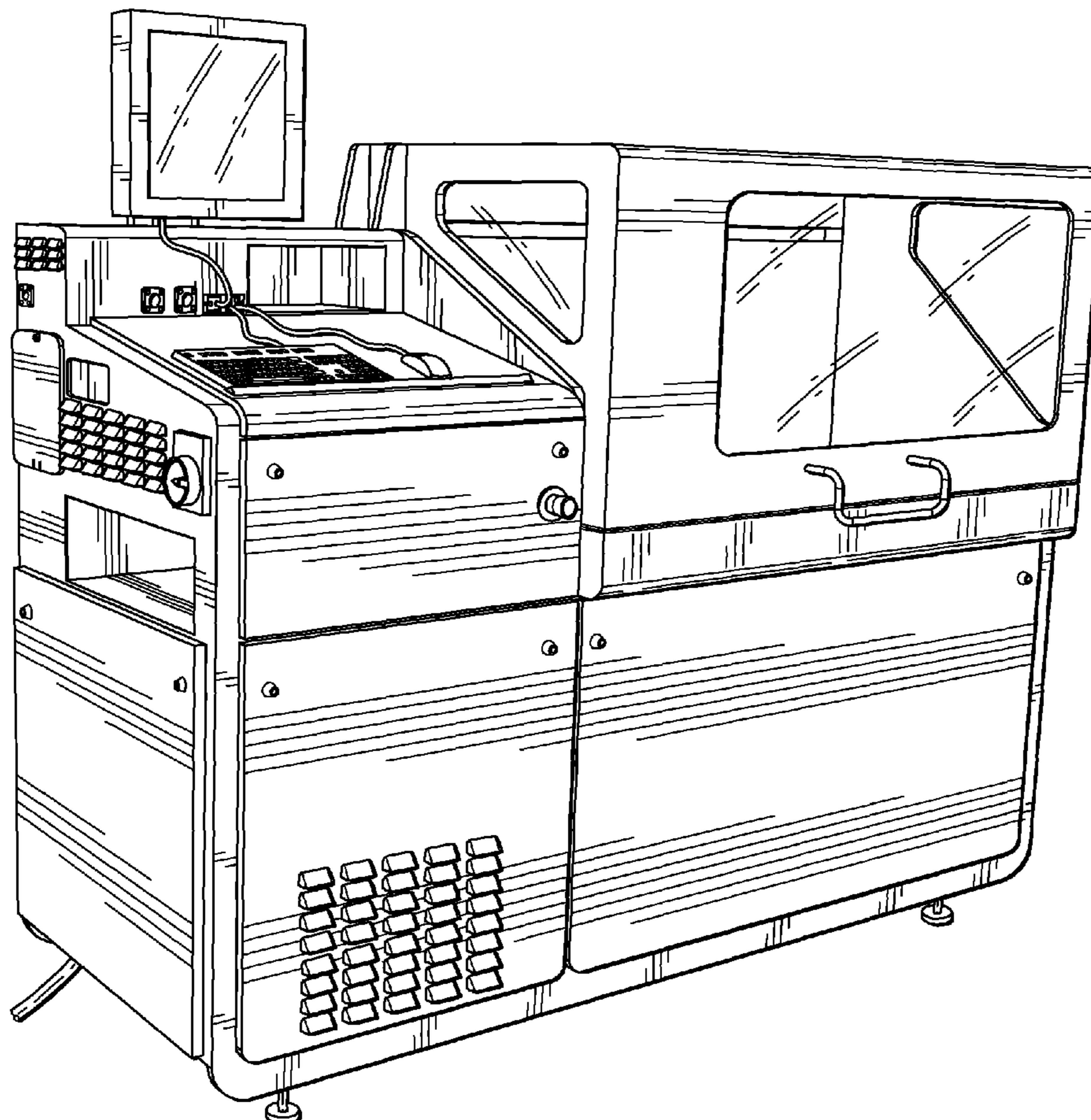
FIG. 1 is a front right perspective view of a test bench;  
FIG. 2 is a right elevational view thereof;  
FIG. 3 is a left elevational view thereof;  
FIG. 4 is a front elevational view thereof;  
FIG. 5 is a rear elevational view thereof;  
FIG. 6 is a top plan view thereof; and,  
FIG. 7 is a bottom plan view thereof.

(52) **U.S. Cl.** ..... **D10/75; D10/81**

(58) **Field of Classification Search** ..... D10/75,  
D10/81; 73/273, 274, 426, 431, 865.9, 116.07;  
324/76.11, 324, 537, 72; 429/465

See application file for complete search history.

**1 Claim, 6 Drawing Sheets**



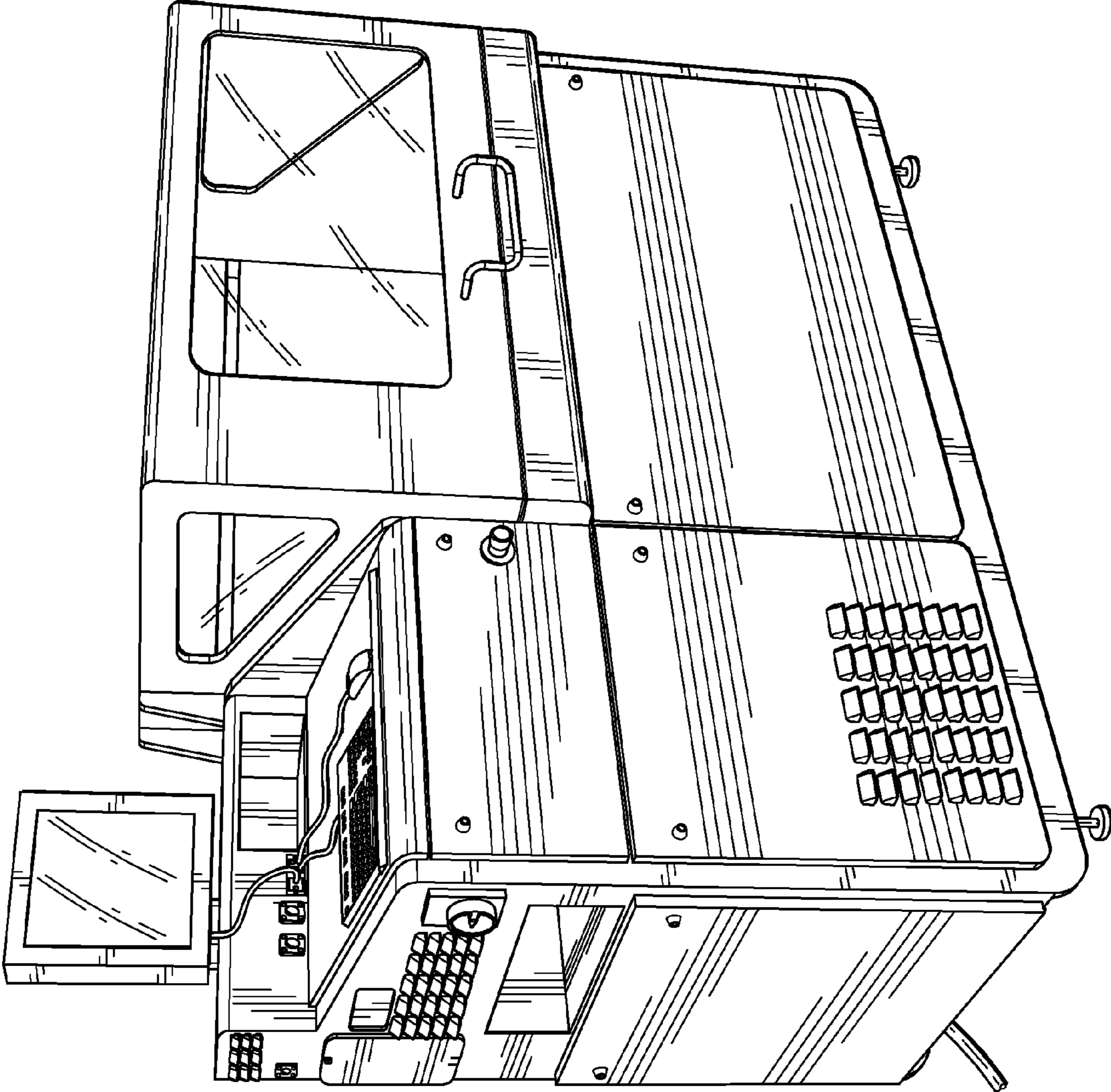


Fig. 1

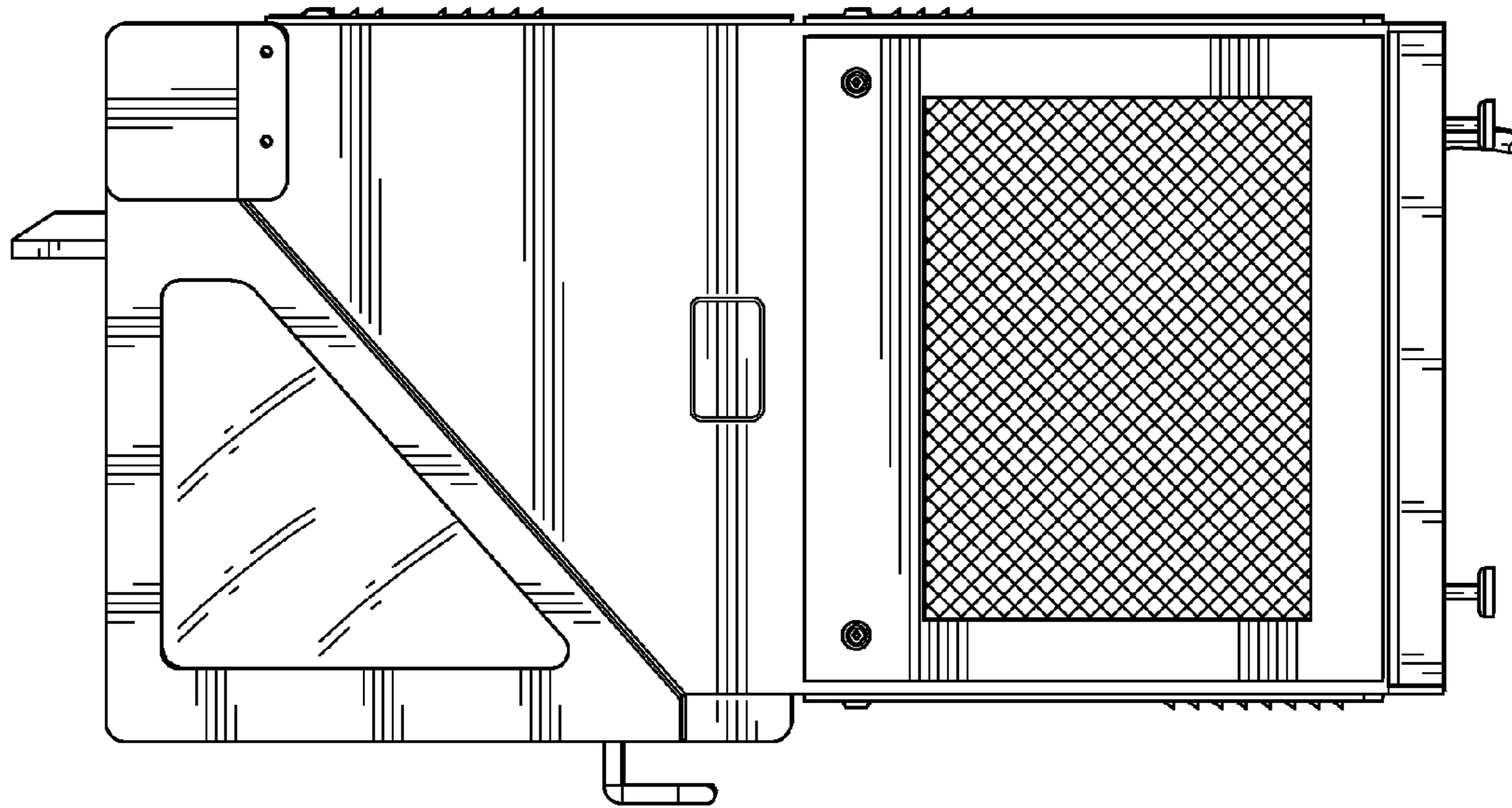


Fig. 3

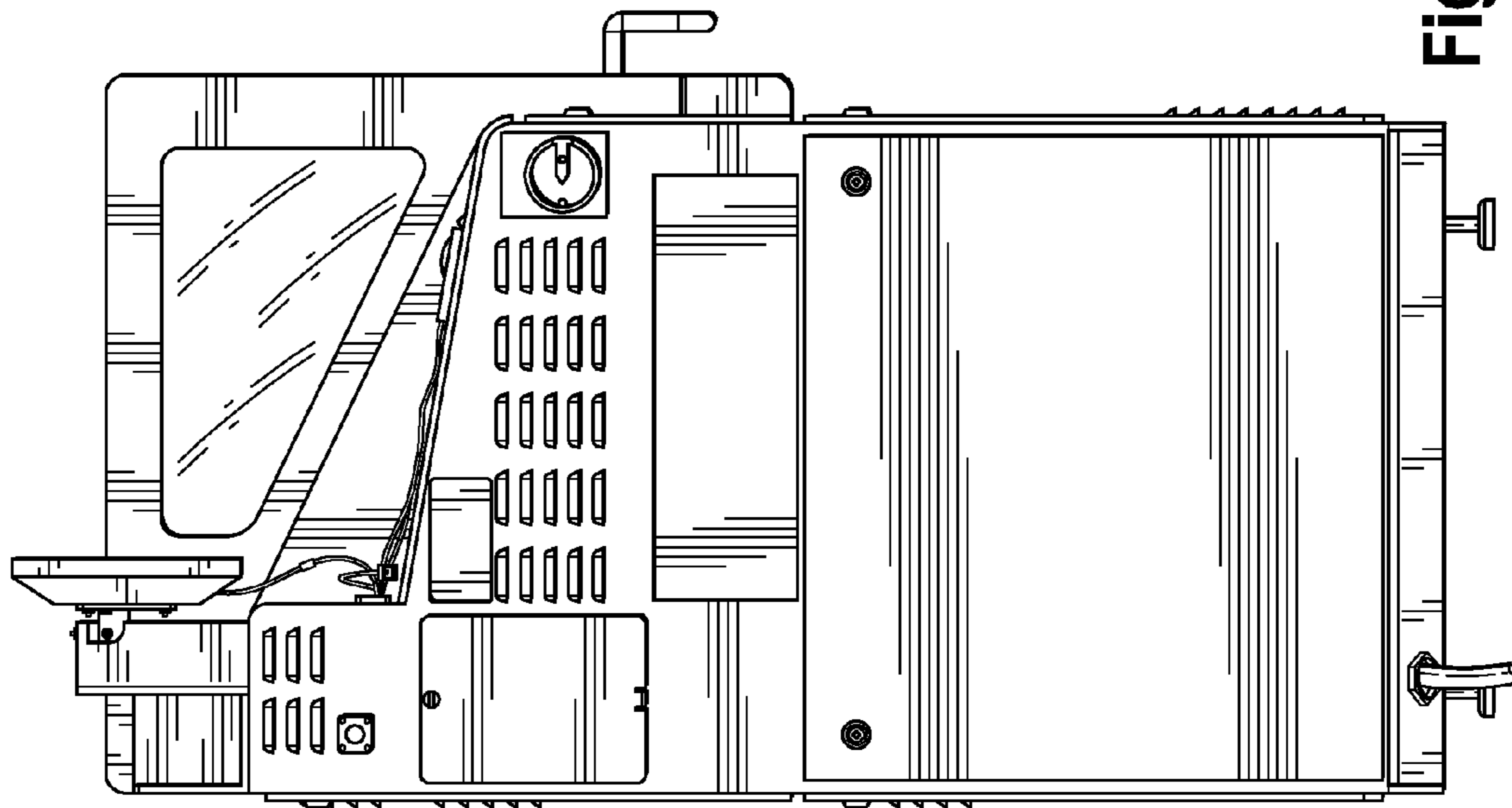


Fig. 2

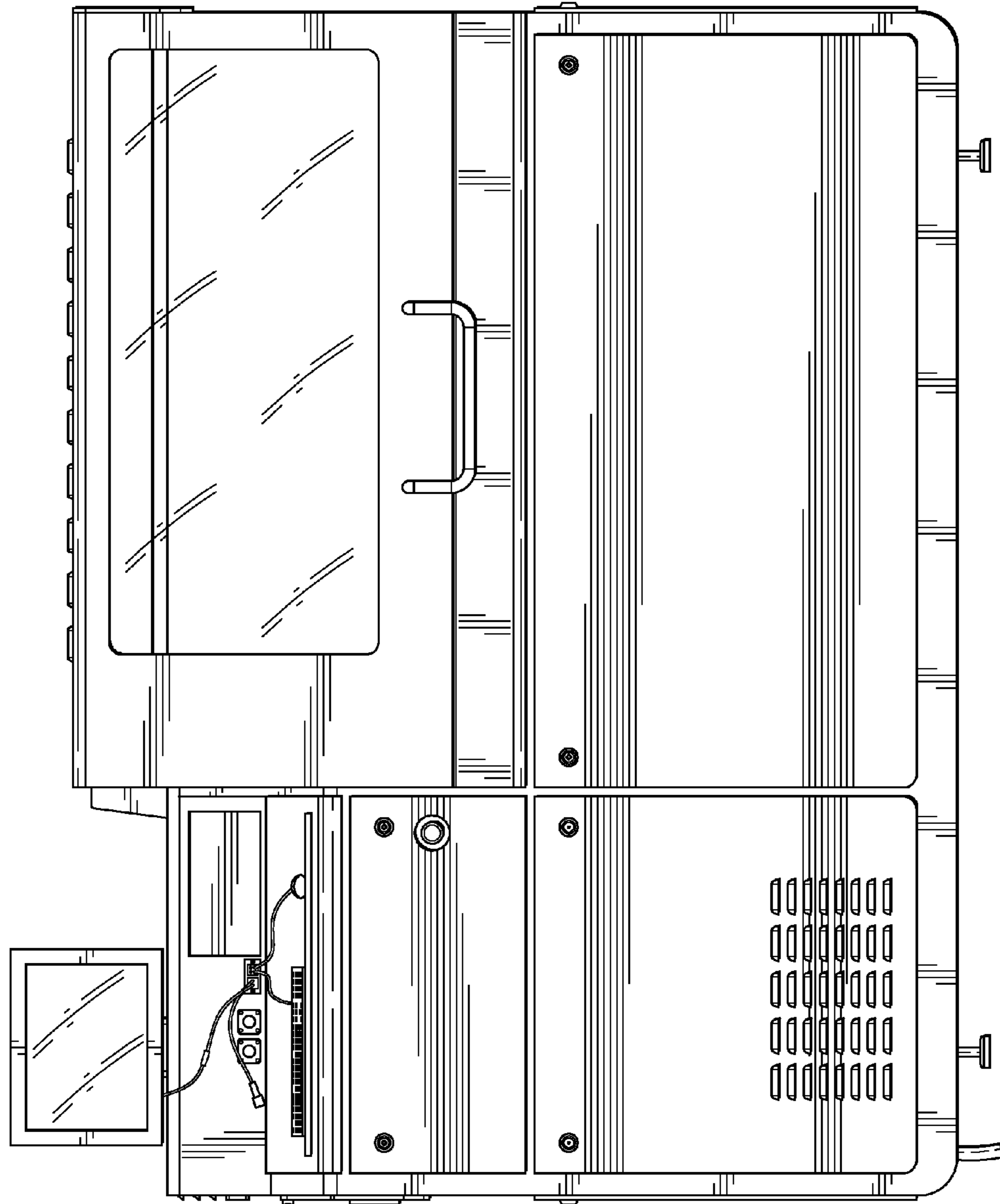


Fig. 4



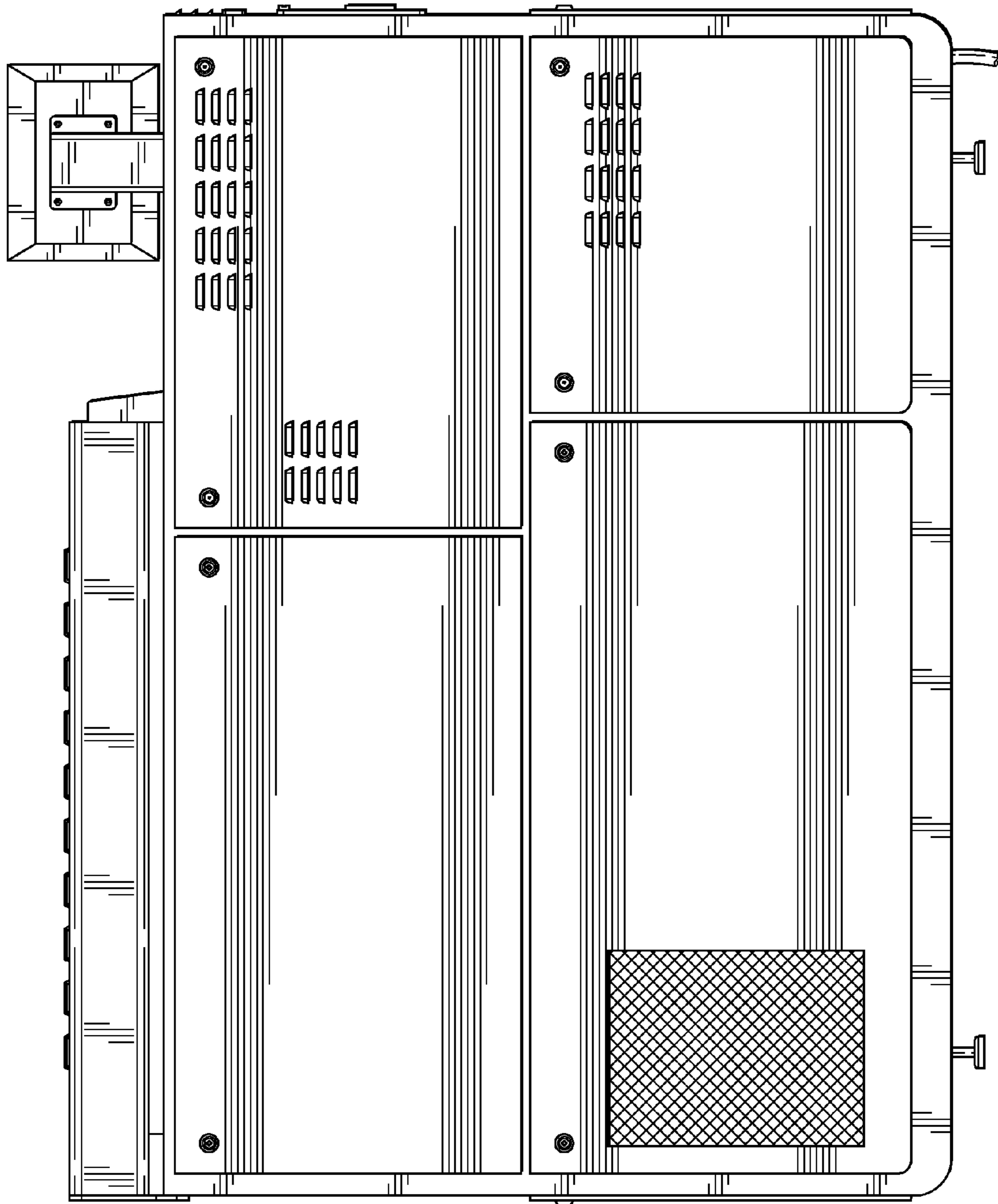


Fig. 5

Fig. 6

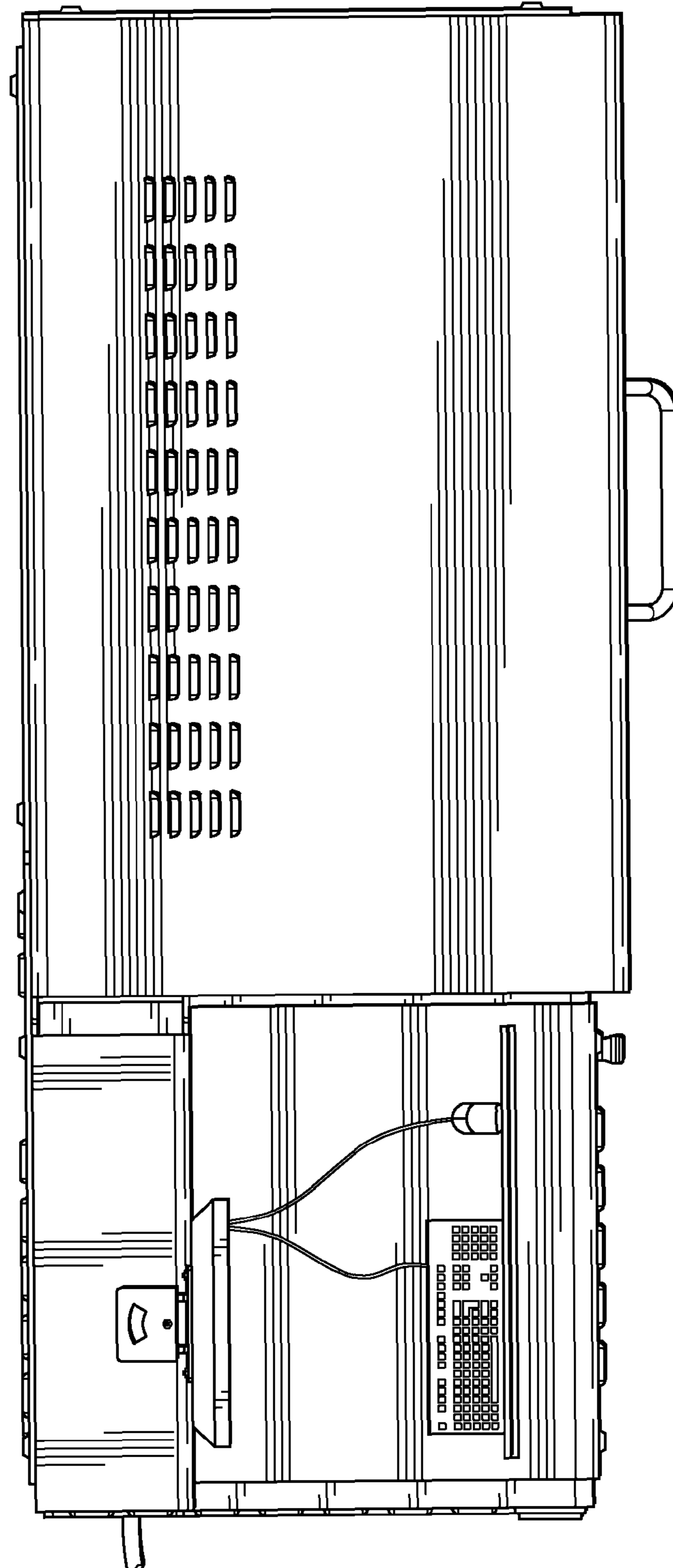


Fig. 7

