



US00D642938S

(12) **United States Design Patent**
Lassigne

(10) **Patent No.:** **US D642,938 S**

(45) **Date of Patent:** **** Aug. 9, 2011**

(54) **WATCH CASE**

(76) **Inventor:** **Patrick Joseph Lassigne, Portalban (CH)**

(**) **Term:** **14 Years**

(21) **Appl. No.:** **29/324,712**

(22) **Filed:** **Sep. 18, 2008**

(30) **Foreign Application Priority Data**

Apr. 2, 2008 (WO) DM/069 942

(51) **LOC (9) Cl.** **10-02**

(52) **U.S. Cl.** **D10/38; D10/34**

(58) **Field of Classification Search** D10/30-39,
D10/122-132; 368/276, 281, 282, 285
See application file for complete search history.

(56) **References Cited**

U.S. PATENT DOCUMENTS

| | | | | |
|---------------|---------|------------------|-------|-----------|
| D23,265 S * | 5/1894 | Durand | | D10/34 |
| D23,268 S * | 5/1894 | Durand | | D10/34 |
| D46,040 S * | 7/1914 | Austin | | D10/32 |
| 1,232,825 A * | 7/1917 | Megurowsky | | 24/265 WS |
| D65,351 S * | 7/1924 | Reichenberg | | D10/37 |
| 2,385,234 A * | 9/1945 | Schmitz | | 368/288 |
| 2,473,226 A * | 6/1949 | Sheldon | | 224/219 |
| D188,062 S * | 5/1960 | Pretat | | D10/38 |
| D195,421 S * | 6/1963 | Huguenin | | D10/39 |
| D260,494 S * | 9/1981 | Dinh Van | | D10/39 |
| D293,084 S * | 12/1987 | Eddings | | D10/34 |
| D303,767 S * | 10/1989 | Baird et al. | | D10/30 |
| 4,903,253 A * | 2/1990 | Nikles et al. | | 368/282 |
| D313,939 S * | 1/1991 | Benoit-Pequignet | | D10/32 |
| D314,153 S * | 1/1991 | Ratajski | | D10/32 |
| D314,154 S * | 1/1991 | Dumas | | D10/39 |
| D315,311 S * | 3/1991 | Ratajski | | D10/32 |
| D322,762 S * | 12/1991 | Muller | | D10/32 |
| D324,653 S * | 3/1992 | Mandelli | | D10/34 |
| D324,654 S * | 3/1992 | Mandelli | | D10/34 |
| D325,703 S * | 4/1992 | Chodat | | D10/34 |
| D356,960 S * | 4/1995 | Courteault | | D10/39 |
| D410,852 S * | 6/1999 | Riley | | D10/30 |
| D454,076 S * | 3/2002 | Baroche | | D10/31 |
| D457,074 S * | 5/2002 | Berri et al. | | D10/30 |

| | | | | |
|--------------|---------|----------------|-------|--------|
| D476,581 S * | 7/2003 | Calvani et al. | | D10/30 |
| D539,175 S * | 3/2007 | Bolt et al. | | D10/39 |
| D551,093 S * | 9/2007 | Hegi | | D10/31 |
| D573,041 S * | 7/2008 | Lulic | | D10/39 |
| D604,643 S * | 11/2009 | Ahlstrom | | D10/31 |

* cited by examiner

Primary Examiner — Lucy Lieberman

(74) *Attorney, Agent, or Firm* — McGlew and Tuttle, P.C.

(57) **CLAIM**

The ornamental design for a watch case, as shown and described.

DESCRIPTION

FIG. 1 is a top perspective view of my new watch case design, portions shown in broken lines do not form a part of the claimed design;

FIG. 2 is a bottom perspective view thereof;

FIG. 3 is right side perspective view thereof;

FIG. 4 is a left side perspective view thereof;

FIG. 5 is rear end perspective view thereof;

FIG. 6 is a top right side perspective view thereof, showing the hinged bezel in an open state;

FIG. 7 is a top front end perspective view thereof, showing the hinged bezel in an open state;

FIG. 8 is a top left side perspective view thereof, showing the hinged bezel in an open state;

FIG. 9 is a rear end perspective view thereof, showing the hinged bezel in an open state;

FIG. 10 is a left side perspective view thereof, showing the hinged bezel in an open state;

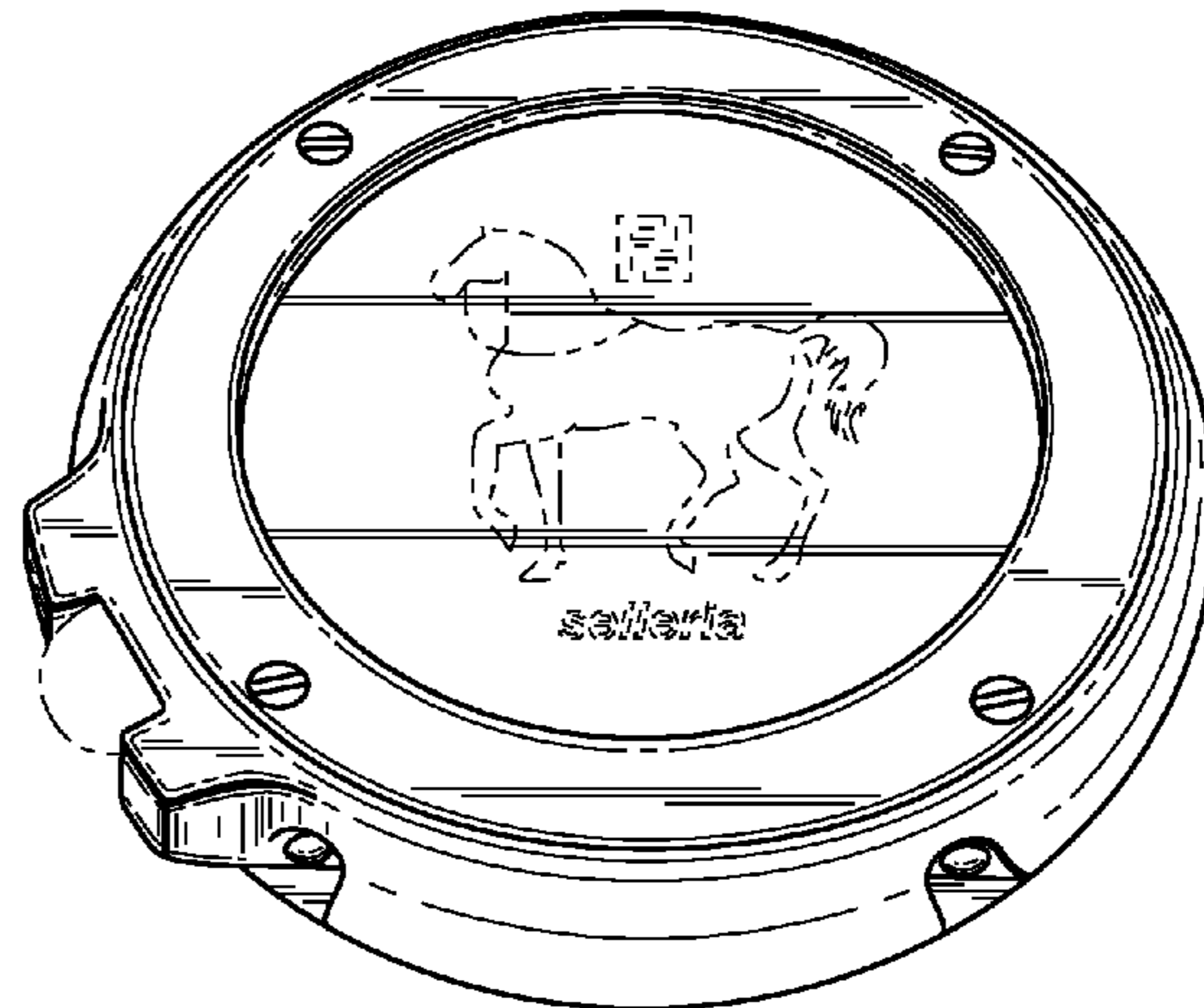
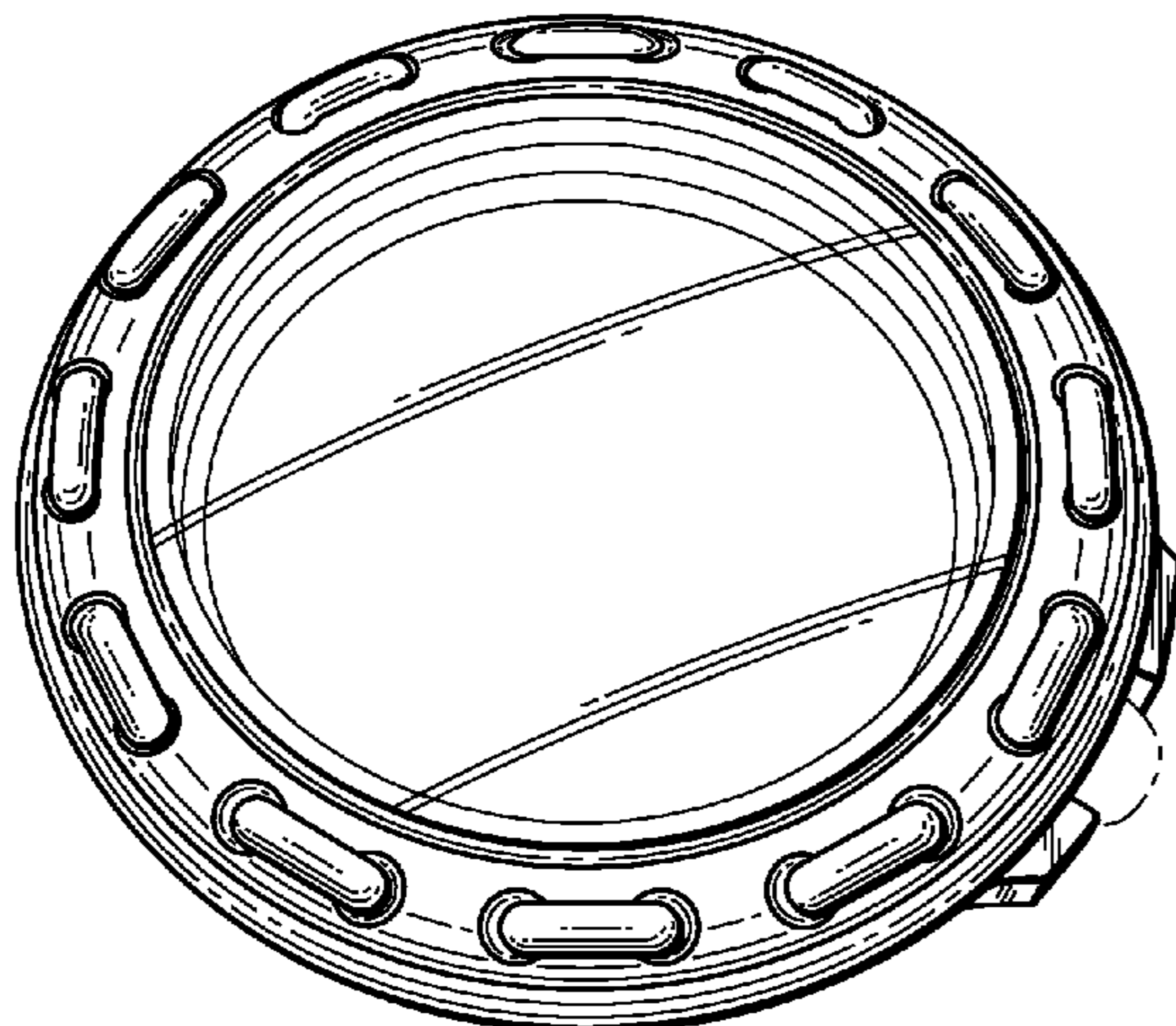
FIG. 11 is a front end view thereof, showing the hinged bezel in an open state;

FIG. 12 is a right side perspective view thereof, showing the hinged bezel in an open state; and,

FIG. 13 is a top right side perspective view thereof, showing the hinged bezel in an open state.

The crown that is shown in broken lines in the drawings does not form part of the claimed design. The broken lines showing the indicia on the bottom of the watch case in FIG. 2 also do not form part of the claimed design.

1 Claim, 7 Drawing Sheets



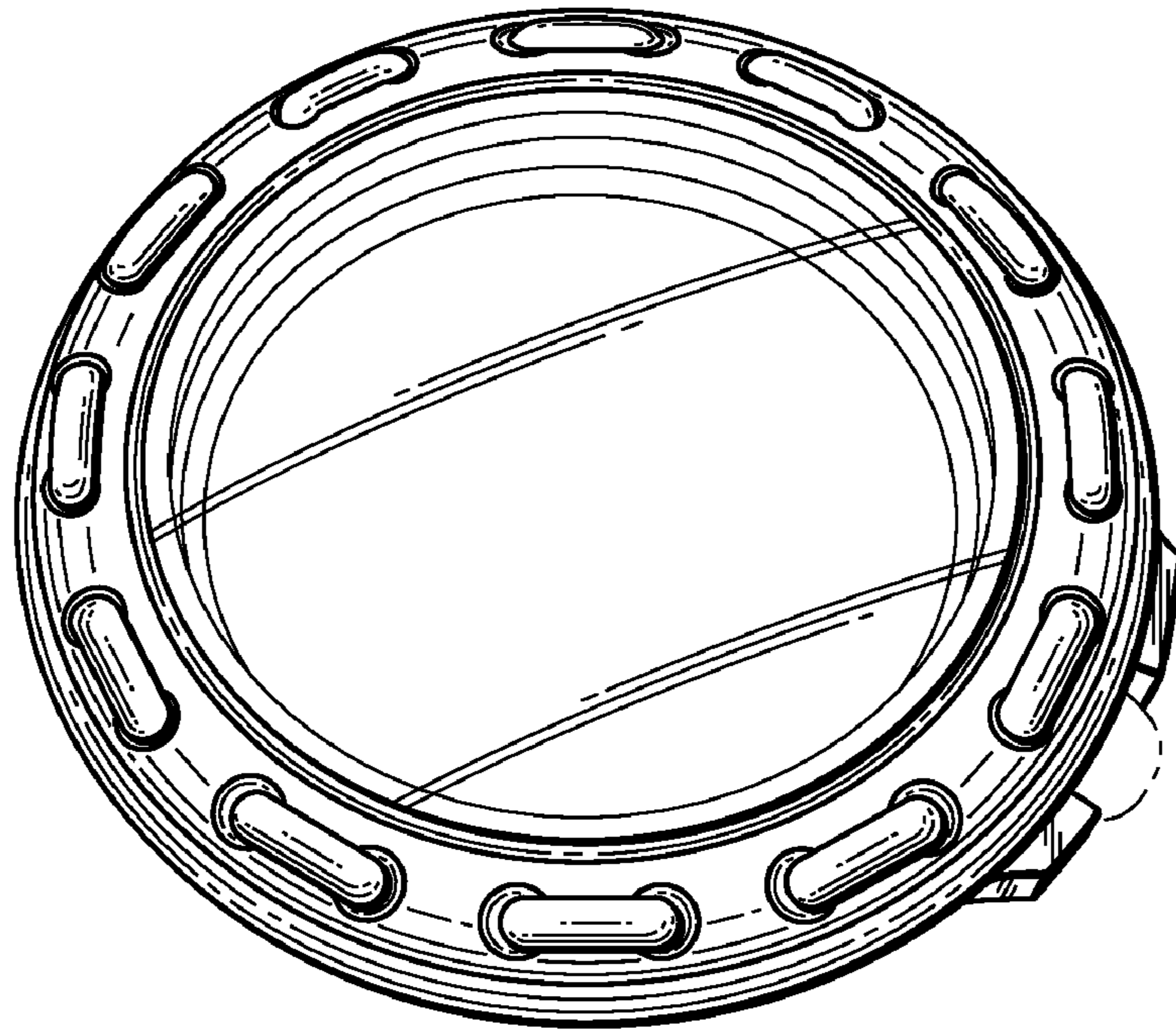


FIG. 1

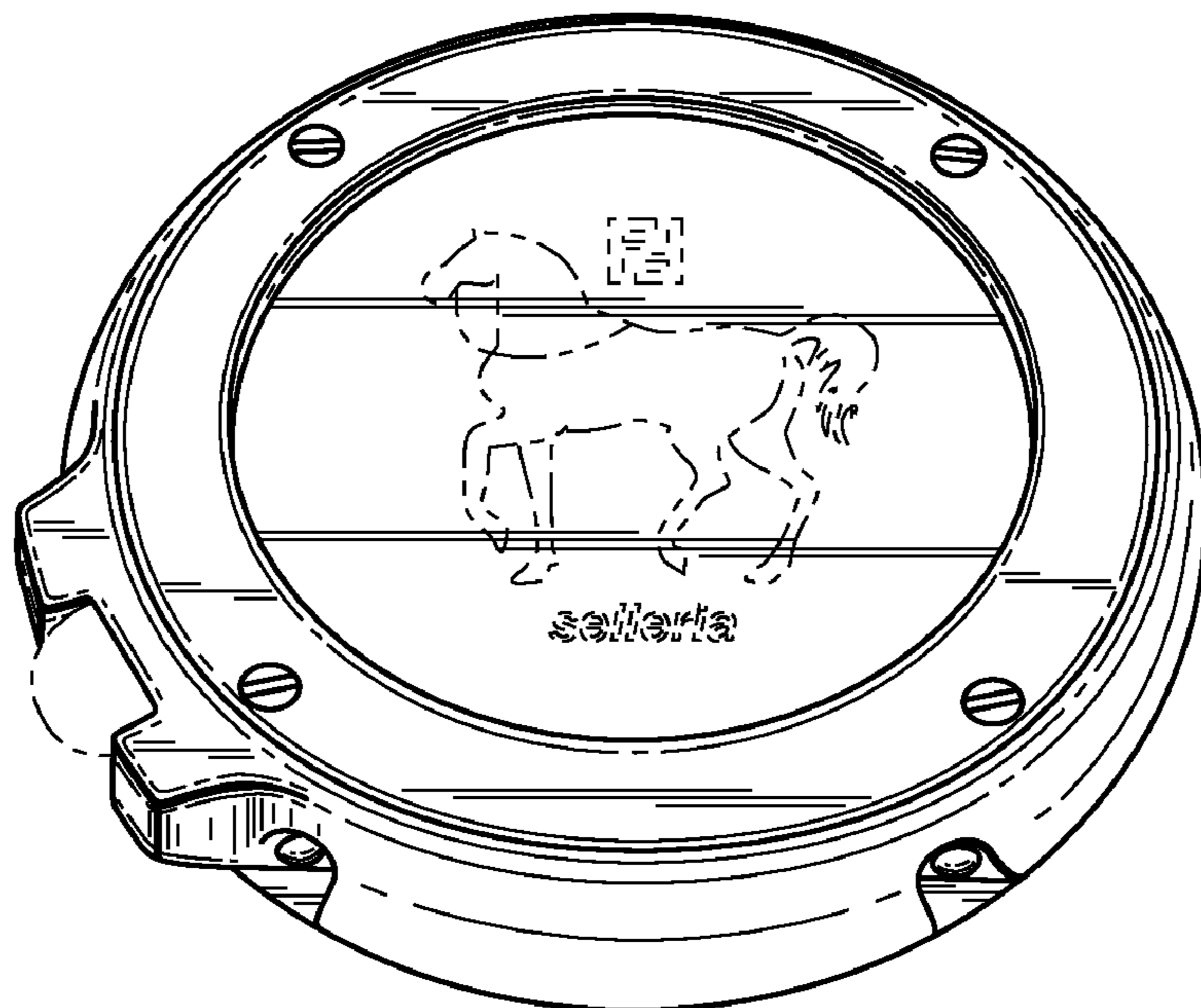


FIG. 2

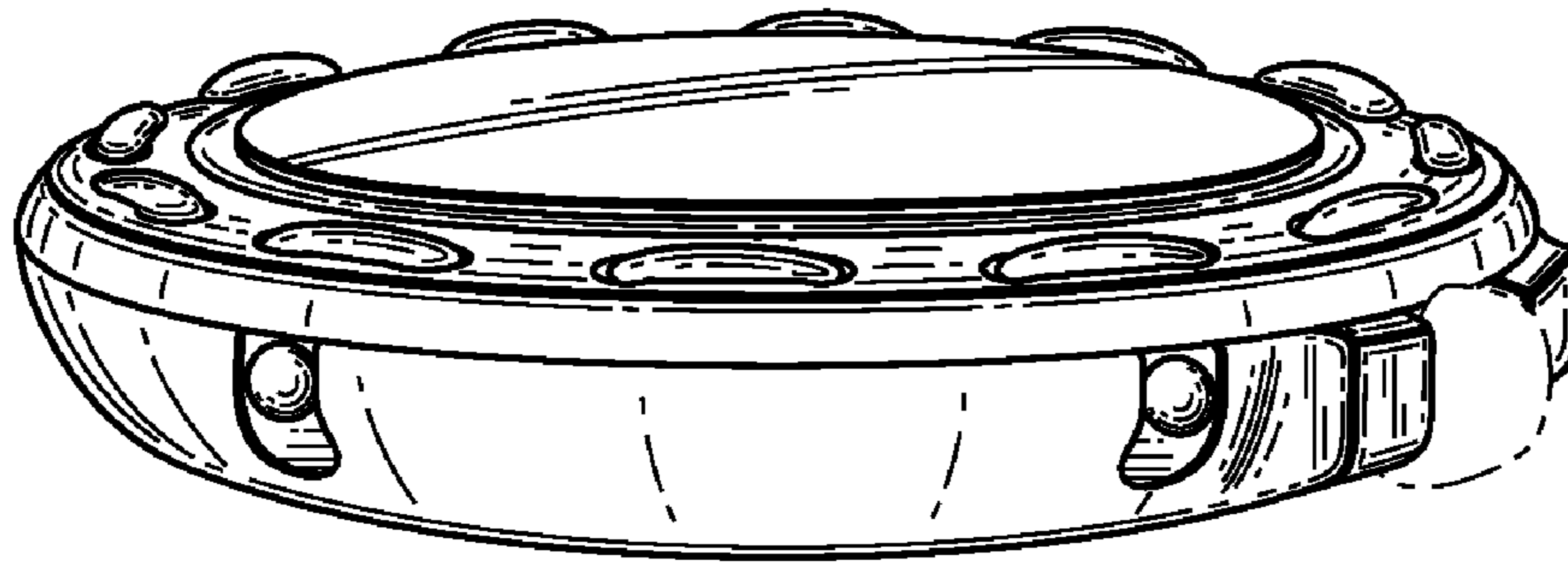


FIG. 3

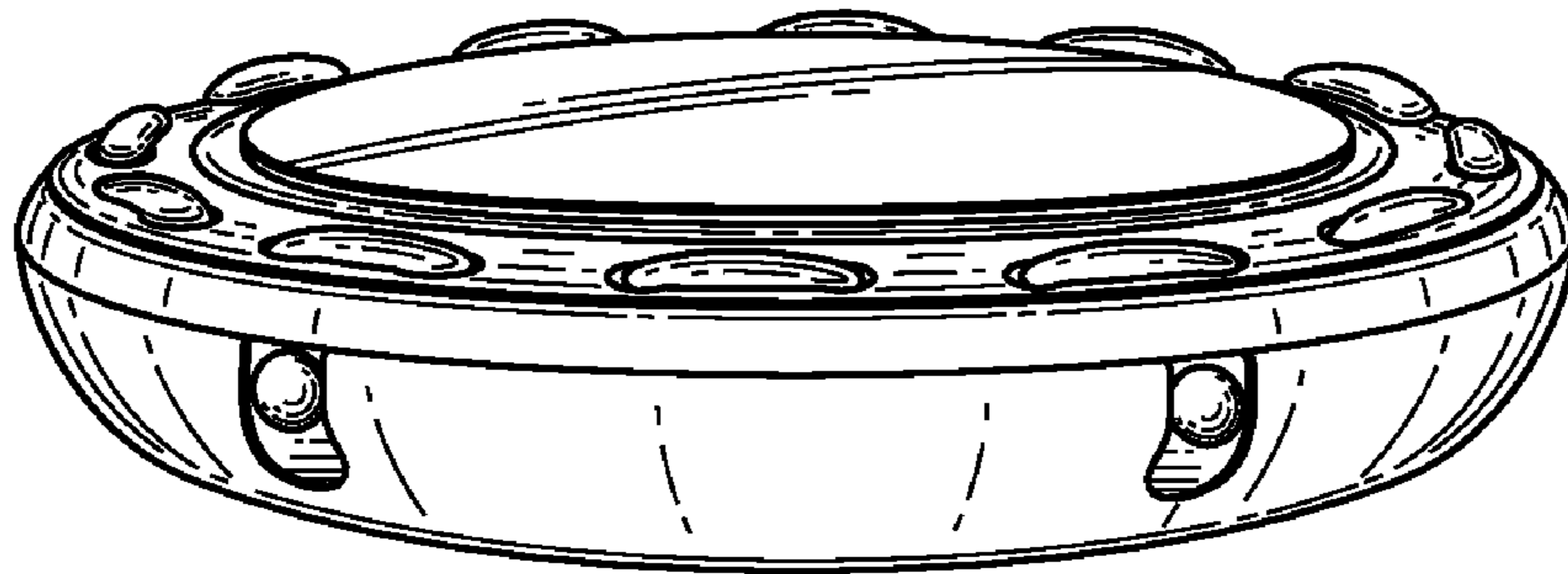


FIG. 4

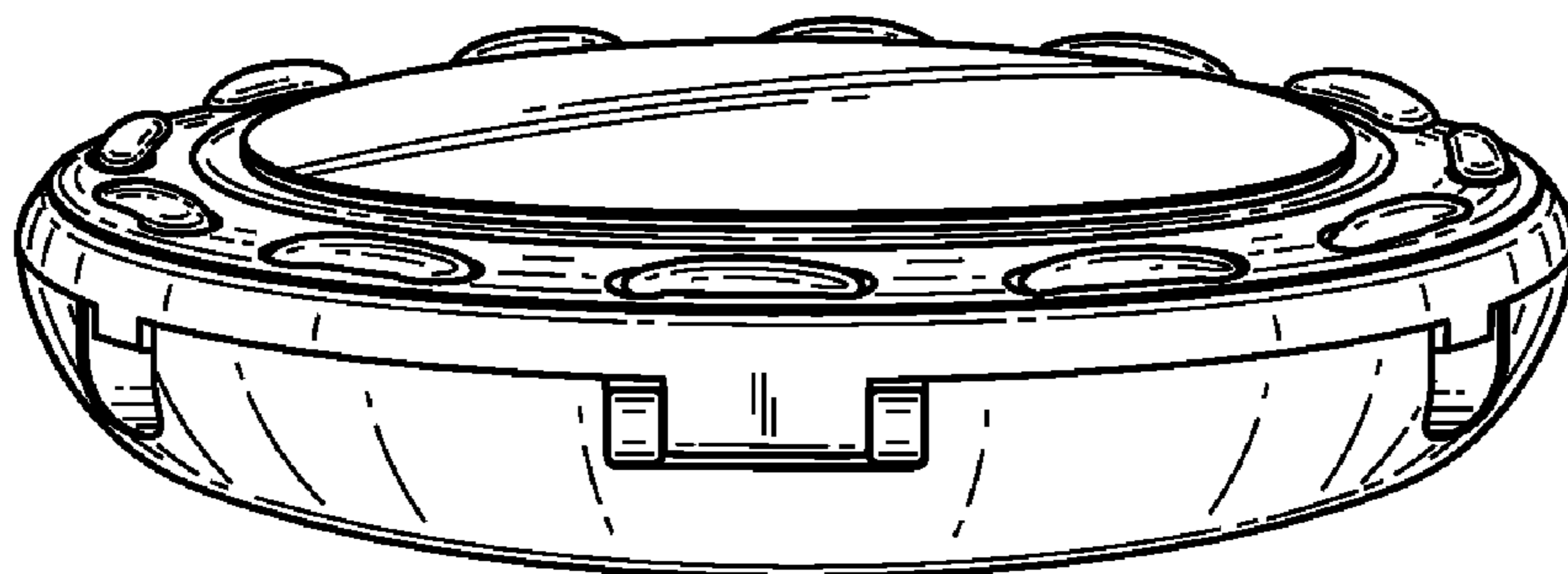


FIG. 5

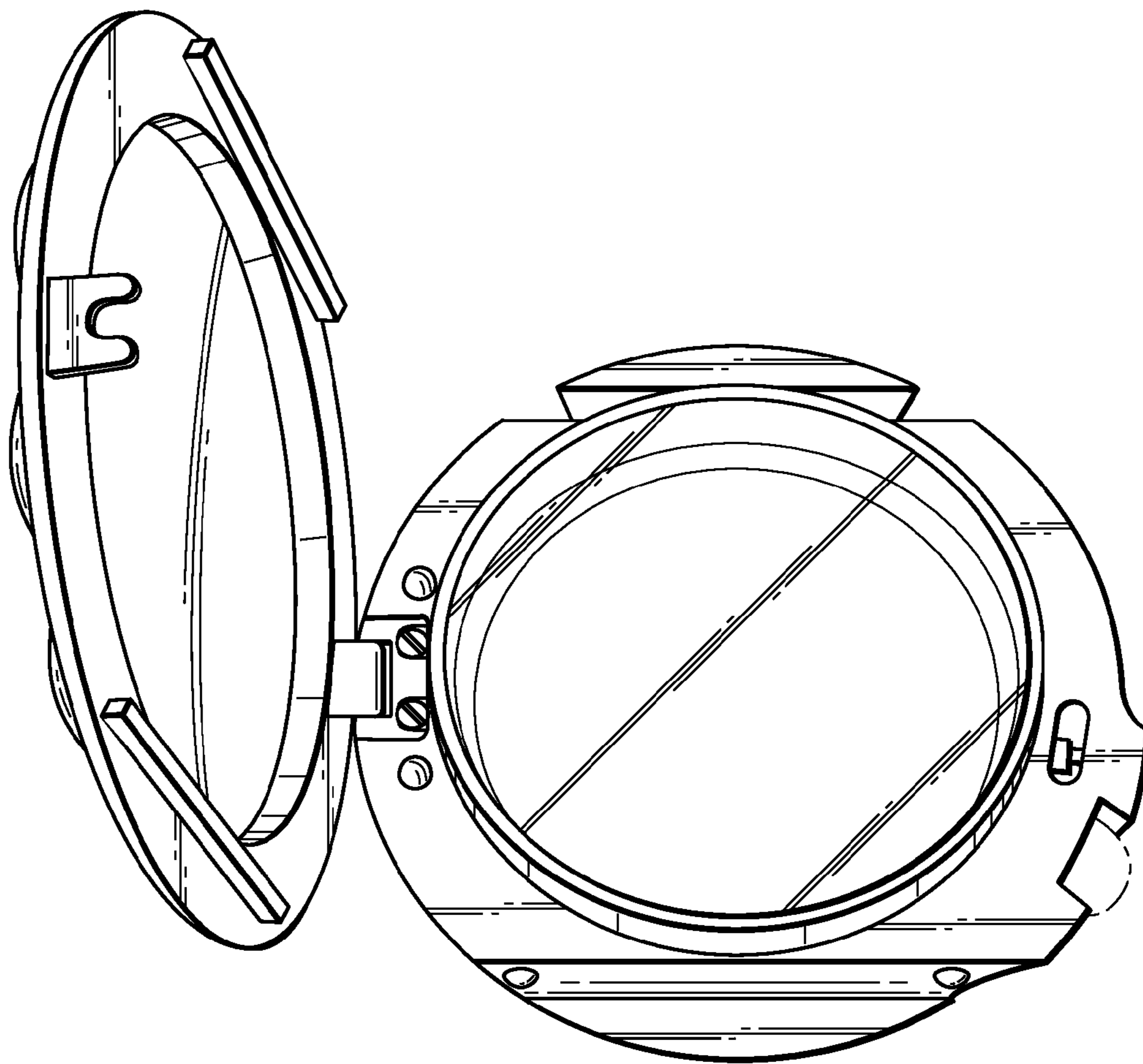


FIG. 6

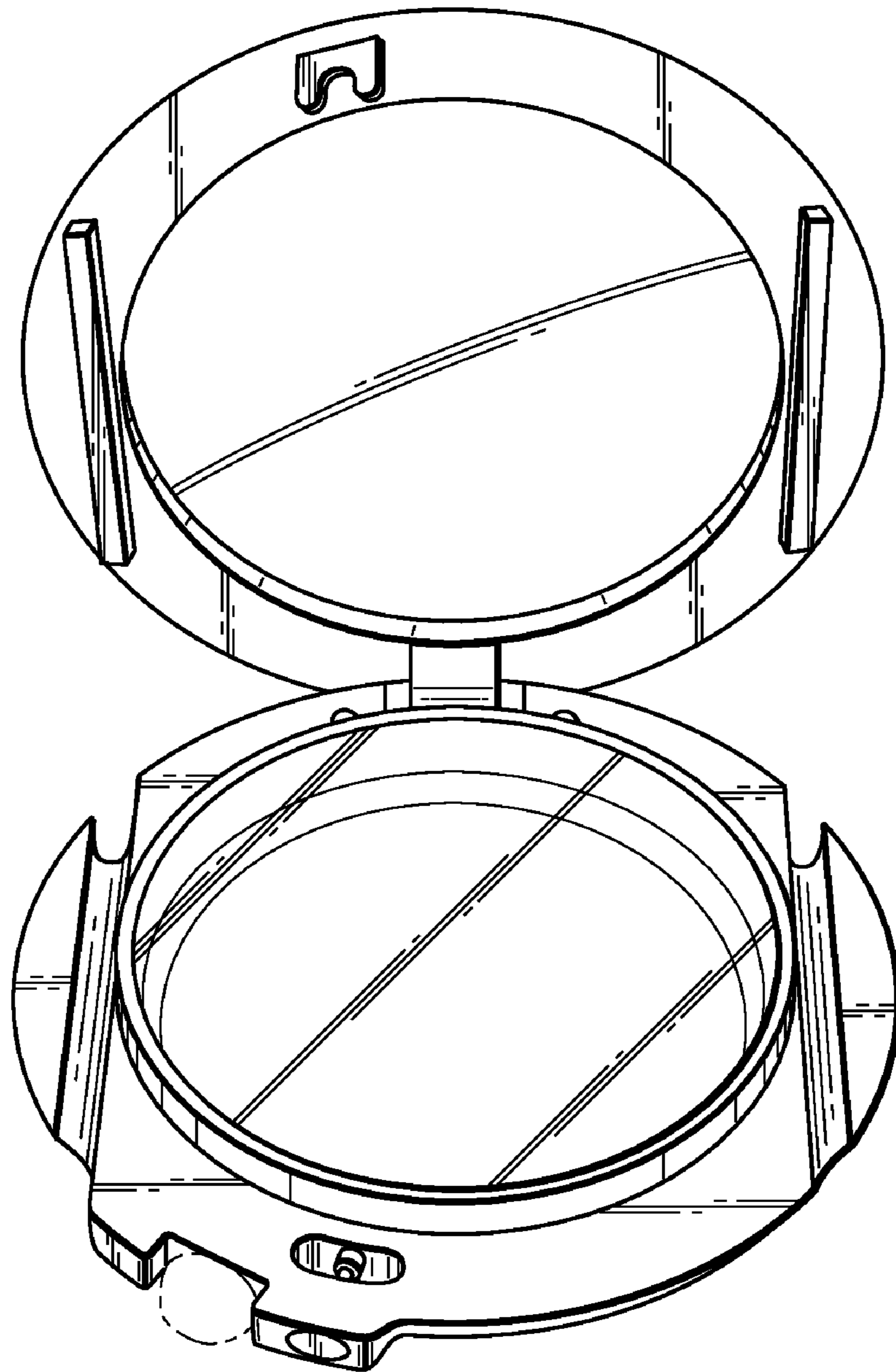


FIG. 7

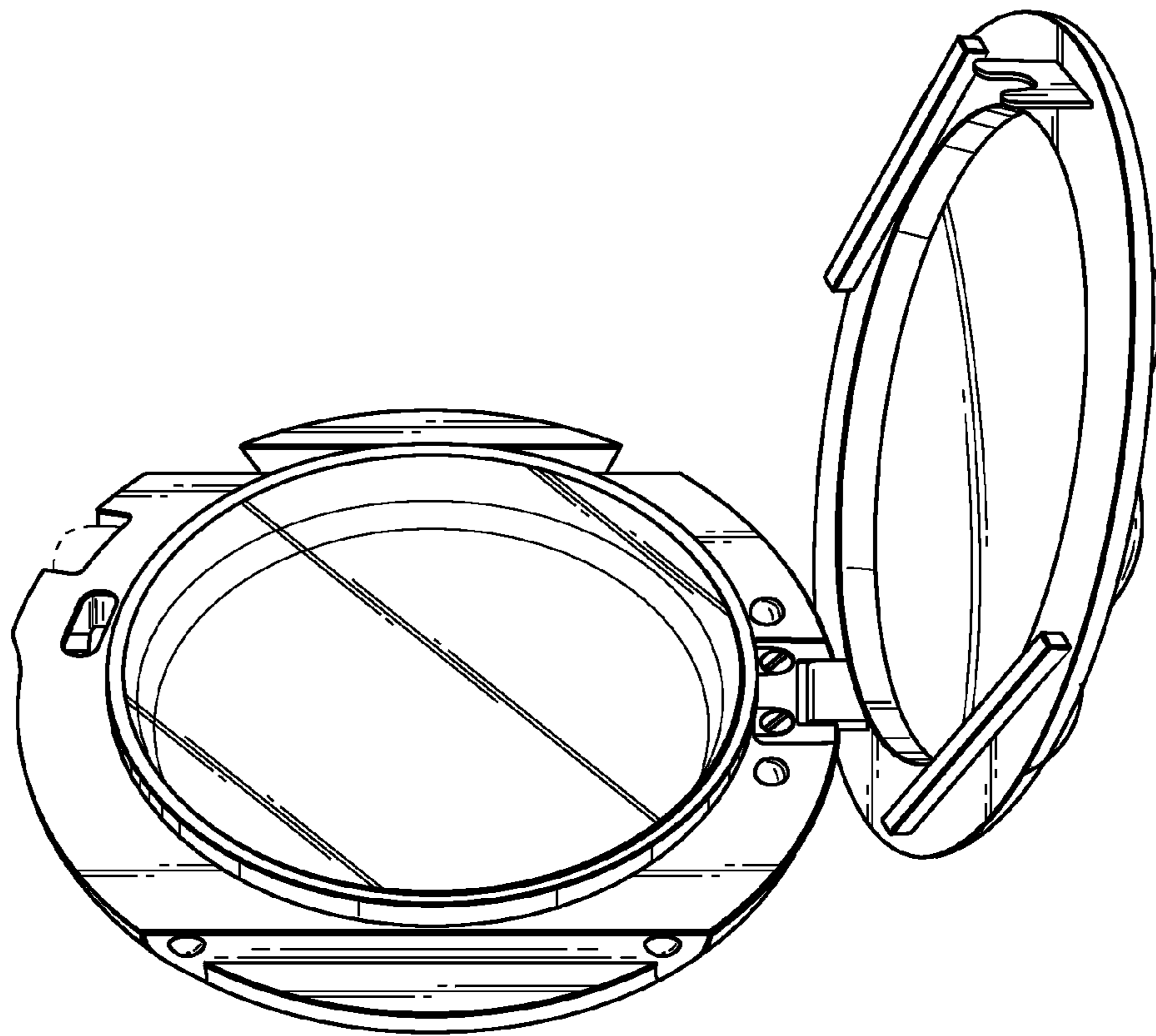


FIG. 8

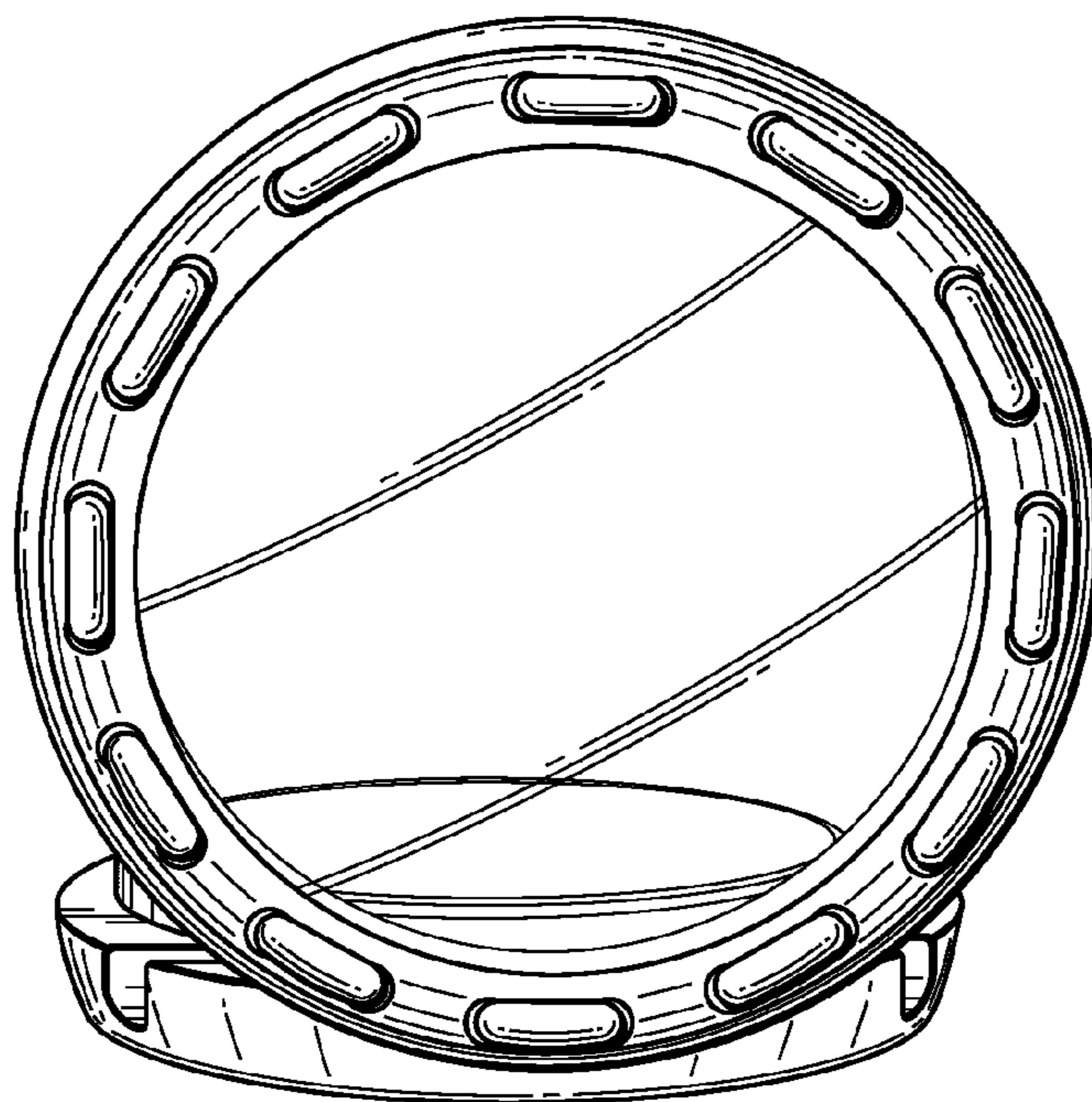


FIG. 9

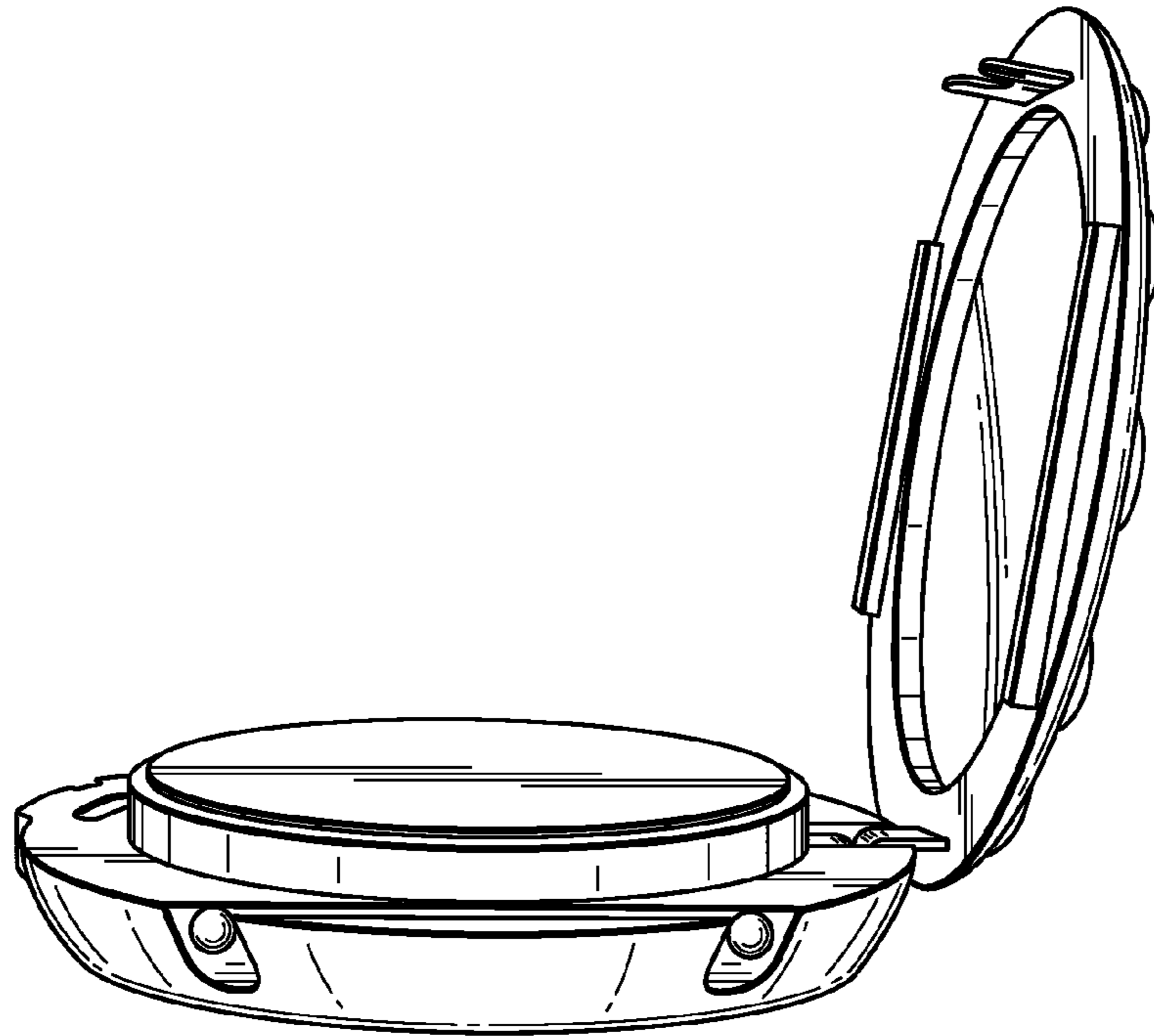


FIG. 10

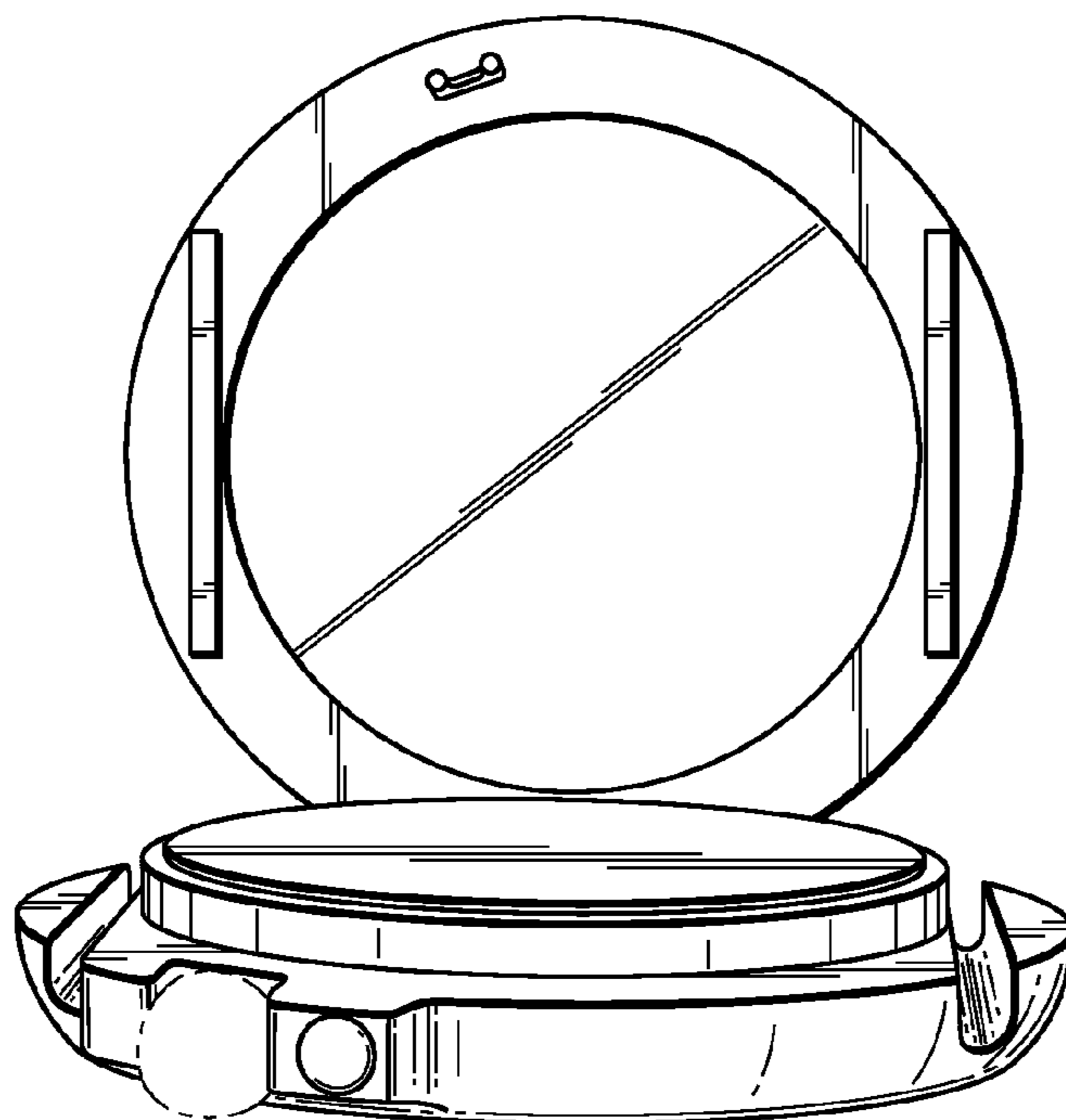


FIG. 11

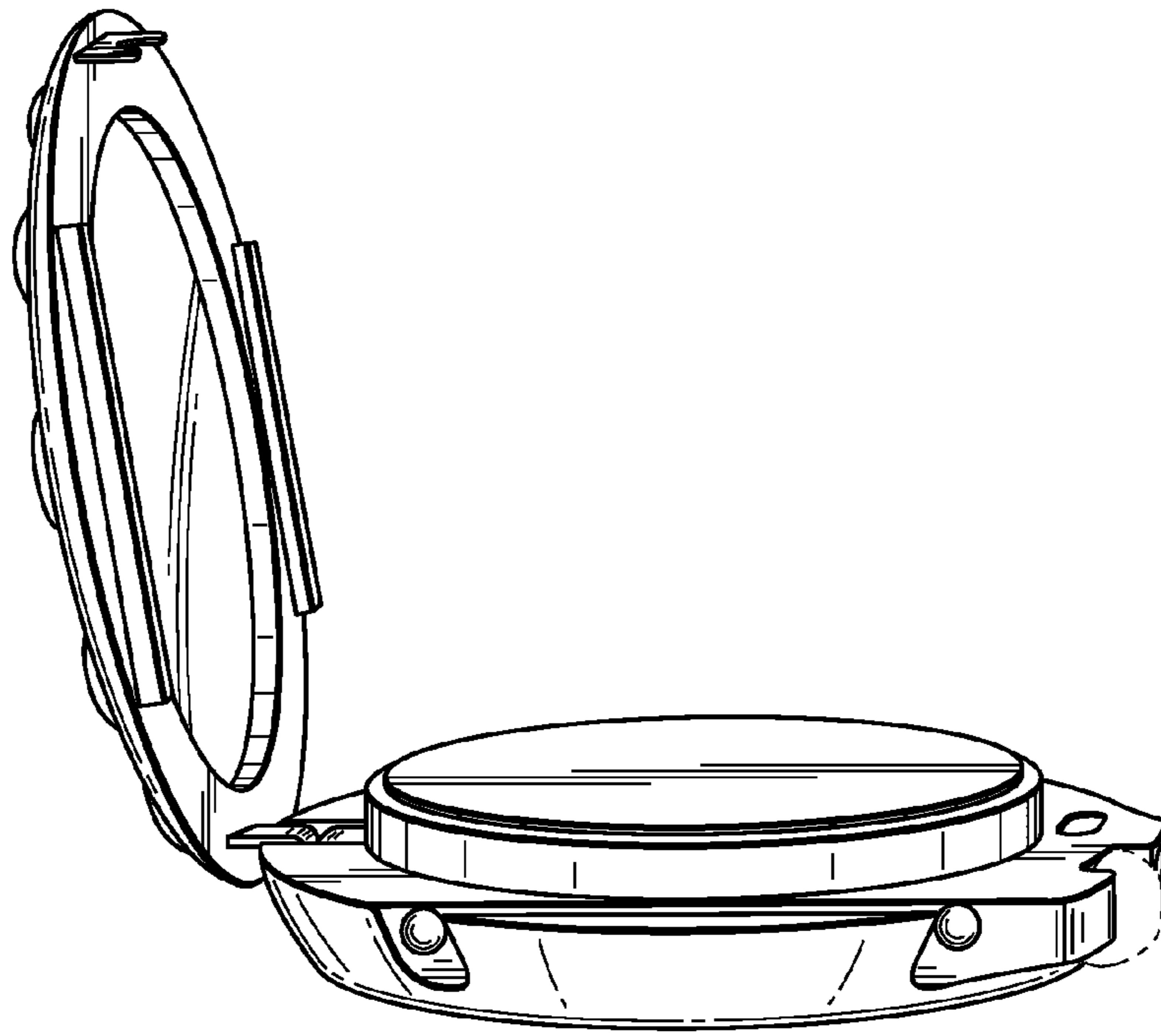


FIG. 12

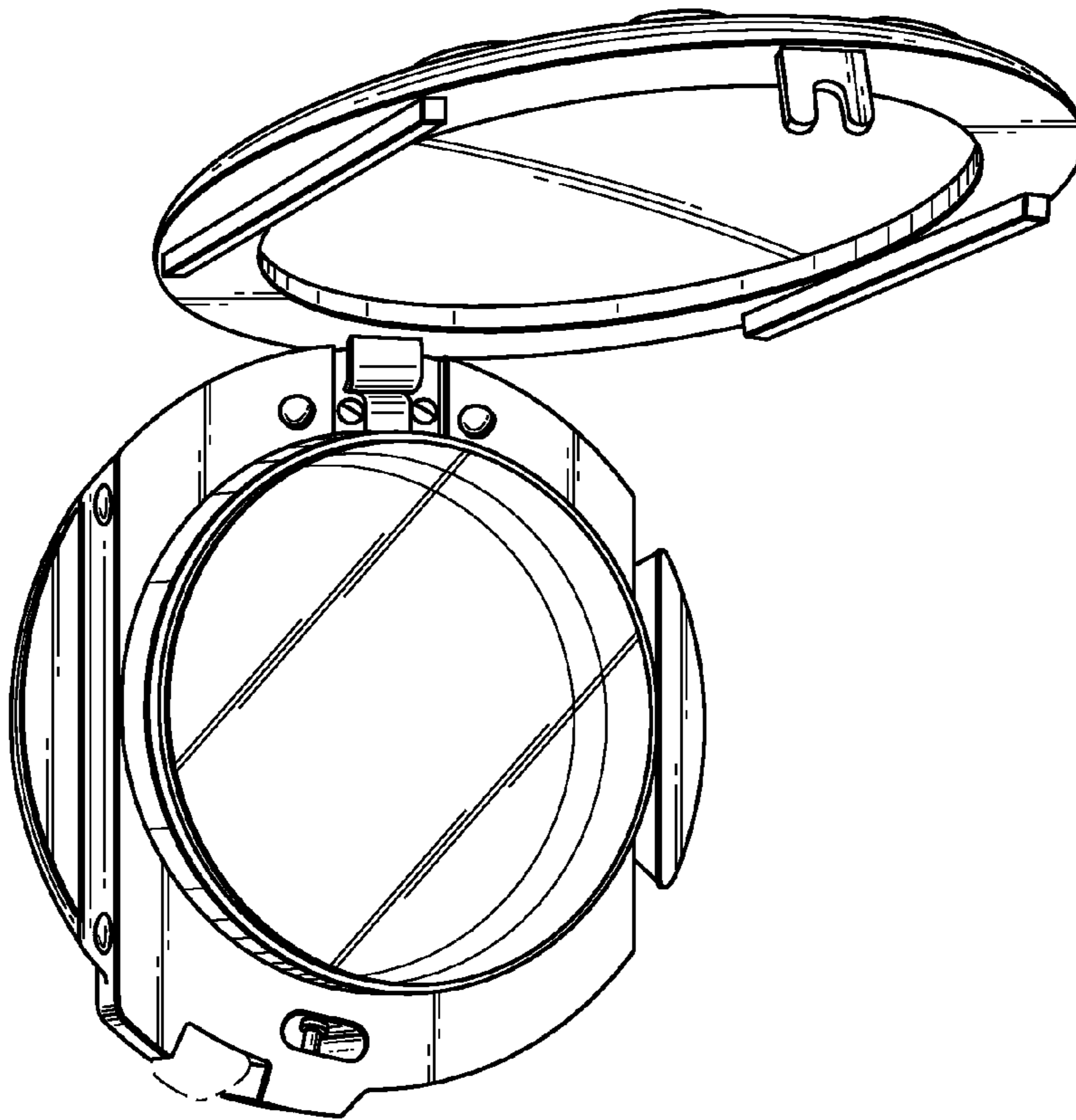


FIG. 13