



US00D642936S

(12) **United States Design Patent**  
**Hoppner et al.**

(10) **Patent No.:** **US D642,936 S**

(45) **Date of Patent:** **\*\* Aug. 9, 2011**

(54) **PACKAGED TRANSACTION CARD**

(75) Inventors: **Julie E. Hoppner**, Minneapolis, MN  
(US); **Abby L. Meyerson**, Brooklyn, NY  
(US); **Ted C. Halbur**, Lino Lakes, MN  
(US); **Robert W. Ash**, Andover, MN  
(US)

(73) Assignee: **Target Brands, Inc.**, Minneapolis, MN  
(US)

(\*\*) Term: **14 Years**

(21) Appl. No.: **29/369,157**

(22) Filed: **Sep. 2, 2010**

**Related U.S. Application Data**

(62) Division of application No. 29/346,477, filed on Oct. 31, 2009, now Pat. No. Des. 624,814.

(51) **LOC (9) Cl.** ..... **09-03**

(52) **U.S. Cl.** ..... **D9/722; D9/415**

(58) **Field of Classification Search** ..... D9/702,  
D9/703, 705, 707, 709, 715, 415, 418, 421,  
D9/432, 433, 457; 383/103, 107, 84, 100,  
383/108; 229/200, 92.8, 87.06; 426/106;  
206/308.1, 449, 454, 555, 756, 762; 235/380,  
235/486, 487; 283/107, 51, 57, 61, 62, 74;  
40/124.01, 124.06, 124.191, 638, 43; 53/460;  
D19/9, 10

See application file for complete search history.

(56) **References Cited**

**U.S. PATENT DOCUMENTS**

D263,449 S 3/1982 Jarund  
D320,159 S 9/1991 Wallach  
5,740,915 A 4/1998 Williams  
D394,387 S 5/1998 Williams  
5,791,474 A 8/1998 Hansen  
D405,116 S 2/1999 Anderson, II  
6,109,439 A 8/2000 Goade, Sr.

6,543,809 B1 4/2003 Kistner et al.  
D479,688 S 9/2003 Kumakura et al.  
D540,665 S 4/2007 Gupta et al.  
D559,905 S 1/2008 Halbur et al.  
D565,404 S 4/2008 Doherty  
D599,849 S 9/2009 Halbur et al.  
D622,587 S \* 8/2010 Schumann et al. .... D9/415  
D623,520 S \* 9/2010 Levy ..... D9/457  
D623,944 S \* 9/2010 Levy et al. .... D9/457  
D623,945 S \* 9/2010 Levy ..... D9/457  
D624,814 S \* 10/2010 Hoppner et al. .... D9/415  
D631,911 S \* 2/2011 Irwin, Jr. .... D19/10

(Continued)

**OTHER PUBLICATIONS**

“Identification/Credit/Debit Card,” U.S. Appl. No. 29/286,082, filed Apr. 23, 2007 and Replacement Drawings as filed on Apr. 29, 2008.

(Continued)

*Primary Examiner* — Thomas Johannes

(74) *Attorney, Agent, or Firm* — Griffiths & Seaton PLLC

(57) **CLAIM**

The ornamental design for a packaged transaction card, as shown and described.

**DESCRIPTION**

FIG. 1 is a front, perspective view of a packaged transaction card showing our new design;

FIG. 2 is a front elevation view thereof;

FIG. 3 is a rear elevation view thereof;

FIG. 4 is a top plan view thereof;

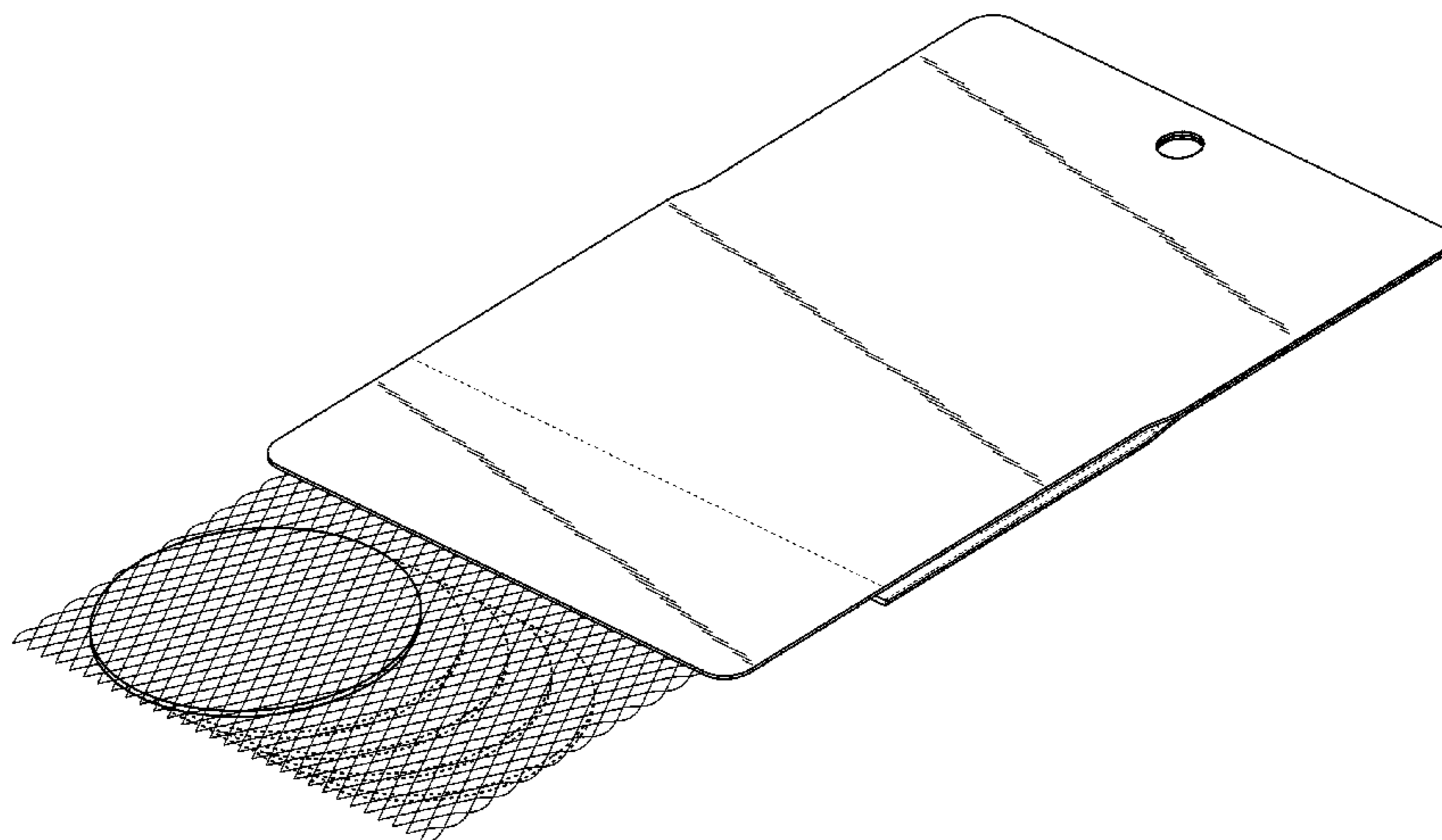
FIG. 5 is a bottom plan view thereof;

FIG. 6 is a right side elevation view thereof, the left side elevation view being a mirror image thereto; and,

FIG. 7 is an enlarged midportion of the right side elevation view of FIG. 6.

The features shown in broken lines show unclaimed subject matter only and form no part of the claimed design.

**1 Claim, 6 Drawing Sheets**



# US D642,936 S

Page 2

---

## U.S. PATENT DOCUMENTS

D636,814 S \* 4/2011 Irwin, Jr. .... D19/10  
D637,228 S \* 5/2011 Irwin, Jr. .... D19/10  
2009/0152366 A1 6/2009 Anderson, II et al.

Swensons, [www.swensonsdriveins.com/gifts.htm](http://www.swensonsdriveins.com/gifts.htm), available at least as early as Apr. 6, 2001 per the Internet archive available at [www.archive.org](http://www.archive.org).

## OTHER PUBLICATIONS

\* cited by examiner

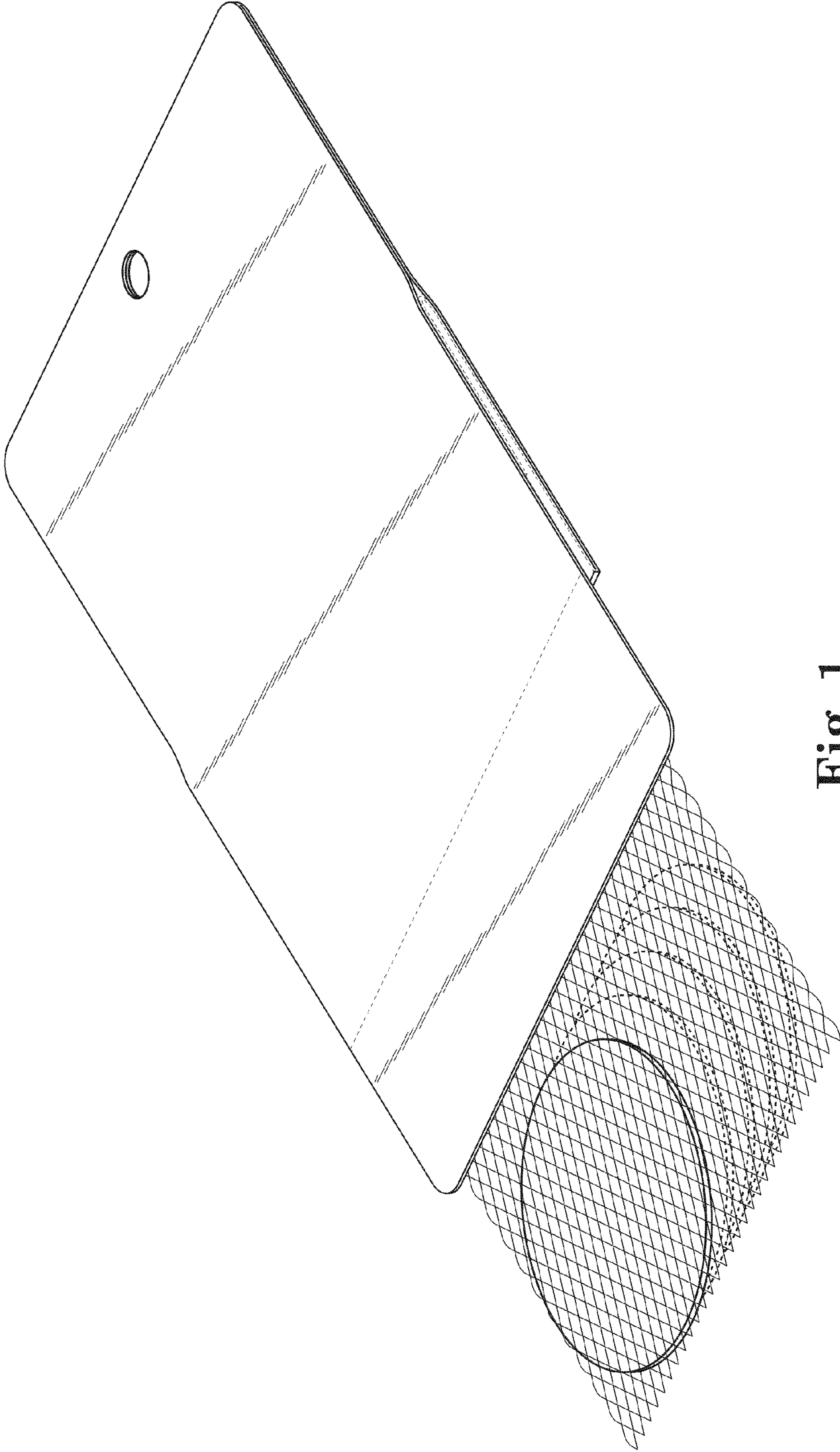
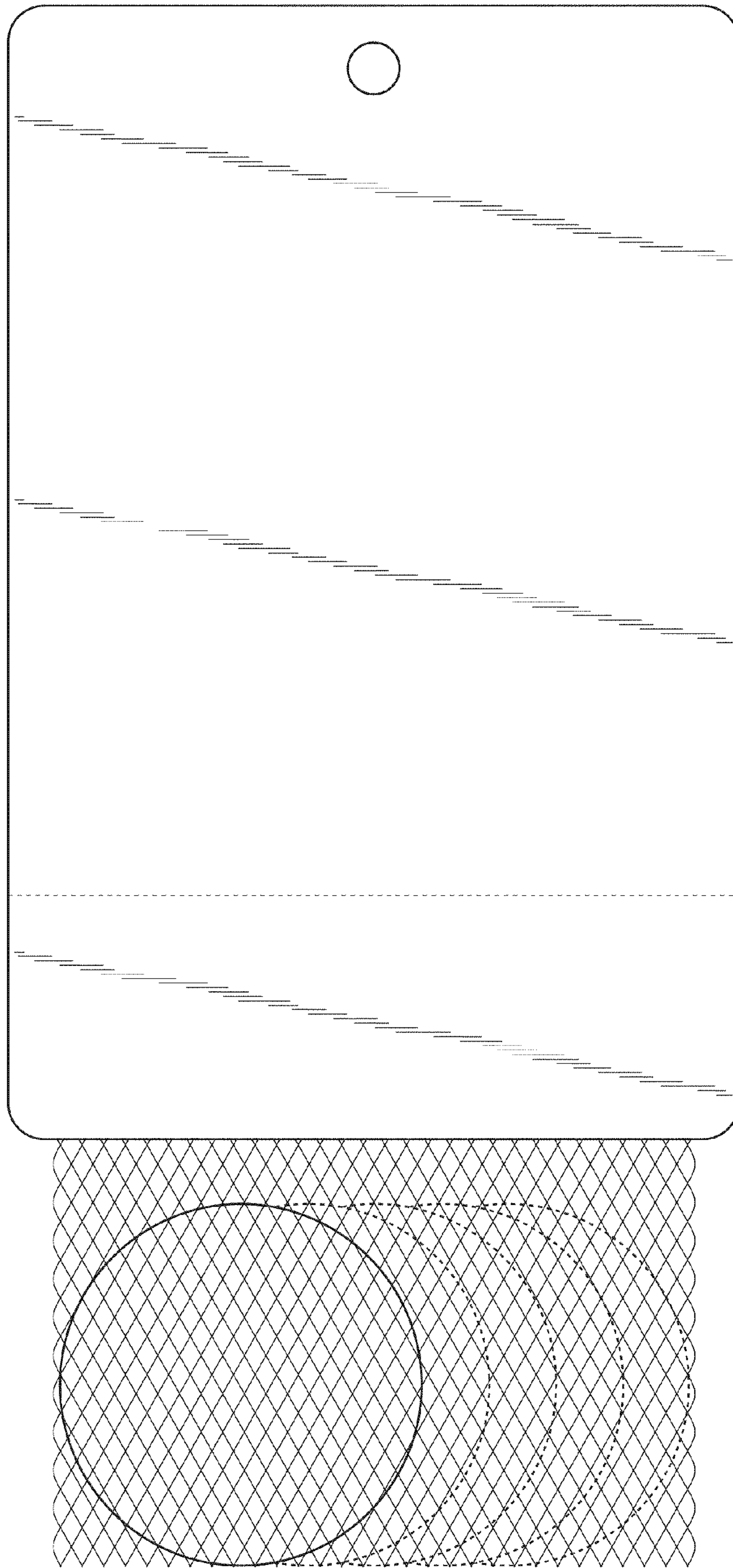
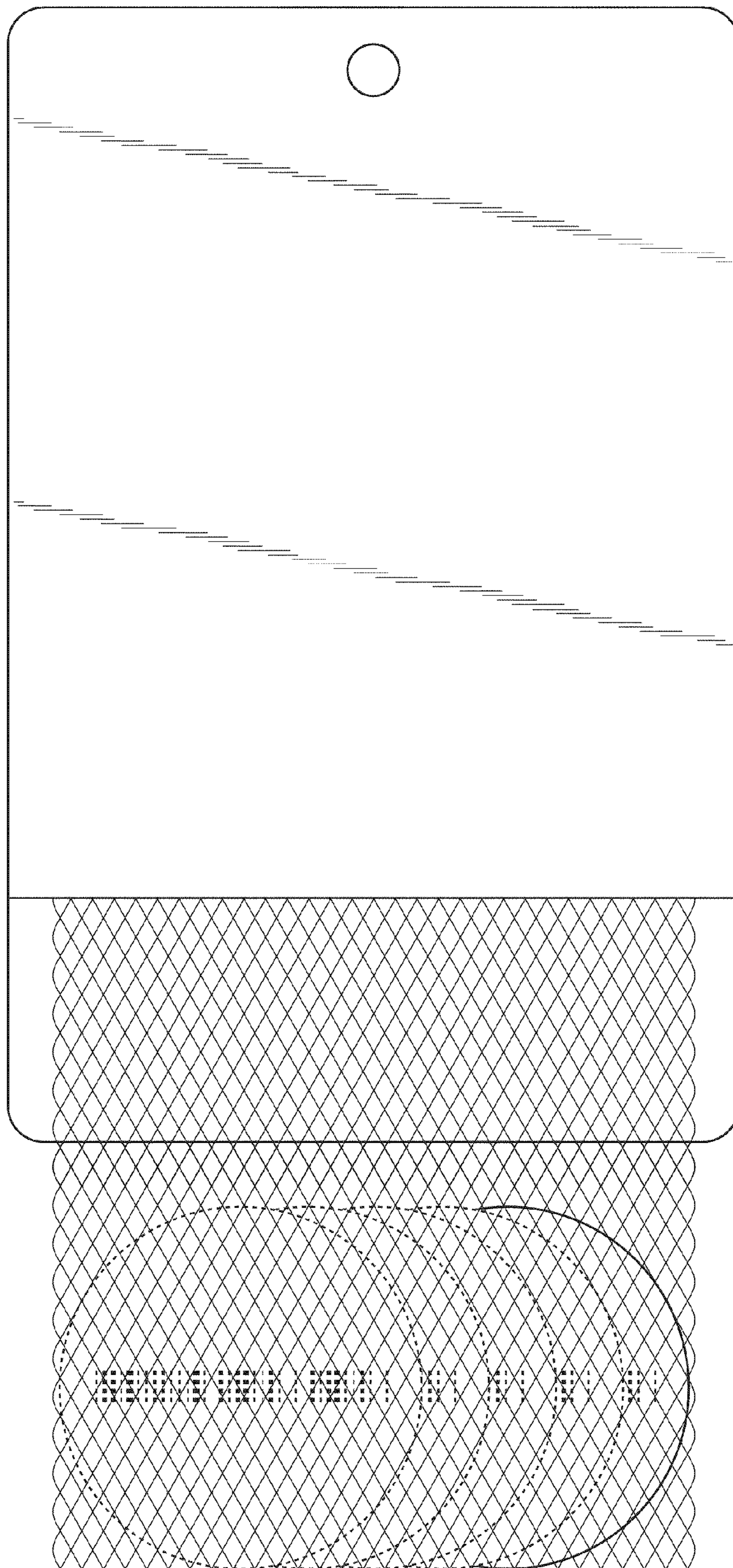


Fig. 1

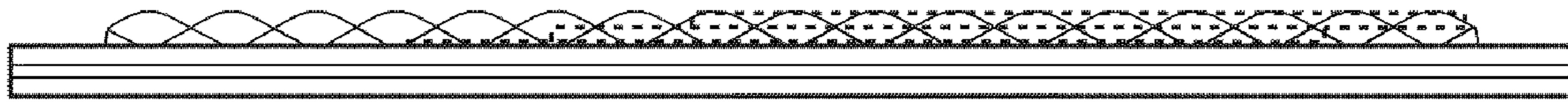




**Fig. 2**



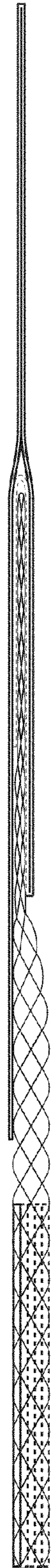
**Fig. 3**



**Fig. 4**

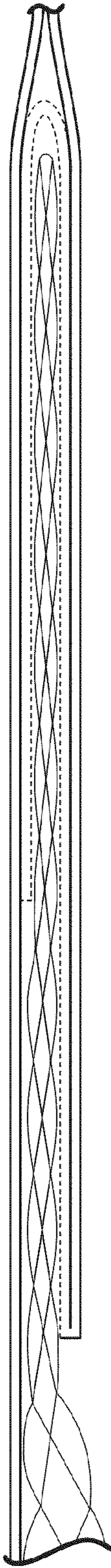


**Fig. 5**



**Fig. 6**





**Fig. 7**