



US00D642935S

(12) **United States Design Patent**
Bergeron et al.

(10) **Patent No.:** **US D642,935 S**

(45) **Date of Patent:** **** Aug. 9, 2011**

(54) **PACKAGING FOR LIPPED CONTAINERS**

(75) Inventors: **John Bergeron**, Winchendon, MA (US);
Frederick Beauregard, Northbridge,
MA (US); **William Eaton**, Woodstock,
CT (US); **James Bates**, Douglas, MA
(US)

(73) Assignees: **United Comb & Novelty, Inc.**,
Leominster, MA (US); **Rand Whitney**
Group, LLC, Worcester, MA (US)

(**) Term: **14 Years**

(21) Appl. No.: **29/385,511**

(22) Filed: **Feb. 15, 2011**

Related U.S. Application Data

(63) Continuation of application No. 12/479,053, filed on
Jun. 5, 2009.

(51) **LOC (9) Cl.** **09-05**

(52) **U.S. Cl.** **D9/711; D9/433**

(58) **Field of Classification Search** D9/702-703,
D9/707, 711, 719, 738-740, 517-518, 522,
D9/416, 444, 435, 460, 455, 499, 414, 433,
D9/415, 418, 420, 422-426, 428, 432; D7/560-562;
206/434, 426-427, 429-430, 485, 485.1,
206/499, 508, 431, 784, 546, 307, 307.1,
206/308.1, 309, 310-313, 751; 229/185,
229/121-122, 200, 207, 236, 87.01; 220/23.83;
D6/516, 407; D19/26-27; 211/40, 41.1,
211/41.2; D3/273, 294, 303, 299-301
See application file for complete search history.

(56) **References Cited**

U.S. PATENT DOCUMENTS

1,337,838 A 4/1920 Hammond et al.
2,335,914 A 12/1943 Buttery

(Continued)

Primary Examiner — Caron D Veynar

Assistant Examiner — Abraham Bahta

(74) *Attorney, Agent, or Firm* — Brian M. Dingman; Mirick,
O'Connell, DeMallie & Lougee, LLP

(57) **CLAIM**

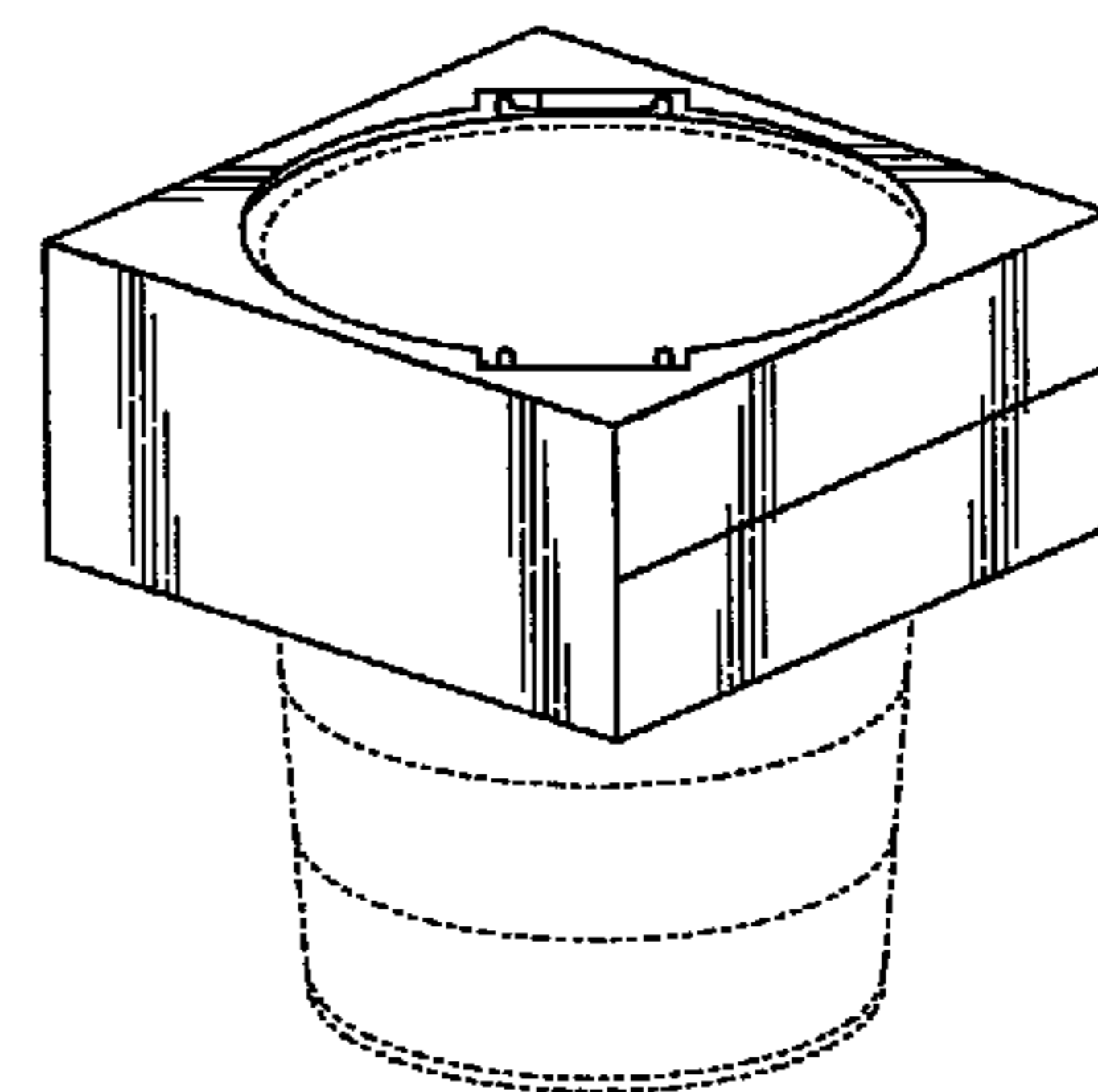
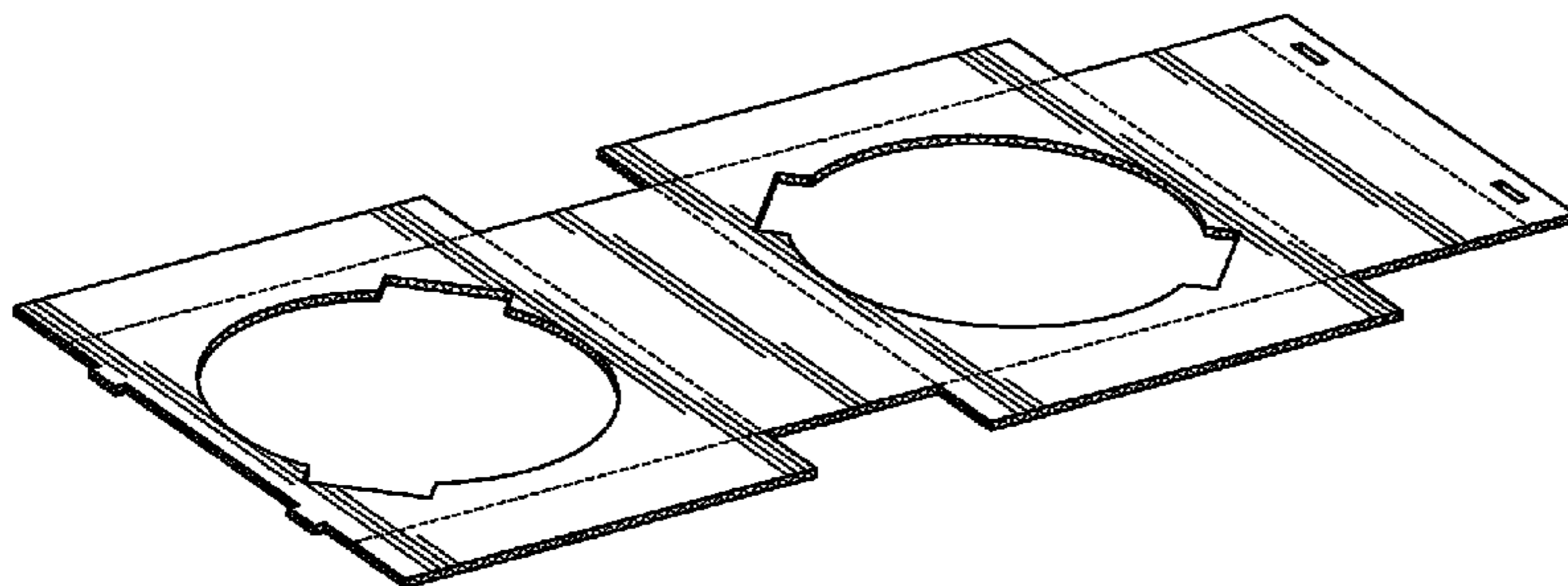
The ornamental design for a packaging for lipped containers,
as shown and described.

DESCRIPTION

FIG. 1 is a perspective view of a packaging for lipped containers in an unfolded state, according to the invention, where the evenly spaced broken lines represent claimed fold lines; FIG. 2 is a top view of the packaging for lipped containers of FIG. 1 in an unfolded state, where the evenly spaced broken lines represent claimed fold lines; FIG. 3 is a bottom view of the packaging for lipped containers of FIG. 1 in an unfolded state, where the evenly spaced broken lines represent claimed fold lines; FIG. 4 is a front view of the packaging for lipped containers of FIG. 1 in an unfolded state; FIG. 5 is a rear view of the packaging for lipped containers of FIG. 1 in an unfolded state; FIG. 6 is a left side view of the packaging for lipped containers of FIG. 1 in an unfolded state; FIG. 7 is a right side view of the packaging for lipped containers of FIG. 1 in an unfolded state; FIG. 8 is a top view of the packaging for lipped containers of FIG. 1 in a folded state; FIG. 9 is a bottom view of the packaging for lipped containers of FIG. 1 in a folded state; FIG. 10 is a perspective view of two of the packaging for lipped containers of FIG. 1, each in a folded state, with the lipped container, which is shown in phantom and forms no part of the claimed design; and, FIG. 11 is a perspective view of a packaging for lipped containers of FIG. 1 in a folded state, with the lipped container, which is shown in phantom and forms no part of the claimed design.

The evenly spaced broken lines in the drawings represent claimed fold lines. The phantom lines showing the lipped container(s) are for illustrative purposes only and form no part of the claimed design.

1 Claim, 7 Drawing Sheets



US D642,935 S

Page 2

U.S. PATENT DOCUMENTS

2,654,474	A	10/1953	Ringler				
2,771,216	A	11/1956	Reiner				
2,991,910	A	7/1961	Coe				
3,061,091	A	10/1962	Wichman				
3,563,411	A	2/1971	Carroll				
3,687,281	A *	8/1972	Prot	206/430		
3,948,388	A	4/1976	Mueller				
4,155,450	A *	5/1979	Schillinger	206/434		
4,163,508	A	8/1979	Mannor				
4,482,079	A	11/1984	Kuchenbecker				
4,520,946	A	6/1985	Gould et al.				
4,568,585	A *	2/1986	Kohn et al.	428/48		
5,163,548	A *	11/1992	Domansky	206/158		
5,168,989	A	12/1992	Benno				
5,197,657	A	3/1993	Cassidy et al.				
5,779,135	A	7/1998	Richardson				
5,855,275	A *	1/1999	Hunter et al.	206/429		
5,921,392	A *	7/1999	Davis	206/434		
5,984,086	A	11/1999	Foushee et al.				
6,270,005	B1	8/2001	Enciso				
7,014,044	B1 *	3/2006	Sadlier	206/546		
7,083,046	B2	8/2006	Bakx				
7,377,391	B2	5/2008	Long et al.				
D595,150	S *	6/2009	Cain	D9/711		
D609,087	S *	2/2010	Dreier et al.	D9/430		
D609,513	S *	2/2010	Koennecke et al.	D6/516		
D610,919	S *	3/2010	James	D9/711		
2008/0105736	A1	5/2008	Kalberer				

* cited by examiner

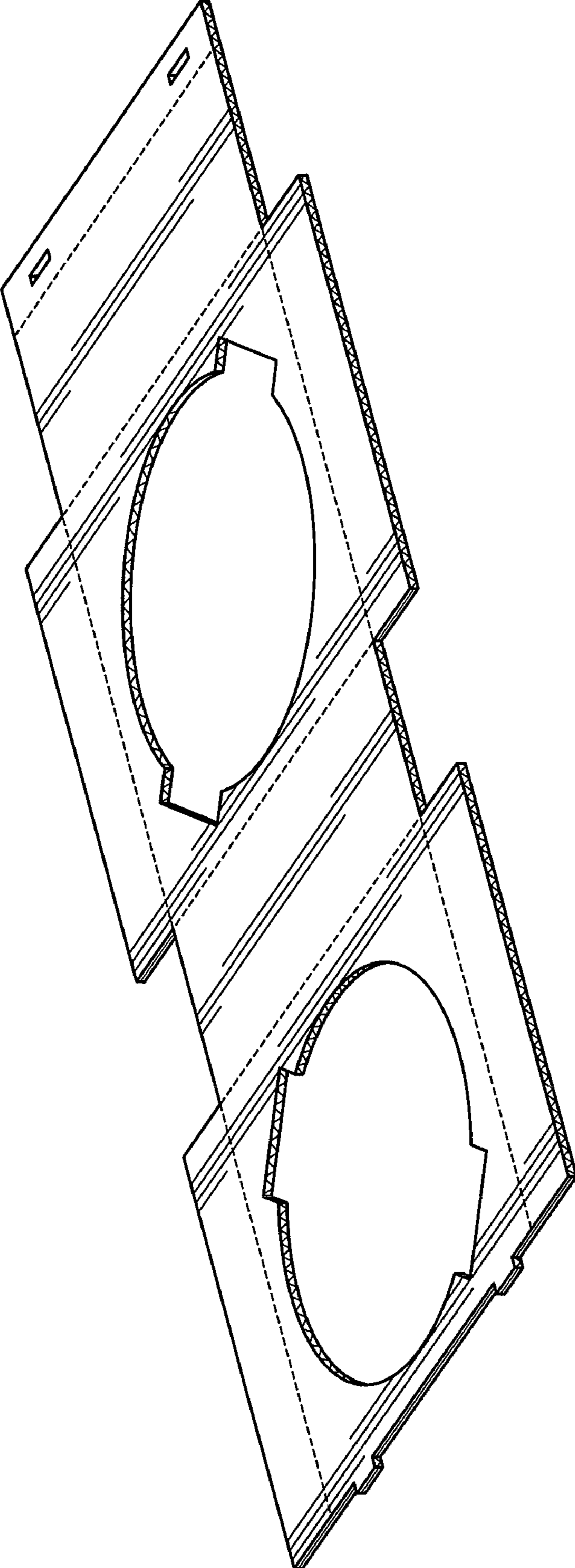


FIG. 1

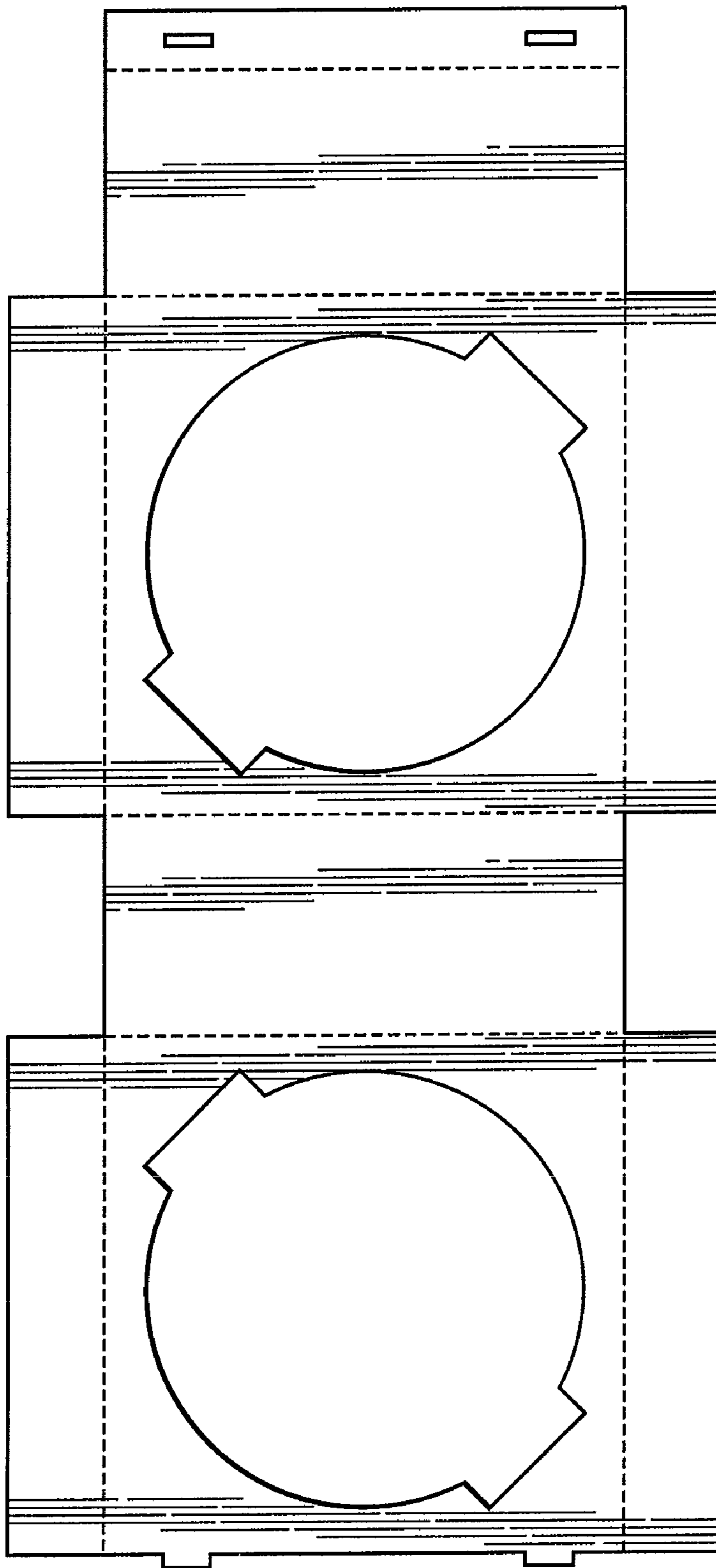


FIG. 2

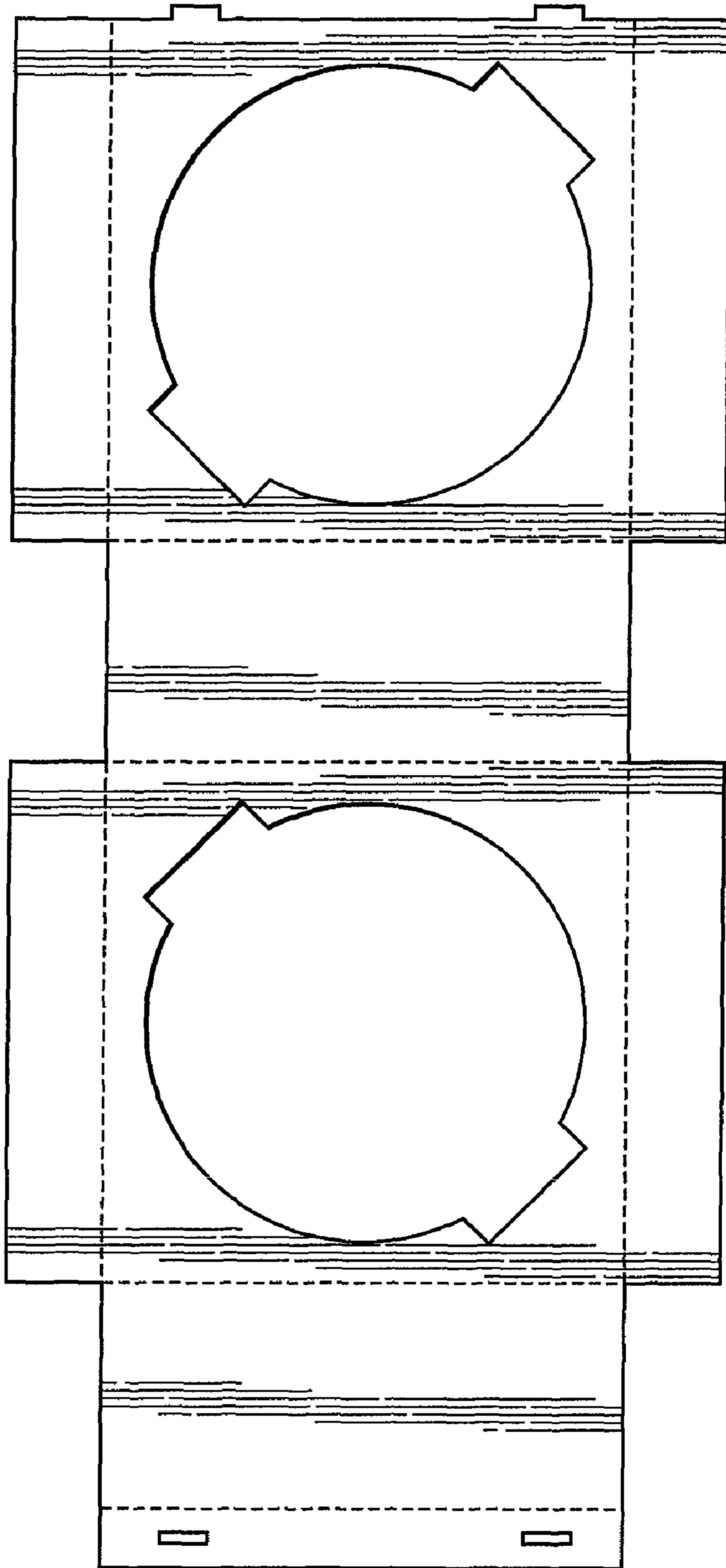


FIG. 3



FIG. 4



FIG. 5



FIG. 7



FIG. 6

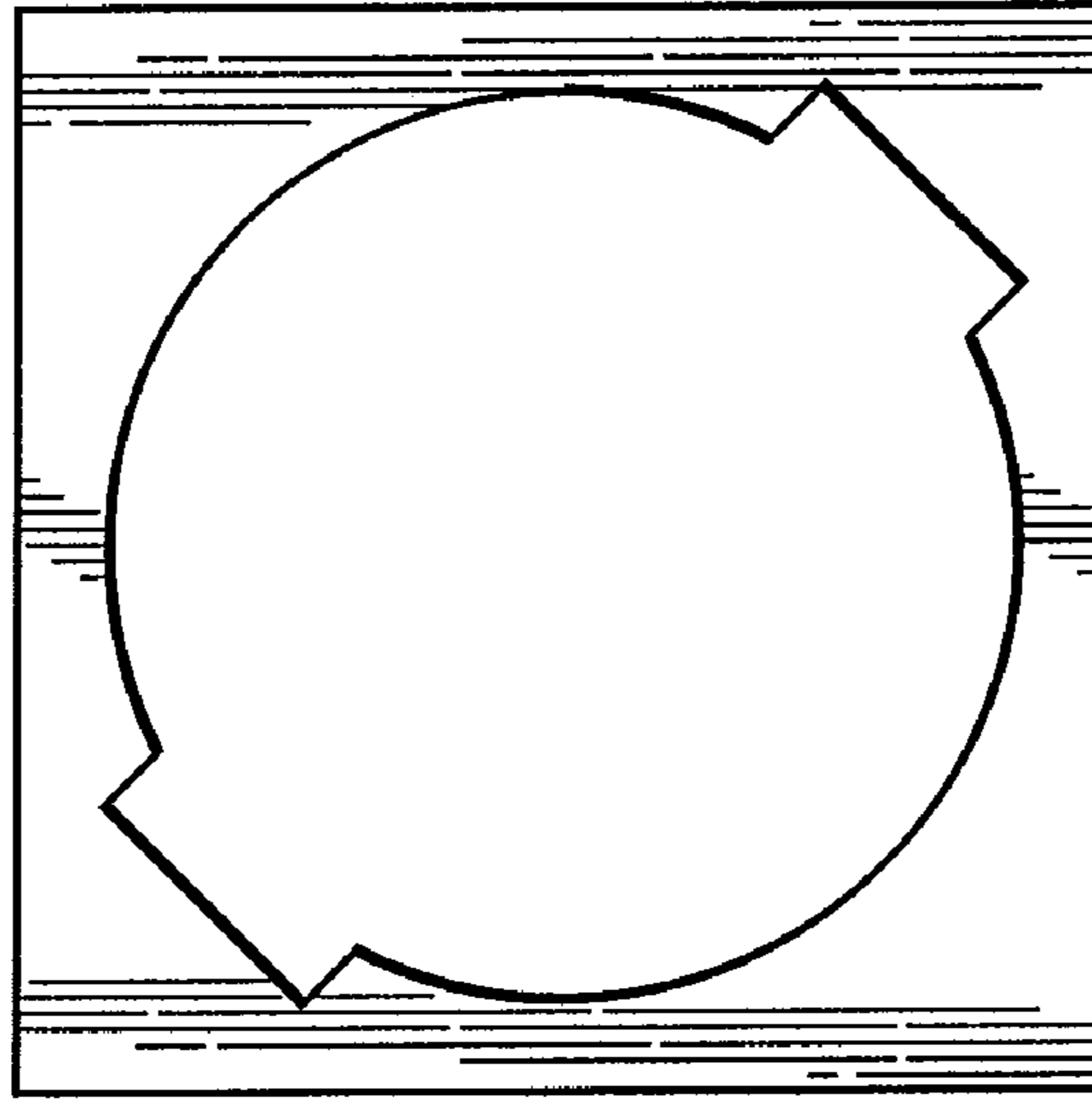


FIG. 9

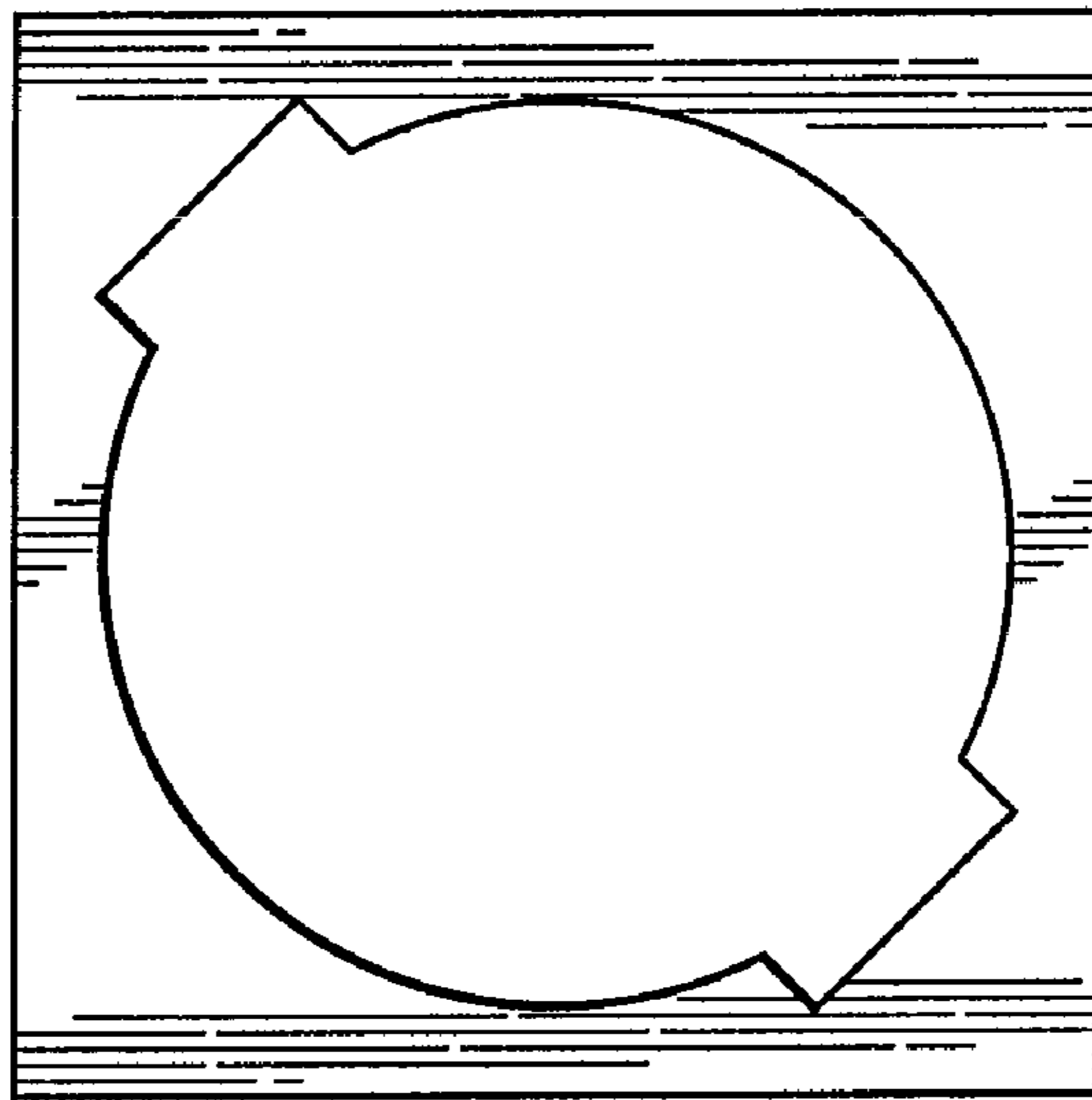


FIG. 8

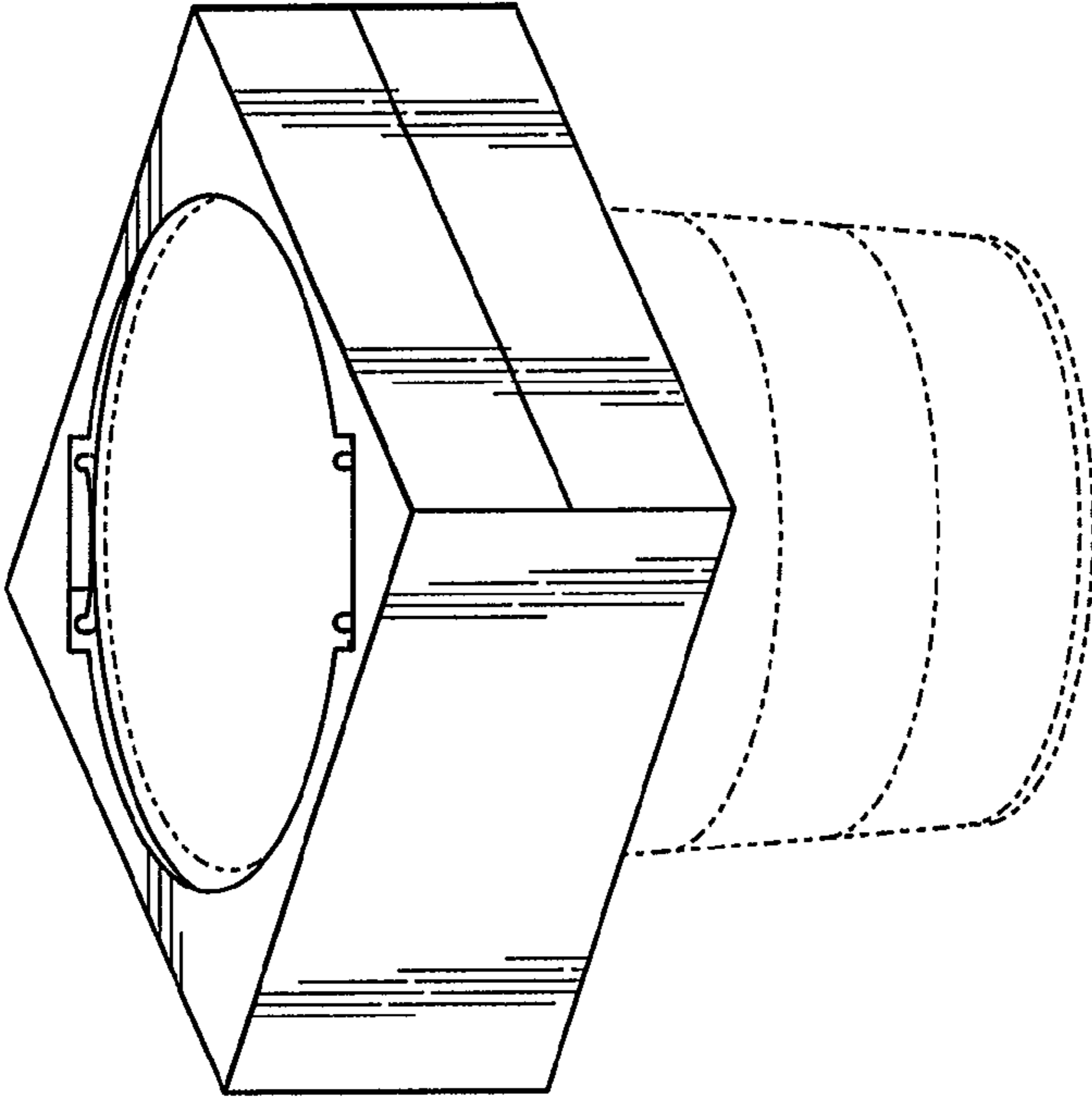


FIG. 11

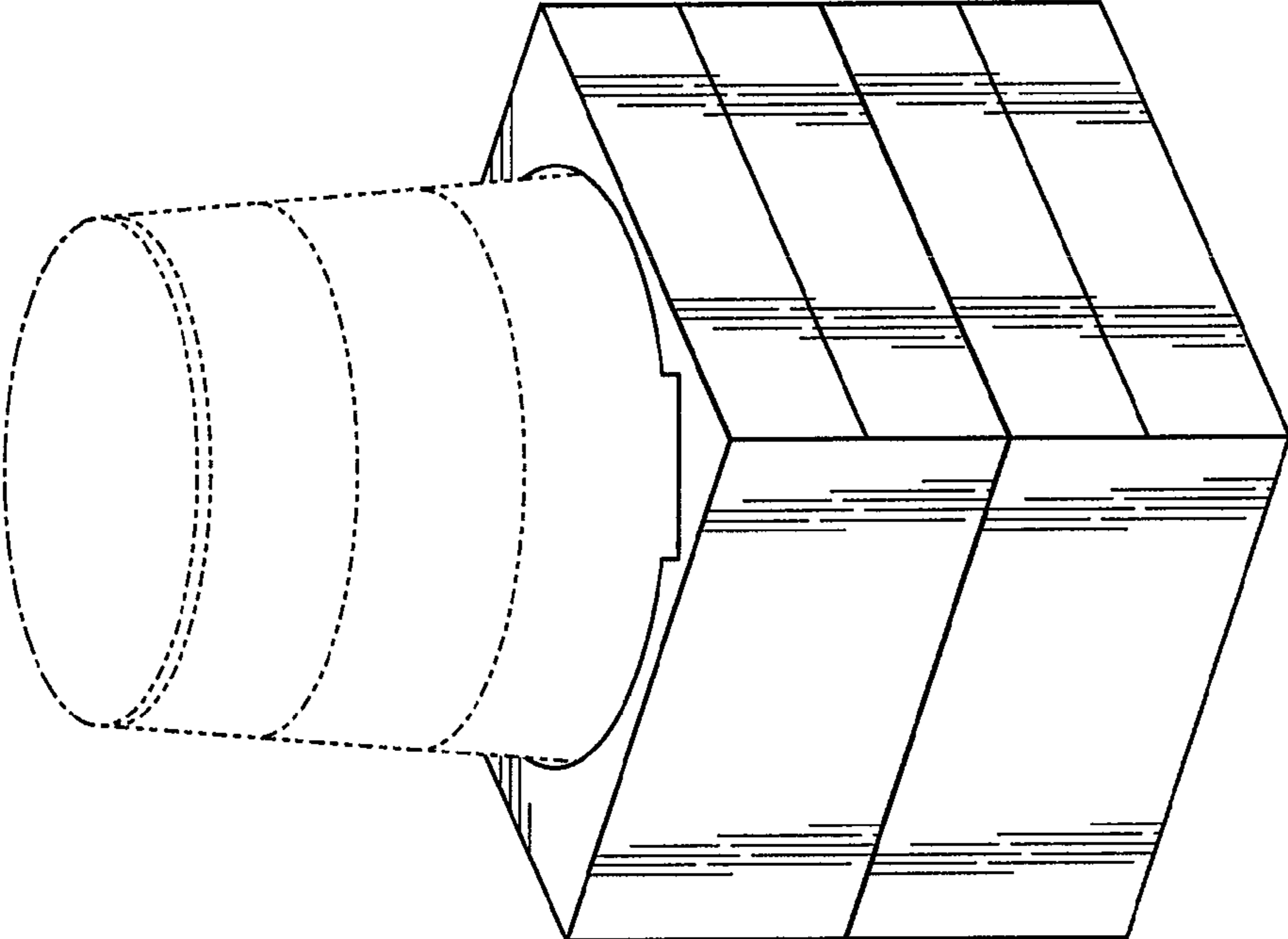


FIG. 10