



US00D642934S

(12) **United States Design Patent**
Ly

(10) **Patent No.:** **US D642,934 S**

(45) **Date of Patent:** **** Aug. 9, 2011**

(54) **SLEEVE FOR CONTAINERS**

(75) Inventor: **Bunlim Ly**, Chicago, IL (US)

(73) Assignee: **Kraft Foods Global Brands LLC**,
Northfield, IL (US)

(**) Term: **14 Years**

(21) Appl. No.: **29/376,808**

(22) Filed: **Oct. 12, 2010**

(51) **LOC (9) Cl.** **09-05**

(52) **U.S. Cl.** **D9/711**

(58) **Field of Classification Search** D9/711,
D9/643, 707, 713, 703, 720, 414, 416, 424,
D9/425, 430, 432, 433, 721; 206/822, 457;
220/890; 229/116.1, 87.05, 87.01, 87.19,
229/87.15, 92, 92.1, 92.7; 215/400; 383/109
See application file for complete search history.

(56) **References Cited**

U.S. PATENT DOCUMENTS

1,968,877 A	8/1934	Cubberley
2,703,645 A	3/1955	Scrimshaw
2,721,689 A	10/1955	Nye
2,786,572 A	3/1957	Gentry
3,148,770 A	9/1964	Cosman
3,166,190 A	1/1965	Conrades
3,186,623 A	6/1965	Guyer
3,372,800 A	3/1968	Arneson
3,394,861 A	7/1968	Truax
3,443,681 A	5/1969	Wysocki
3,685,717 A	8/1972	Seiferth et al.
3,866,818 A	2/1975	Smith
3,866,820 A	2/1975	Zumsteg
4,026,457 A	5/1977	Schubert
4,037,721 A	7/1977	Schillinger
4,130,237 A	12/1978	Struble
4,155,450 A	5/1979	Schillinger
4,158,412 A	6/1979	Wysocki
4,202,465 A	5/1980	McLaren

4,219,144 A	8/1980	Hagelberg
4,338,760 A	7/1982	Kuhn
D268,645 S	4/1983	Phillips et al.
4,449,633 A	5/1984	Johnson et al.
4,467,918 A	8/1984	Blot
4,596,356 A	6/1986	Chaussadas
4,735,314 A	4/1988	Kadleck et al.

(Continued)

FOREIGN PATENT DOCUMENTS

EP 0677454 10/1995

(Continued)

OTHER PUBLICATIONS

U.S. Appl. No. 29/232,442, filed Jun. 17, 2005.

(Continued)

Primary Examiner — Caron D Veynar

Assistant Examiner — Abraham Bahta

(74) *Attorney, Agent, or Firm* — Fitch, Even, Tabin & Flannery

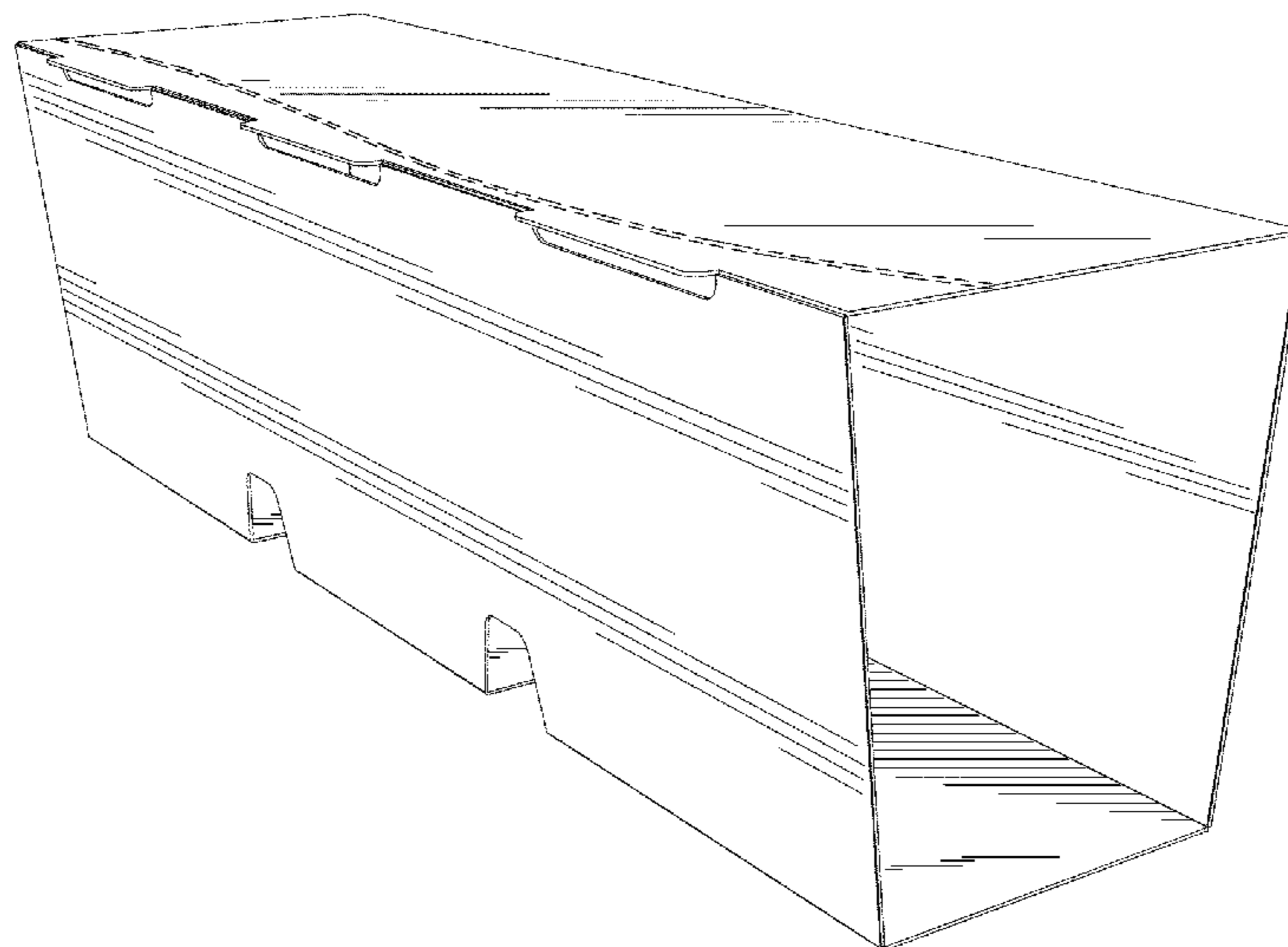
(57) **CLAIM**

The ornamental design for a sleeve for containers, as shown.

DESCRIPTION

FIG. 1 is a perspective view of a sleeve for containers showing my new design;
FIG. 2 is a top plan view thereof;
FIG. 3 is a front elevational view thereof;
FIG. 4 is a left side elevational view thereof, the right side elevational view being a mirror image thereof;
FIG. 5 is a rear elevational view thereof; and,
FIG. 6 is a bottom plan view thereof.
Portions of the sleeve for containers shown in broken lines in the figures are for illustrative purposes only and form no part of the claimed design.

1 Claim, 4 Drawing Sheets



US D642,934 S

Page 2

U.S. PATENT DOCUMENTS

4,756,419 A 7/1988 Le Bras
D297,115 S 8/1988 Fontana et al.
D297,116 S 8/1988 Fontana et al.
D297,117 S 8/1988 Fontana et al.
D297,118 S 8/1988 Fontana et al.
D297,119 S 8/1988 Fontana et al.
4,836,380 A 6/1989 Walter et al.
4,939,332 A 7/1990 Hahn
D329,566 S 9/1992 Davidson, Jr.
D339,522 S 9/1993 Zoss
D342,024 S 12/1993 Kaufman et al.
5,277,920 A 1/1994 Weaver, Jr.
5,312,634 A 5/1994 Griesbach et al.
D349,456 S 8/1994 Wilson
D351,997 S 11/1994 Finnah
5,381,901 A 1/1995 Hundley
D355,333 S 2/1995 Campbell
D363,192 S 10/1995 Reeves et al.
5,503,858 A 4/1996 Reskow
D386,075 S 11/1997 Hayes et al.
D387,272 S 12/1997 Lippincott
5,695,798 A 12/1997 Rozzano
D393,798 S 4/1998 Joswick
D394,001 S 5/1998 Vilos
D395,003 S 6/1998 Daniels
D395,232 S 6/1998 Bryan, III et al.
5,765,685 A 6/1998 Roosa
D398,524 S 9/1998 Waterhouse
5,853,105 A 12/1998 Roman et al.
5,855,275 A 1/1999 Hunter et al.
5,919,501 A 7/1999 Rozzano
D414,409 S 9/1999 Sanfilippo et al.
D420,283 S 2/2000 Reichel
D420,855 S 2/2000 Hurley
D424,426 S 5/2000 Fletcher
D429,147 S 8/2000 Baker et al.
6,105,774 A 8/2000 Jackson
6,119,862 A 9/2000 Childress
6,123,214 A 9/2000 Goebel

D436,854 S 1/2001 Feldmeier
6,170,666 B1 1/2001 DesLauriers
D442,484 S 5/2001 Maxwell et al.
D447,938 S * 9/2001 Tsuruishi et al. D9/415
D457,425 S 5/2002 Petola et al.
6,412,653 B1 7/2002 Waterhouse
6,513,655 B2 2/2003 Logan et al.
D474,687 S 5/2003 Jones et al.
D484,798 S 1/2004 Bukowski
D492,196 S 6/2004 Hyhlik et al.
D494,463 S 8/2004 Tsao
D529,820 S 10/2006 Kissner et al.
D553,493 S * 10/2007 Kracke D9/711
D558,602 S * 1/2008 Kissner et al. D9/711
D582,791 S * 12/2008 Elmerhaus D9/721
D608,635 S * 1/2010 Blick D9/711
D610,919 S * 3/2010 James D9/711
D615,418 S * 5/2010 Criss et al. D9/711
D621,282 S * 8/2010 Yagi D9/711
D624,830 S * 10/2010 Sikorski D9/711
2002/0014431 A1 2/2002 Logan et al.
2002/0066738 A1 6/2002 Agarwal et al.
2003/0141309 A1 7/2003 Agarwal et al.
2003/0185943 A1 10/2003 Bradley et al.
2003/0230582 A1 12/2003 Whitmore et al.
2006/0134273 A1 6/2006 Proper et al.

FOREIGN PATENT DOCUMENTS

JP 08011861 1/1996
JP 2001315748 11/2001
JP 2003040355 2/2003
JP 2003081245 3/2003
JP 2003104351 4/2003

OTHER PUBLICATIONS

U.S. Appl. No. 29/297,152, filed Nov. 5, 2007.
U.S. Appl. No. 29/362,508, filed May 26, 2010.

* cited by examiner

Fig. 1

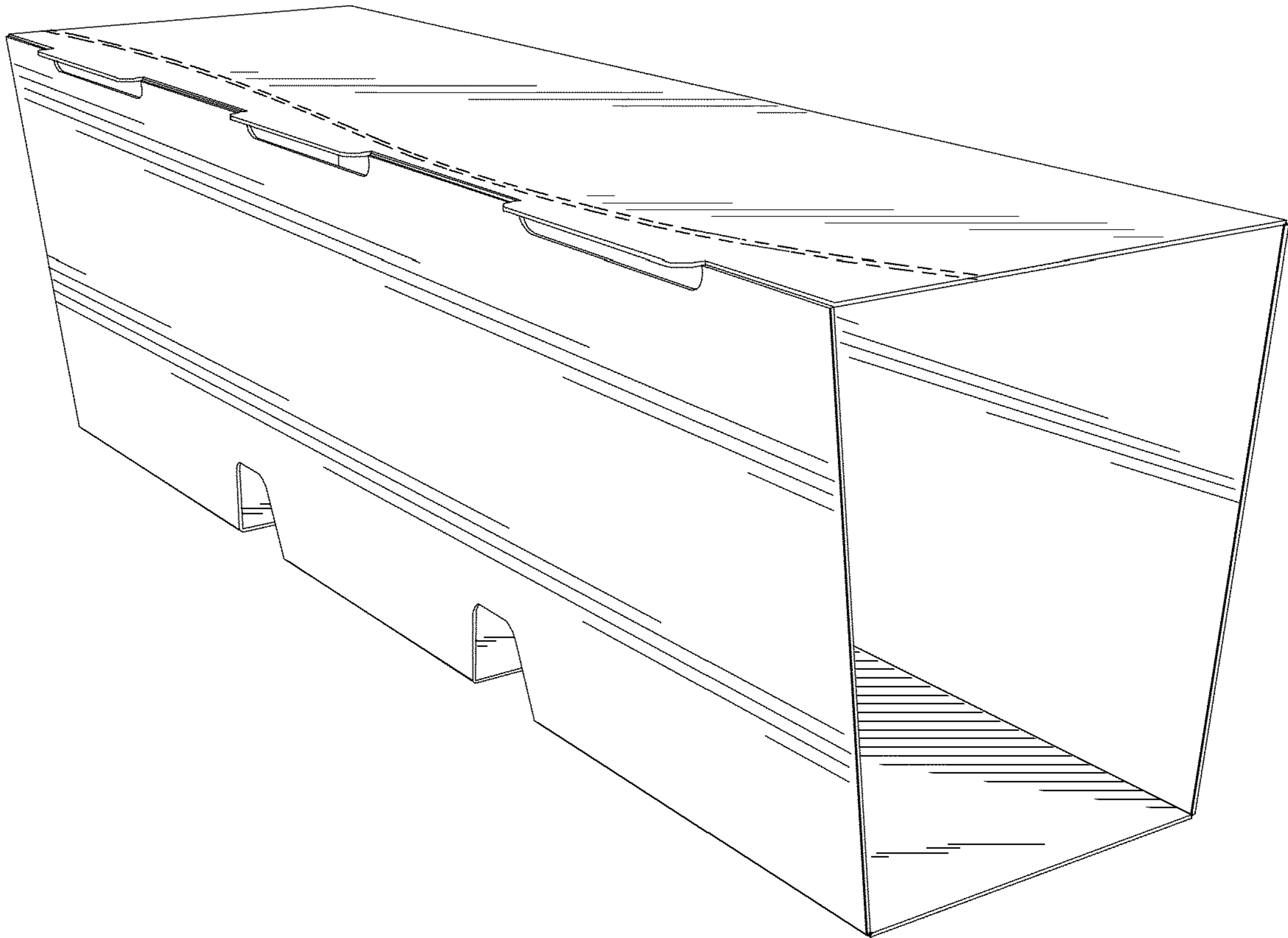


Fig. 2

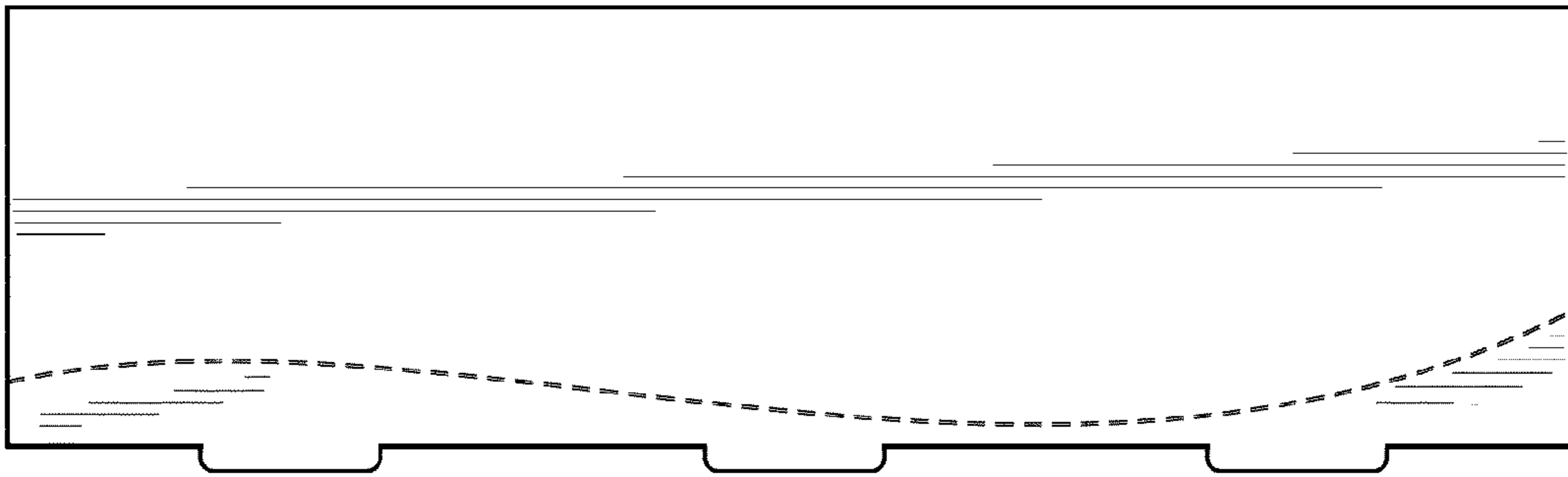


Fig. 3

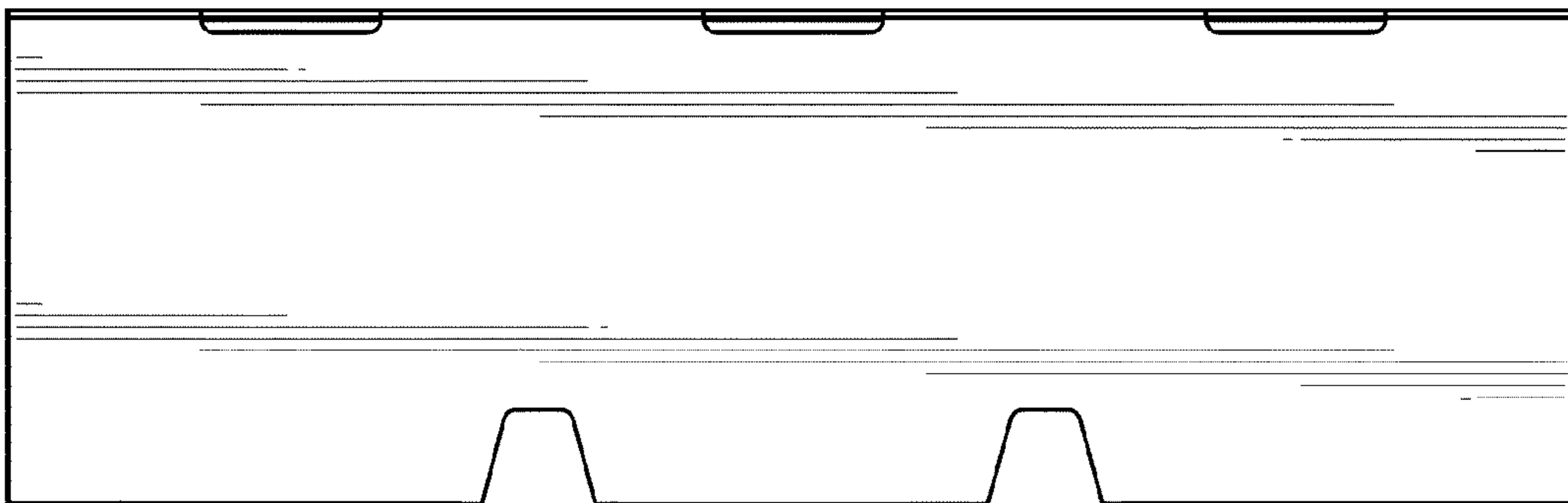


Fig. 4

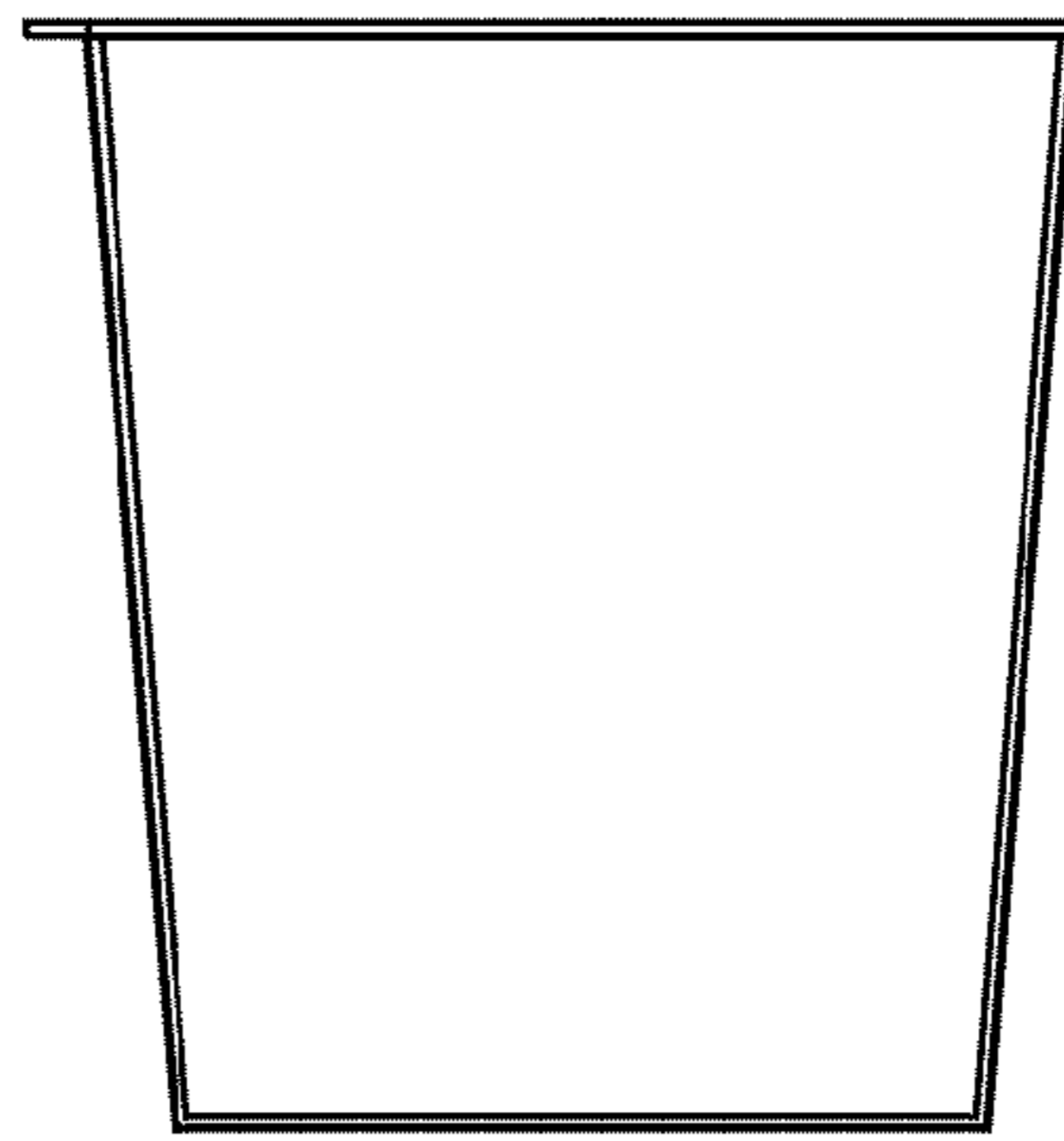


Fig. 5

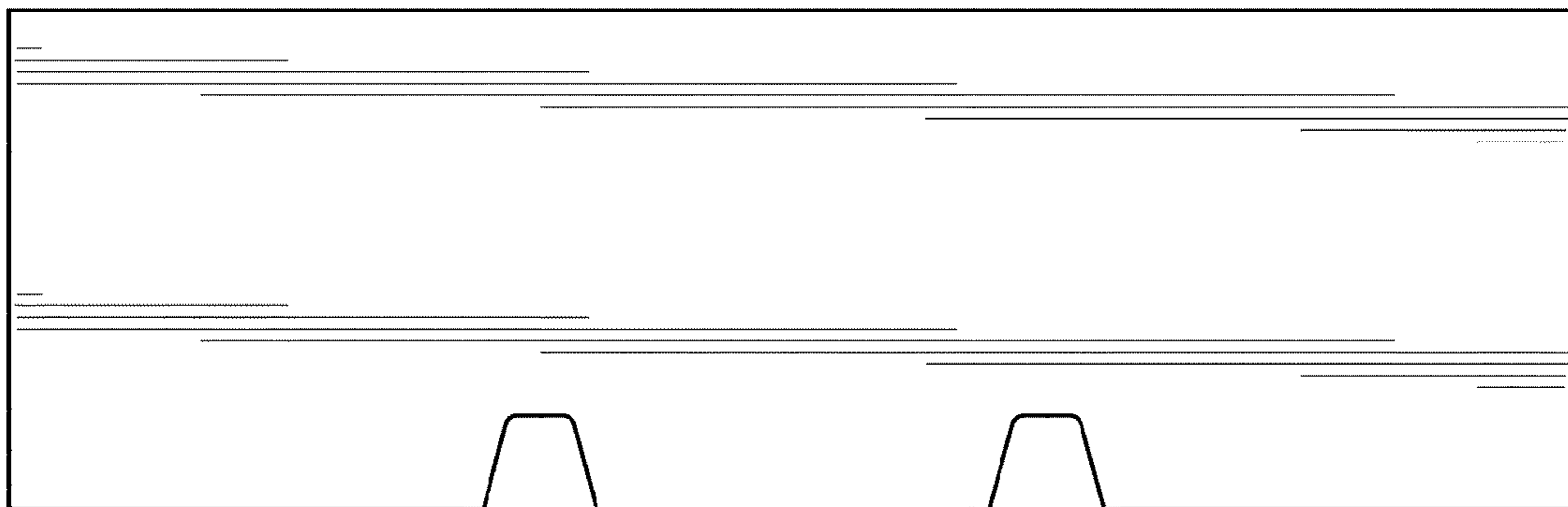


Fig. 6

