



US00D642932S

(12) **United States Design Patent**  
**Nickel et al.**

(10) **Patent No.:** **US D642,932 S**

(45) **Date of Patent:** **\*\* Aug. 9, 2011**

(54) **COMBINED DISPENSING TUBE AND CAP THEREFOR**

(75) Inventors: **Dirk K. Nickel**, Mukwonago, WI (US);  
**Donald A. Lehman**, Chicago, IL (US)

(73) Assignee: **S.C. Johnson & Son, Inc.**, Racine, WI (US)

(\*\*) Term: **14 Years**

(21) Appl. No.: **29/383,001**

(22) Filed: **Jan. 11, 2011**

(51) **LOC (9) Cl.** ..... **09-03**

(52) **U.S. Cl.** ..... **D9/699**

(58) **Field of Classification Search** ..... D9/695-699,  
D9/702-703, 705, 707-708, 711-712, 521,  
D9/571-574, 516, 522, 541, 556-560, 723-729,  
D9/447, 442-443, 453; 215/355, 380-381;  
222/212, 92, 95-96, 107, 215, 531, 386,  
222/536; 220/669, DIG. 7; D28/91.1, 76-78,  
D28/82, 88; D4/114; D24/119

See application file for complete search history.

(56) **References Cited**

**U.S. PATENT DOCUMENTS**

3,201,003 A \* 8/1965 Wark et al.  
D212,150 S \* 9/1968 Caliman ..... D9/696  
D213,426 S \* 3/1969 Goff  
D289,609 S \* 5/1987 Bauwens et al. .... D9/697  
D317,715 S \* 6/1991 Bauwens

D402,194 S \* 12/1998 Zaksensberg  
D412,107 S \* 7/1999 Bosshardt  
D481,166 S \* 10/2003 Angeletta ..... D28/7  
D515,435 S \* 2/2006 Muehlhausen ..... D9/695  
D555,509 S \* 11/2007 Soederstroem

**OTHER PUBLICATIONS**

A Nov. 11, 2010 web site excerpt depicting a Surehold dispensing tube.

\* cited by examiner

*Primary Examiner* — Caron D Veynar

*Assistant Examiner* — Abraham Bahta

(57) **CLAIM**

The ornamental design for a combined dispensing tube and cap therefor, as shown and described.

**DESCRIPTION**

FIG. 1 is a bottom, right and front perspective view of the combined dispensing tube and cap showing our new design; FIG. 2 is a front elevational view thereof, the rear elevational view being the same; FIG. 3 is a right elevational view, the left side elevational view being the same; FIG. 4 is a top plan view thereof; and, FIG. 5 is a bottom view thereof.

In a preferred embodiment the combined dispensing tube and cap therefor are useful for controlling the dispensing of an insecticidal bait composition.

**1 Claim, 2 Drawing Sheets**

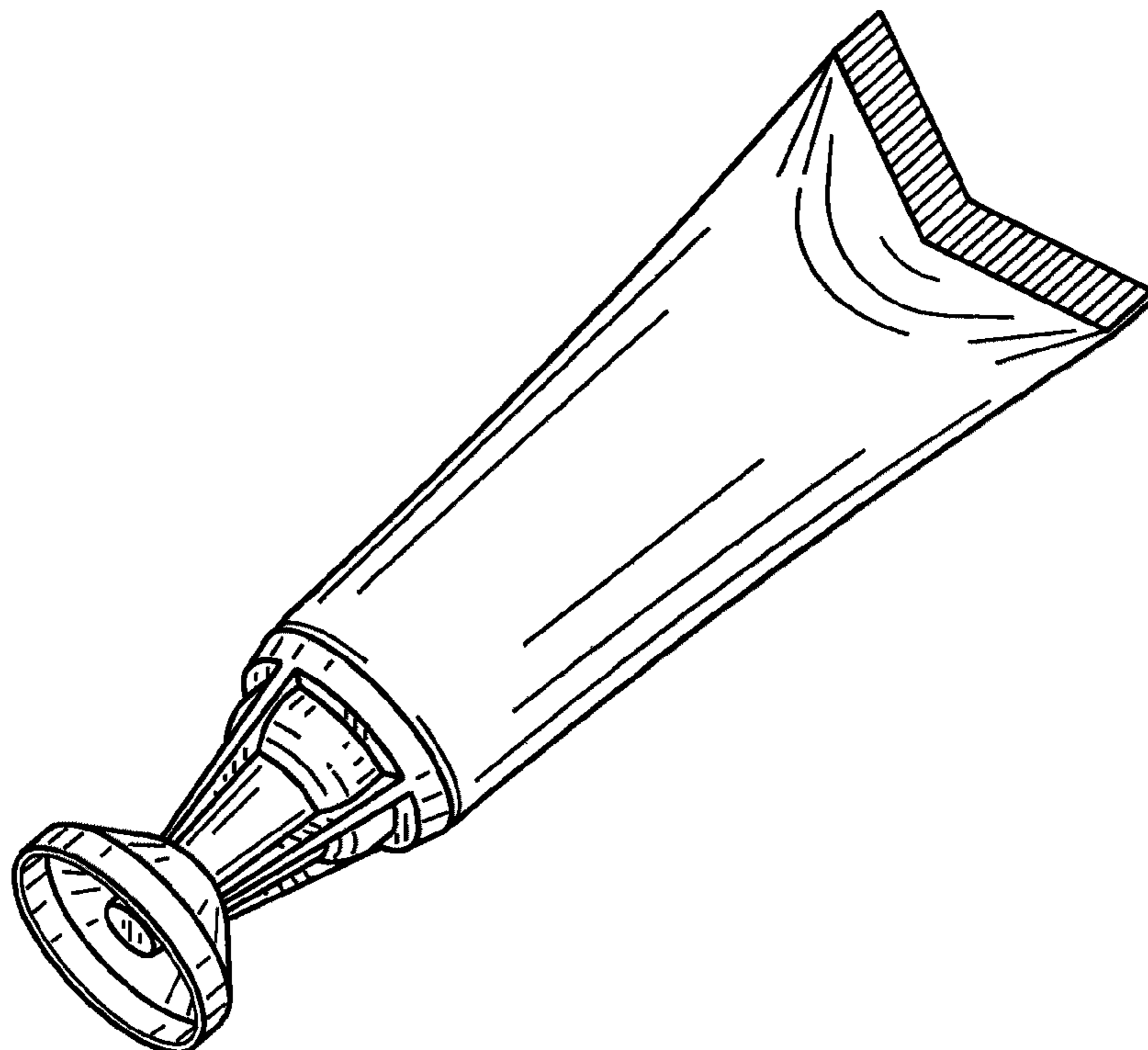


FIG. 1

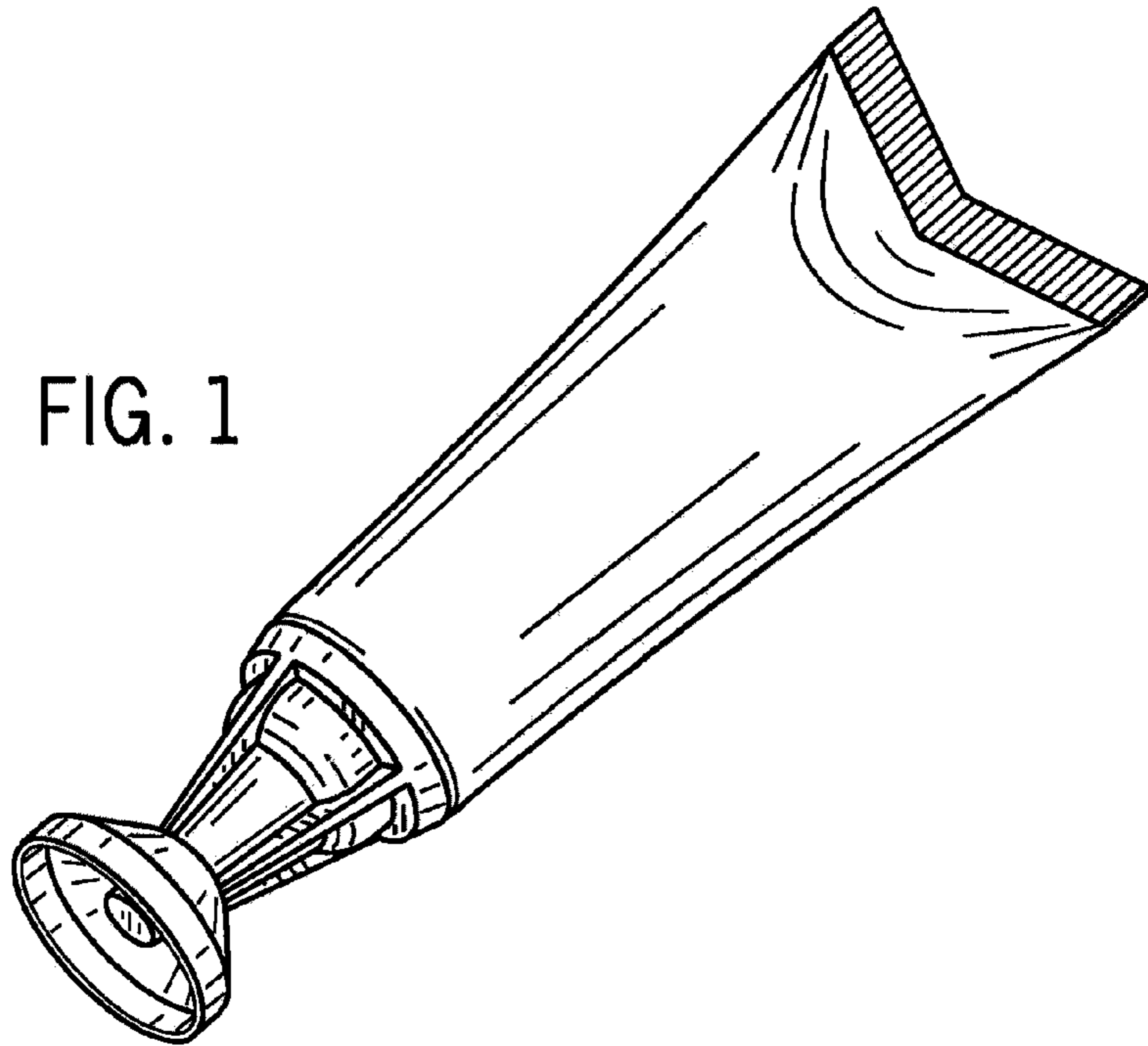


FIG. 2

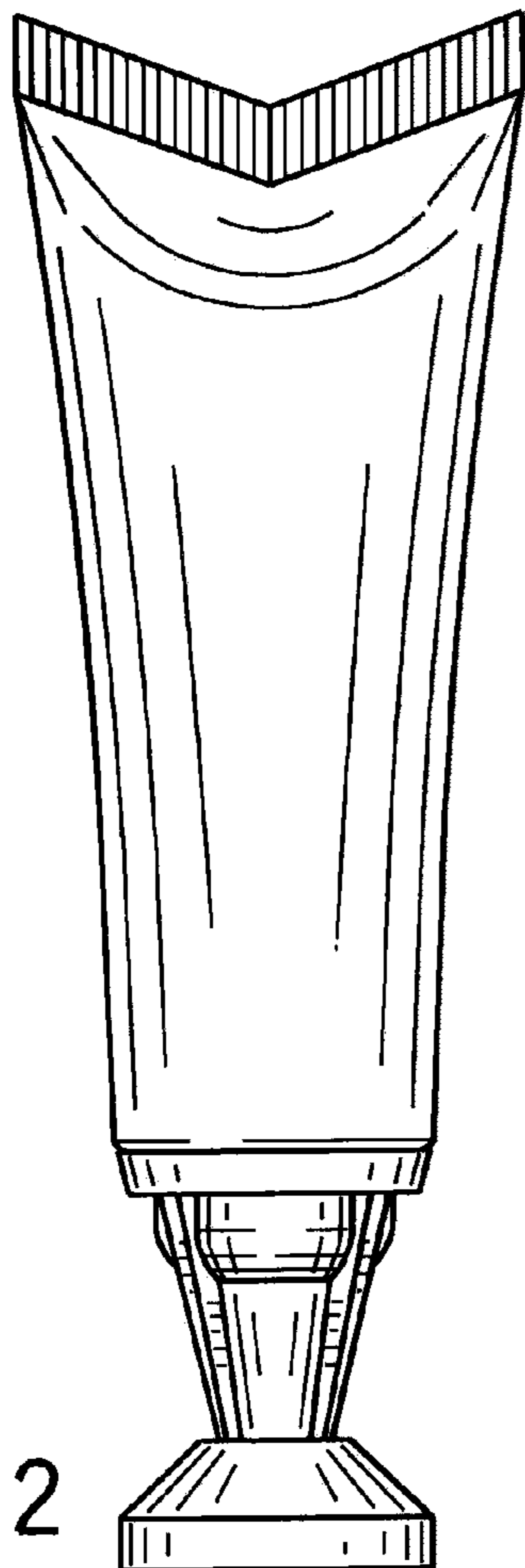


FIG. 3

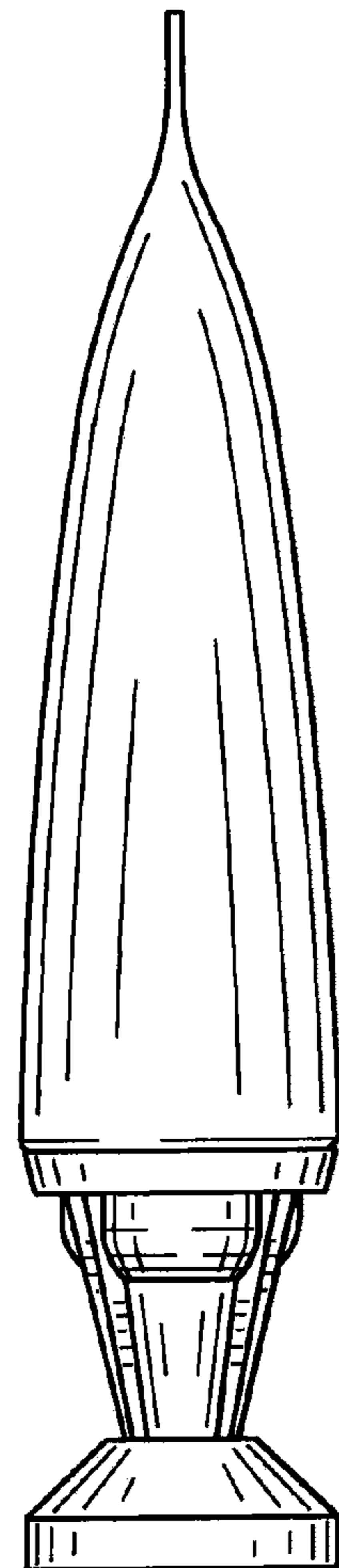


FIG. 4

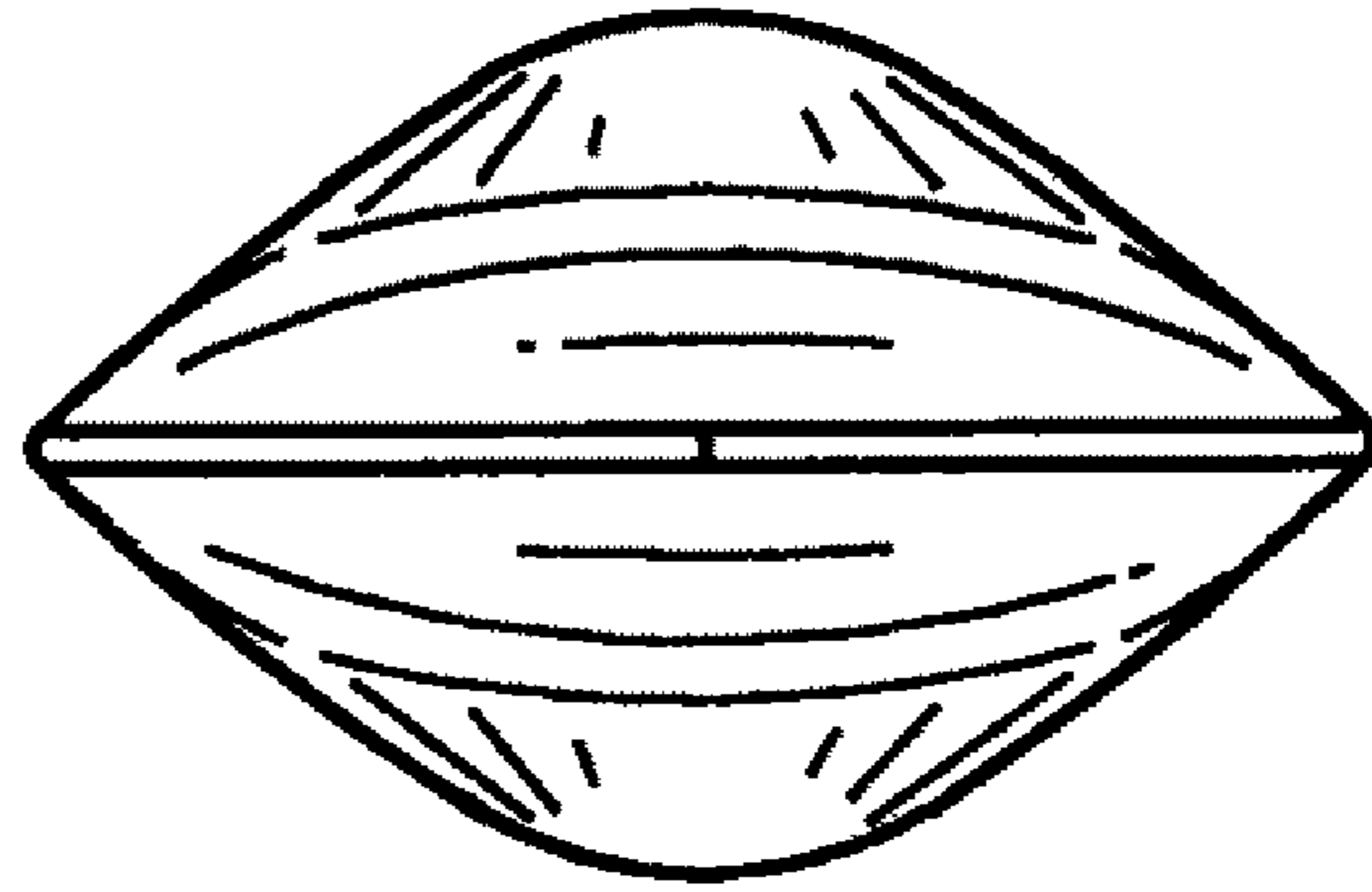


FIG. 5

