



US00D642928S

(12) **United States Design Patent**
Lundin

(10) **Patent No.:** **US D642,928 S**

(45) **Date of Patent:** **** Aug. 9, 2011**

(54) **BEVERAGE CONTAINER**

(75) Inventor: **Jonas Lundin**, Skarpnack (SE)

(73) Assignee: **Cubis Limited**, Nicosia (CY)

(**) Term: **14 Years**

(21) Appl. No.: **29/343,704**

(22) Filed: **Sep. 17, 2009**

(30) **Foreign Application Priority Data**

Mar. 18, 2009 (EM) 001108096-0001

(51) **LOC (9) Cl.** **09-01**

(52) **U.S. Cl.** **D9/560; D9/529; D9/449**

(58) **Field of Classification Search** D9/516,
D9/559-560, 572-575, 529, 563, 565, 571,
D9/414, 420-424, 430-432, 446, 449; D7/601-602,
D7/605, 612, 615, 629-630, 637, 640-641;
215/379, 381-383; 220/660, 669-673, 675
See application file for complete search history.

(56) **References Cited**

U.S. PATENT DOCUMENTS

D306,933 S * 4/1990 Holewinski D9/529
D370,850 S * 6/1996 Beaver D9/543

D475,628 S * 6/2003 Walsh et al. D9/530
D491,467 S * 6/2004 Walsh et al. D9/522
D546,185 S * 7/2007 Bates et al. D9/516
D592,966 S * 5/2009 Nissen D9/560
D600,547 S * 9/2009 Cain D9/418
D635,031 S * 3/2011 Themann D9/544

* cited by examiner

Primary Examiner — Ian Simmons

Assistant Examiner — Dana L Sipos

(74) *Attorney, Agent, or Firm* — Young & Thompson

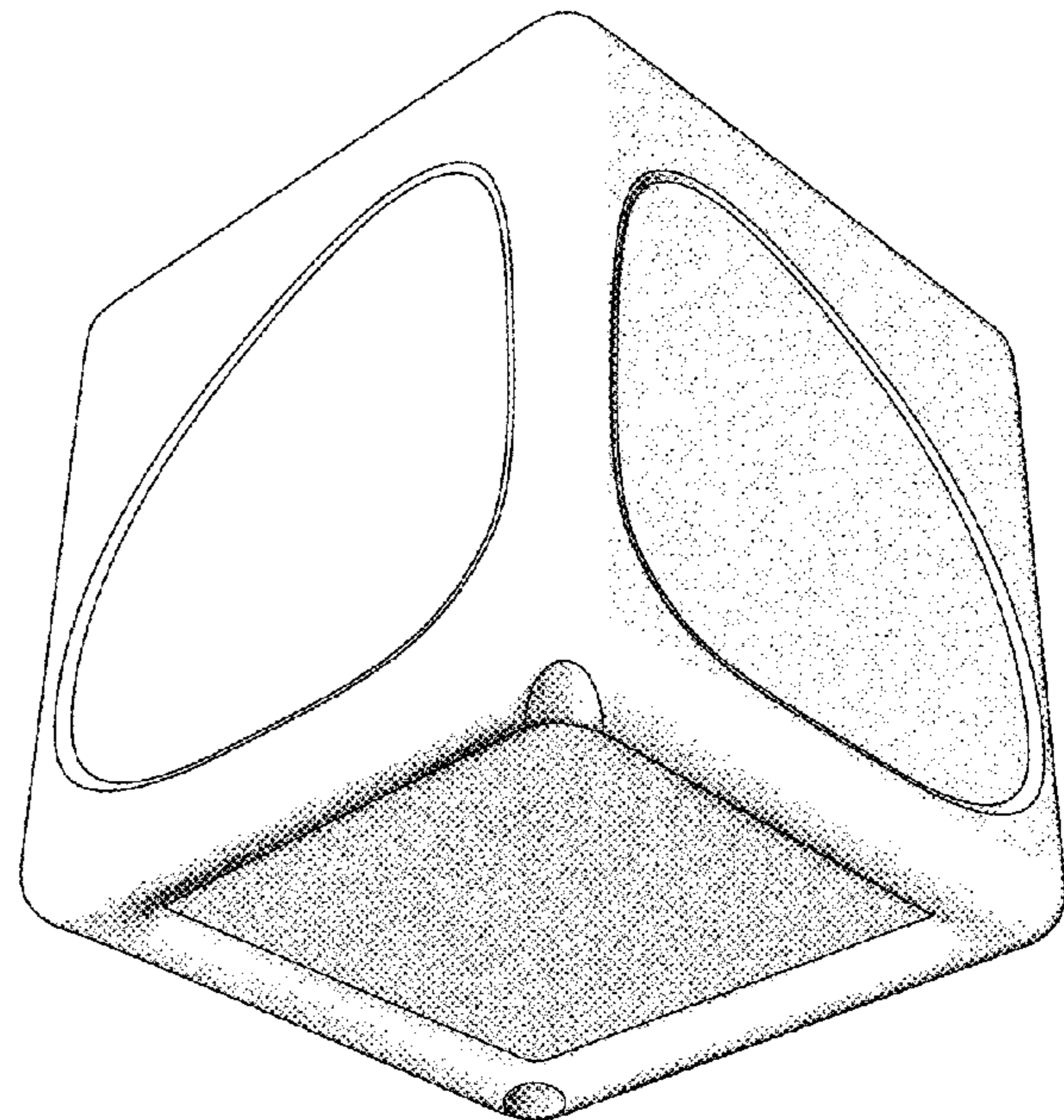
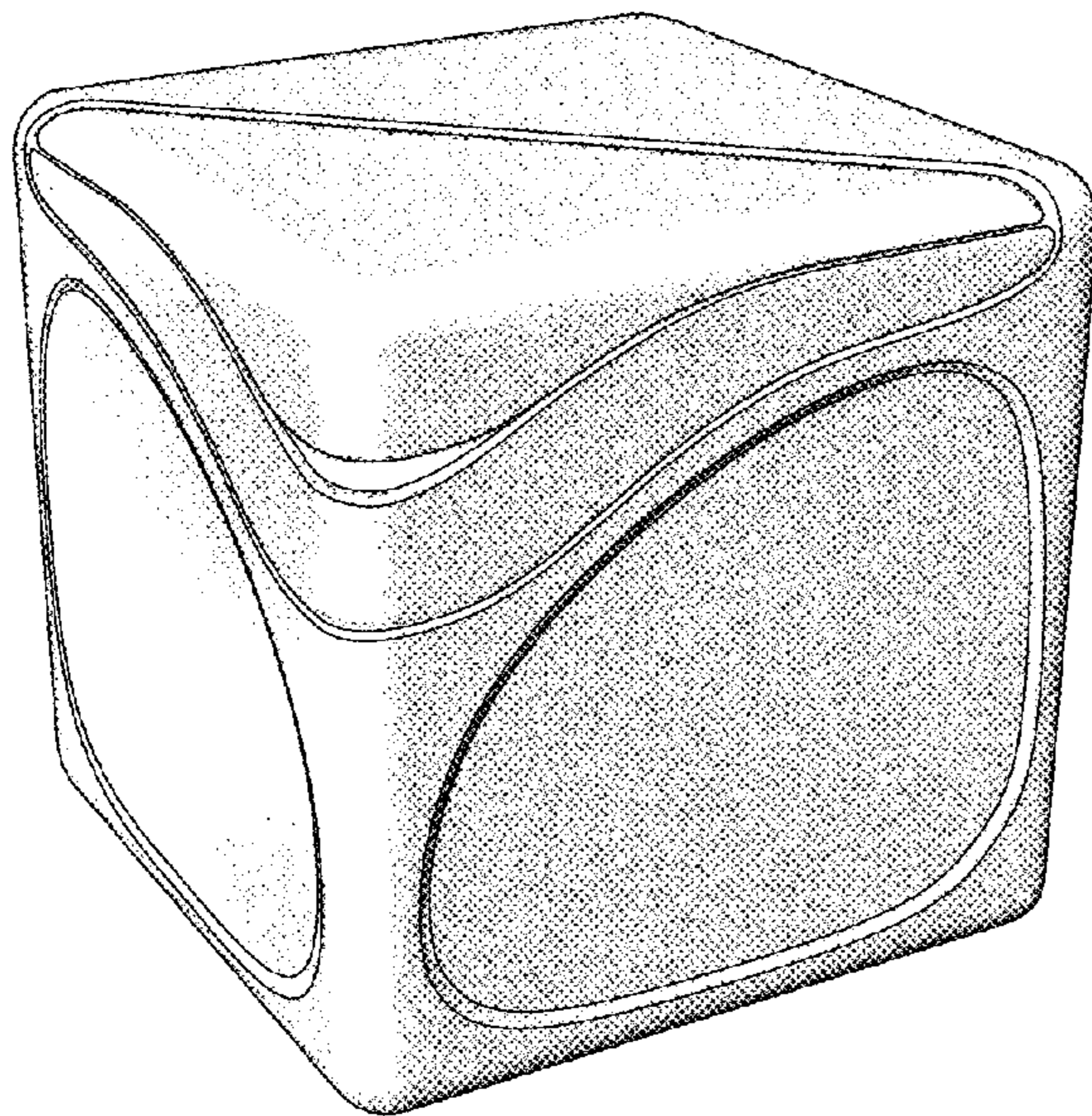
(57) **CLAIM**

The ornamental design for a beverage container, as shown and described.

DESCRIPTION

FIG. 1 is a front, right side and top perspective view of a beverage container showing my new design;
FIG. 2 is a right side elevational view thereof;
FIG. 3 is a front elevational view thereof;
FIG. 4 is a top plan view thereof;
FIG. 5 is a rear, left side and bottom perspective view thereof;
FIG. 6 is a rear elevational view thereof, the left side elevational view being a mirror image of FIG. 6; and,
FIG. 7 is a bottom plan view thereof.

1 Claim, 4 Drawing Sheets



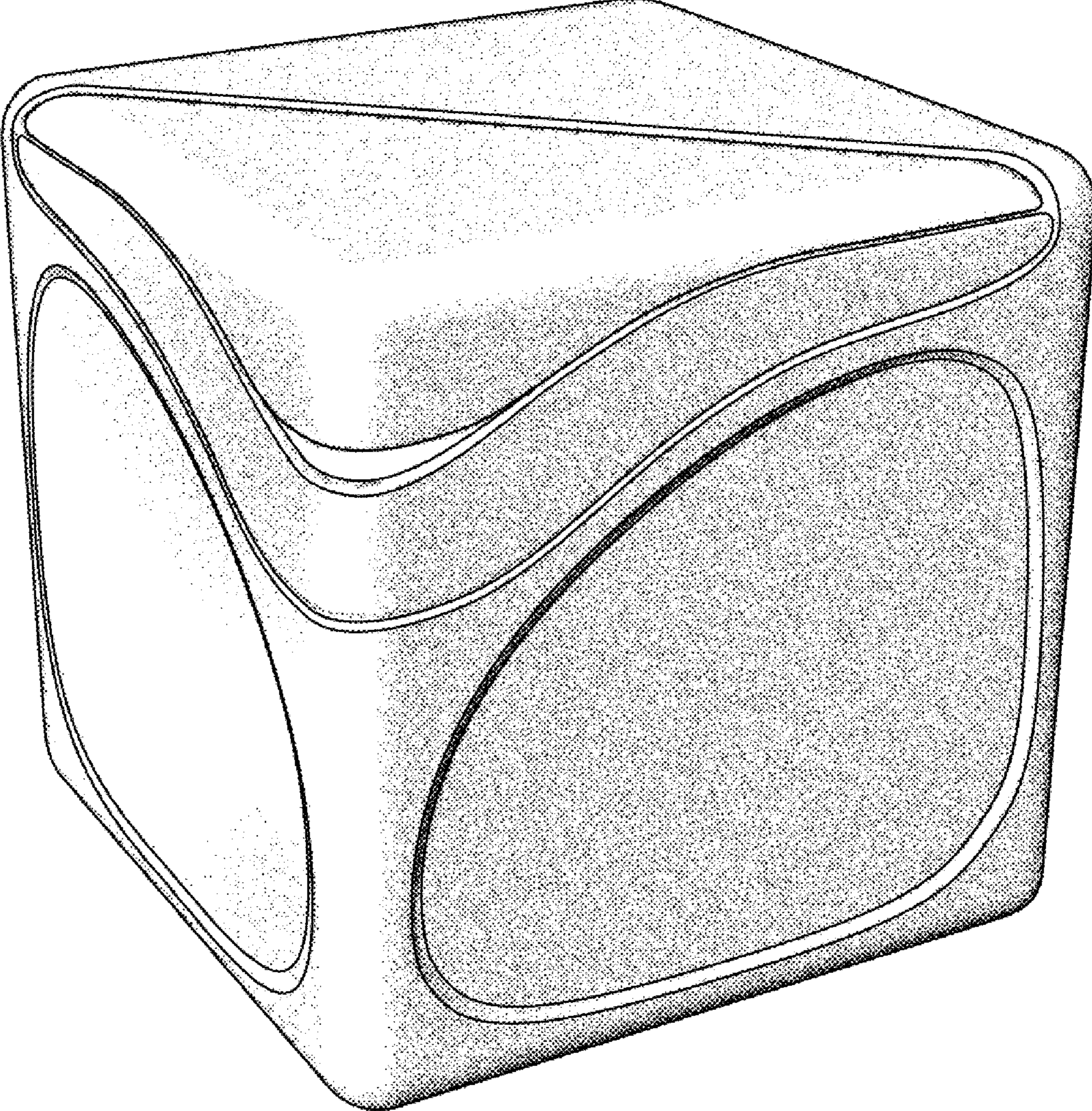


Fig. 1

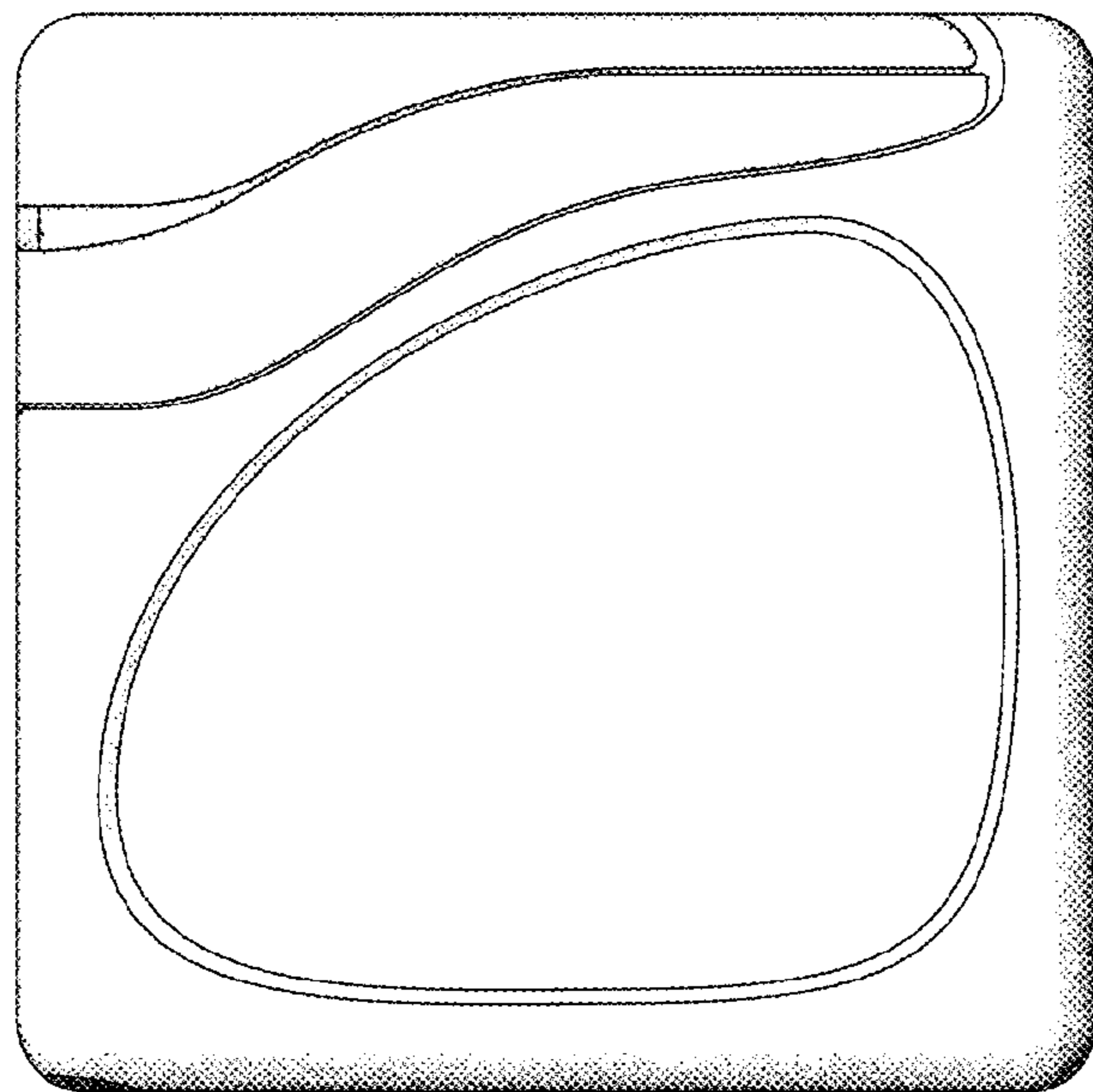


Fig. 2

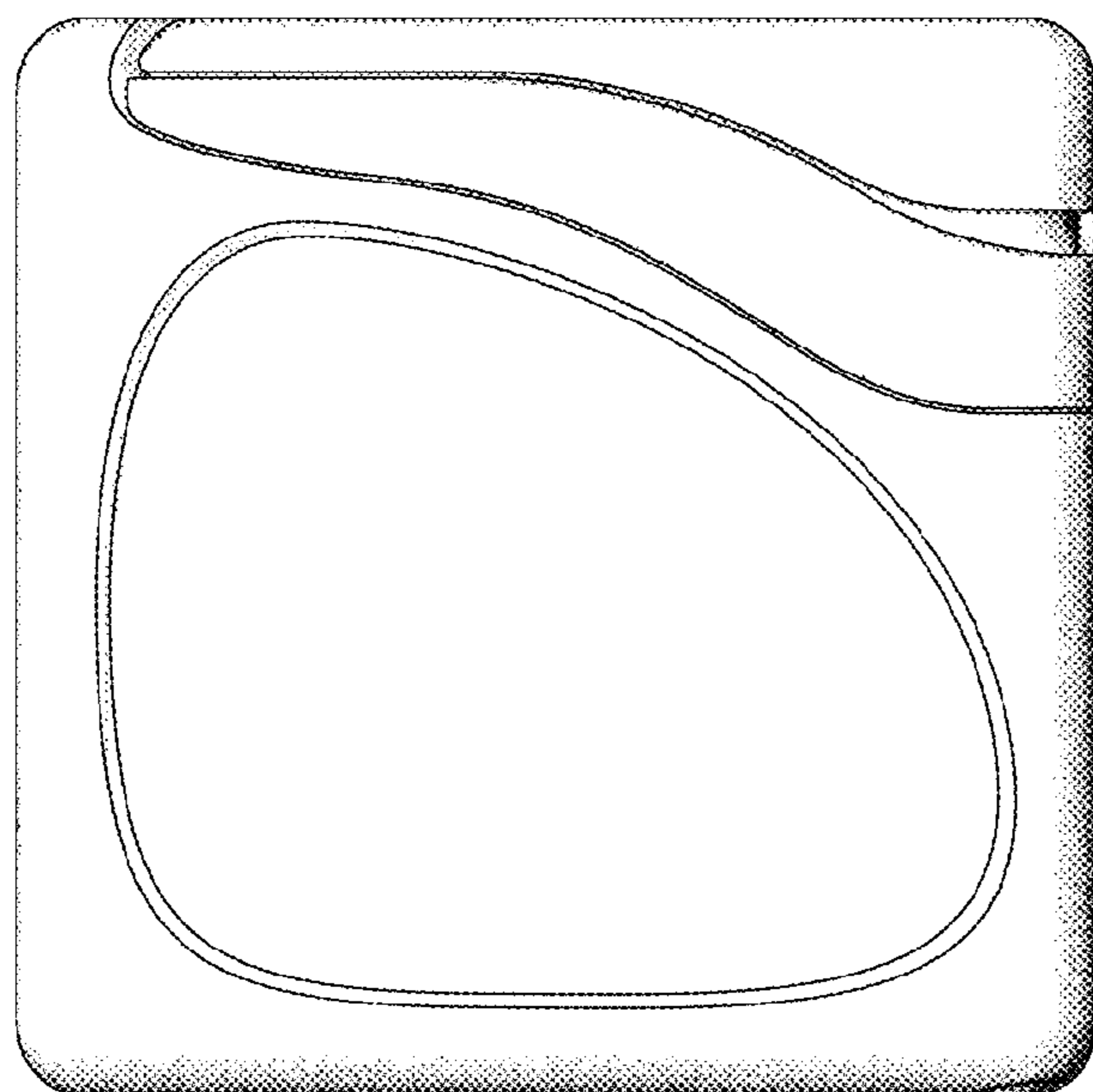


Fig. 3

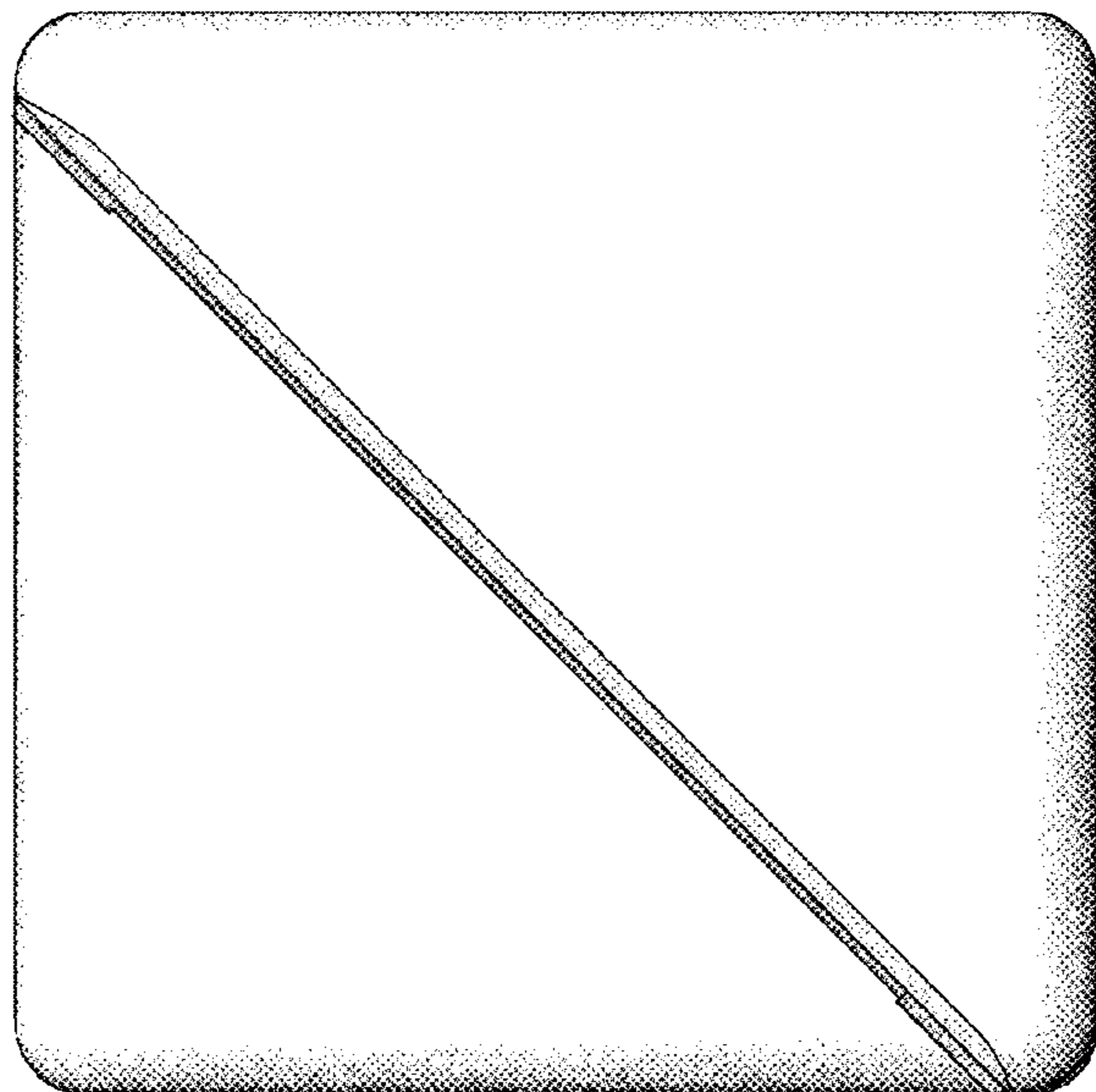


Fig. 4

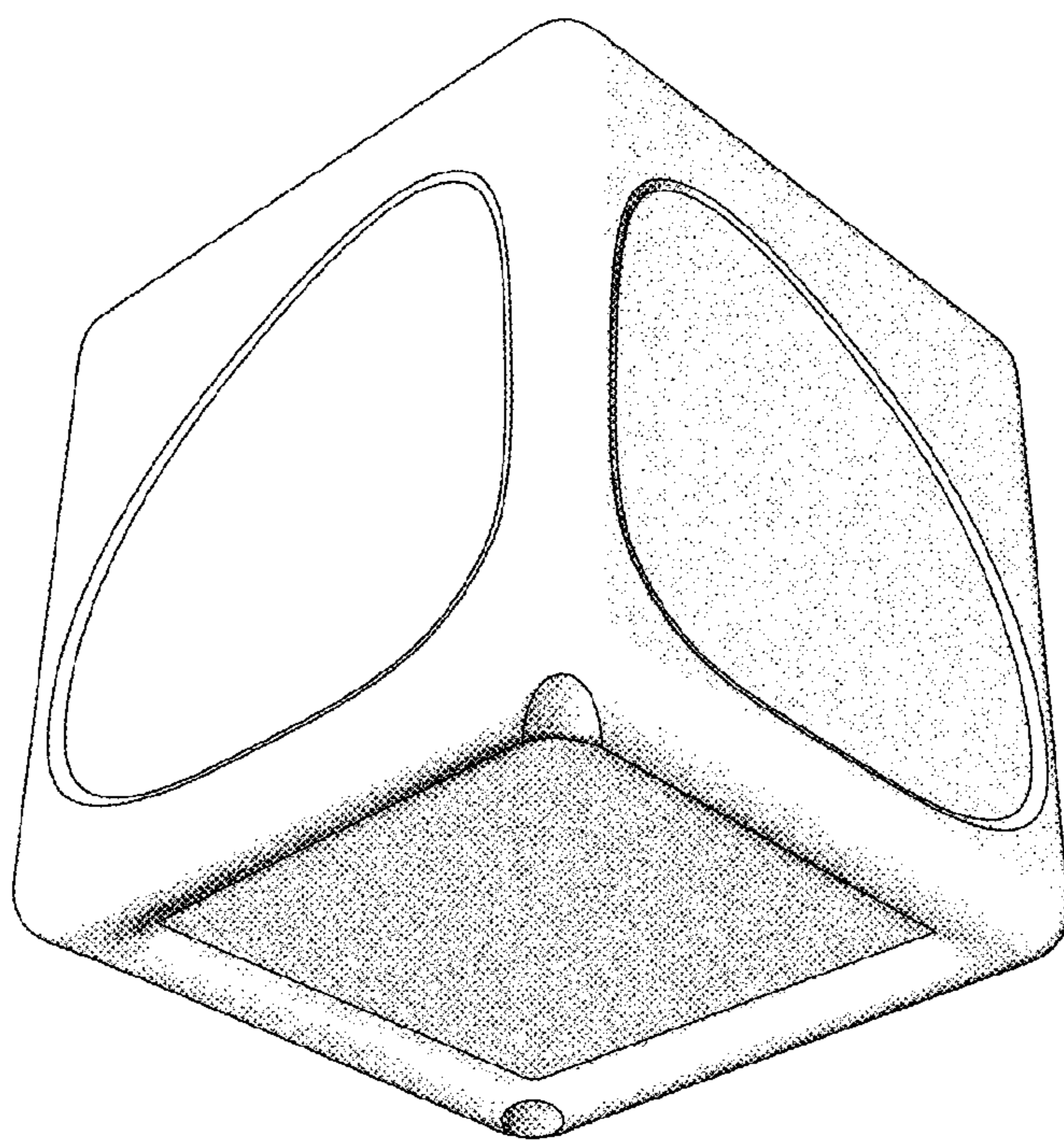


Fig. 5

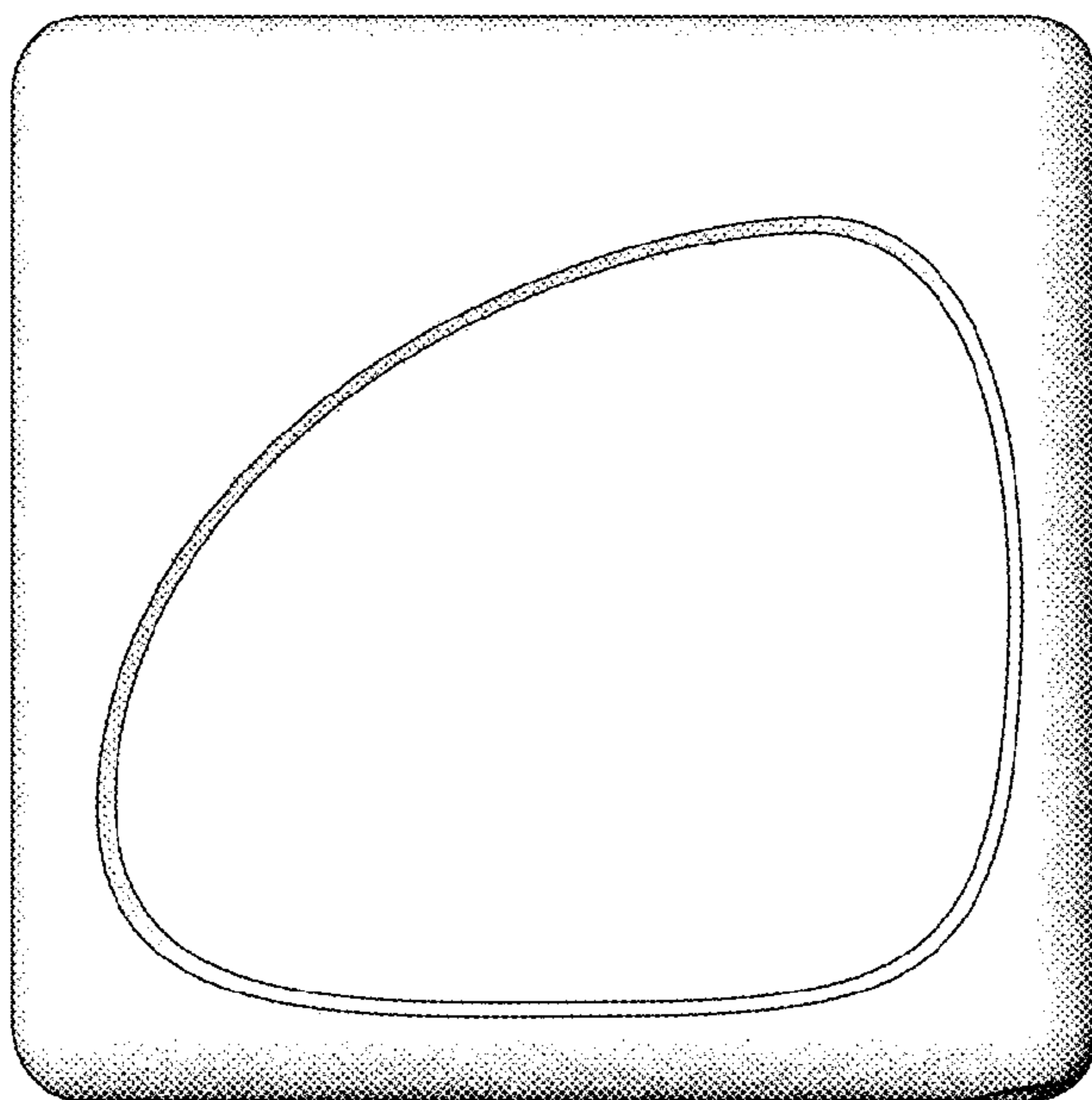


Fig. 6

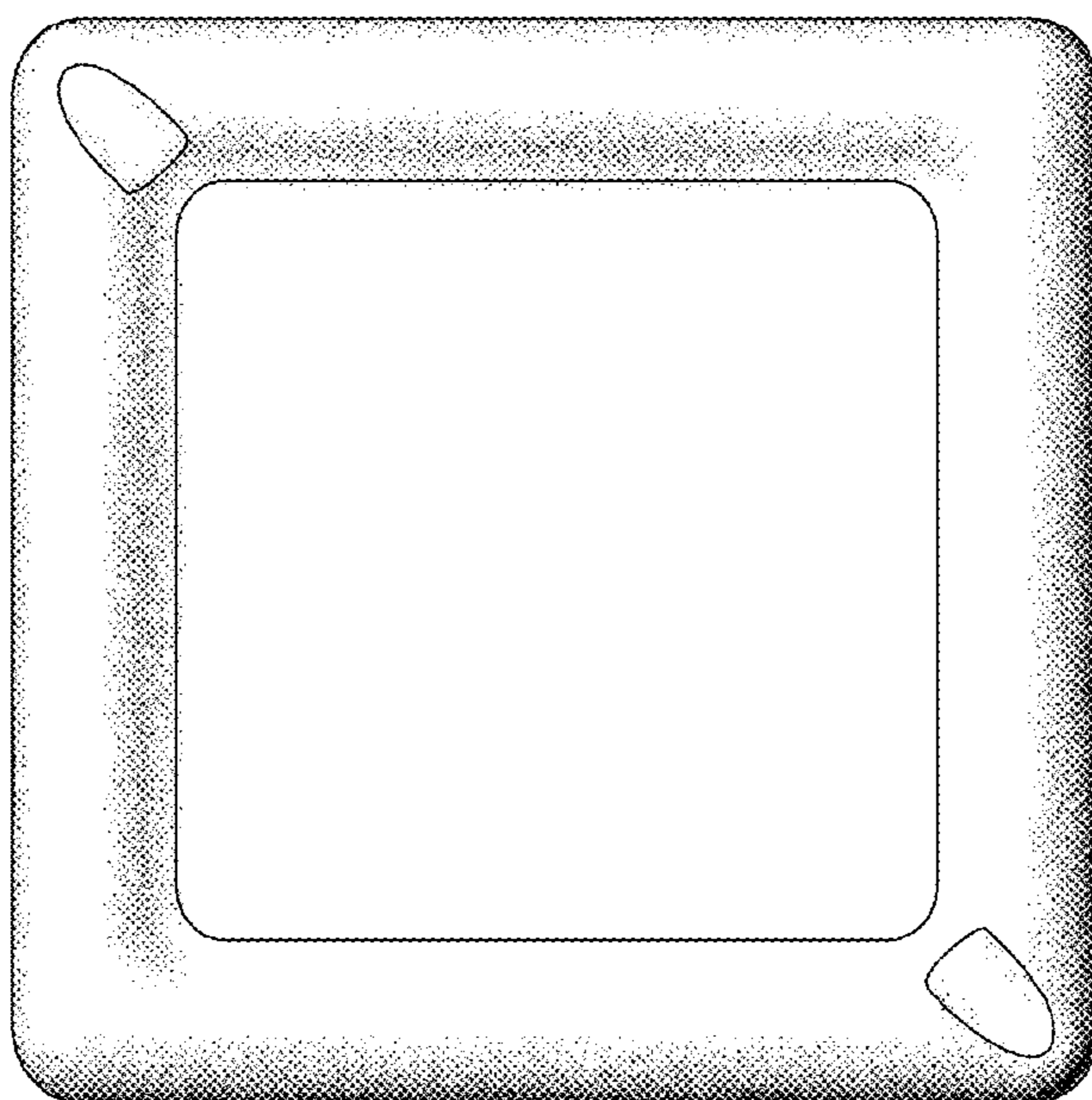


Fig. 7