



US00D642927S

(12) **United States Design Patent**
Foster

(10) **Patent No.:** **US D642,927 S**

(45) **Date of Patent:** **** Aug. 9, 2011**

(54) **CONTAINER**

(75) **Inventor:** **Jason E. Foster**, West Hollywood, CA (US)

(73) **Assignee:** **Replenish Bottling, LLC**, West Hollywood, CA (US)

(**) **Term:** **14 Years**

(21) **Appl. No.:** **29/365,559**

(22) **Filed:** **Jul. 9, 2010**

(51) **LOC (9) Cl.** **09-01**

(52) **U.S. Cl.** **D9/558**

(58) **Field of Classification Search** D9/516,
D9/544-545, 549, 558, 574-575, 682, 686,
D9/688-691; 215/379, 381-382; 220/660,
220/662, 669, 675

See application file for complete search history.

(56) **References Cited**

U.S. PATENT DOCUMENTS

D82,824 S *	12/1930	Hobe	D9/558
D394,012 S *	5/1998	Bakic	D9/545
D548,606 S *	8/2007	Rica	D9/544
D555,498 S *	11/2007	Bansal	D9/558
D579,340 S *	10/2008	Dickman et al.	D9/558
D589,813 S *	4/2009	Rica	D9/545
D605,951 S *	12/2009	Ikeda	D9/558
D632,178 S *	2/2011	Liu	D9/529

OTHER PUBLICATIONS

“Tiffany”, ABA Packaging Corporation Catalog, ABA Packaging Corp., Holtsville, NY, 2004, bottom of p. 29.*

* cited by examiner

Primary Examiner — Ian Simmons

Assistant Examiner — Dana L Sipos

(74) *Attorney, Agent, or Firm* — Kleinberg & Lerner, LLP; Marvin H. Kleinberg

(57) **CLAIM**

The ornamental design for a container, as shown and described.

DESCRIPTION

FIG. 1 is a perspective view of the container of the present invention;

FIG. 2 is a top view of the container of FIG. 1;

FIG. 3 is a bottom view of the container of FIG. 1;

FIG. 4 is a front view of the container of FIG. 1;

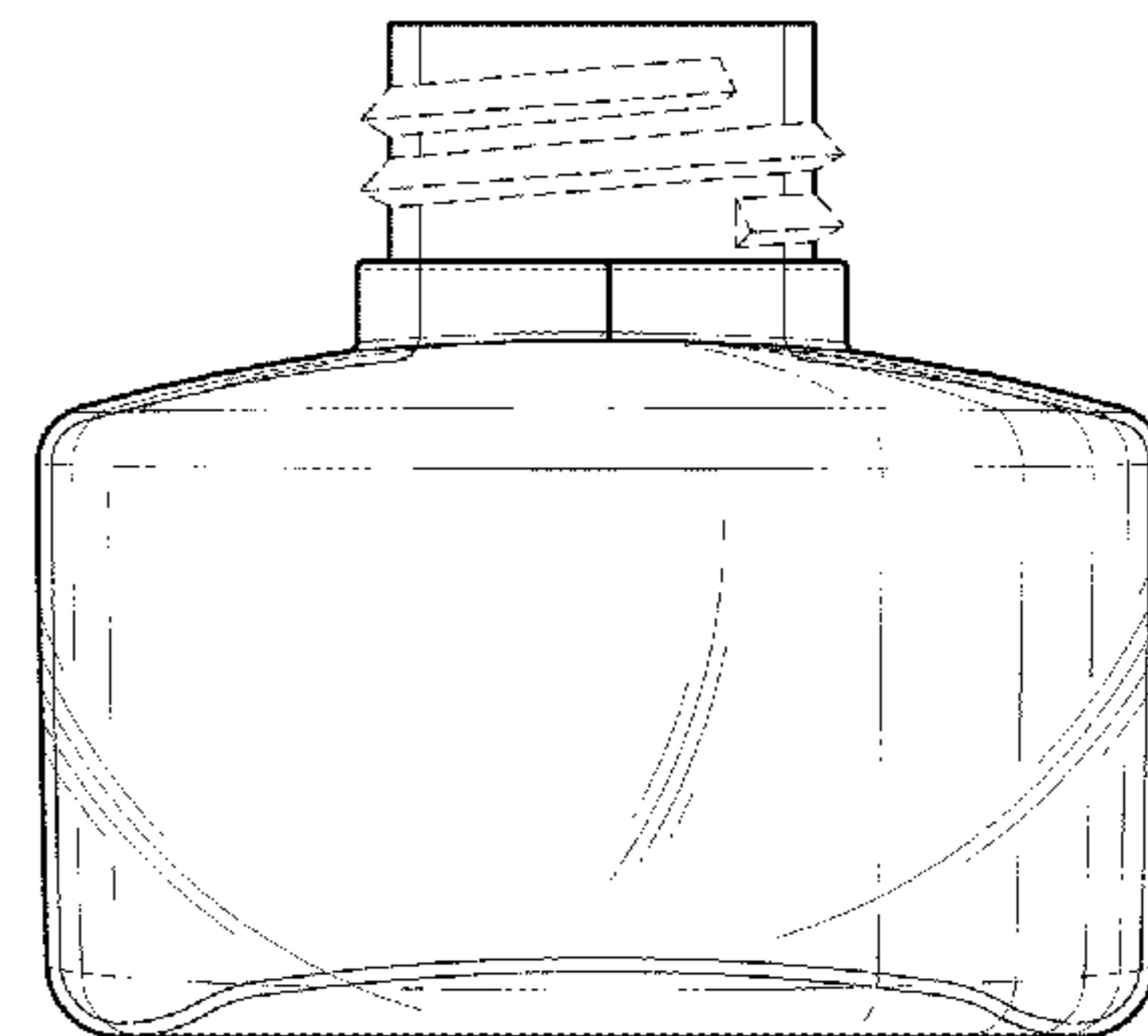
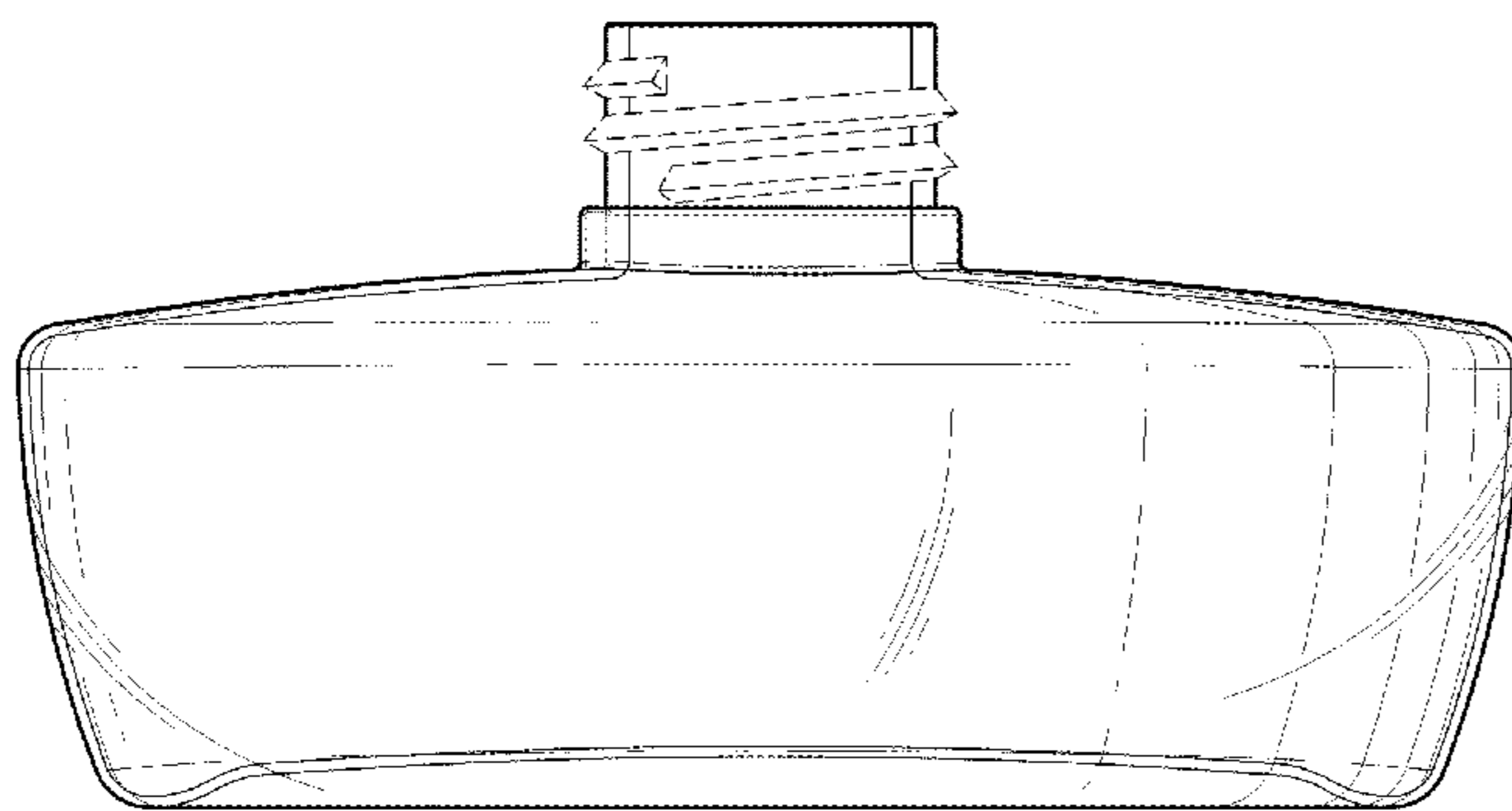
FIG. 5 is a rear view of the container of FIG. 1; and

FIG. 6 is a left side view of the container of FIG. 1; and,

FIG. 7 is a right side view of the container of FIG. 1.

The broken lines in the drawings showing the thread of the container pour spout illustrate the portions of the design that form no part of the claim.

1 Claim, 4 Drawing Sheets



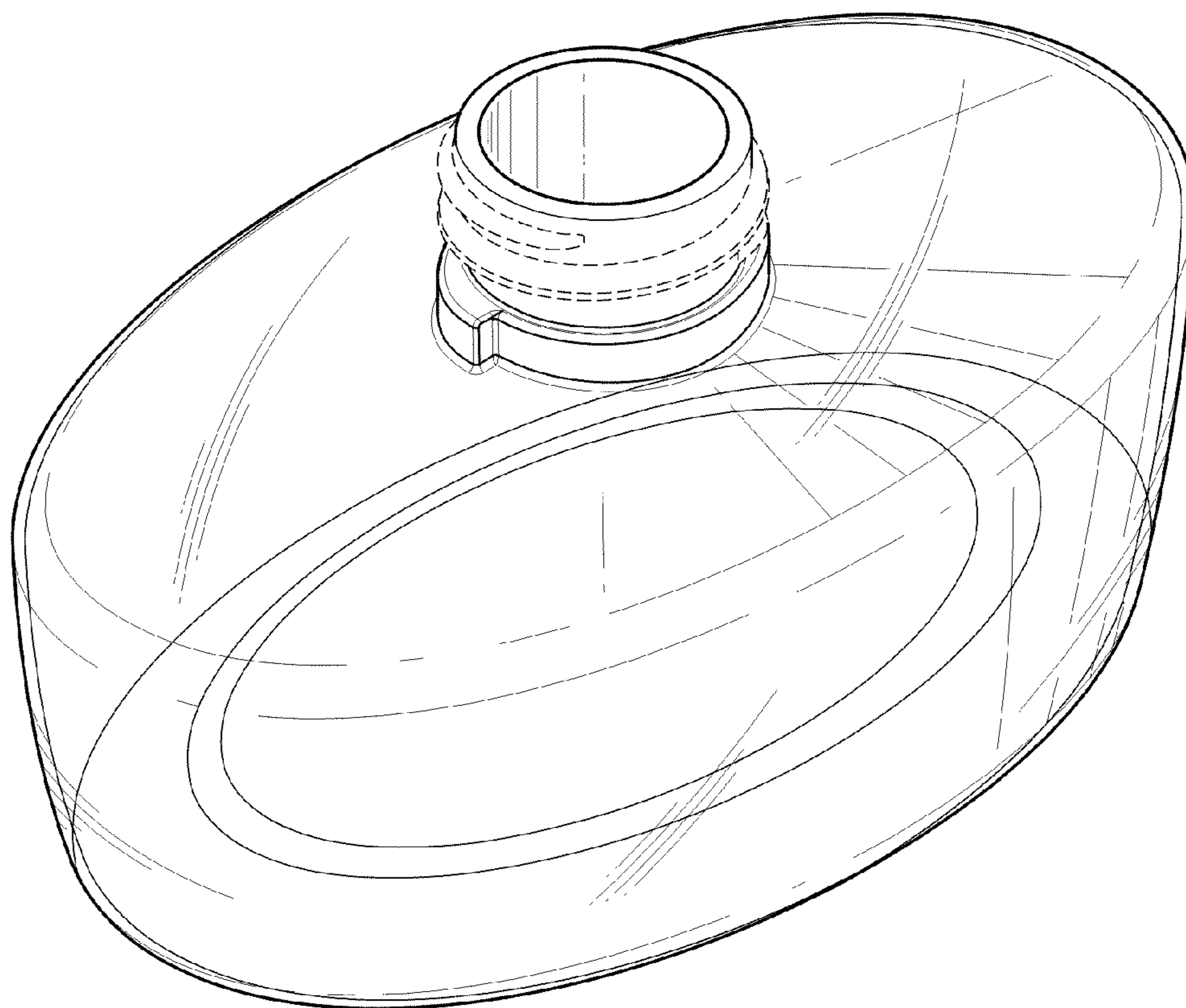


FIG. 1

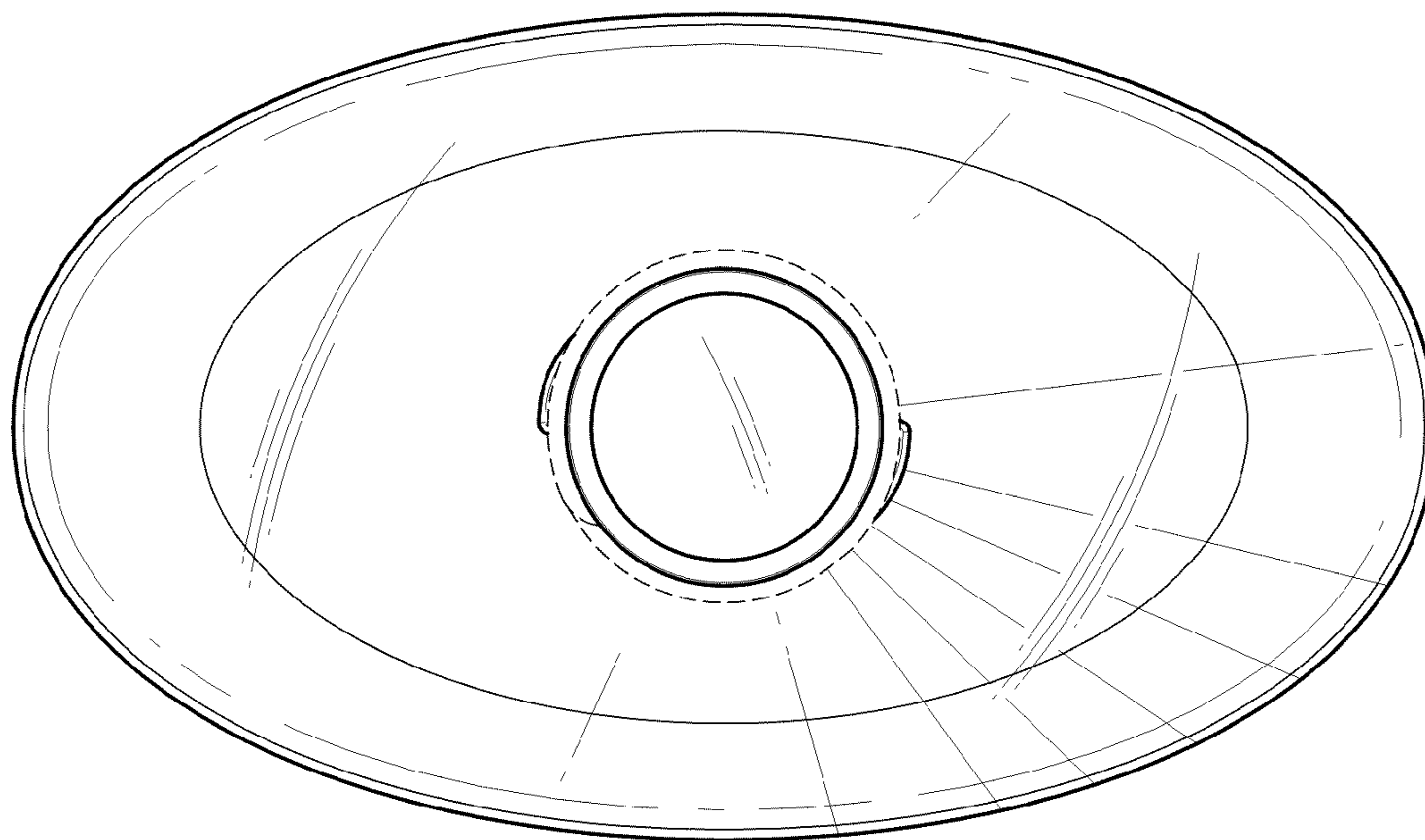


FIG. 2

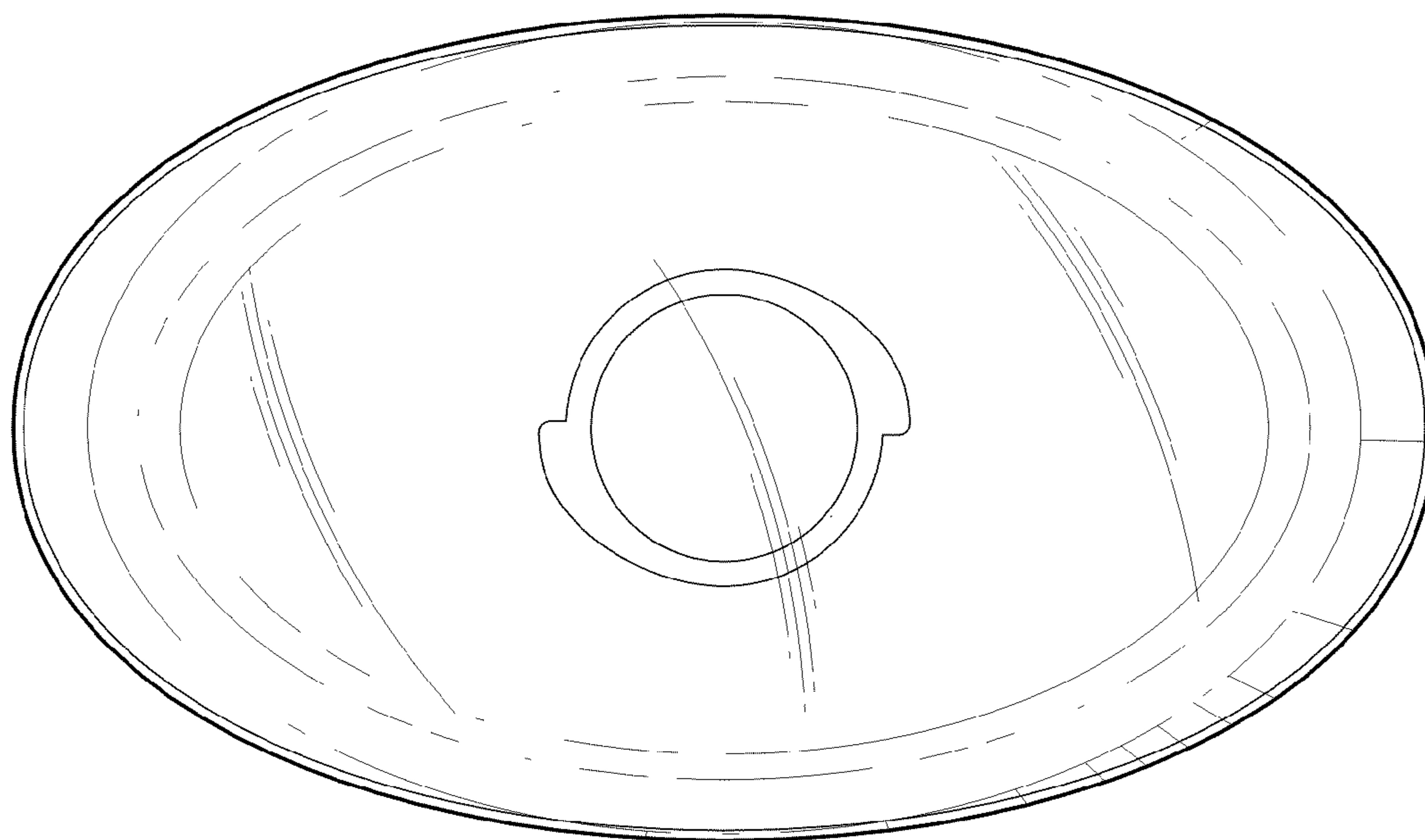


FIG. 3

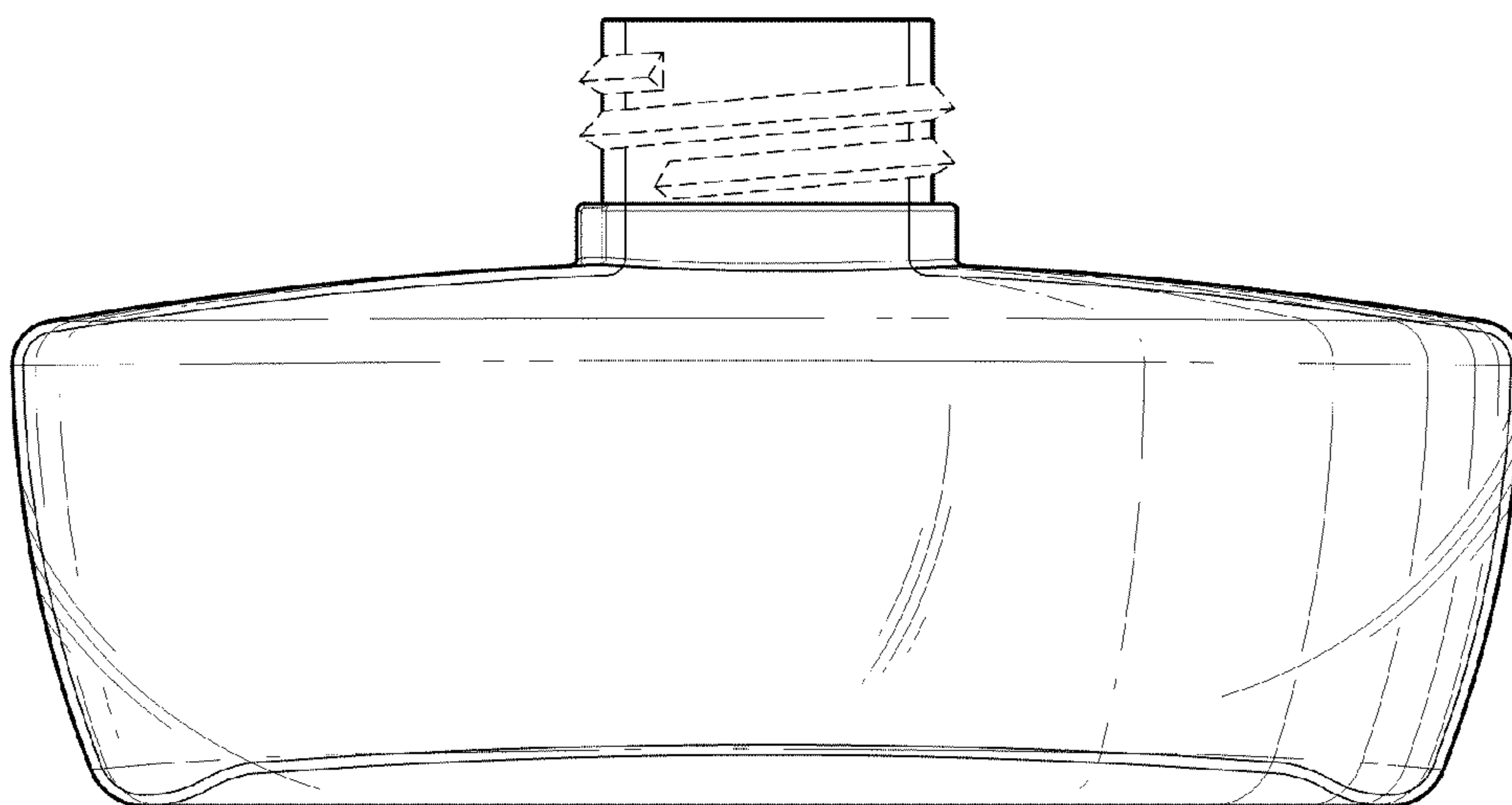


FIG. 4

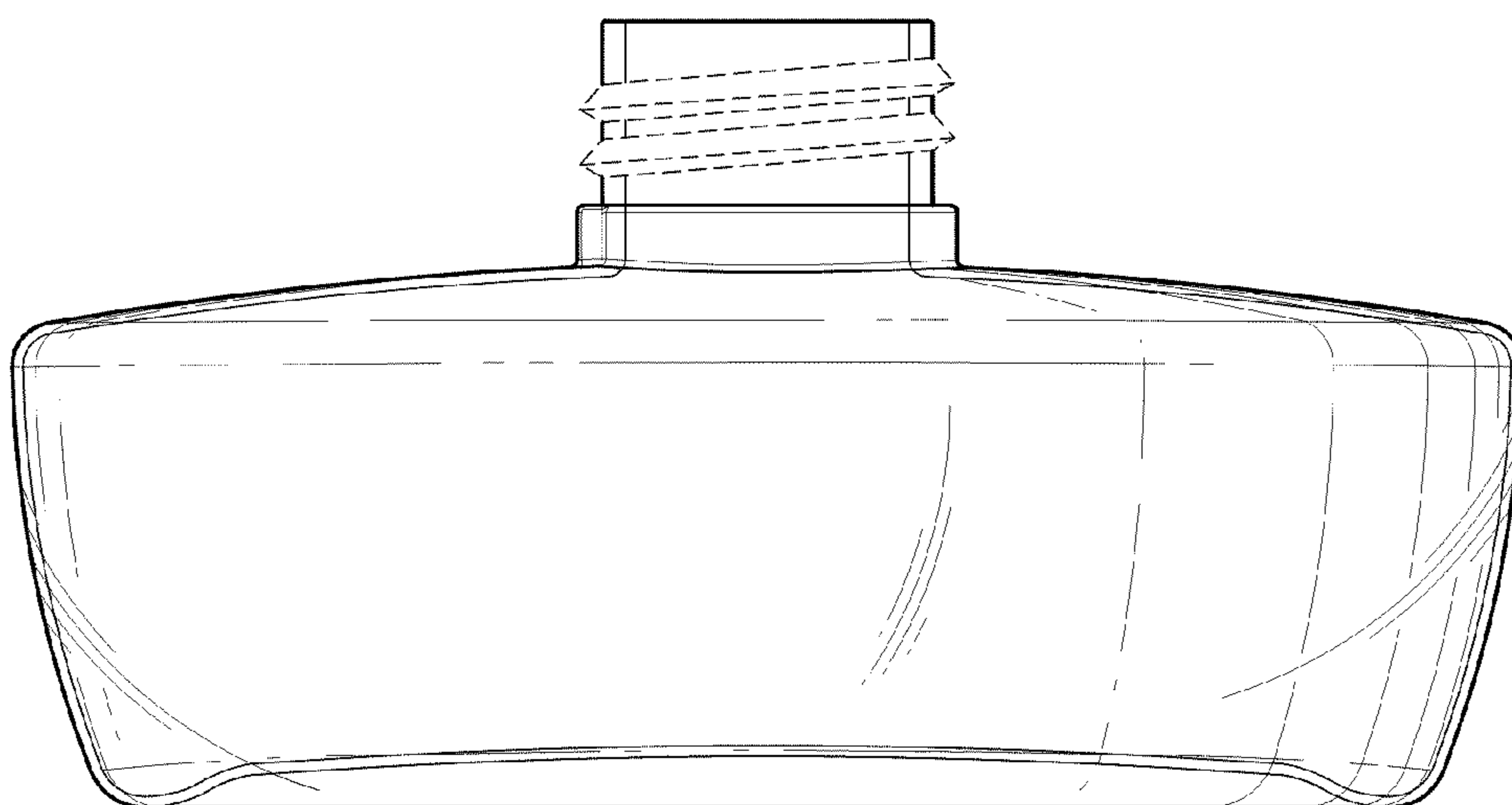


FIG. 5

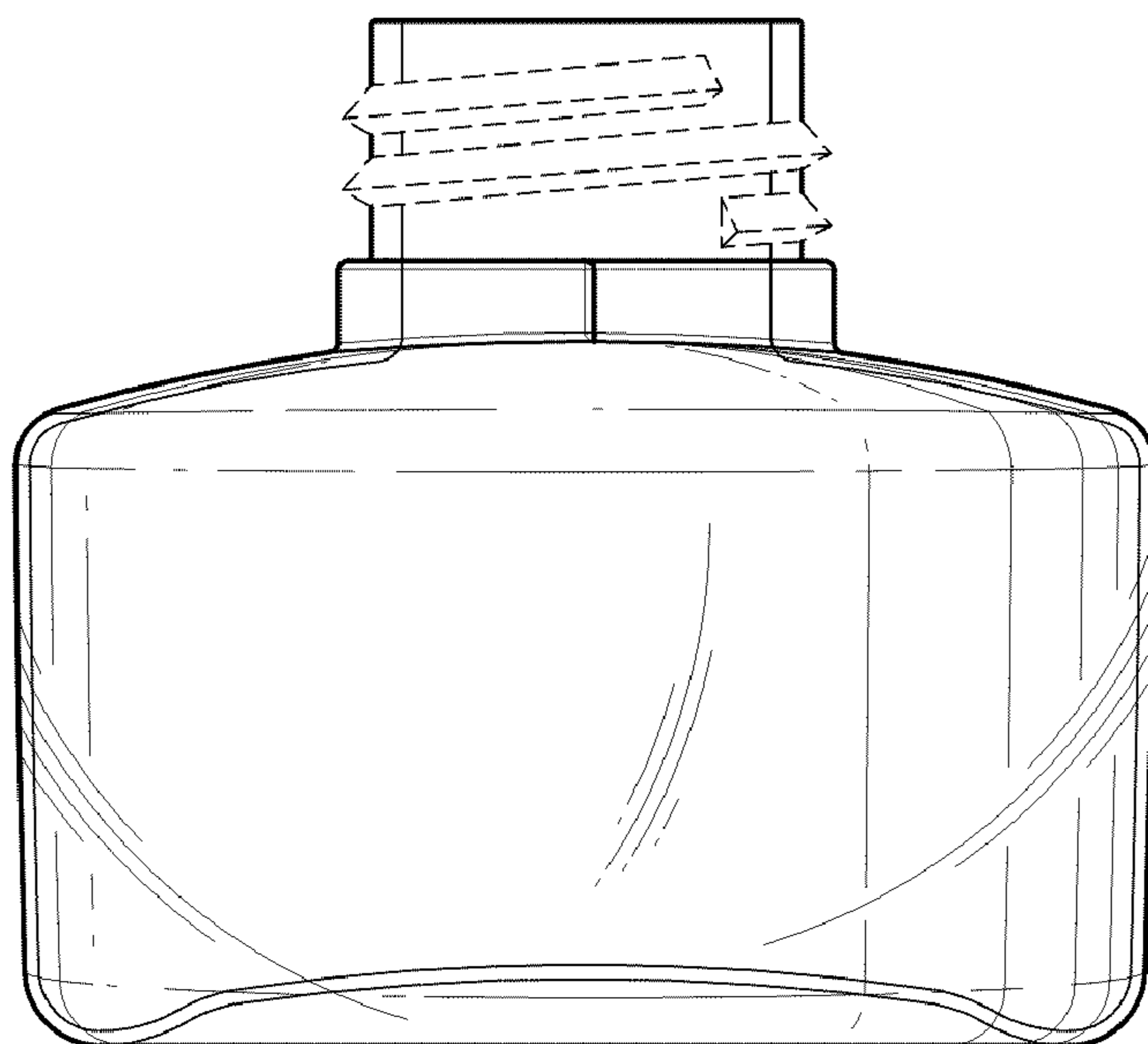


FIG. 6

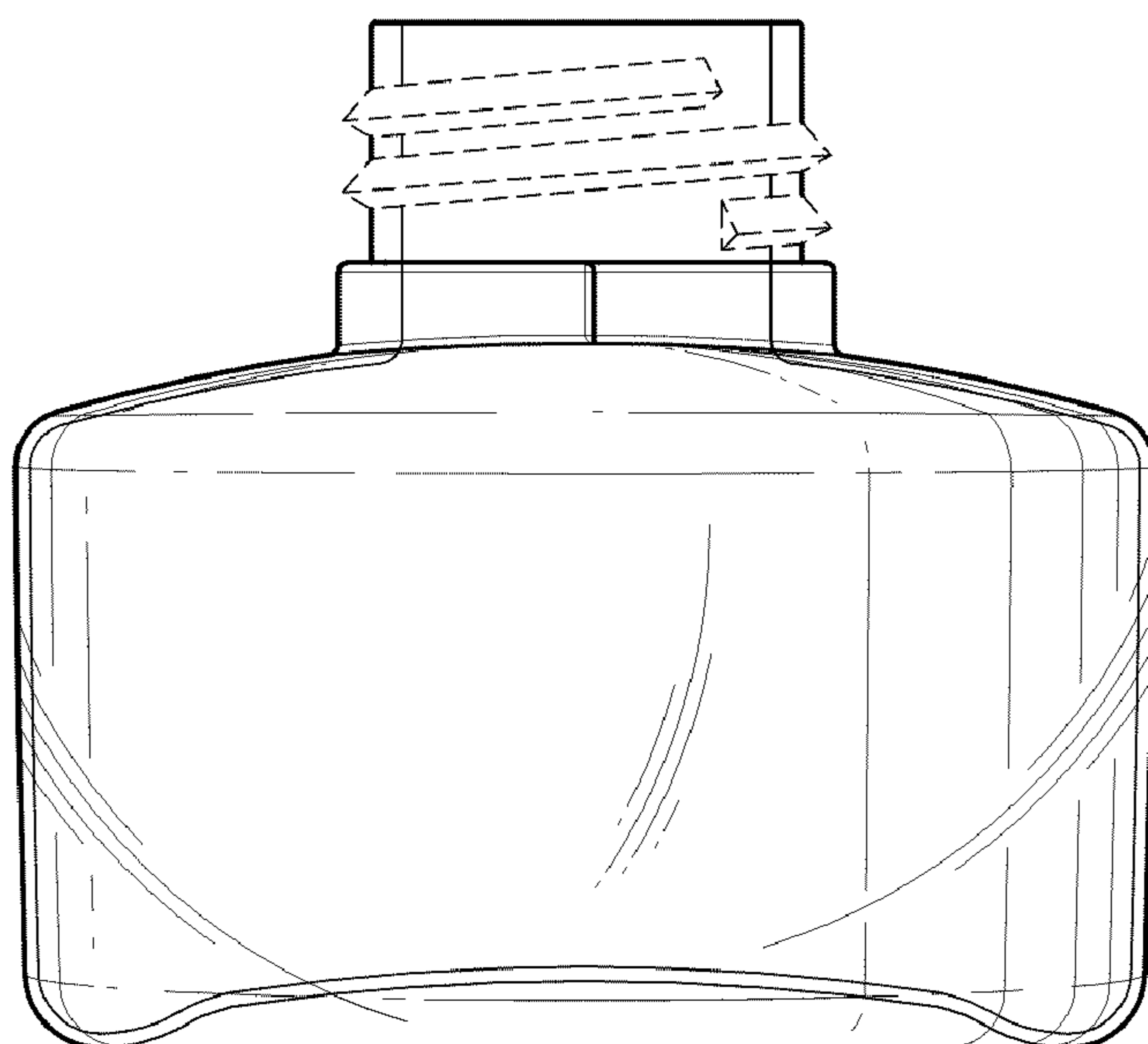


FIG. 7