



US00D642926S

(12) **United States Design Patent**
Jamieson et al.

(10) **Patent No.:** **US D642,926 S**

(45) **Date of Patent:** **** Aug. 9, 2011**

(54) **BOTTLE**

(75) Inventors: **John Edward Jamieson**, Walnut Creek, CA (US); **Tatyana Balte**, San Francisco, CA (US)

(73) Assignee: **The Armor All/STP Products Company**, Danbury, CT (US)

(**) Term: **14 Years**

(21) Appl. No.: **29/353,278**

(22) Filed: **Jan. 6, 2010**

(51) **LOC (9) Cl.** **09-01**

(52) **U.S. Cl.** **D9/542**

(58) **Field of Classification Search** D9/516,
D9/530, 537, 539, 542, 559, 560, 572, 574;
215/381-385; 220/660, 662, 669
See application file for complete search history.

(56) **References Cited**

U.S. PATENT DOCUMENTS

D365,521 S	12/1995	Bevan	
D398,240 S	9/1998	Willardson	
D398,537 S	* 9/1998	Henderson et al.	D9/542
D430,032 S	* 8/2000	Feen	D9/523
D465,735 S	* 11/2002	Woodall	D9/560
D472,153 S	* 3/2003	Feen	D9/539
D501,405 S	2/2005	Feen	
D510,028 S	9/2005	Hasler	

D540,175 S	4/2007	Goodive
D548,094 S	8/2007	Salas
D576,884 S	9/2008	Feen
D600,560 S	9/2009	Sultan
D600,562 S	9/2009	Sultan

* cited by examiner

Primary Examiner — Stella Reid

Assistant Examiner — Keli L Hill

(74) *Attorney, Agent, or Firm* — Ohlandt, Greeley, Ruggiero & Perle, L.L.P.

(57) **CLAIM**

The ornamental design for a bottle, as shown and described.

DESCRIPTION

FIG. 1 is a front/perspective view of a bottle of the present invention;

FIG. 2 is a front view thereof;

FIG. 3 is a rear view thereof;

FIG. 4 is a left side view thereof;

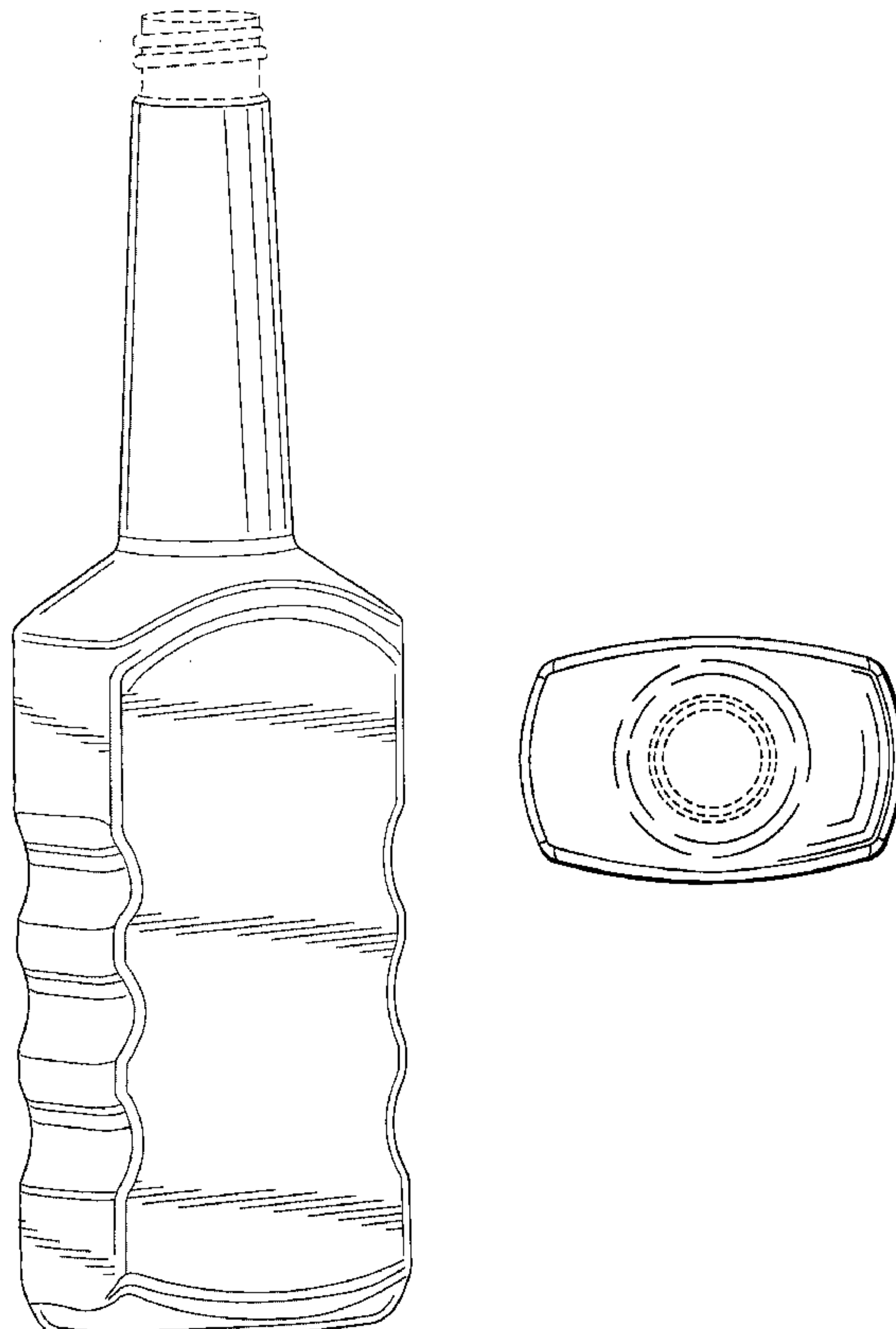
FIG. 5 is a right side view thereof;

FIG. 6 is a top view thereof; and,

FIG. 7 is a bottom view thereof.

The broken lines shown in the drawing are included for the purpose of showing environmental structure and form no part of the claimed design.

1 Claim, 4 Drawing Sheets



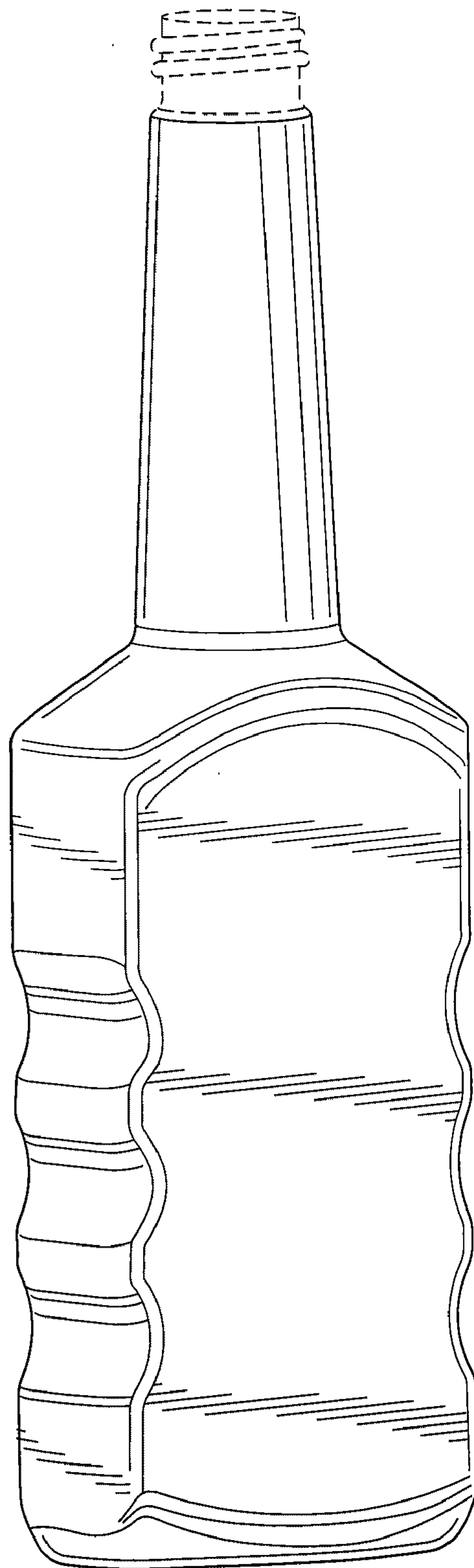


FIG. 1

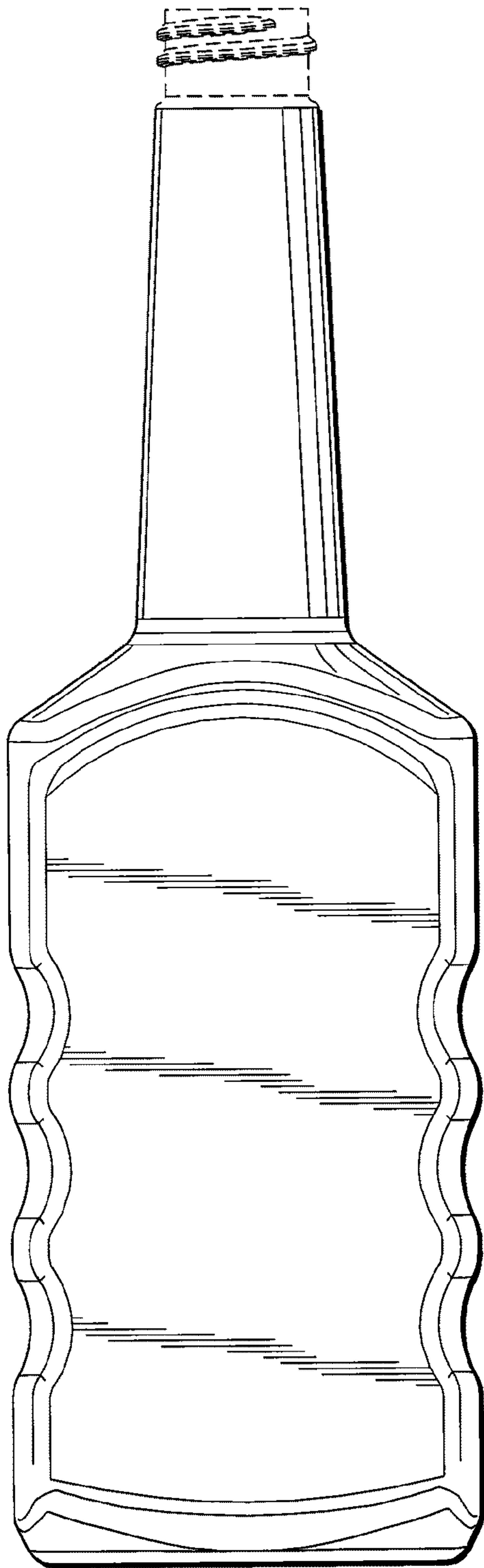


FIG. 2

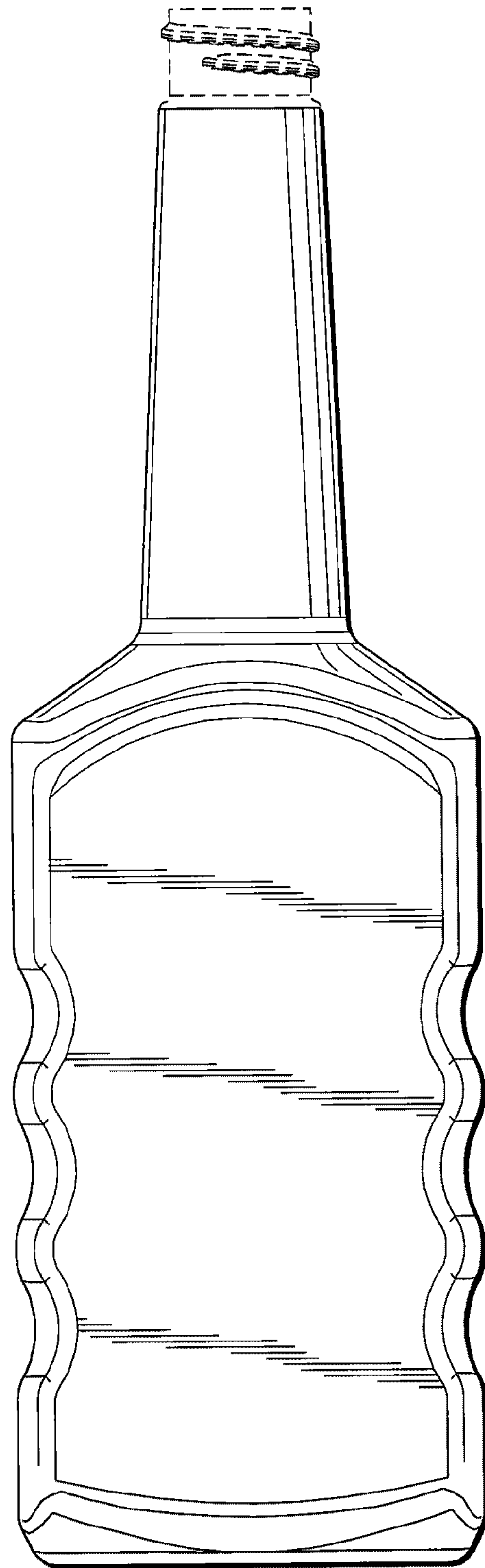


FIG. 3

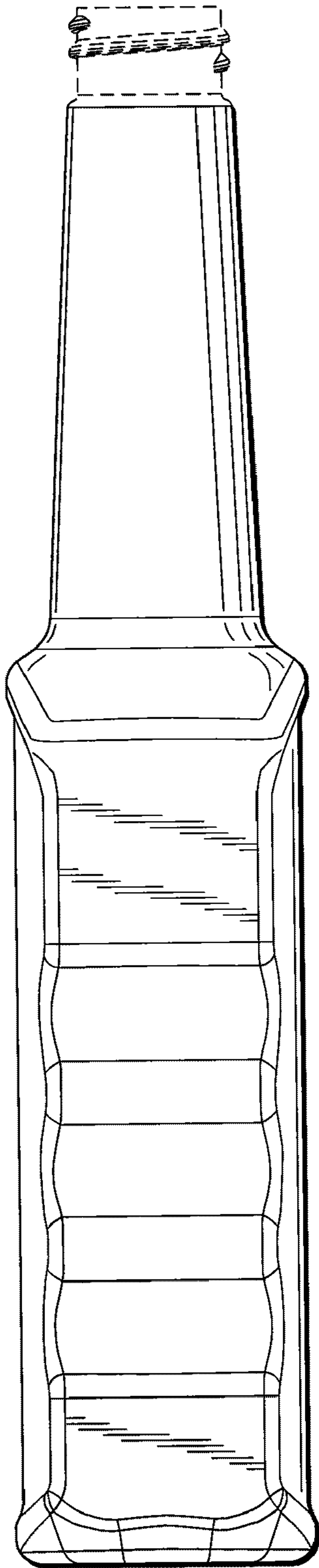


FIG. 4

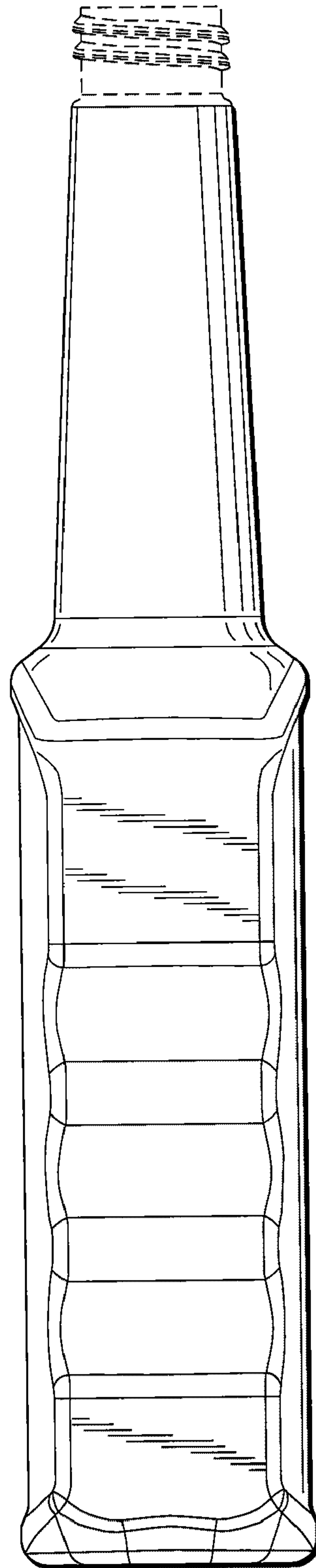


FIG. 5

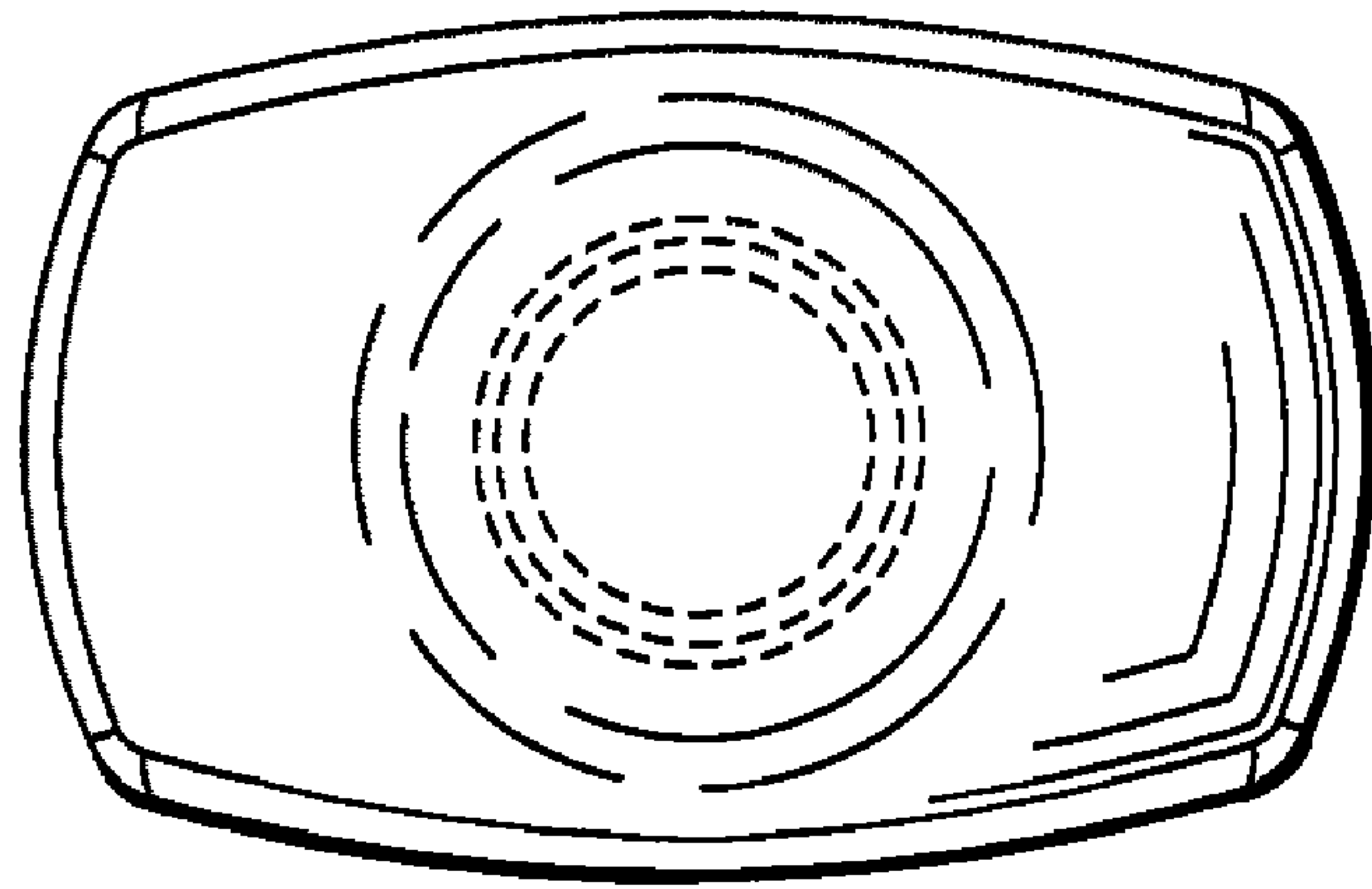


FIG. 6

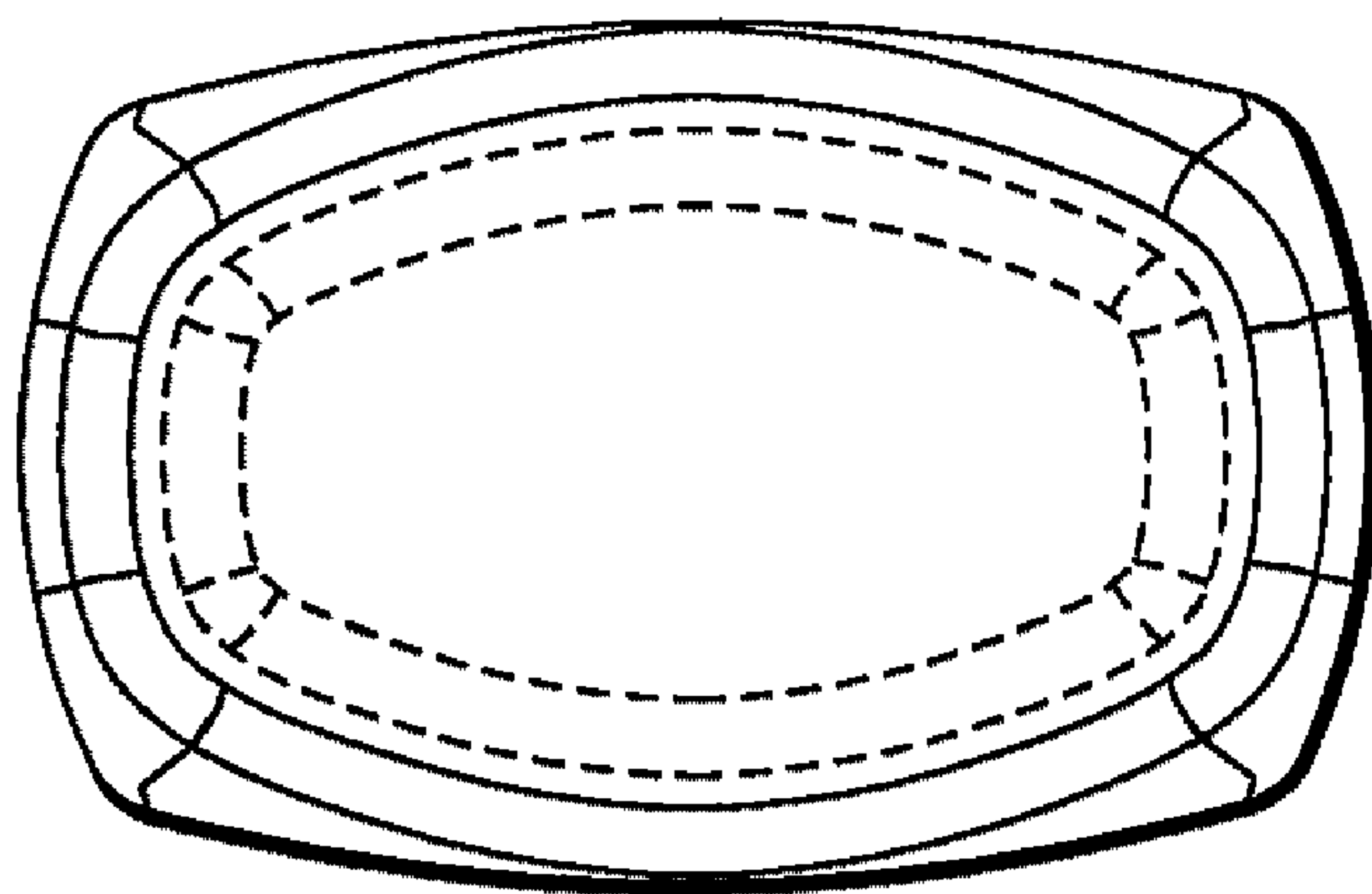


FIG. 7