



US00D642924S

(12) **United States Design Patent**
Newton

(10) **Patent No.:** **US D642,924 S**

(45) **Date of Patent:** **** Aug. 9, 2011**

(54) **BOTTLE WITH CAP**

(75) **Inventor:** **Paul Newton, Hull (GB)**

(73) **Assignee:** **Reckitt & Colman (Overseas) Limited, Berkshire (GB)**

(**) **Term:** **14 Years**

(21) **Appl. No.:** **29/362,316**

(22) **Filed:** **May 24, 2010**

(30) **Foreign Application Priority Data**

Nov. 26, 2009 (EM) 001640657-0003

(51) **LOC (9) Cl.** **09-01**

(52) **U.S. Cl.** **D9/522; D9/443; D9/453**

(58) **Field of Classification Search** D9/686-687,
D9/693-694, 521-522, 529, 537-543, 549,
D9/572, 575, 446-447, 449; 220/660, 662,
220/669, 675; D23/366, 368-369

See application file for complete search history.

(56) **References Cited**

U.S. PATENT DOCUMENTS

D359,453 S *	6/1995	Gavin	D9/522
D444,220 S *	6/2001	Basaganas	D23/366
D453,110 S *	1/2002	Bulsink	D9/522
D454,628 S *	3/2002	Basaganas	D23/366
D477,066 S *	7/2003	Loneczak et al.	D9/658
D488,213 S *	4/2004	Millan	D23/366
D503,621 S *	4/2005	Heater	D9/575 X
D505,330 S *	5/2005	Wolpert	D9/522
D518,730 S *	4/2006	Caserta et al.	D9/522
D536,979 S *	2/2007	Caserta et al.	D9/522

D536,980 S *	2/2007	Smith et al.	D9/522
D537,351 S *	2/2007	Caserta et al.	D9/575 X
D537,354 S *	2/2007	Caserta et al.	D9/543
D579,777 S *	11/2008	Weggelaar	D9/543 X
D590,270 S *	4/2009	Friedman et al.	D9/658
RE41,055 E *	12/2009	Choke-arpornchai et al.	D9/516 X
D616,751 S *	6/2010	Ko et al.	D9/522
D618,550 S *	6/2010	De Haan	D9/543 X
D619,464 S *	7/2010	Langley et al.	D9/575 X
D621,712 S *	8/2010	Tomas Vilarrasa et al.	...	D9/543 X

* cited by examiner

Primary Examiner — Carol Rademaker

(74) *Attorney, Agent, or Firm* — Norris McLaughlin & Marcus, P.A.

(57) **CLAIM**

The ornamental design for a bottle with cap, as shown and described.

DESCRIPTION

FIG. 1 is a top, front, right side perspective view of the bottle with cap;

FIG. 2 is a front elevational view thereof;

FIG. 3 is a rear elevational view thereof;

FIG. 4 is a right side elevational view thereof;

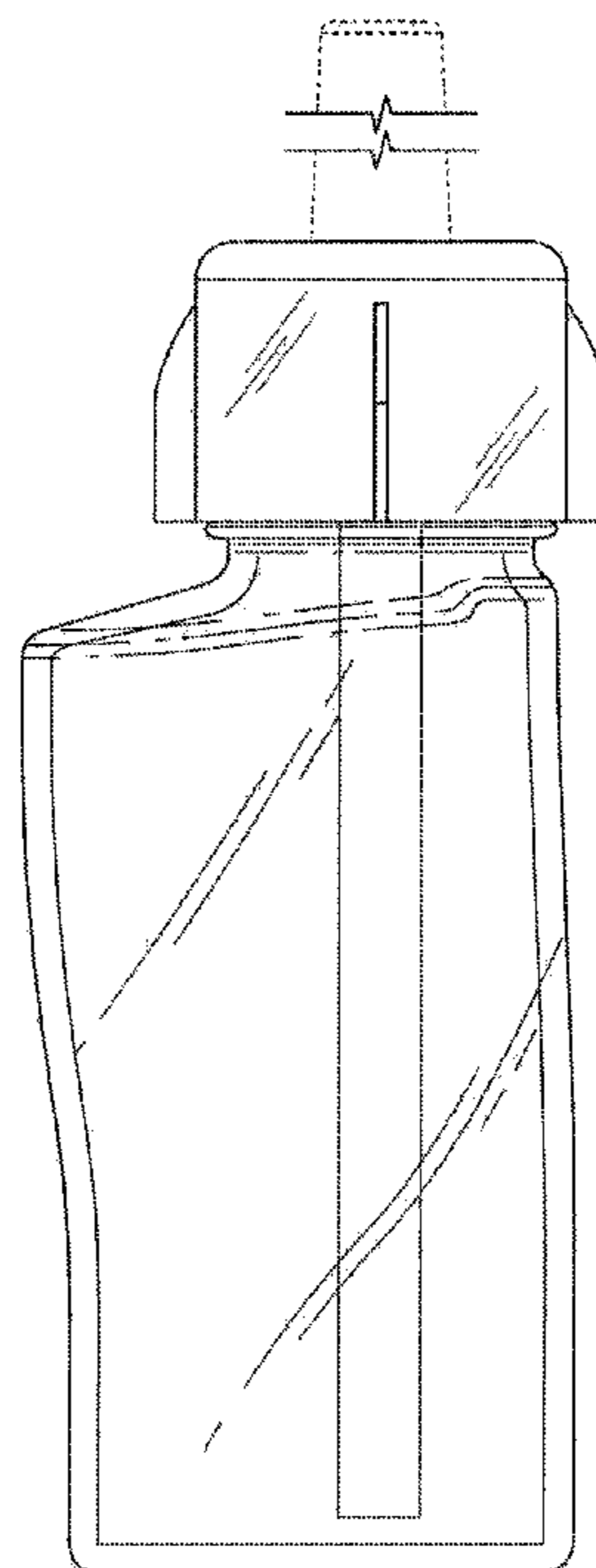
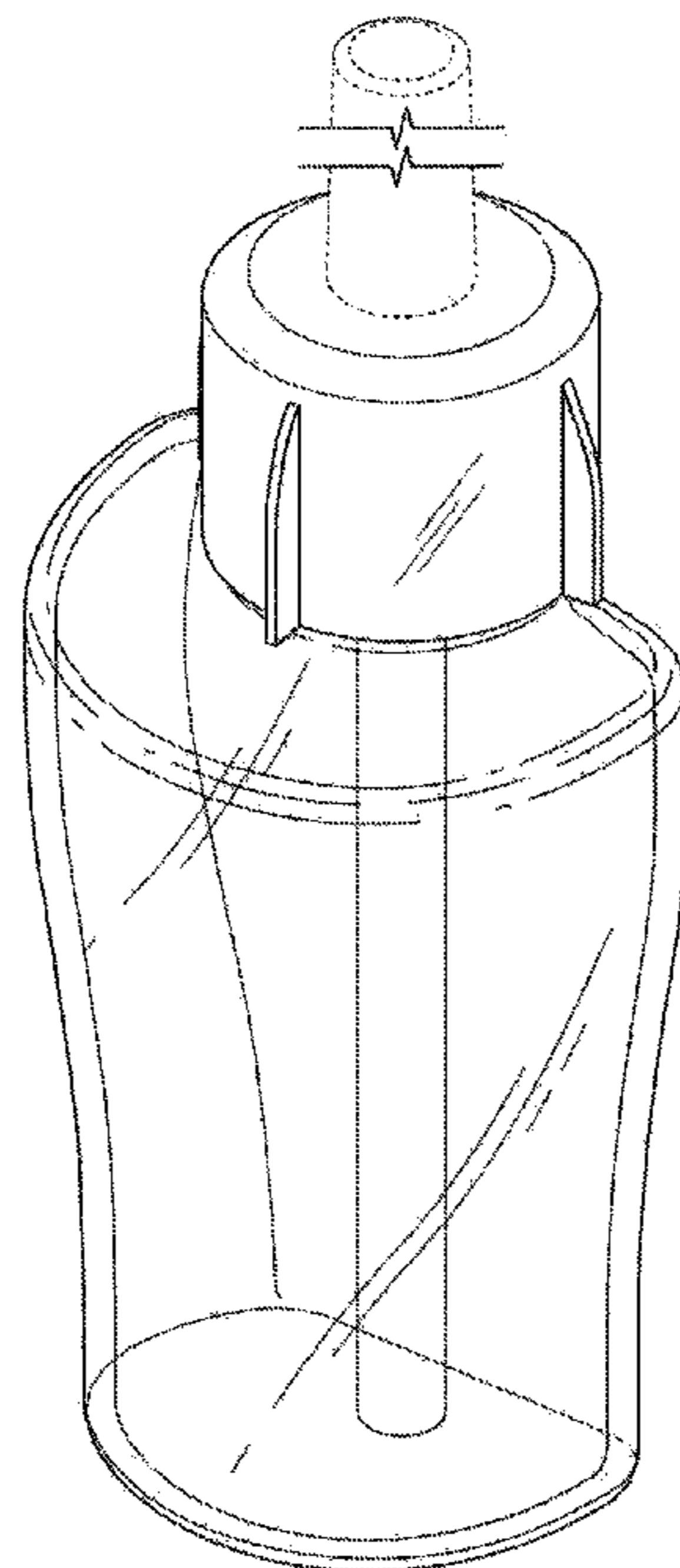
FIG. 5 is a left side elevational view thereof;

FIG. 6 is a top plan view thereof; and,

FIG. 7 is a bottom plan view thereof.

The broken lines shown in the drawings are for the purpose of illustrating environmental structure and form no part of the claimed design.

1 Claim, 6 Drawing Sheets



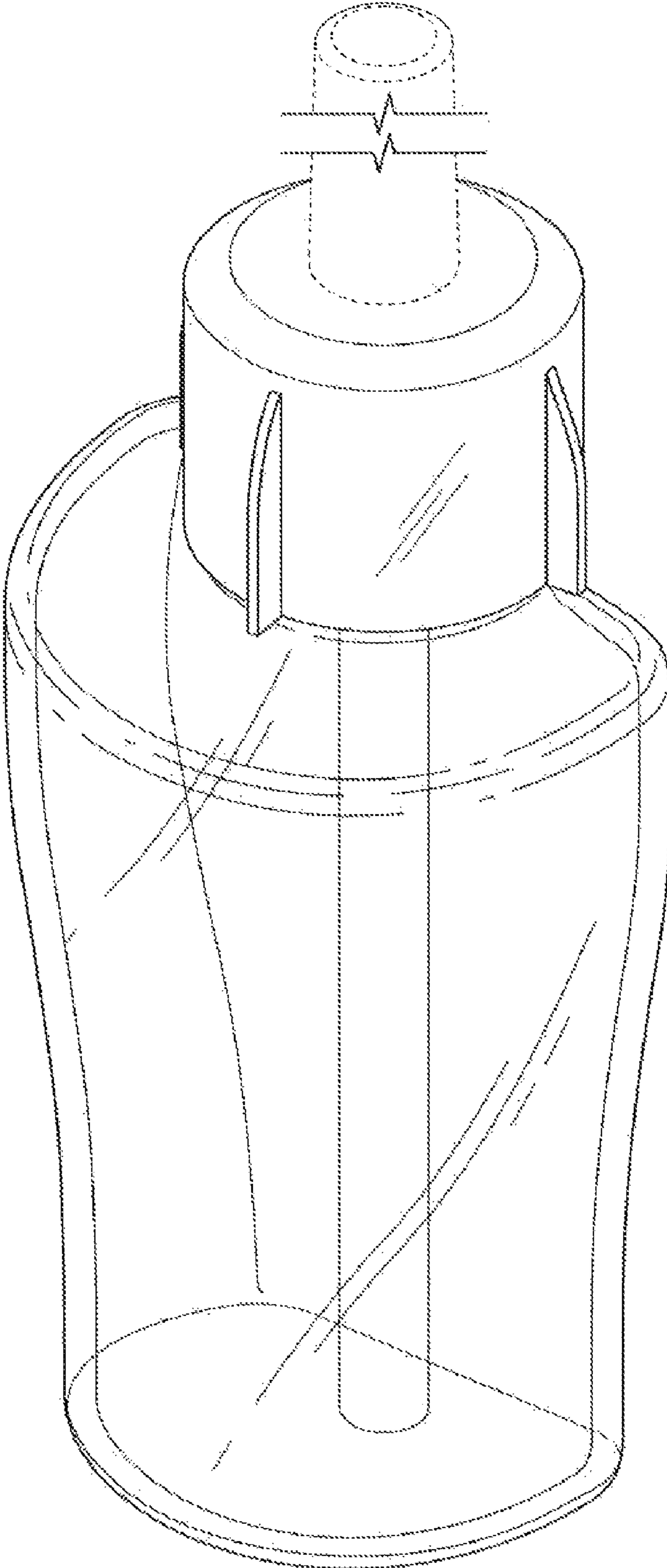


Fig. 1

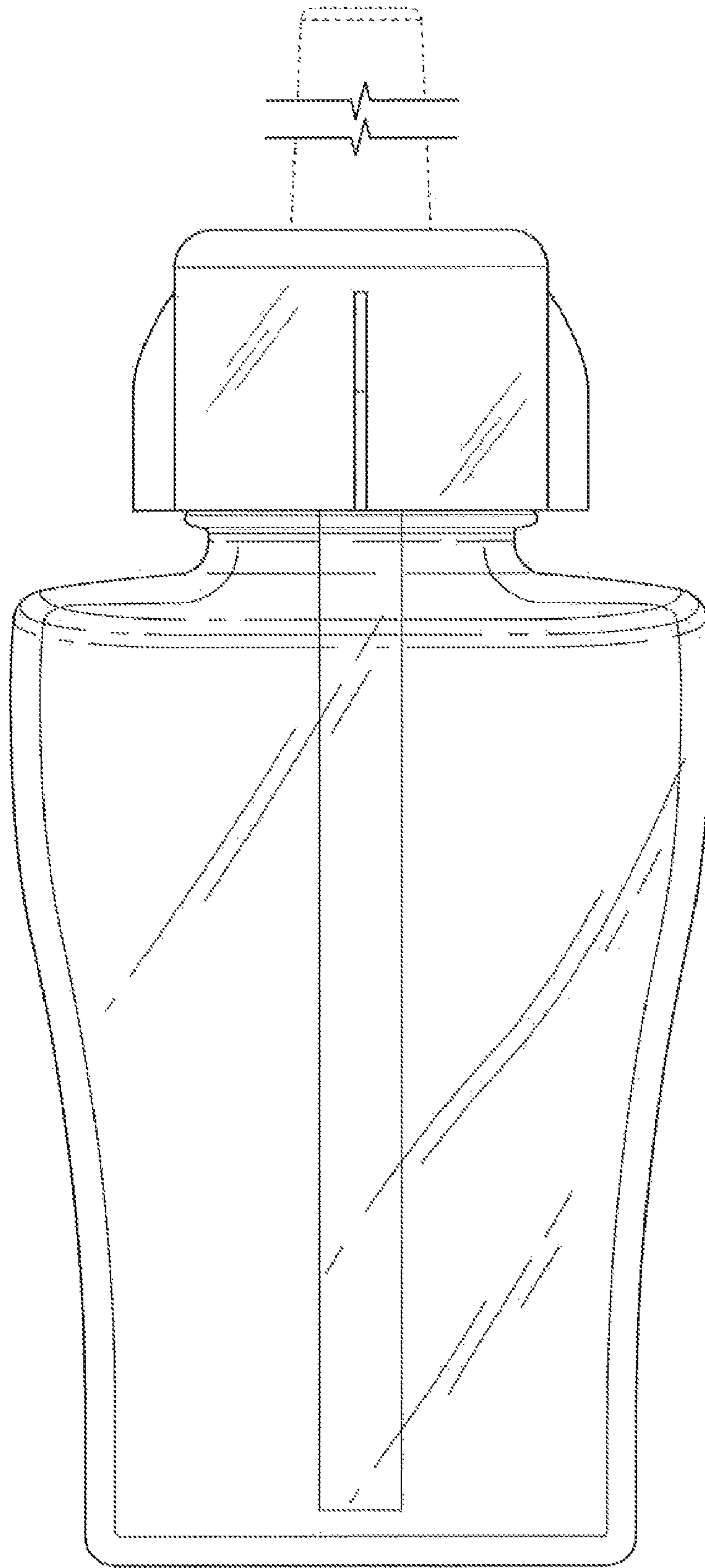


Fig. 2

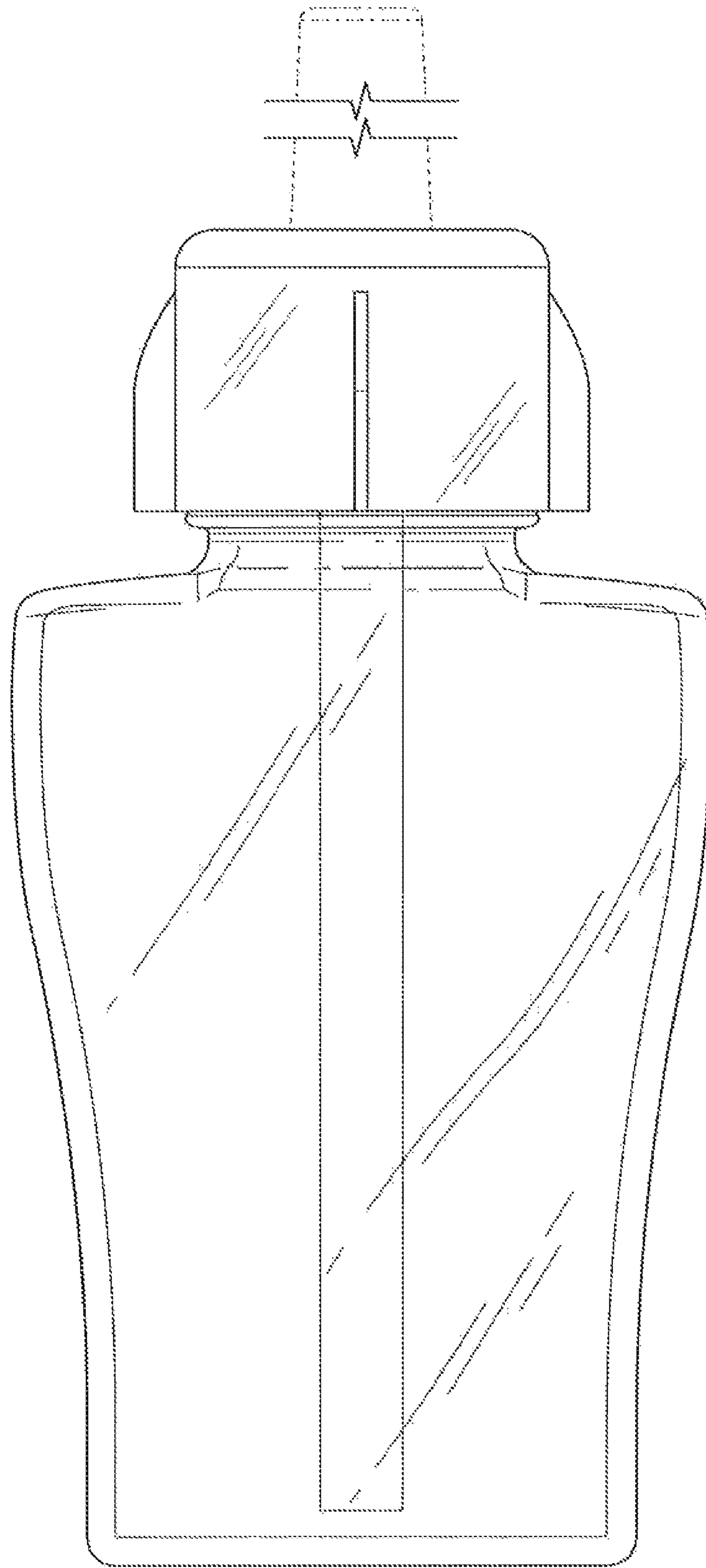


Fig.3

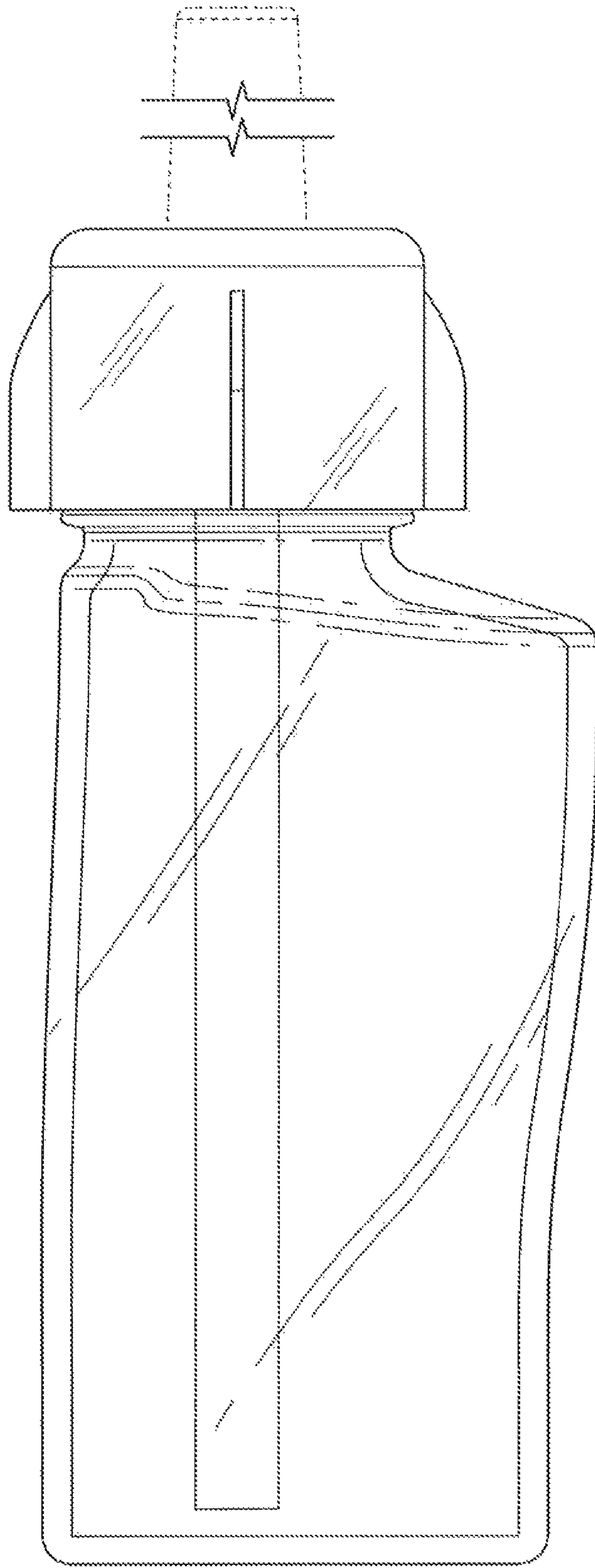


Fig. 4

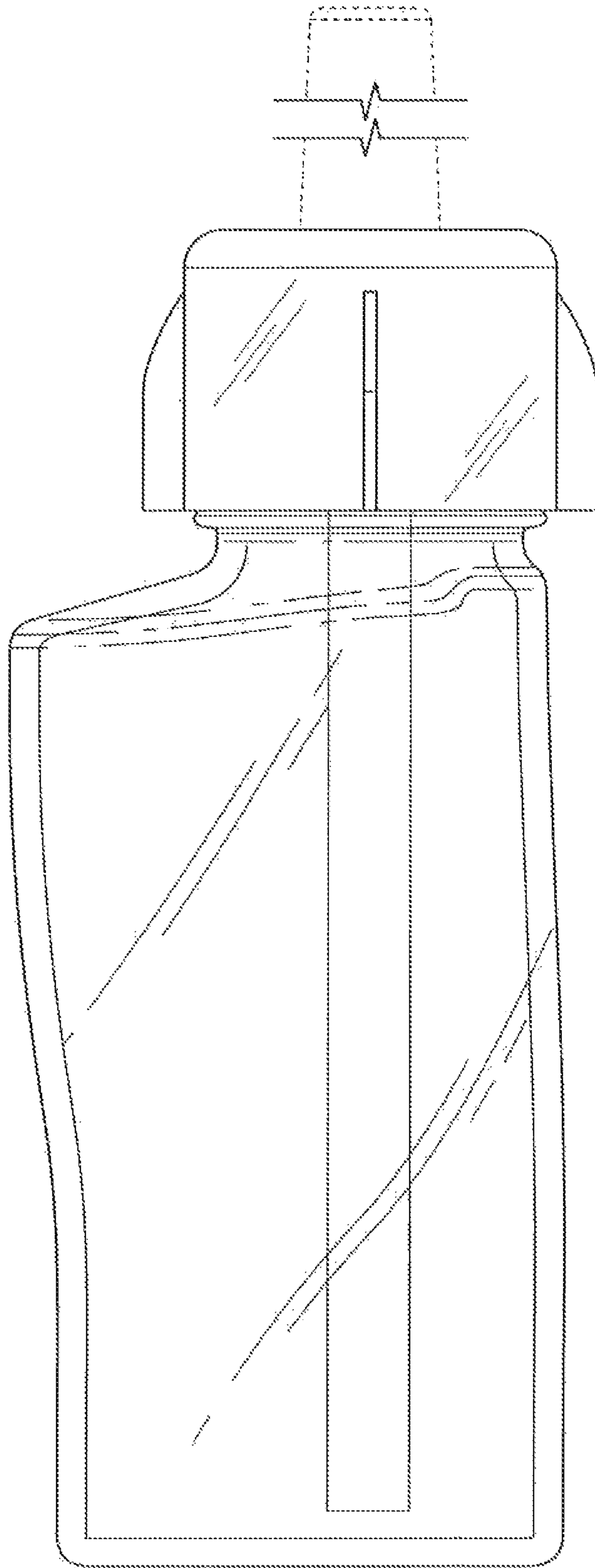


Fig.5

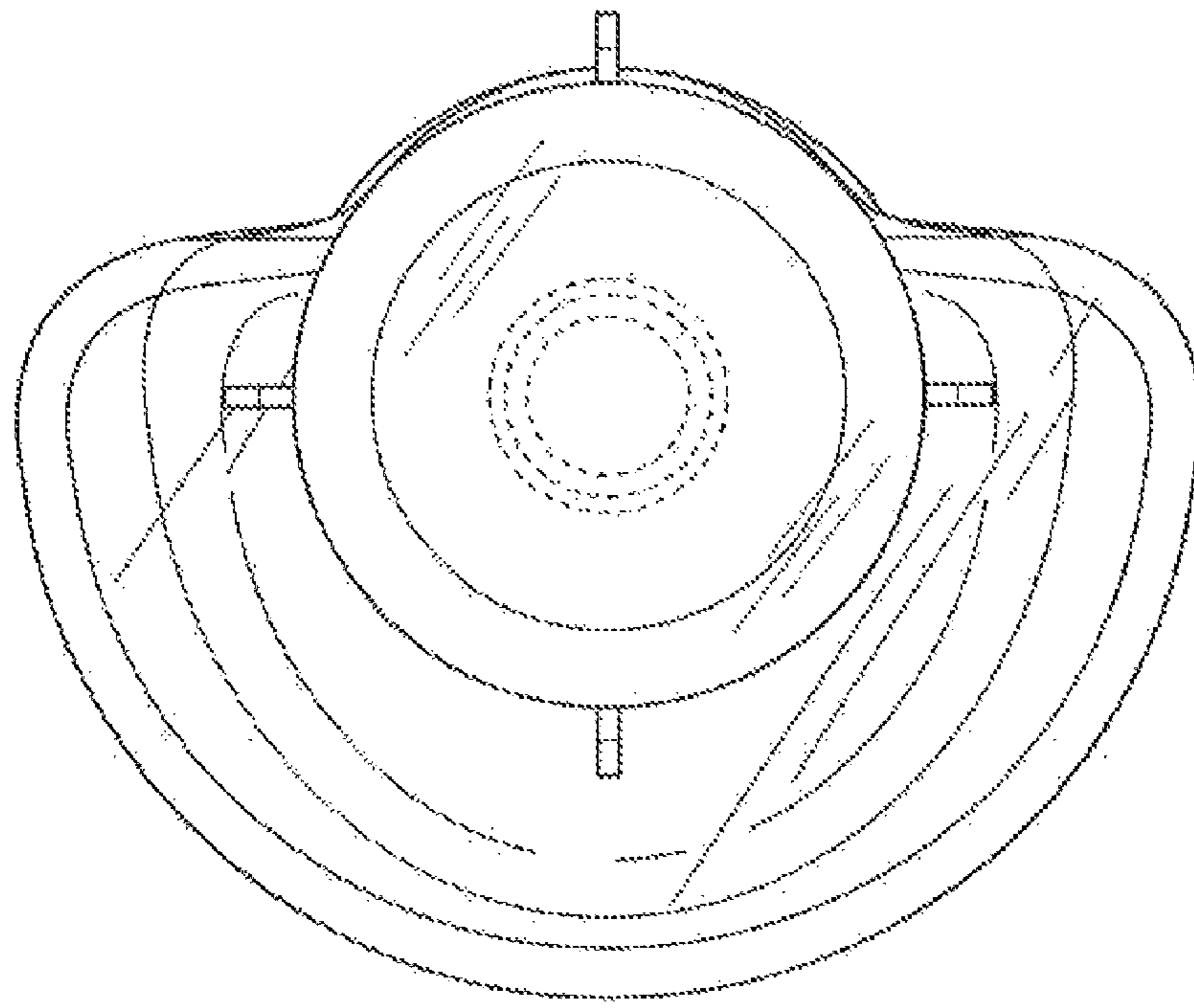


Fig.6

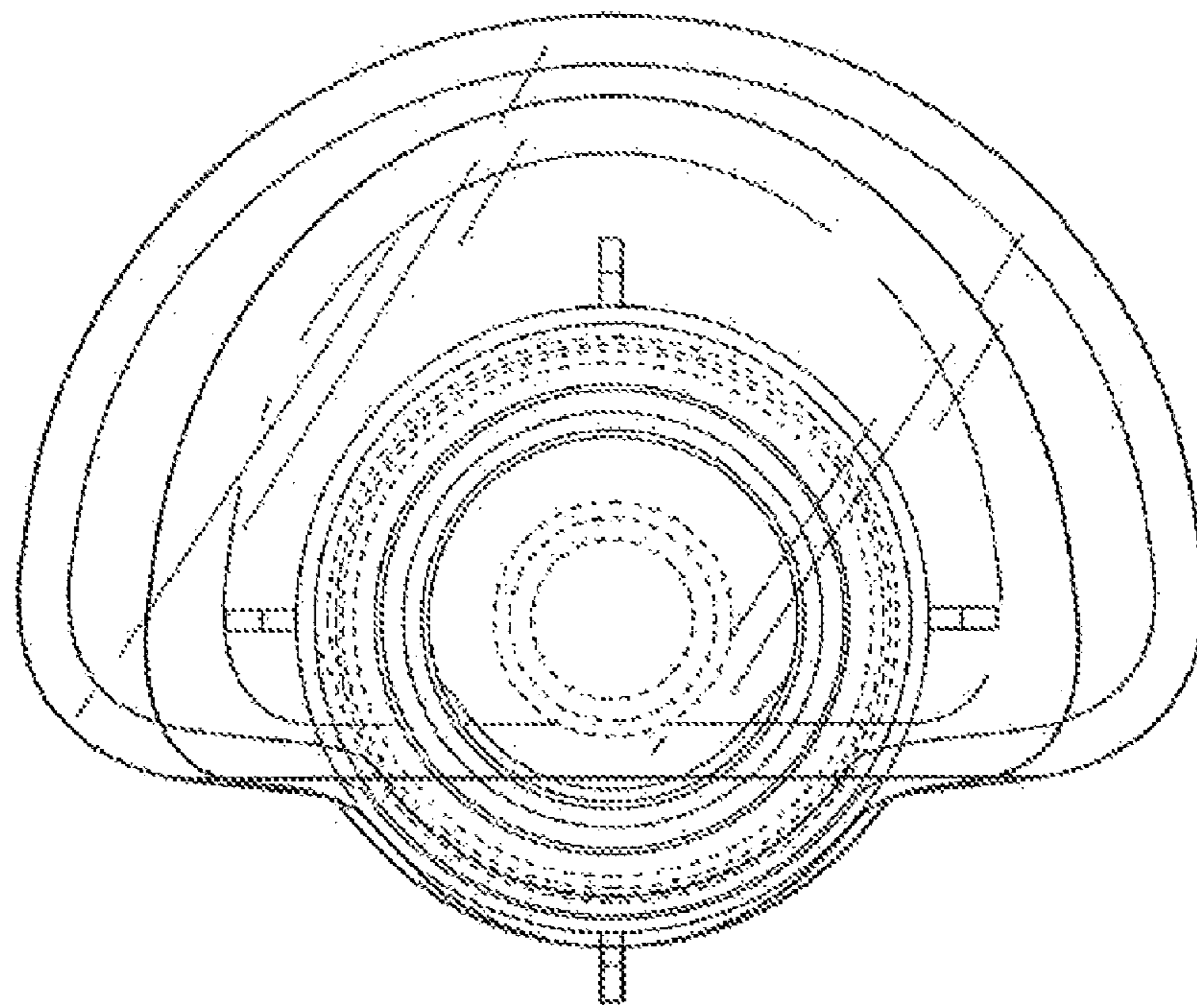


Fig.7