



US00D642915S

(12) **United States Design Patent**
Swingle et al.

(10) **Patent No.:** **US D642,915 S**

(45) **Date of Patent:** **** Aug. 9, 2011**

(54) **CAN CLOSER**

(76) Inventors: **Joseph Swingle**, Simpson, PA (US);
Elizabeth Swingle, Simpson, PA (US)

(**) Term: **14 Years**

(21) Appl. No.: **29/370,824**

(22) Filed: **Sep. 13, 2010**

(51) **LOC (9) Cl.** **09-07**

(52) **U.S. Cl.** **D9/440; D9/454**

(58) **Field of Classification Search** D9/656,
D9/635, 565, 454, 452, 451, 447, 446, 441,
D9/440, 439, 435; D7/399, 396, 396.5, 395,
D7/393, 392.1, 387, 321, 300.2; D24/130,
D24/129; D21/713; 222/529, 478, 153.06;
220/825, 276, 254.8, 254.4; 215/364, 356,
215/355, 230

See application file for complete search history.

(56) **References Cited**

U.S. PATENT DOCUMENTS

D218,808	S	*	9/1970	Weber	D9/439
3,951,316	A		4/1976	O'Neal		
3,952,914	A		4/1976	Vogt		
D241,018	S	*	8/1976	De Amicis	D9/439
D275,839	S	*	10/1984	Lutzker	D9/439
D370,846	S	*	6/1996	Hanna	D9/439
6,158,608	A		12/2000	Schlatti		
D522,860	S	*	6/2006	LaFortune	D9/449
D567,086	S	*	4/2008	Buchman et al.	D9/454
D571,202	S	*	6/2008	Vogt	D9/439

D578,392 S * 10/2008 Khalil D9/454
7,594,584 B2 9/2009 Durdon et al.
D624,356 S * 9/2010 Davies et al. D7/392.1

* cited by examiner

Primary Examiner — Susan Bennett Hattan

(74) *Attorney, Agent, or Firm* — Paul R. Martin

(57) **CLAIM**

The ornamental design for a can closer, as shown and described.

DESCRIPTION

FIG. 1 is a perspective view from above of my new design for a can closer.

FIG. 2 is a perspective view from below of my new design for a can closer.

FIG. 3 is a top plan view of the can closer shown in FIG. 1.

FIG. 4 is elevational view of the front of the can closer shown in FIG. 1.

FIG. 5 is an elevational view of one side of the can closer shown in FIG. 1.

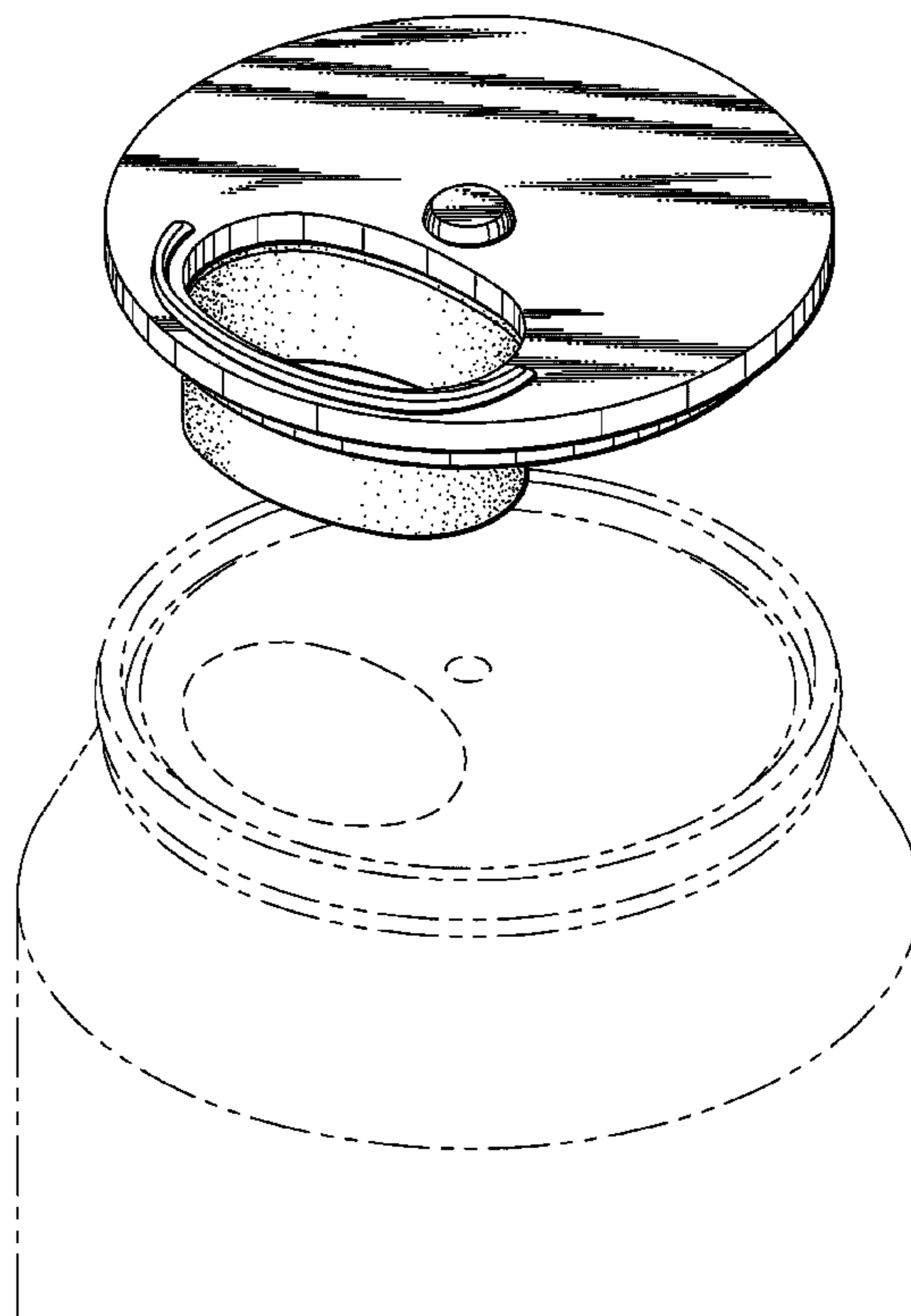
The view from the opposite side would be a mirror image thereof.

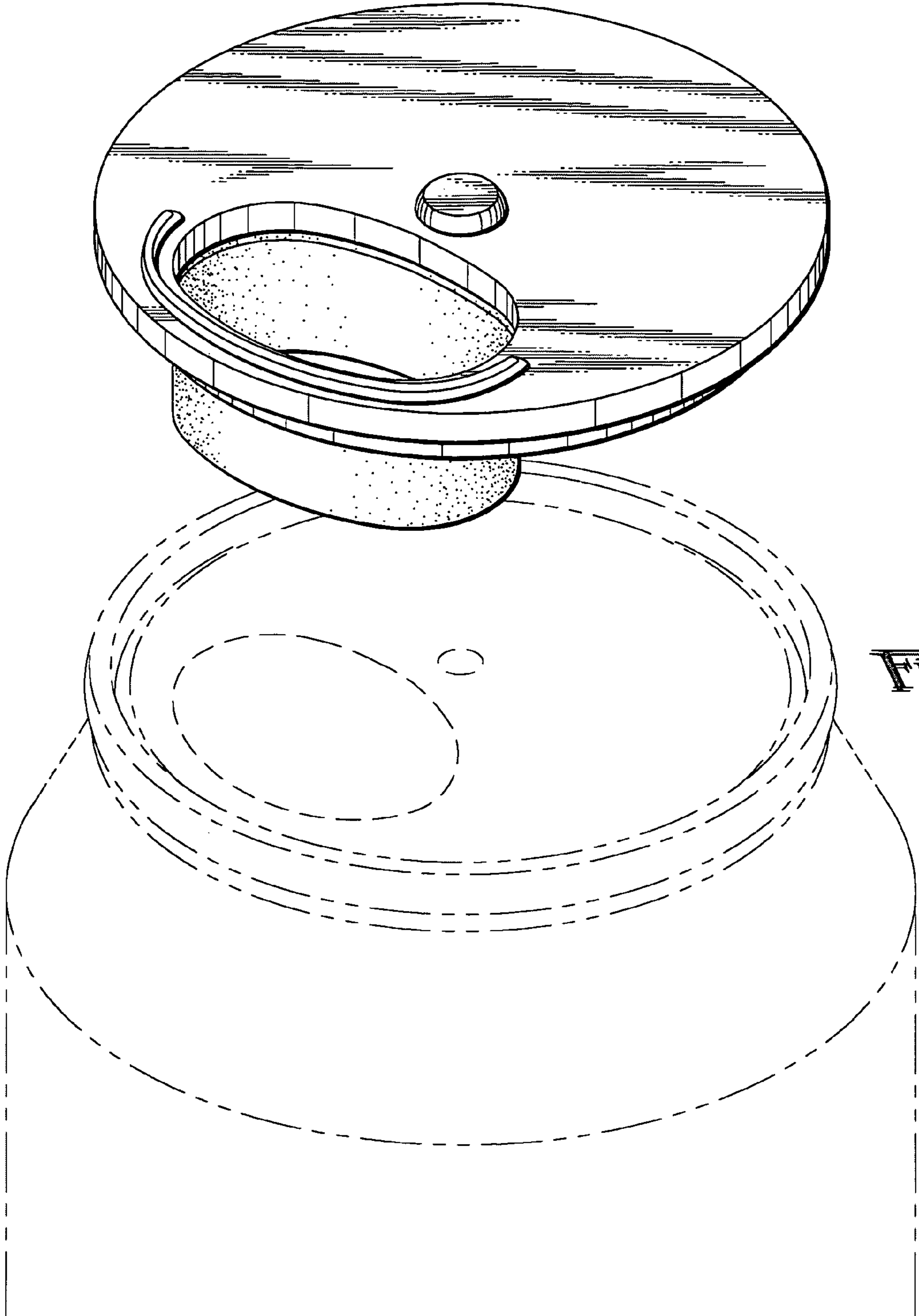
FIG. 6 is an elevational view from the rear of the can closer shown in FIG. 1; and,

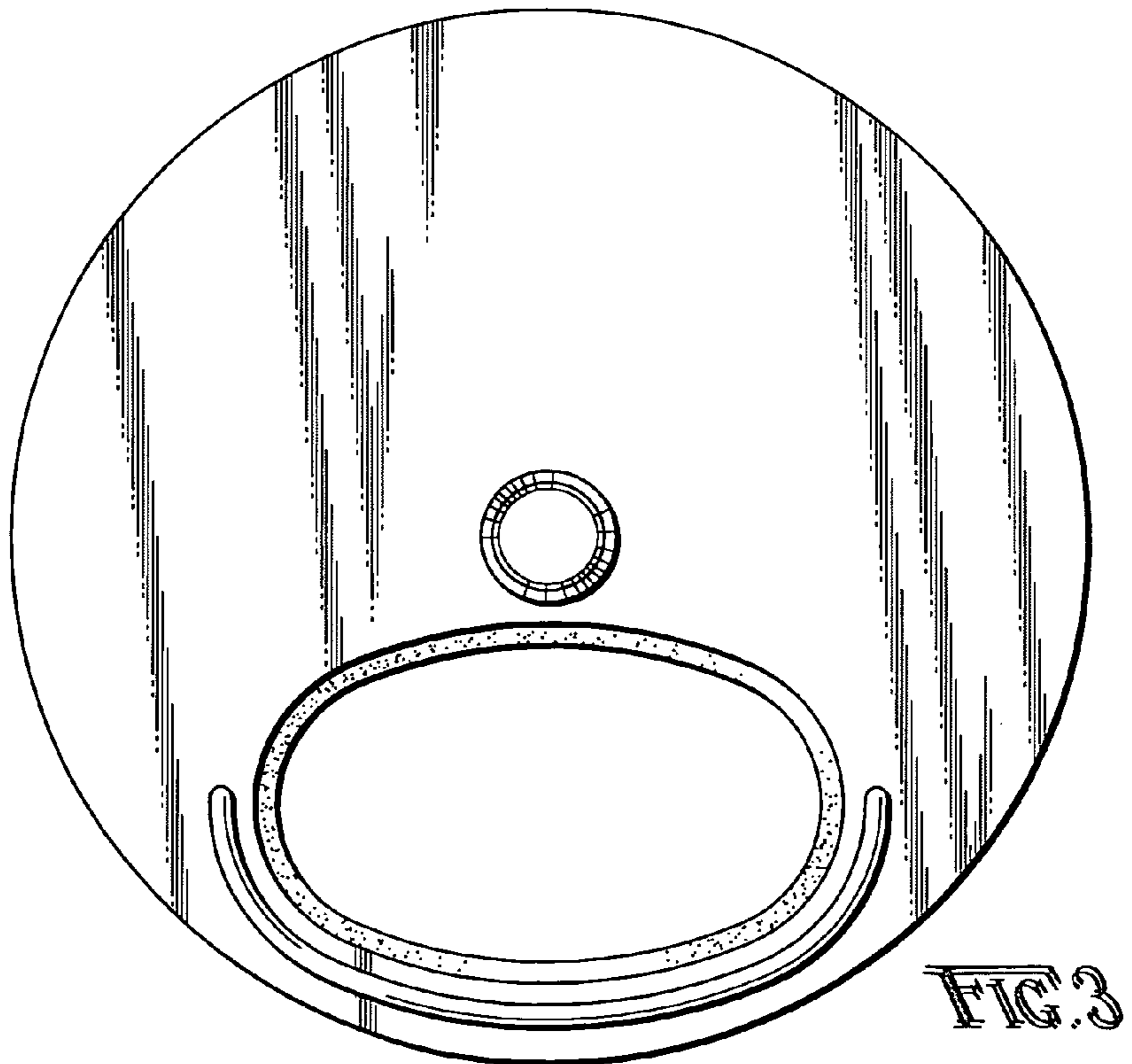
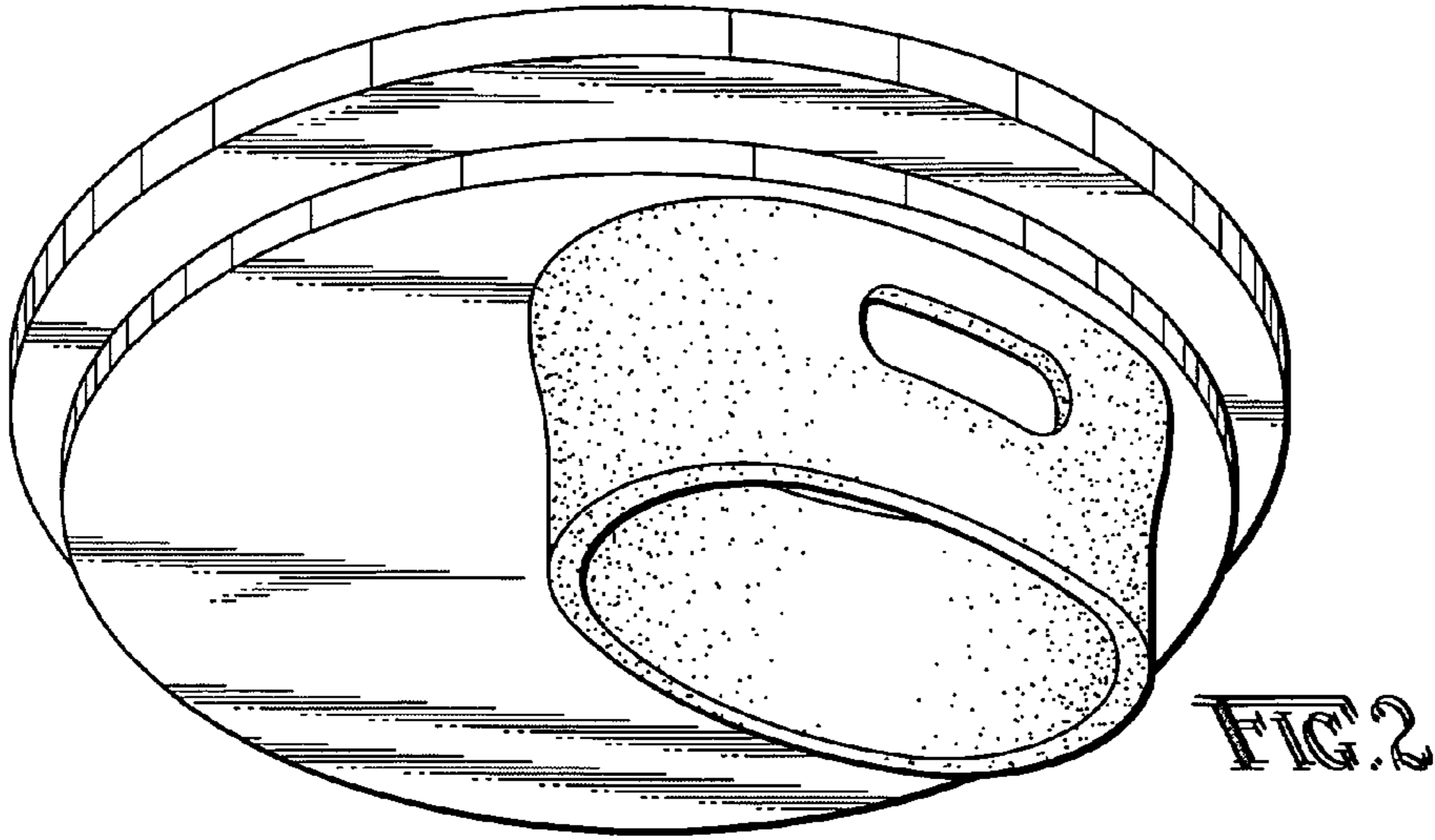
FIG. 7 is a bottom plan view of the can closer shown in FIG. 1.

The broken line elements in FIG. 1 are environmental, and form no part of the claim.

1 Claim, 4 Drawing Sheets







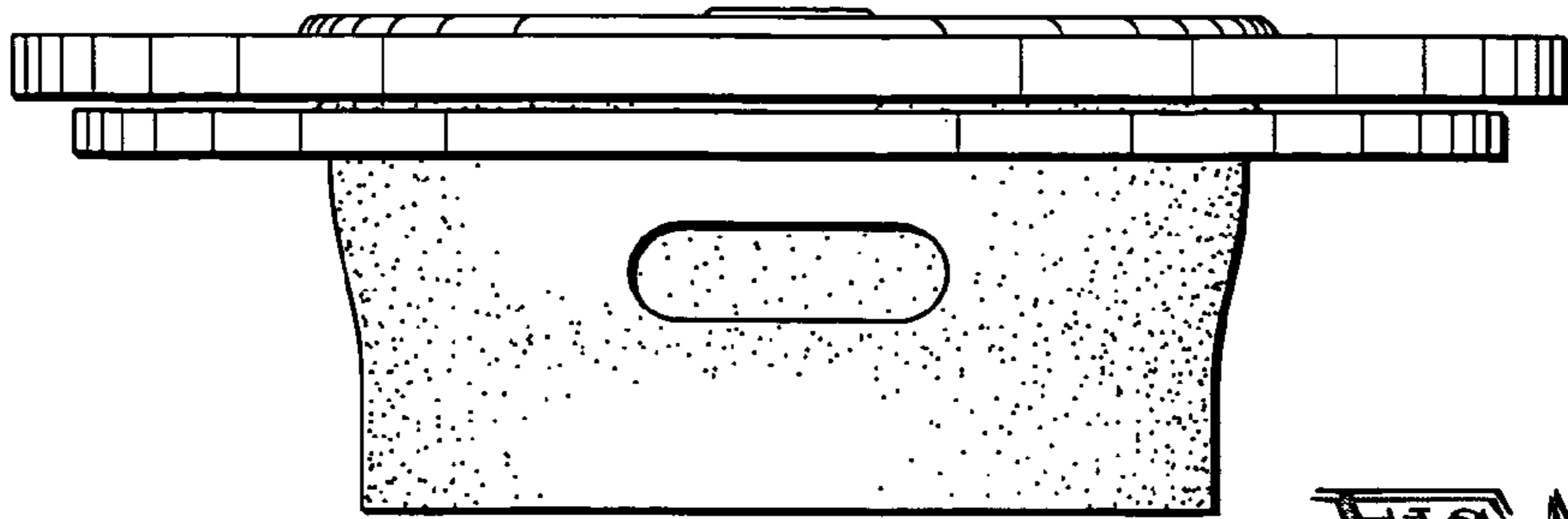


FIG. 4

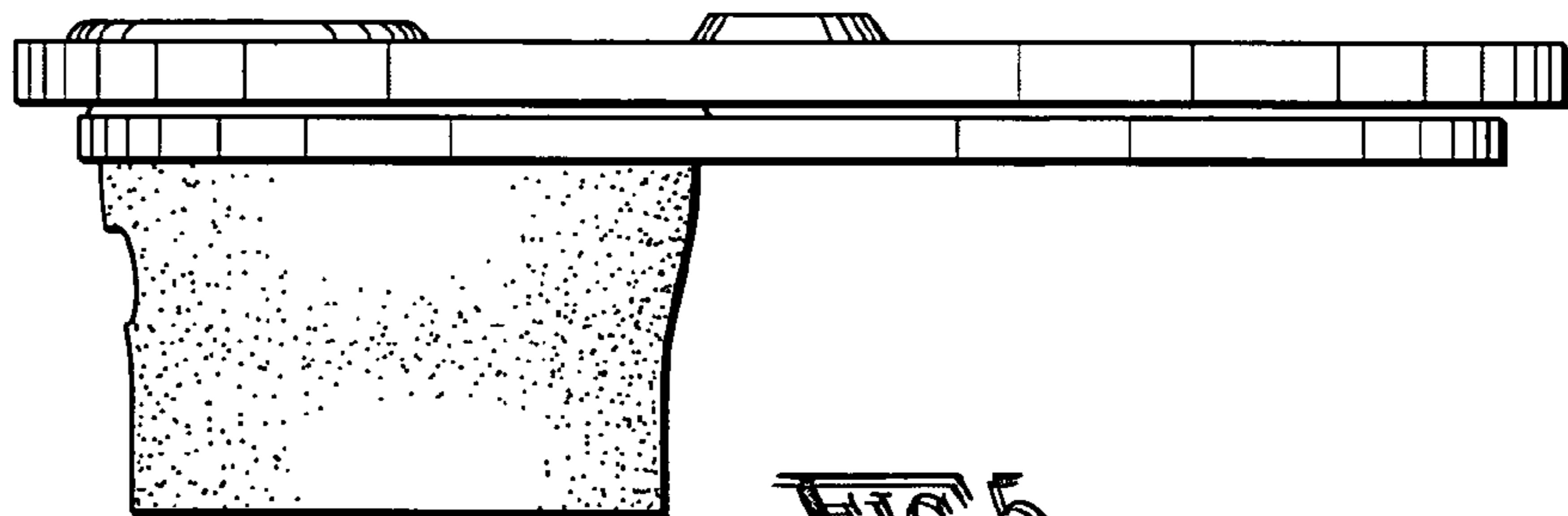


FIG. 5

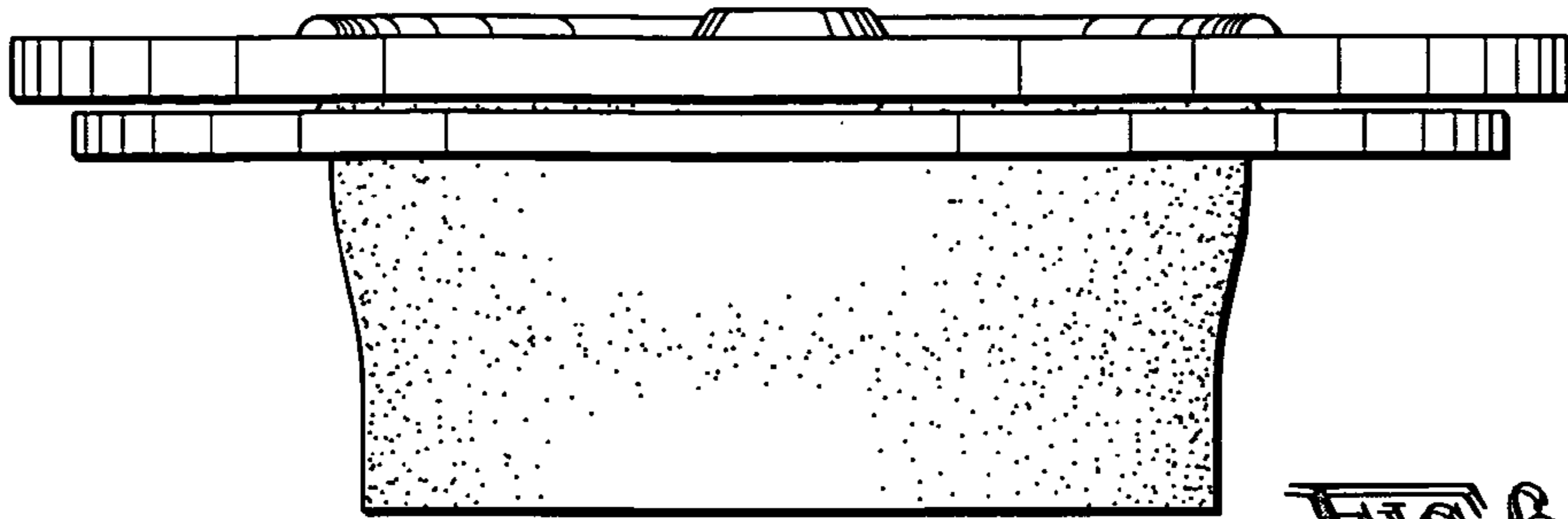


FIG. 6

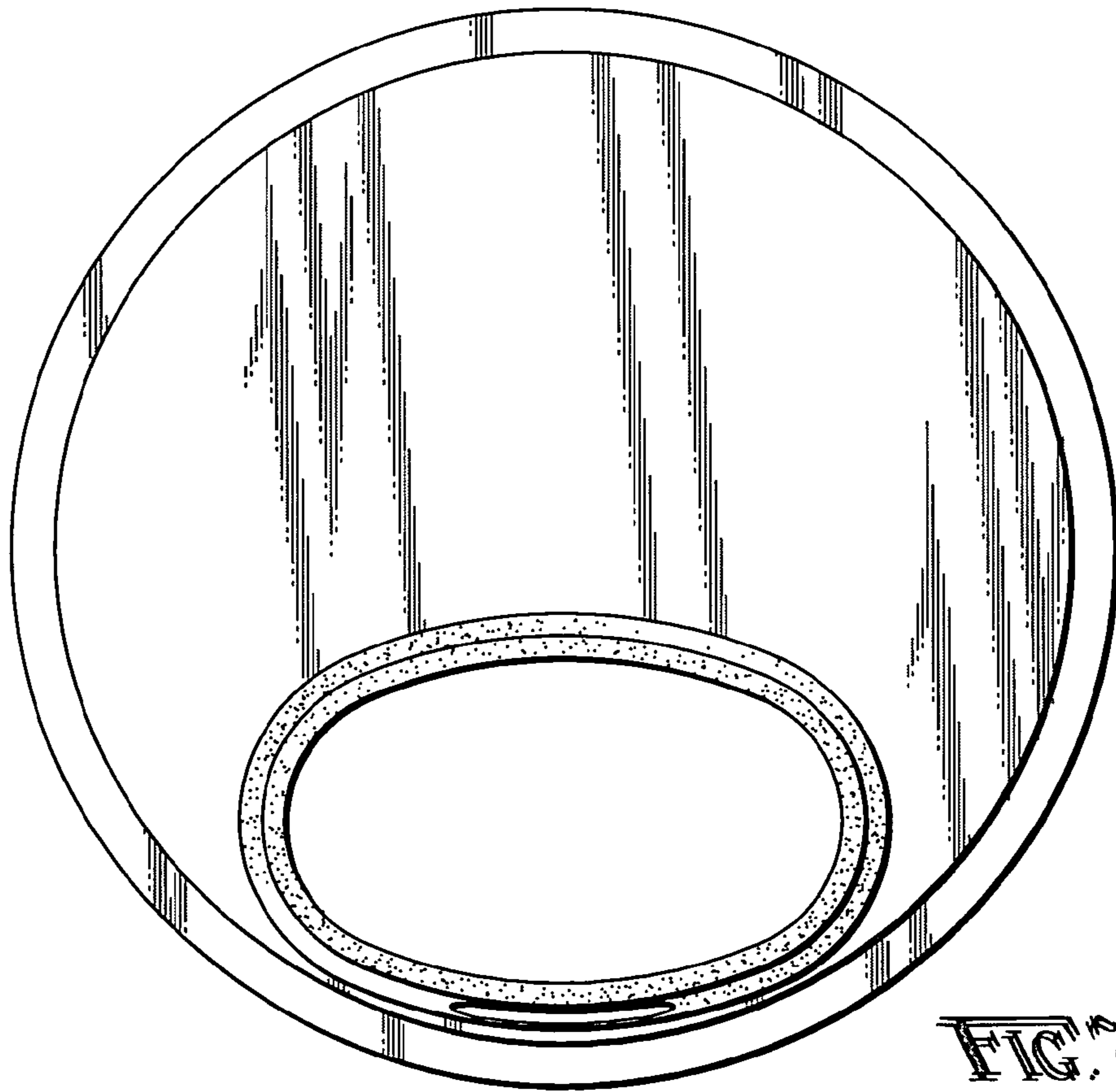


FIG. 7