



US00D642914S

(12) **United States Design Patent**
Dumas

(10) **Patent No.:** **US D642,914 S**

(45) **Date of Patent:** **** Aug. 9, 2011**

(54) **BOTTLE STOPPER**

(56) **References Cited**

(75) Inventor: **Janet Dumas**, Champniers (FR)

U.S. PATENT DOCUMENTS

(73) Assignee: **The Drambuie Liqueur Company Limited**, Broxburn (GB)

D45,182 S *	2/1914	Coleman	D7/396.5
D74,166 S *	1/1928	Brewster	D9/441
D104,584 S *	5/1937	Samstag	D9/439
D128,534 S *	7/1941	Sharp	D9/452

(**) Term: **14 Years**

* cited by examiner

(21) Appl. No.: **29/360,257**

Primary Examiner — Susan Bennett Hattan

(22) Filed: **Apr. 22, 2010**

(74) *Attorney, Agent, or Firm* — McNair Law Firm, P.A.;
Hunter S. Freeman

(51) **LOC (9) Cl.** **09-07**

(57) **CLAIM**

(52) **U.S. Cl.** **D9/439; D9/441**

The ornamental design for a bottle stopper, as shown and described.

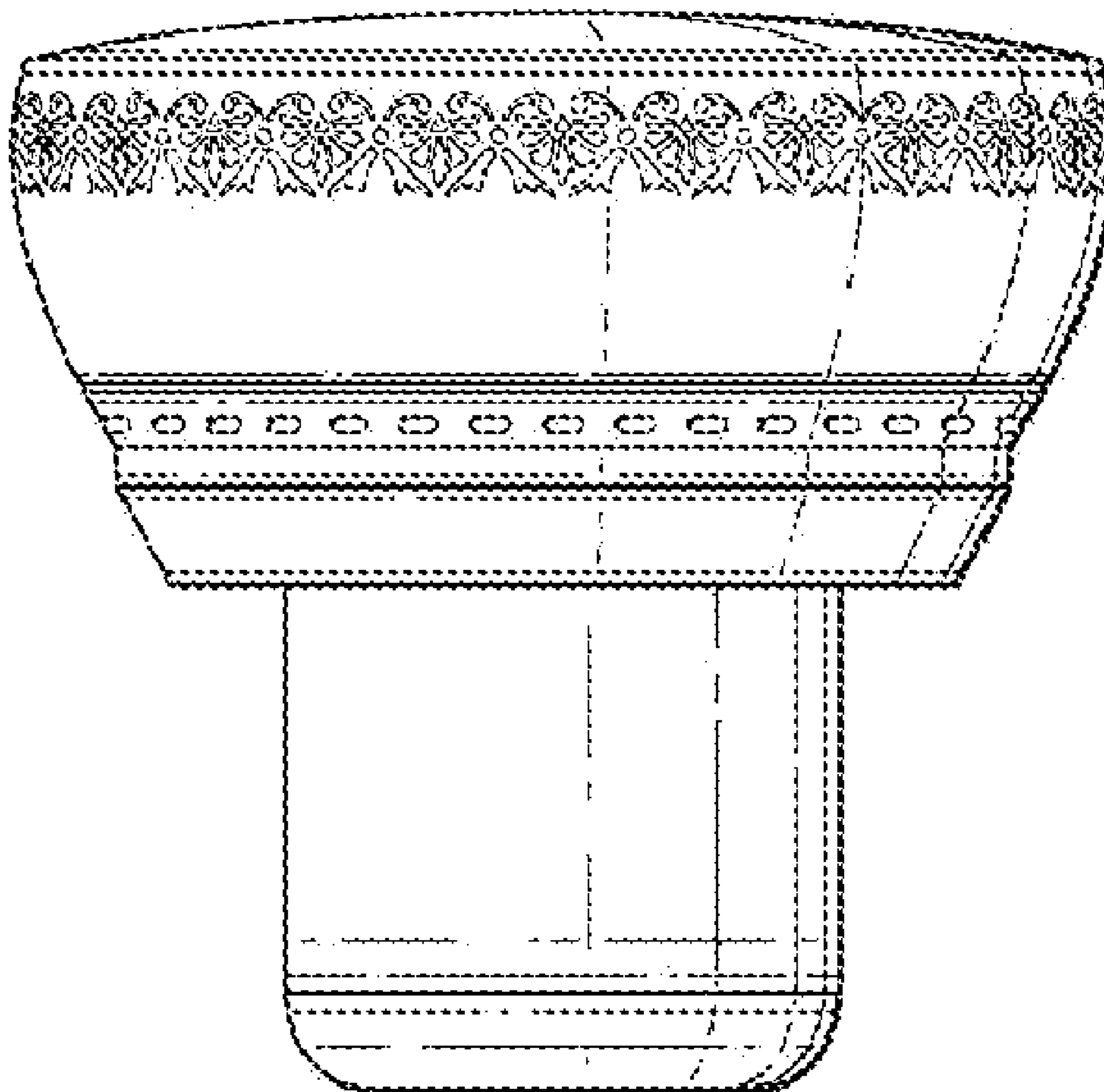
(58) **Field of Classification Search** D9/656,
D9/635, 565, 454, 452, 451, 447, 446, 441,
D9/440, 439, 435; D7/399, 396, 396.5, 395,
D7/393, 392.1, 387, 321, 300.2; D24/130,
D24/129; D21/713; 222/529, 478, 153.06;
220/825, 276, 254.8, 254.4; 215/364, 356,
215/355, 230

DESCRIPTION

FIG. 1 is a front view of the bottle stopper;
FIG. 2 is a rear view of the bottle stopper;
FIG. 3 is a top view of the bottle stopper;
FIG. 4 is a bottom view of the bottle stopper; and,
FIG. 5 is a side view of the bottle stopper.

See application file for complete search history.

1 Claim, 5 Drawing Sheets



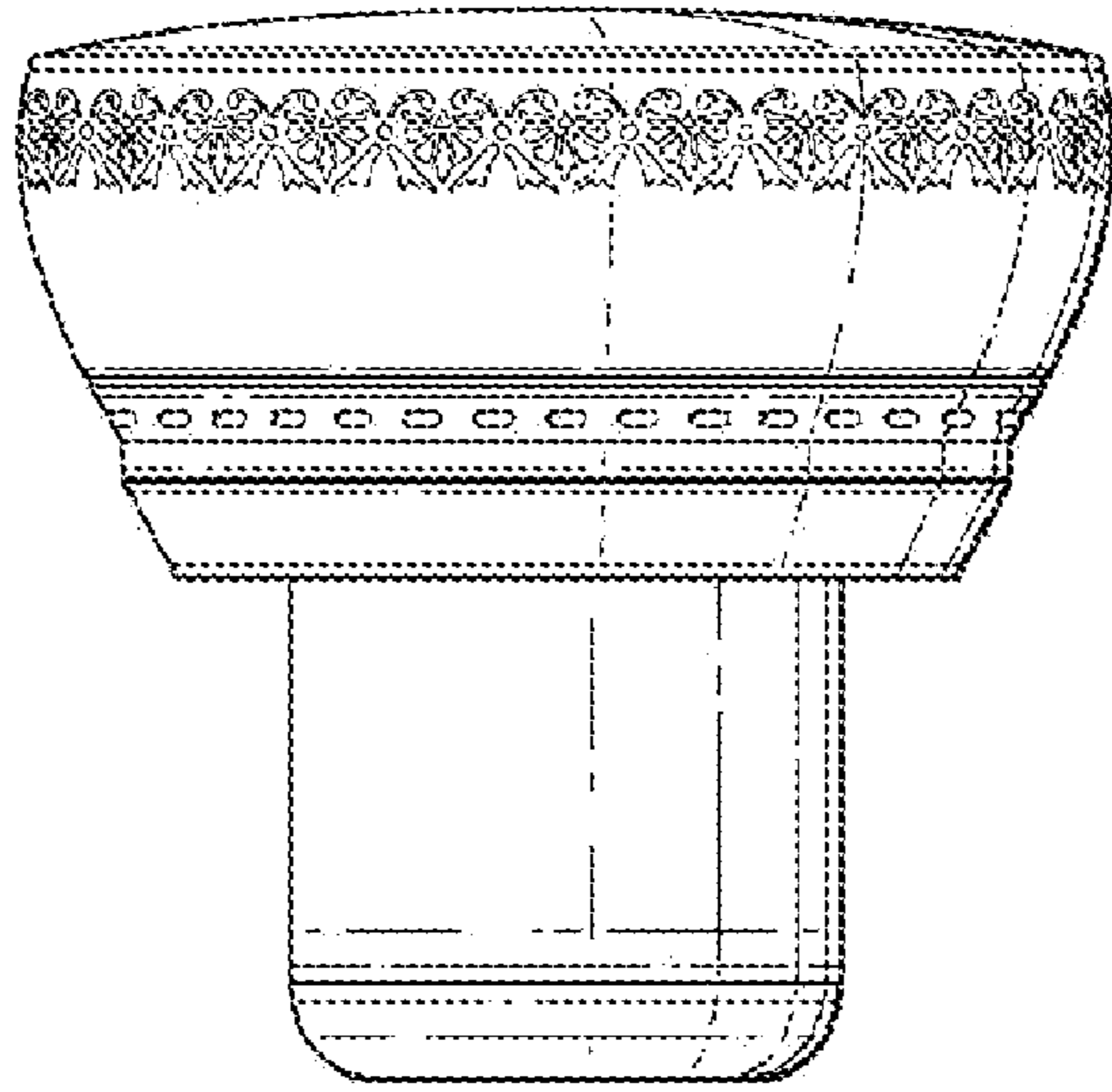


FIGURE 1

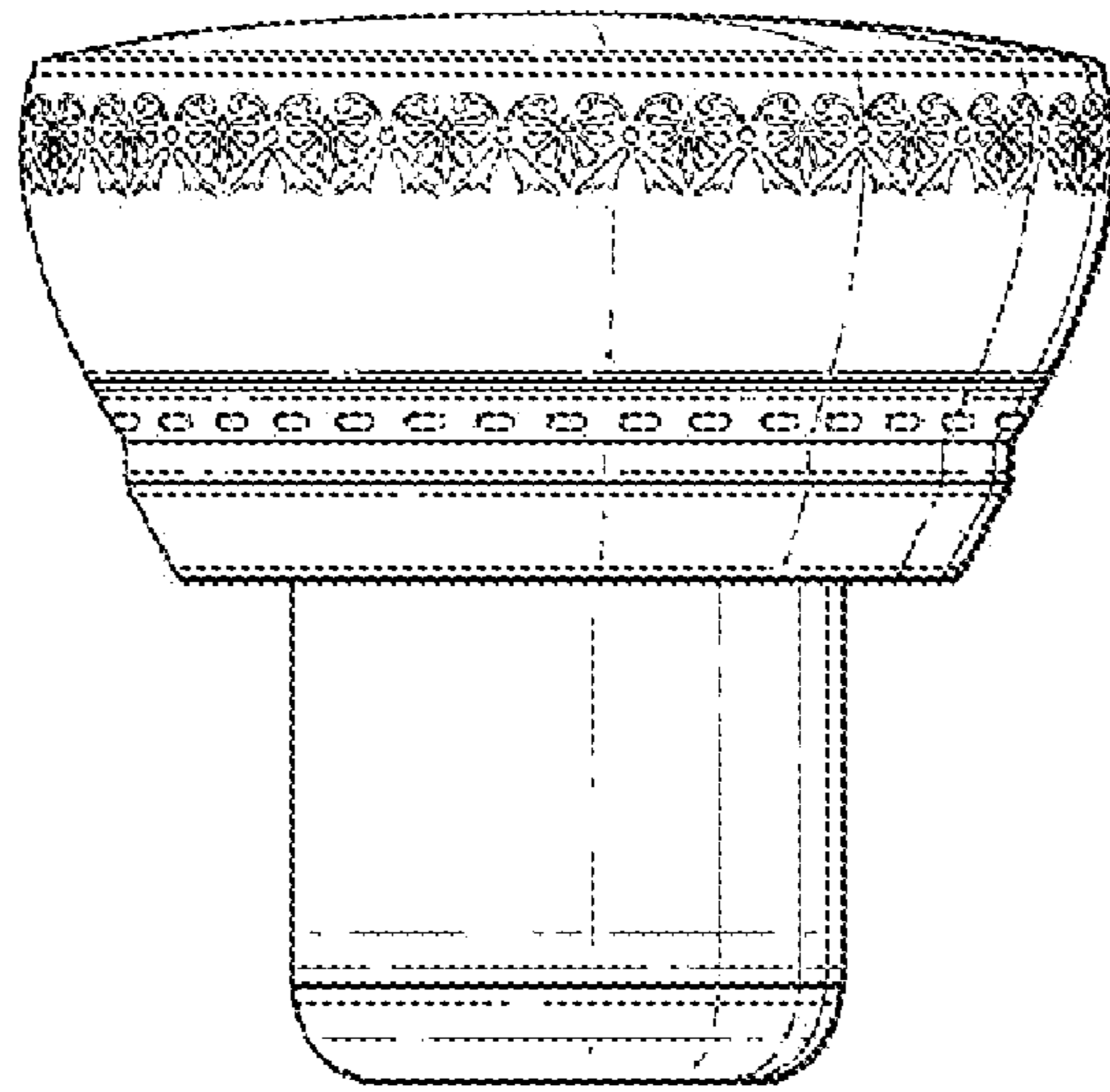


FIGURE 2

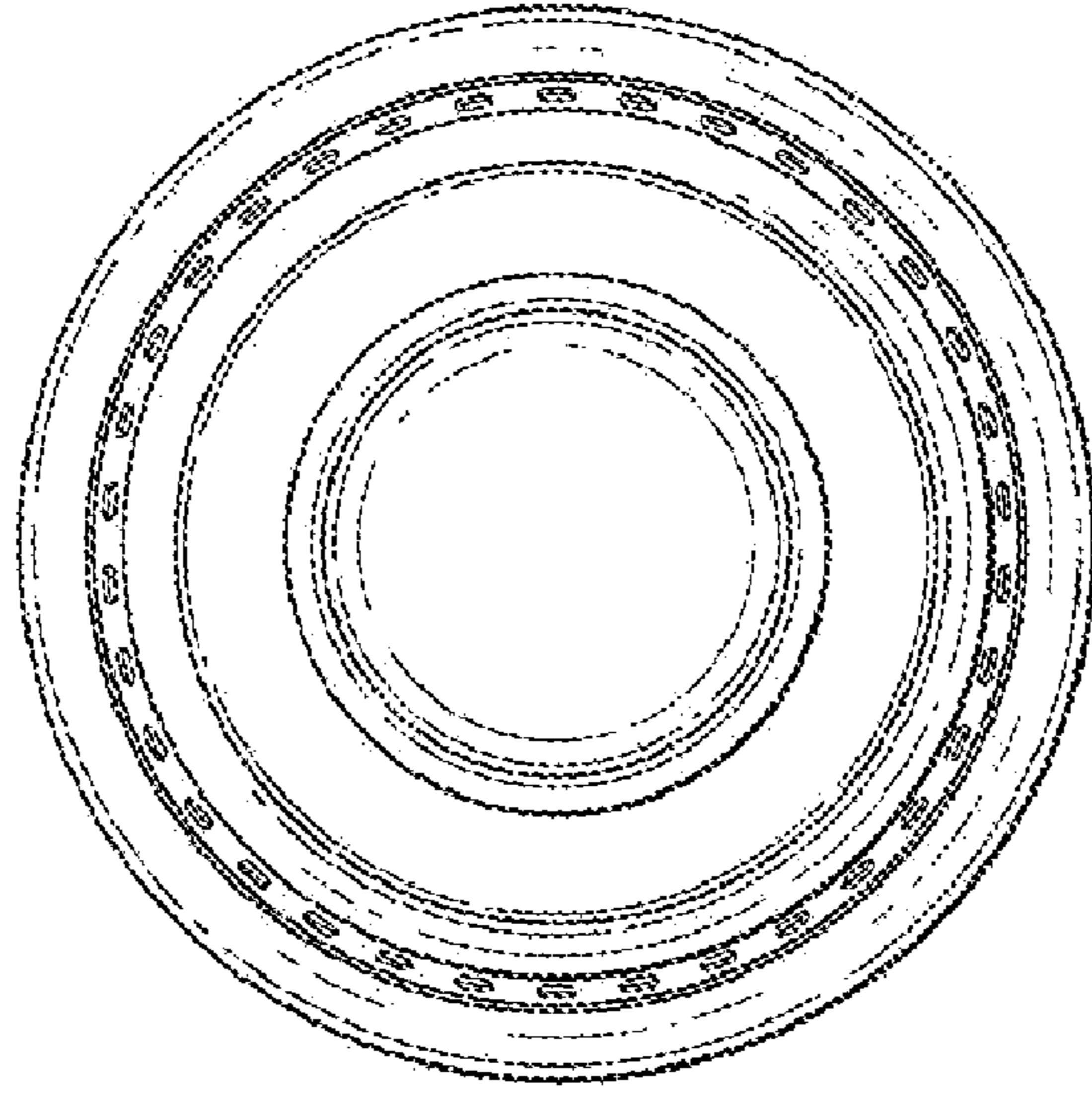


FIGURE 3

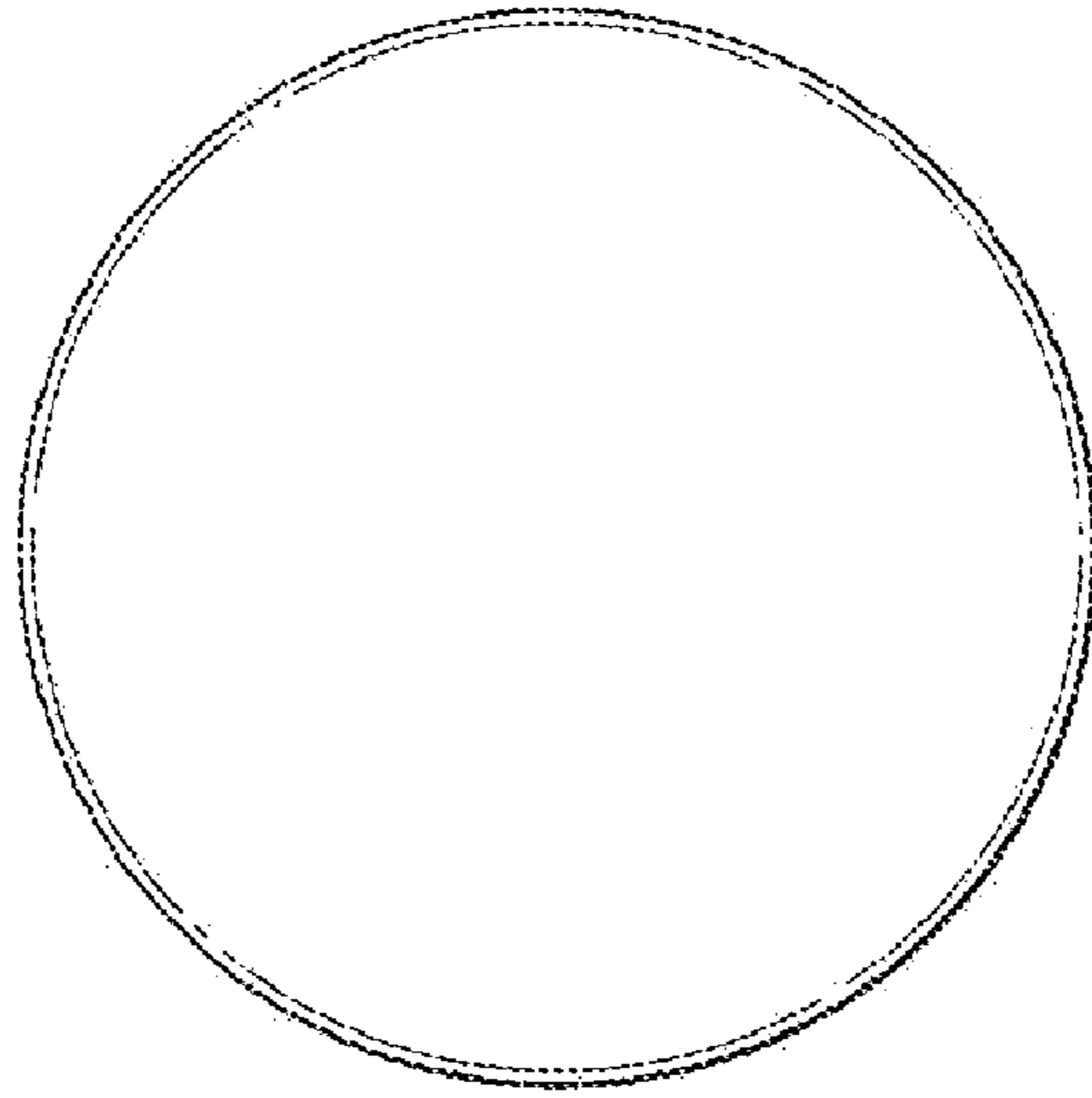


FIGURE 4

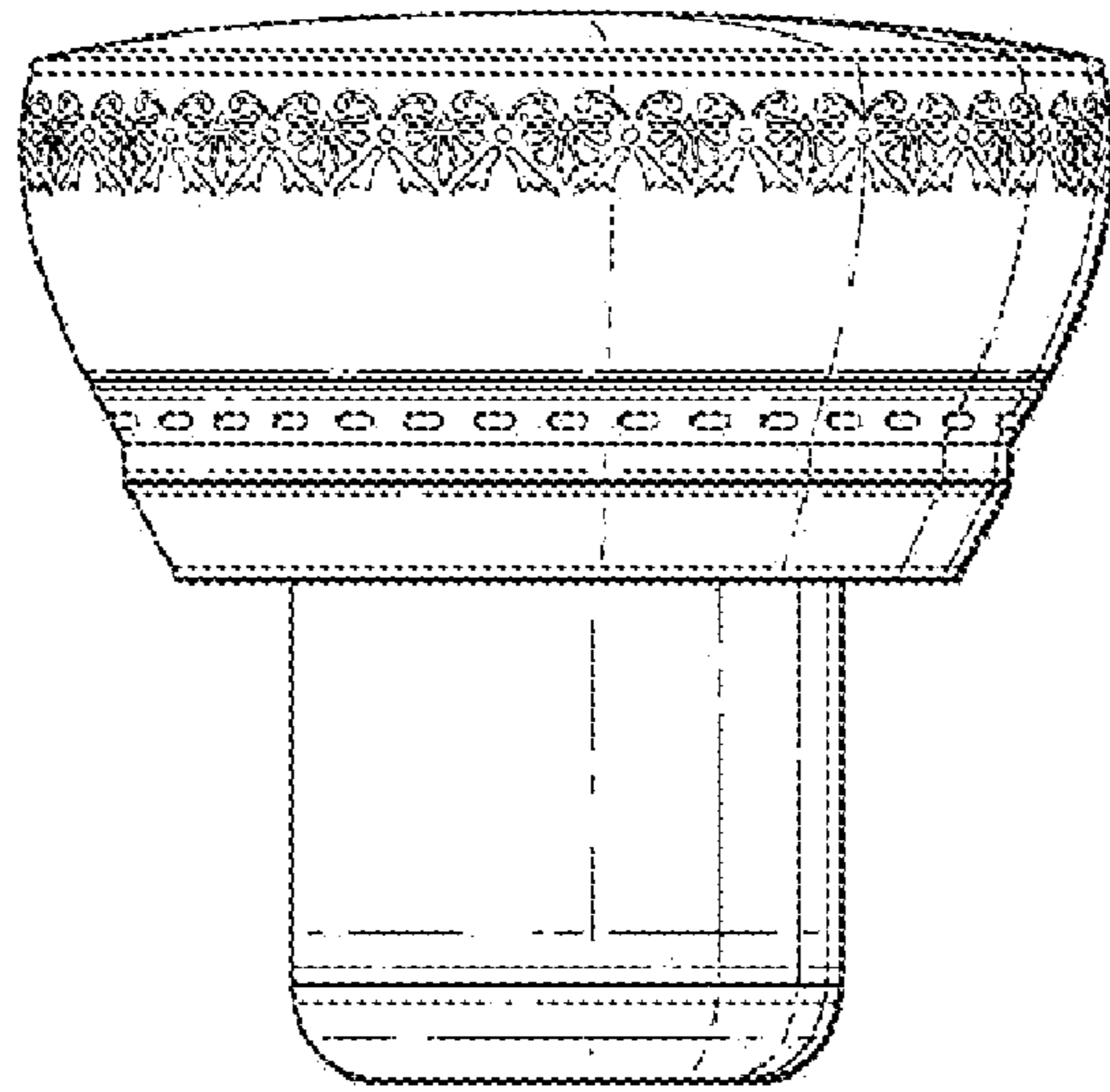


FIGURE 5