



US00D642904S

(12) **United States Design Patent**  
**Turvey**

(10) **Patent No.:** **US D642,904 S**

(45) **Date of Patent:** **\*\* Aug. 9, 2011**

(54) **CONTAINER WITH ELONGATED LIP**

(75) Inventor: **Robert R. Turvey**, Sanford, MI (US)

(73) Assignee: **S.C. Johnson & Son, Inc.**, Racine, WI (US)

(\*\*) Term: **14 Years**

(21) Appl. No.: **29/347,933**

(22) Filed: **Aug. 9, 2010**

(51) **LOC (9) Cl.** ..... **09-03**

(52) **U.S. Cl.** ..... **D9/424**

(58) **Field of Classification Search** ..... D9/424,  
D9/414, 419, 425, 426, 429, 430, 432, 761;  
D7/354, 392.1, 394, 396.1, 538, 543-545,  
D7/550.1, 554.1, 575, 584, 586, 560, 601,  
D7/602, 605, 629; 206/1.5, 505, 508, 521,  
206/822; 220/380, 643, 645, 671, 675, 780,  
220/781, 782, 783, 789, 832; 229/406, 407,  
229/902

See application file for complete search history.

(56) **References Cited**

U.S. PATENT DOCUMENTS

2,336,699	A	12/1943	Neth et al.	
D175,202	S	7/1955	Tupper	
D216,038	S *	11/1969	Douglas	D7/502
D223,146	S *	3/1972	Maasshoff	D9/424
3,997,677	A	12/1976	Hirsch et al.	
4,351,447	A	9/1982	Graff	
D270,418	S	9/1983	Conti	
4,413,167	A	11/1983	Martel et al.	
D272,971	S	3/1984	Tallon	
4,555,056	A	11/1985	Bernhardt	
D301,819	S	6/1989	Watson et al.	
D305,086	S	12/1989	Stewart	
4,892,213	A	1/1990	Mason, Jr.	
4,924,048	A	5/1990	Bunce et al.	
D315,099	S *	3/1991	Alizard	D9/424
D316,516	S *	4/1991	Poirier	D9/424
5,011,042	A	4/1991	Bunce et al.	

5,012,061	A	4/1991	Lesser	
5,126,518	A	6/1992	Beckett	
5,310,980	A	5/1994	Beckett	
D348,377	S *	7/1994	Douglas	D7/538
5,348,181	A	9/1994	Smith et al.	
5,366,104	A *	11/1994	Armstrong	220/832
5,377,860	A	1/1995	Littlejohn et al.	
D370,598	S *	6/1996	Koch	D7/543
5,593,610	A	1/1997	Minerich et al.	
D388,325	S	12/1997	Tucker et al.	
D390,109	S	2/1998	Tucker et al.	
5,744,181	A	4/1998	Sornay et al.	
5,986,248	A	11/1999	Matsuno et al.	
6,070,755	A	6/2000	Evans et al.	
6,170,696	B1	1/2001	Tucker et al.	
D440,874	S *	4/2001	Shurtleff et al.	D9/425
D441,597	S *	5/2001	Wyche	D7/360
D443,798	S	6/2001	Tucker et al.	
6,467,647	B1	10/2002	Tucker et al.	
D477,187	S *	7/2003	McCallister et al.	D7/545
6,672,473	B2	1/2004	Torniainen et al.	
D497,774	S *	11/2004	Smith et al.	D7/543
6,910,599	B2	6/2005	Tucker et al.	
D513,376	S	1/2006	Shannon	

(Continued)

*Primary Examiner* — Prabhakar Deshmukh

*Assistant Examiner* — Derrick Holland

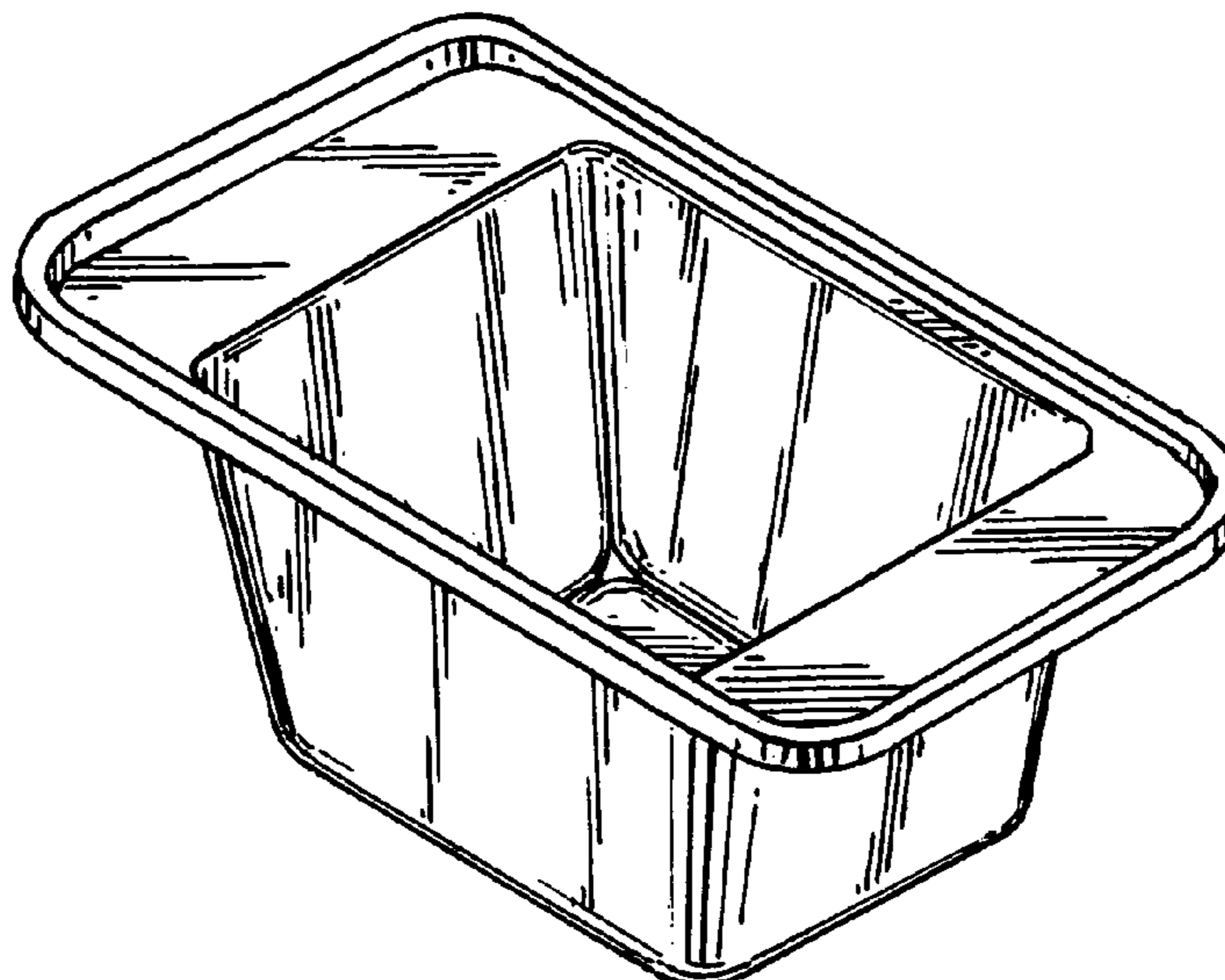
(57) **CLAIM**

The ornamental design for container with elongated lip, as shown and described.

**DESCRIPTION**

FIG. 1 is a front perspective view of a container with elongated lip showing my new design;  
FIG. 2 is a top plan view thereof;  
FIG. 3 is a first side view thereof, the opposite side being a mirror image;  
FIG. 4 is a first end view thereof, the opposite end being a mirror image; and,  
FIG. 5 is a bottom plan view thereof.

**1 Claim, 1 Drawing Sheet**



# US D642,904 S

Page 2

---

U.S. PATENT DOCUMENTS							
				D598,282 S *	8/2009	Abrahamsson .....	D9/424
7,017,776 B1	3/2006	Hupp		7,614,522 B2	11/2009	Hsu	
D536,608 S *	2/2007	Arkins .....	D9/414	2002/0040906 A1	4/2002	Hakim	
D541,598 S	5/2007	Kim		2006/0201952 A1	9/2006	Hakim	
7,261,219 B2	8/2007	Tucker et al.		2006/0255052 A1	11/2006	Svitak	
7,357,272 B2	4/2008	Maxwell					
D589,759 S	4/2009	Ozery et al.					

\* cited by examiner

FIG. 1

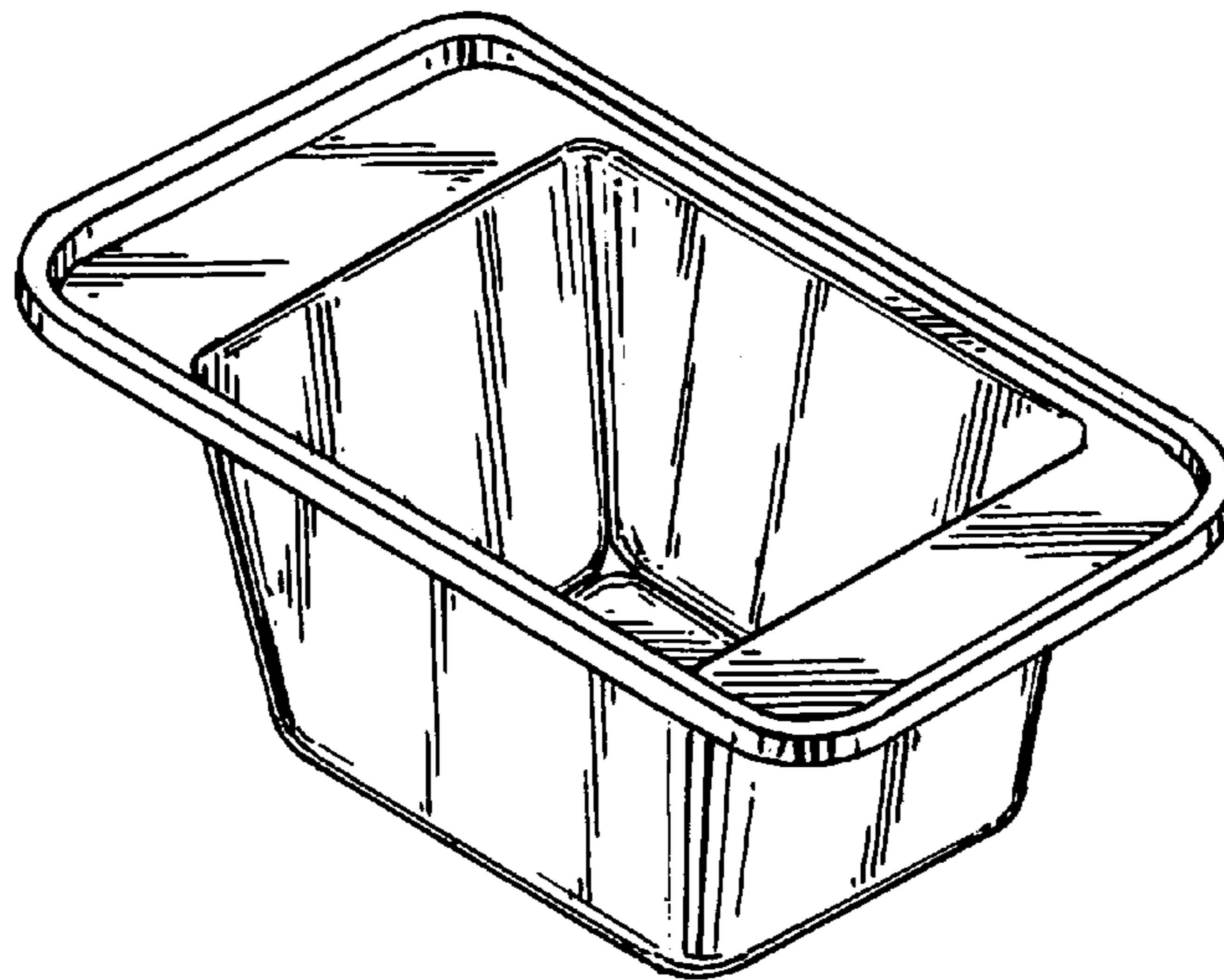


FIG. 3

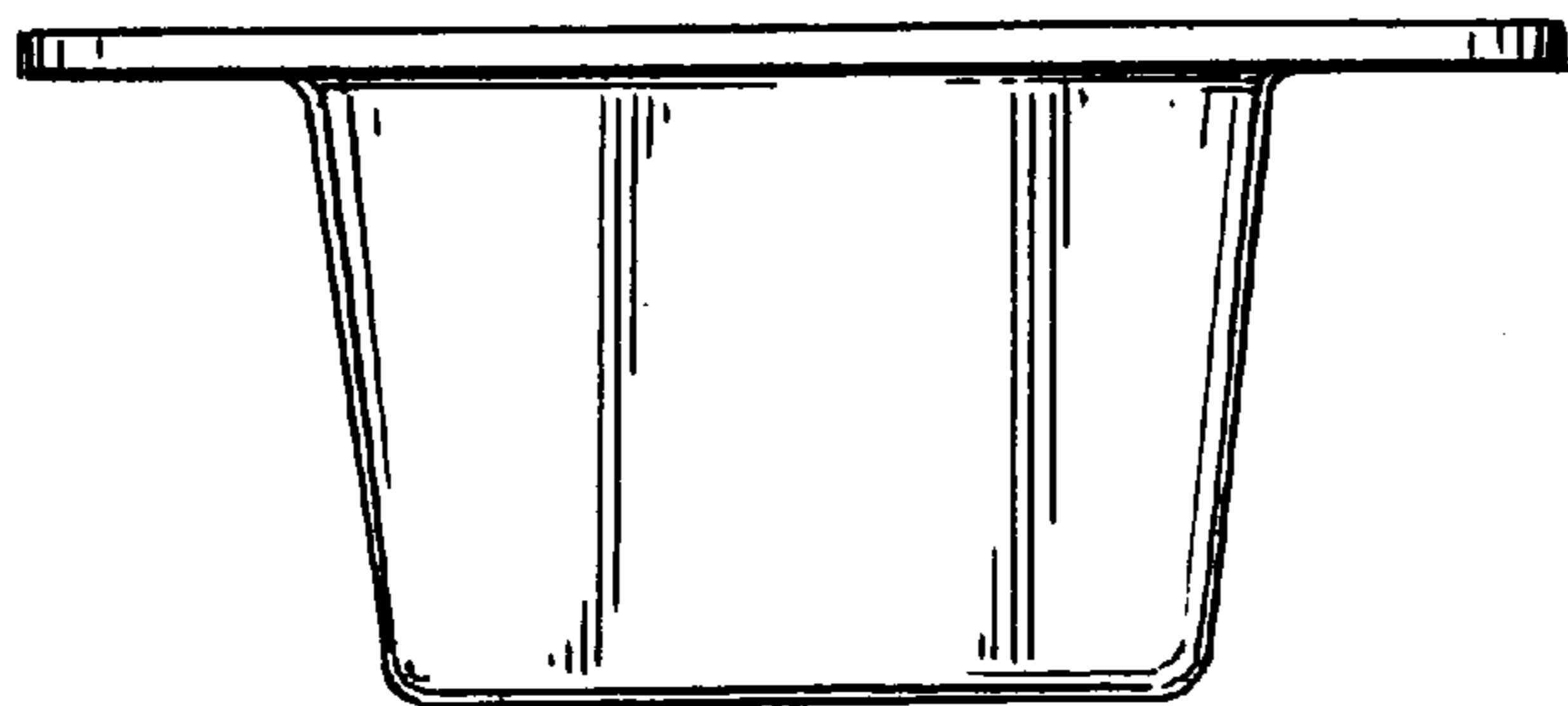


FIG. 4

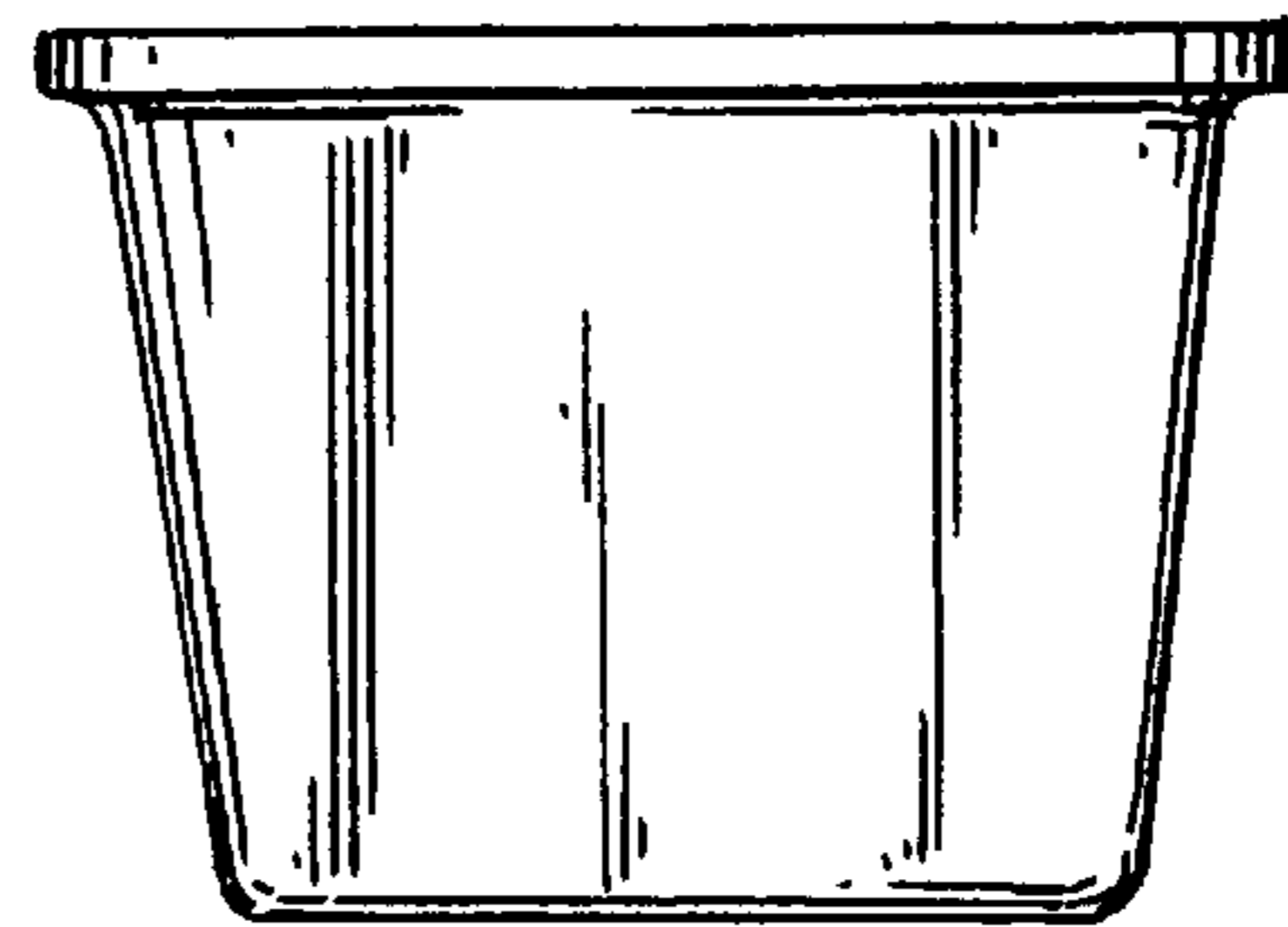


FIG. 5

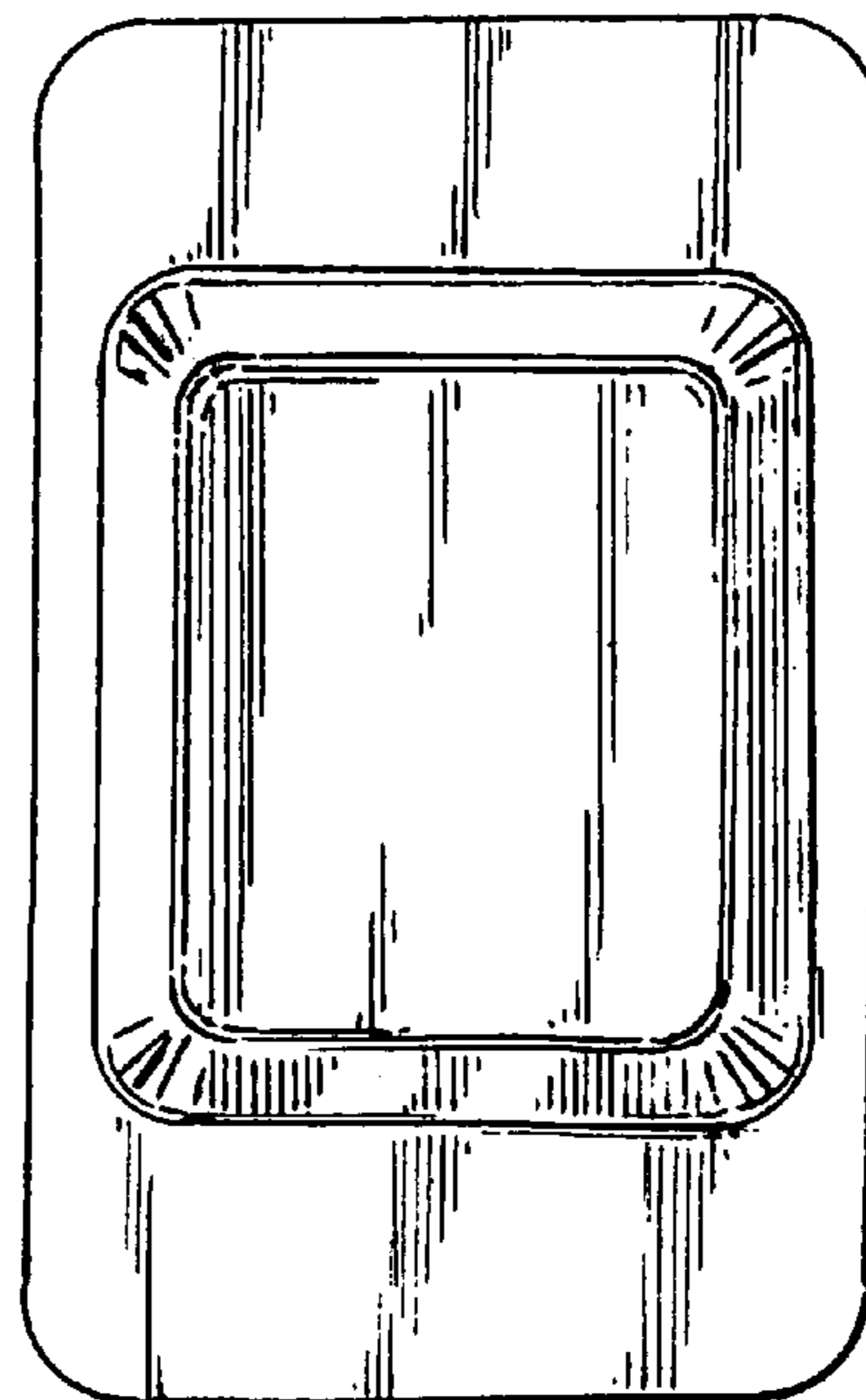


FIG. 2

