



US00D642903S

(12) **United States Design Patent**
Pourian

(10) **Patent No.:** **US D642,903 S**

(45) **Date of Patent:** **** Aug. 9, 2011**

(54) **DISPENSER**

(75) Inventor: **Neema Pourian**, Skokie, IL (US)

(73) Assignee: **Wm. Wrigley Jr. Company**, Chicago, IL (US)

(**) Term: **14 Years**

(21) Appl. No.: **29/364,573**

(22) Filed: **Jun. 25, 2010**

(51) **LOC (9) Cl.** **09-03**

(52) **U.S. Cl.** **D9/422**

(58) **Field of Classification Search** 132/293,
132/294, 315, 39, 235, 527, 581, 815, 823;
D18/15, 17; D3/20, 203.2, 203.6; D28/76-79,
D28/83; D9/417, 419-425, 432, 716, 721,
D9/730

See application file for complete search history.

(56) **References Cited**

U.S. PATENT DOCUMENTS

3,107,782	A	10/1963	Jaroff et al.	
3,325,050	A	6/1967	Wanamaker	
4,004,683	A	1/1977	Pomeroy et al.	
4,566,606	A	1/1986	Kling	
4,659,028	A	4/1987	Wren	
5,005,698	A	4/1991	Mikhail	
5,067,629	A	11/1991	Schwartz	
5,119,969	A	6/1992	Haber	
5,133,980	A	7/1992	Ream et al.	
5,228,632	A	7/1993	Addison et al.	
D357,938	S	5/1995	Wolff	
D407,972	S *	4/1999	Hilton	D9/422
D478,280	S *	8/2003	Miller et al.	D9/420
D479,462	S *	9/2003	Chan	D9/422
D489,003	S *	4/2004	Loth et al.	D9/422
D491,805	S *	6/2004	Loth et al.	D9/422
D501,401	S *	2/2005	Shurman	D9/422
D502,740	S	3/2005	Stoddard et al.	
D506,133	S	6/2005	Goodfellow et al.	

D535,184	S *	1/2007	Tanner	D9/422
D535,185	S *	1/2007	Tanner	D9/422
D535,874	S *	1/2007	Tanner	D9/422
D545,187	S *	6/2007	Kutsch et al.	D9/422
D548,794	S	8/2007	Jour	
7,481,393	B2	1/2009	Trinko et al.	
D592,949	S *	5/2009	Staunton	D9/422
D625,178	S *	10/2010	Bailey et al.	D9/422

FOREIGN PATENT DOCUMENTS

WO 2008/107341 9/2008

OTHER PUBLICATIONS

Packaging for Wrigley's Doublemint Card-X; Wm. Wrigley Jr. Company; photograph taken Apr. 28, 2009.

* cited by examiner

Primary Examiner — Thomas Johannes

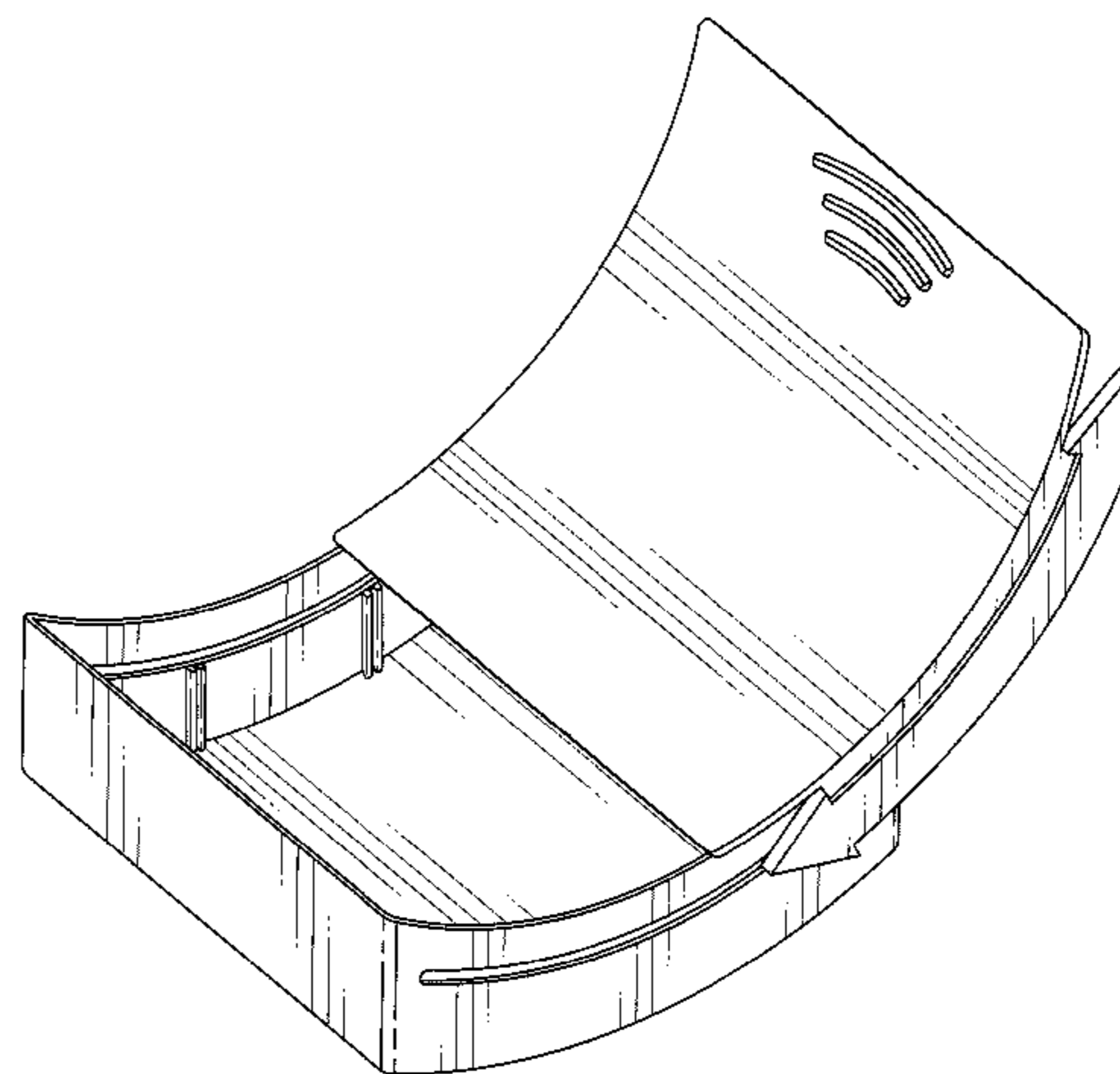
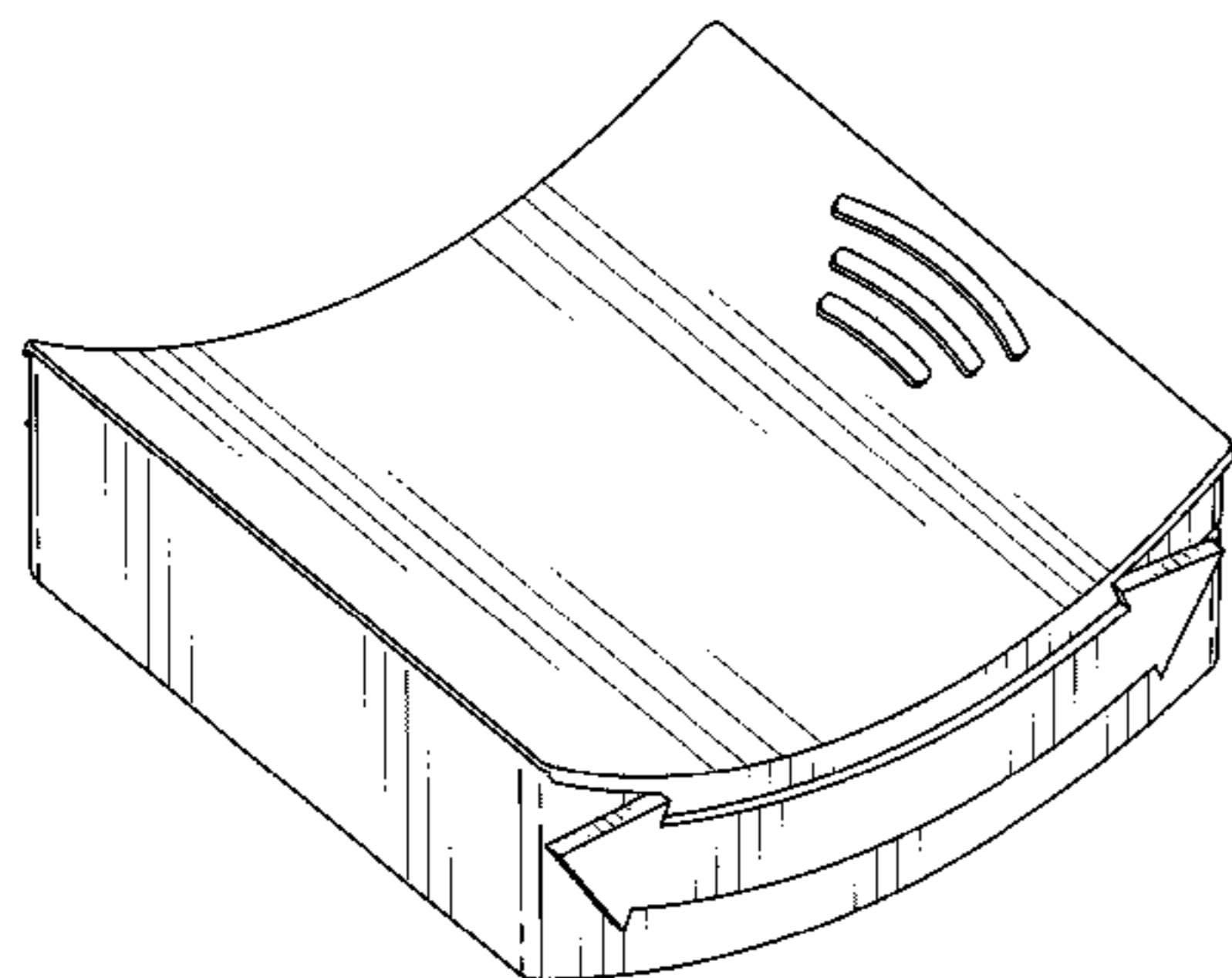
(57) **CLAIM**

The ornamental design for a dispenser, as shown and described.

DESCRIPTION

FIG. 1 is a front and right side perspective view showing my new design;
FIG. 2 is a front elevation view thereof;
FIG. 3 is a back elevation view thereof;
FIG. 4 is a left side elevation view thereof; the right side elevation view being a mirror image thereto;
FIG. 5 is a top elevation view thereof;
FIG. 6 is a front and right side perspective view showing my design in an alternate position;
FIG. 7 is a back elevation view of FIG. 6;
FIG. 8 is a front elevation view of FIG. 6;
FIG. 9 is a left side elevation view of FIG. 6; the right side elevation view being a mirror image thereto; and,
FIG. 10 is a top elevation view of FIG. 6.

1 Claim, 4 Drawing Sheets



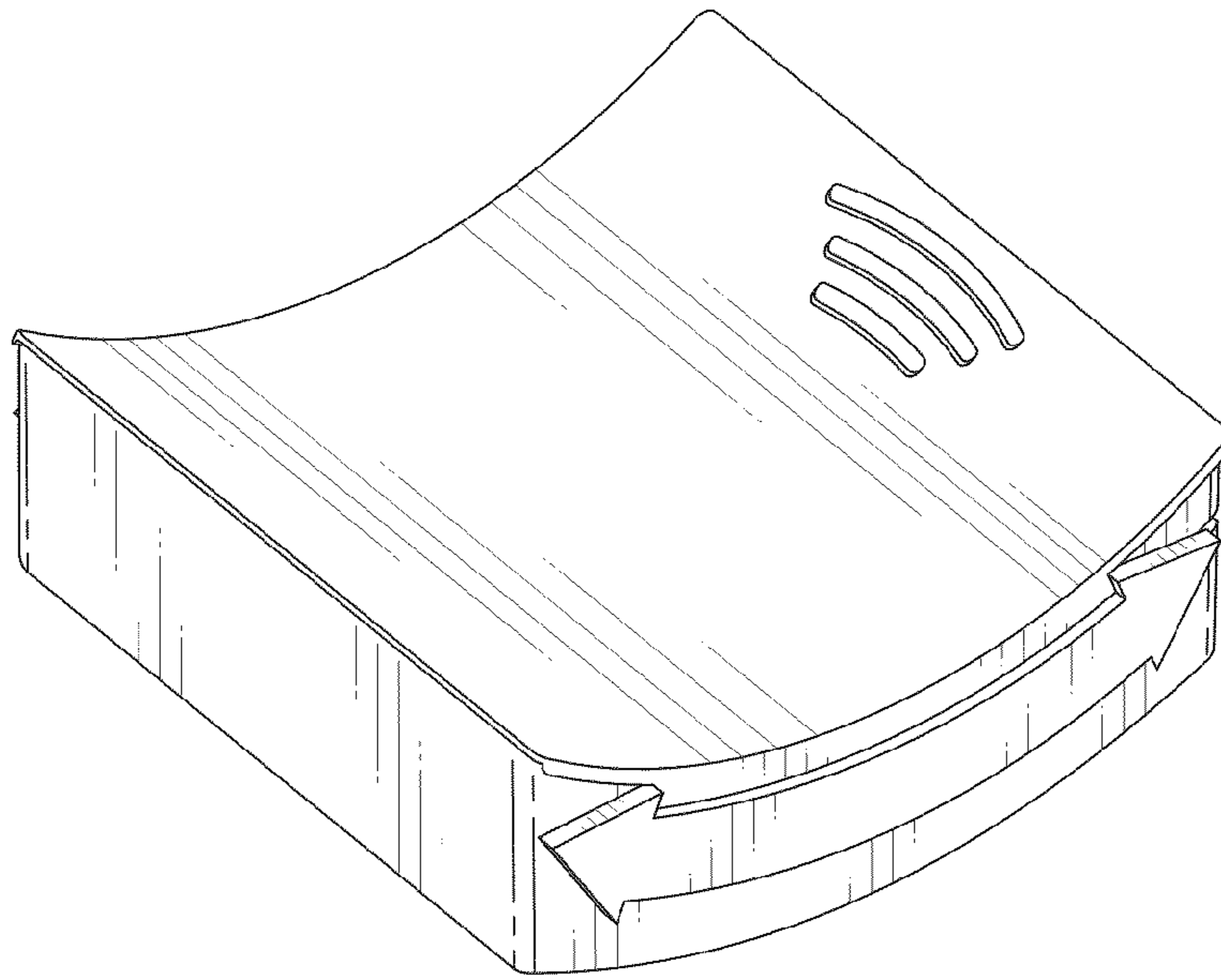


FIG. 1

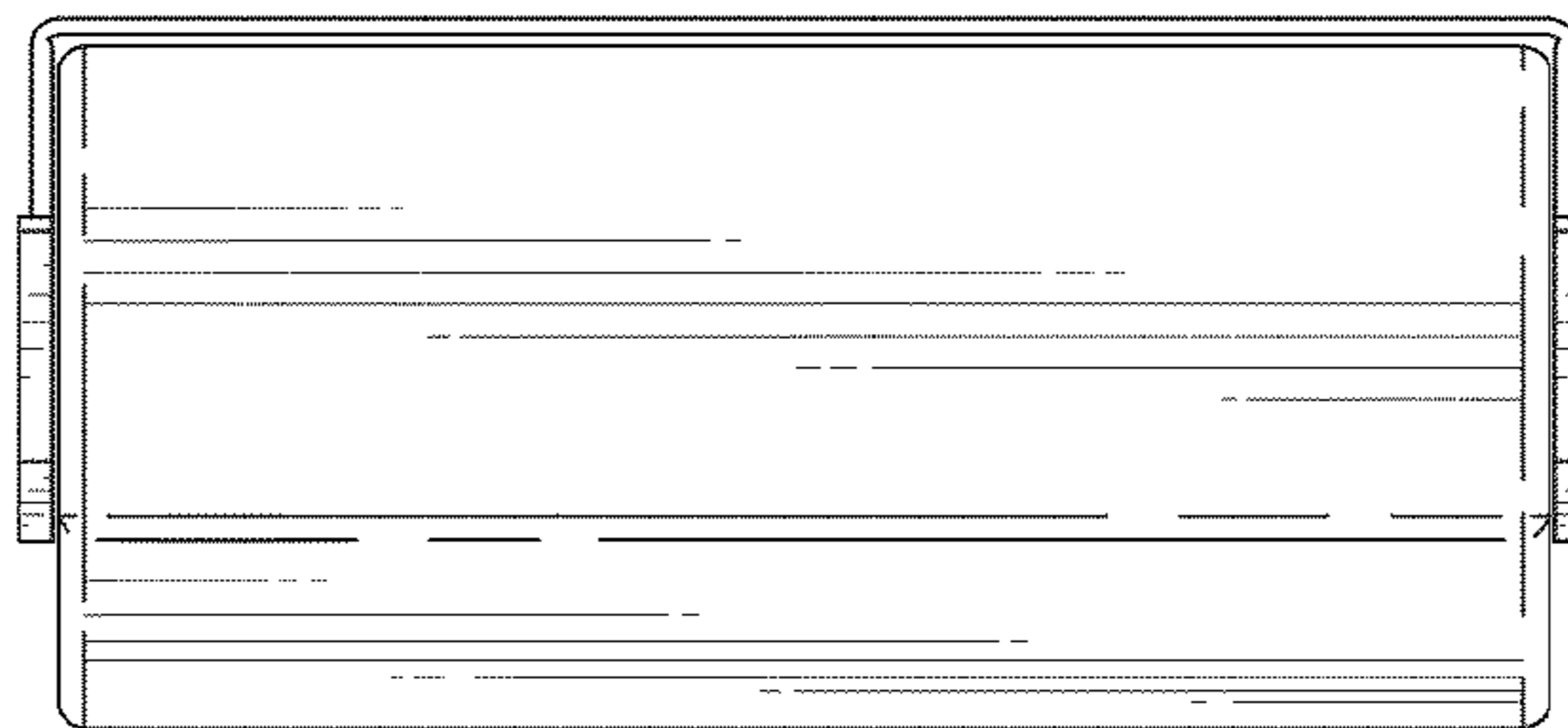


FIG. 2

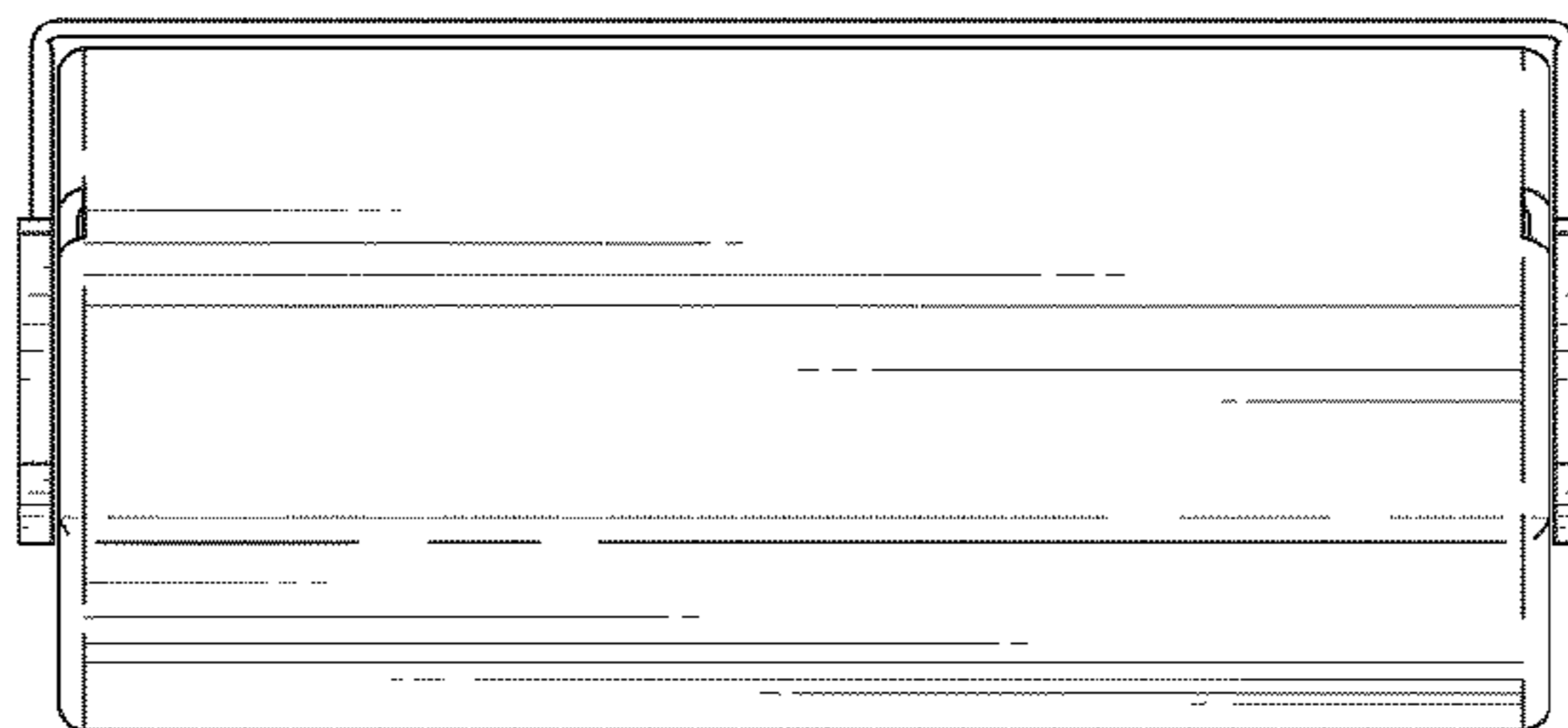


FIG. 3

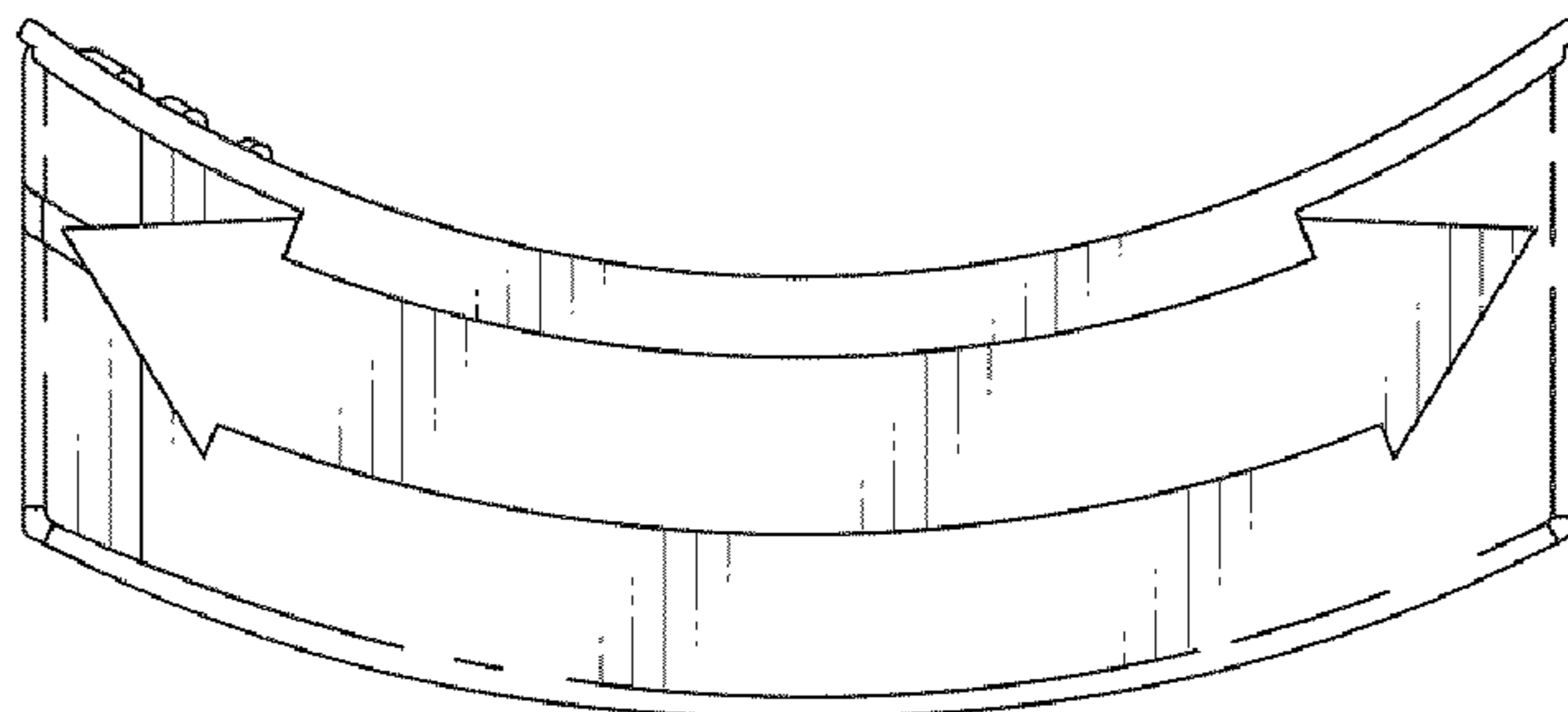


FIG. 4

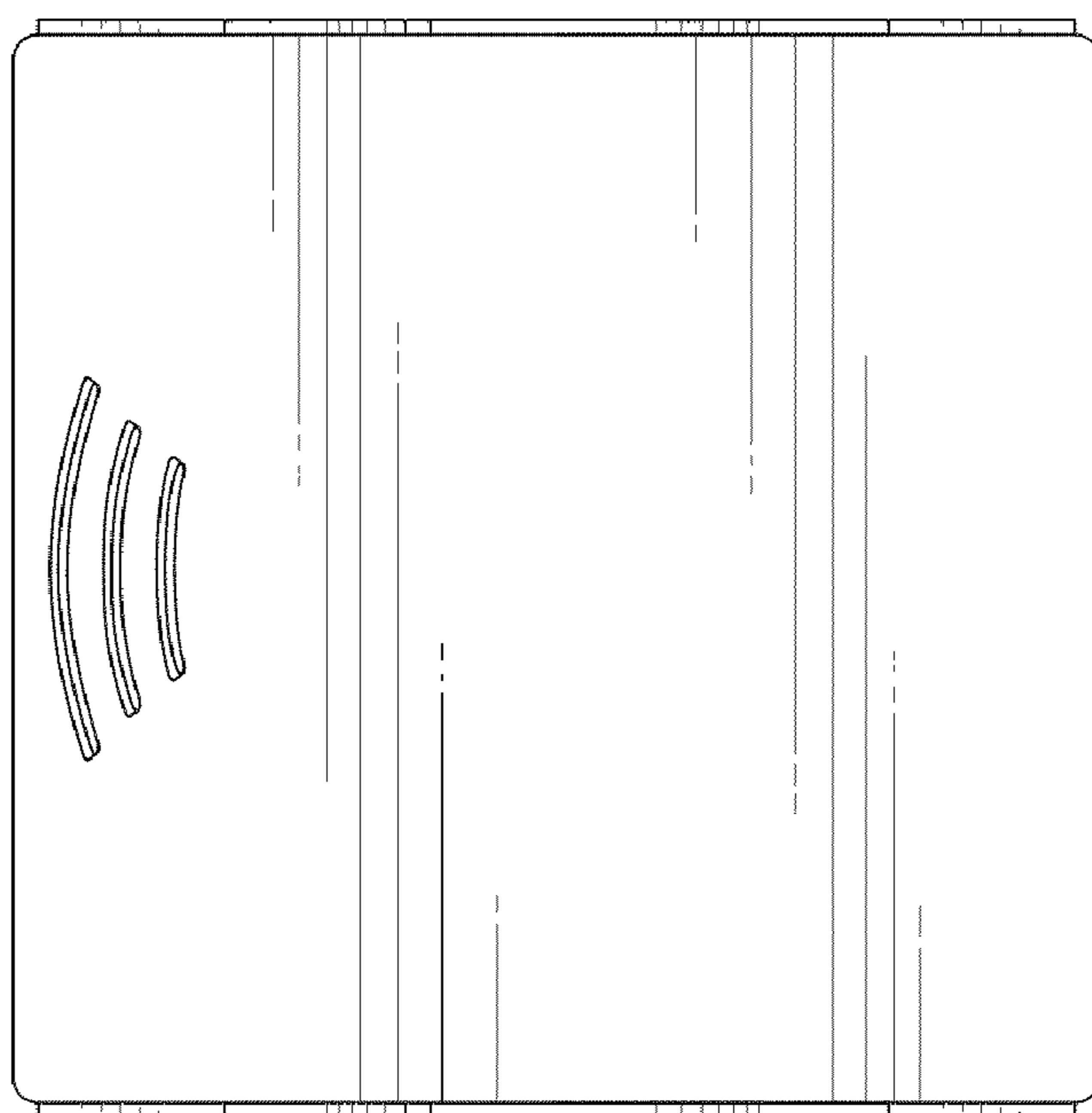


FIG. 5

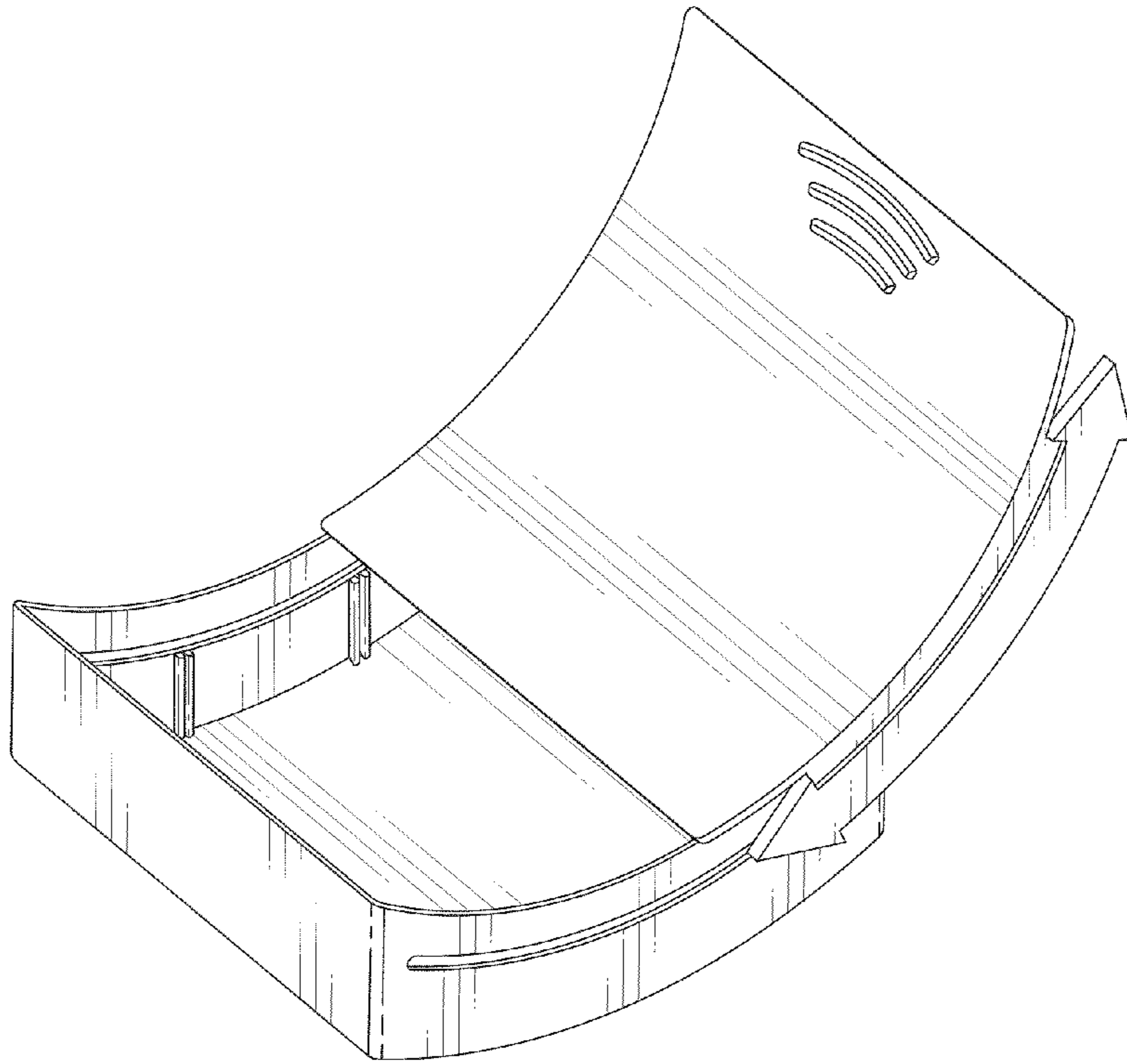


FIG. 6

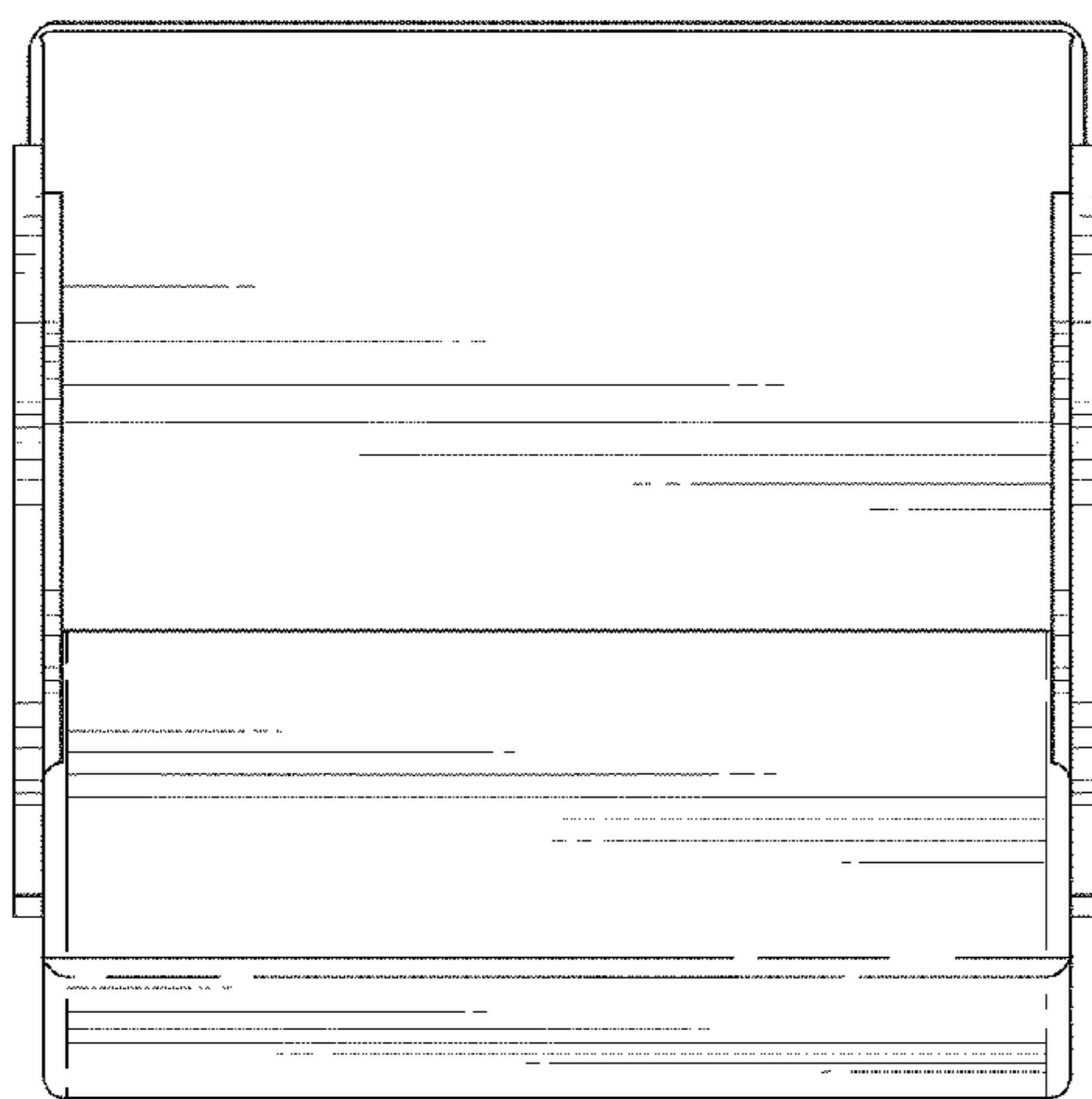


FIG. 7

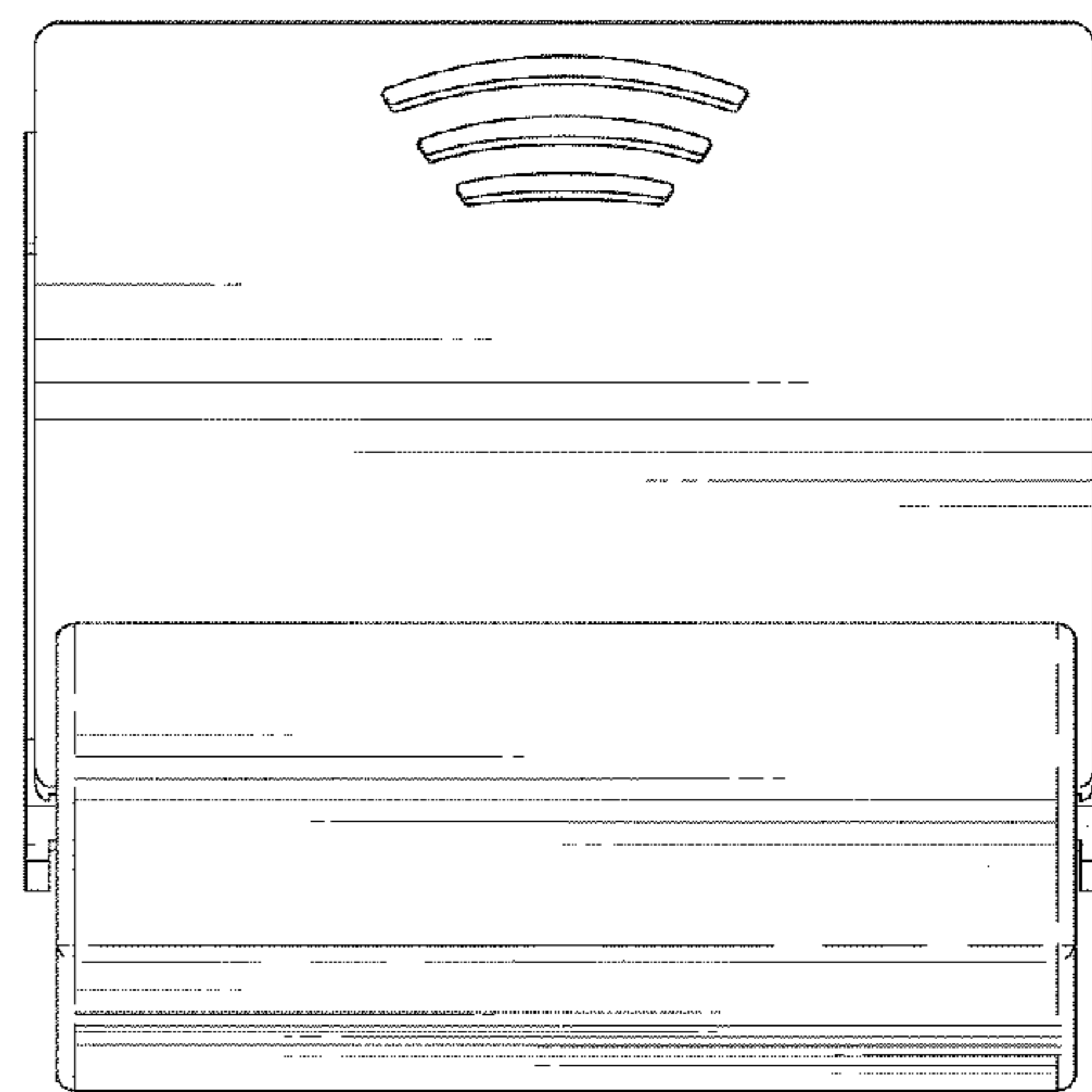


FIG. 8

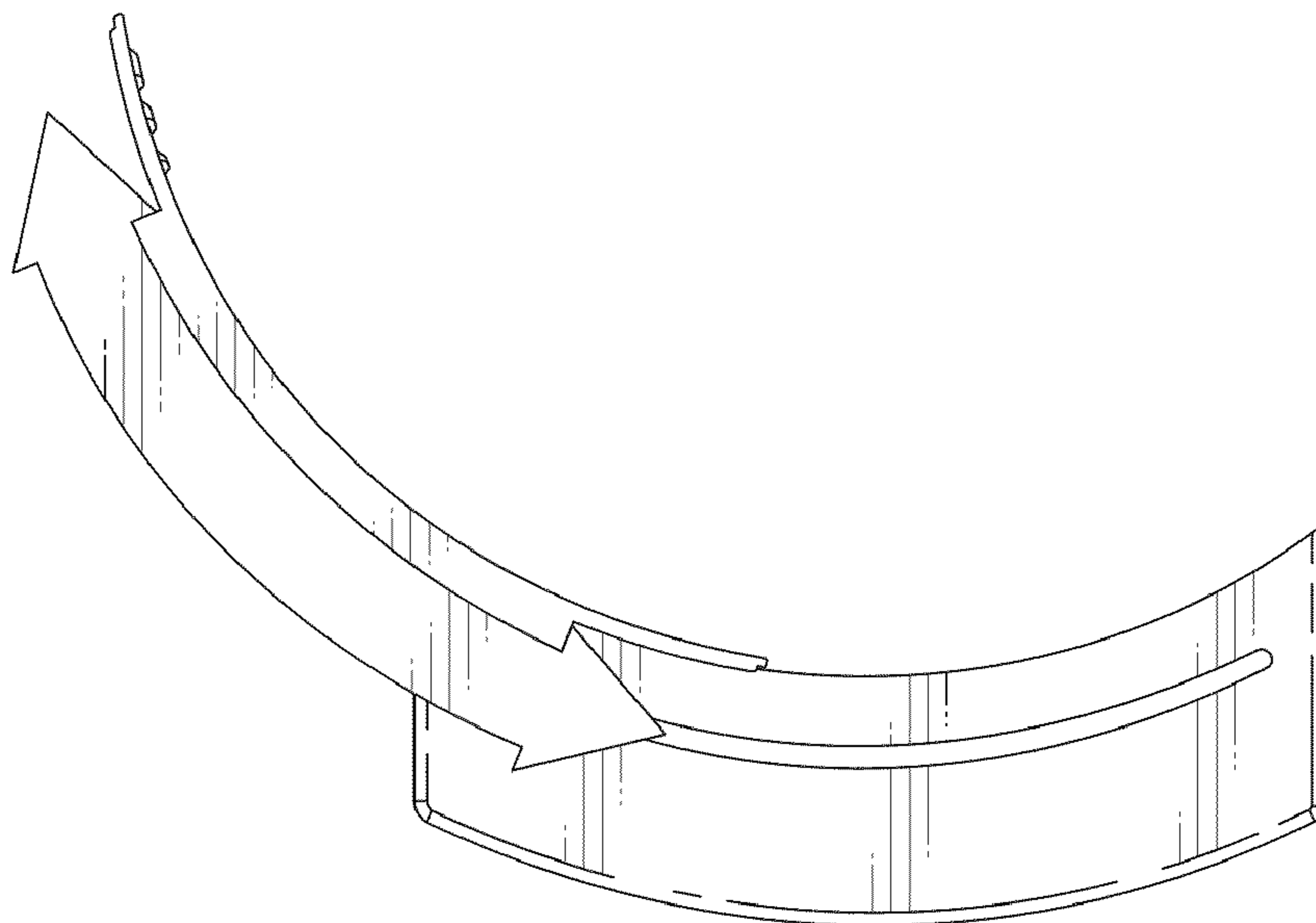


FIG. 9

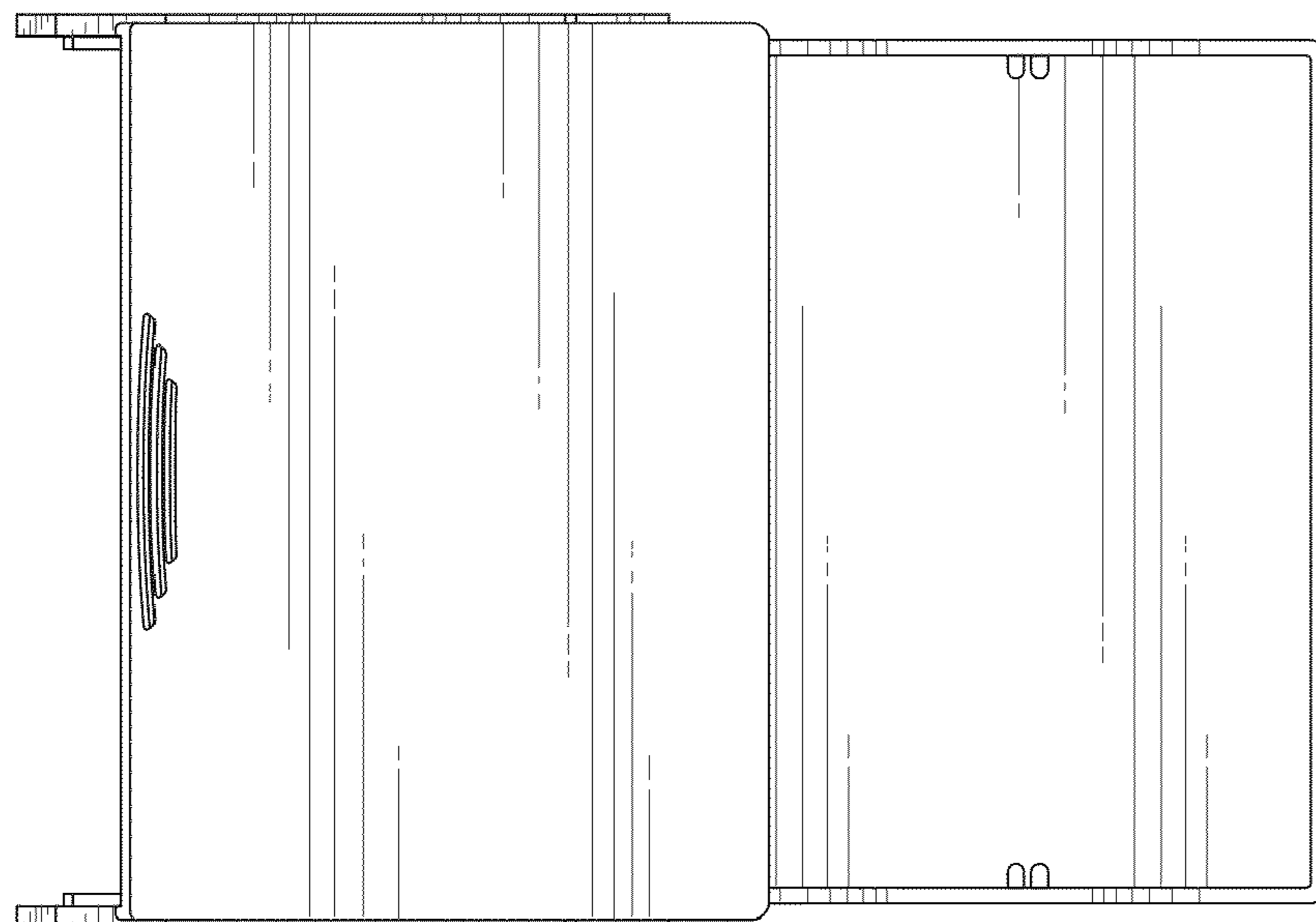


FIG. 10

Disclaimer

D. 642,903 — Neema Pourian, Skokie, IL (US). DISPENSER. Patent dated Aug. 9, 2011. Disclaimer filed Dec. 29, 2011, by the assignee Wm. Wrigley Jr. Company.

Hereby disclaims claim 1 of the patent.

(Official Gazette, January 31, 2012)