



US00D642901S

(12) **United States Design Patent**  
**Li**

(10) **Patent No.:** **US D642,901 S**

(45) **Date of Patent:** **\*\* Aug. 9, 2011**

(54) **BOLT**

(75) Inventor: **Zhong-Yong Li**, Shenzhen (CN)

(73) Assignee: **Hon Hai Precision Industry Co., Ltd.**,  
Tu-Cheng, New Taipei (TW)

(\*\*) Term: **14 Years**

(21) Appl. No.: **29/353,031**

(22) Filed: **Dec. 31, 2009**

(30) **Foreign Application Priority Data**

Dec. 8, 2009 (CN) ..... 2009 3 0328337

(51) **LOC (9) Cl.** ..... **08-08**

(52) **U.S. Cl.** ..... **D8/387**

(58) **Field of Classification Search** ..... D8/387;  
411/403, 337, 378, 410, 402, 411, 393

See application file for complete search history.

(56) **References Cited**

U.S. PATENT DOCUMENTS

6,464,440 B1 \* 10/2002 Steele ..... 411/378

D601,004 S \* 9/2009 Hagins ..... D8/387

\* cited by examiner

*Primary Examiner* — Holly Baynham

*Assistant Examiner* — Sheryl Lane

(74) *Attorney, Agent, or Firm* — Frank R. Niranjana

(57) **CLAIM**

The ornamental design for a bolt, as shown and described.

**DESCRIPTION**

FIG. 1 is a perspective view of one embodiment of a bolt showing my design;

FIG. 2 is a front elevational view thereof;

FIG. 3 is a rear elevational view thereof;

FIG. 4 is a left side, elevational view thereof;

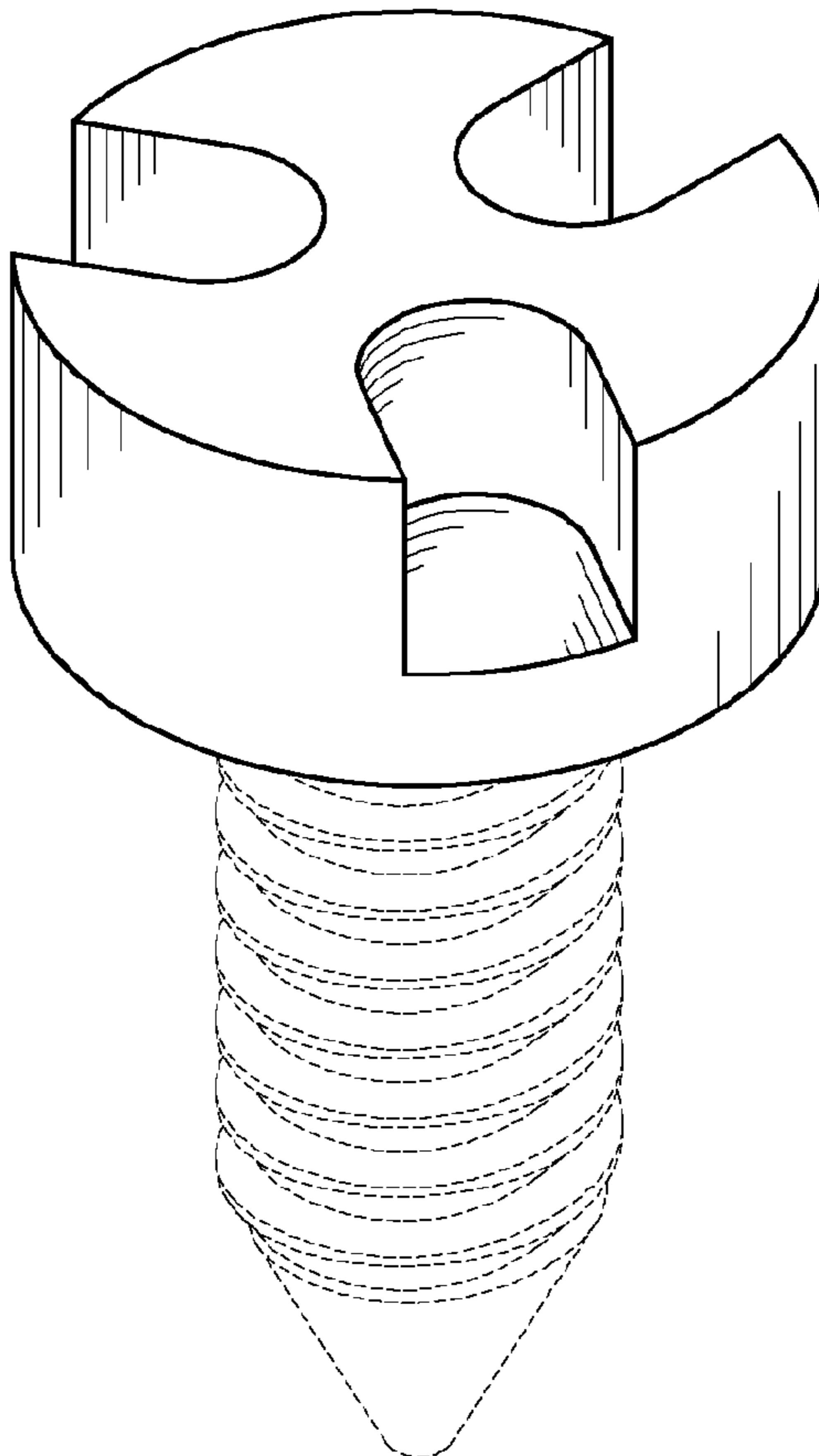
FIG. 5 is a right side, elevational view thereof;

FIG. 6 is a top plan view thereof; and,

FIG. 7 is a bottom plan view thereof.

The broken lines are shown for the purpose of illustration only and form no part of the claimed design.

**1 Claim, 7 Drawing Sheets**



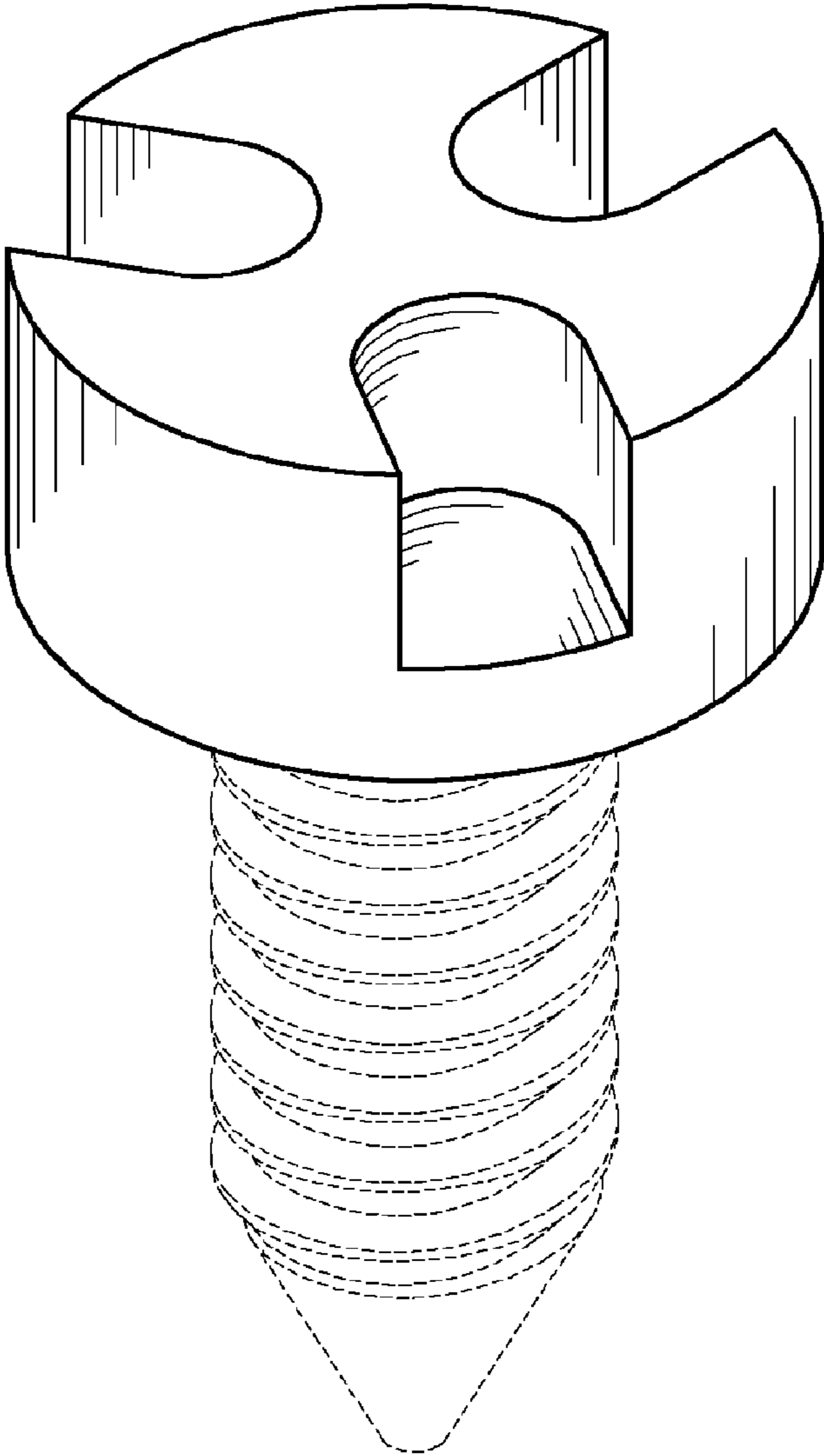


FIG. 1

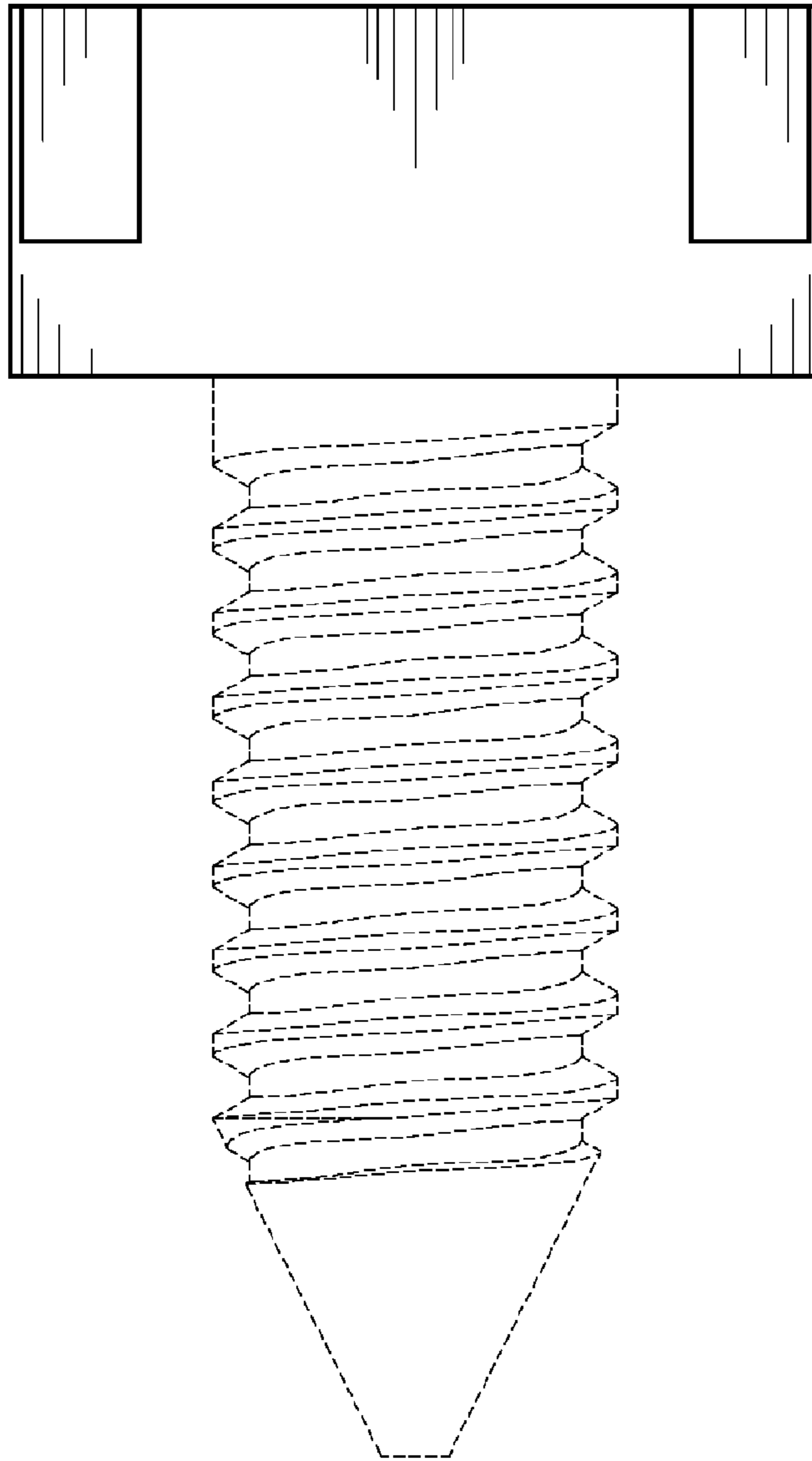


FIG. 2

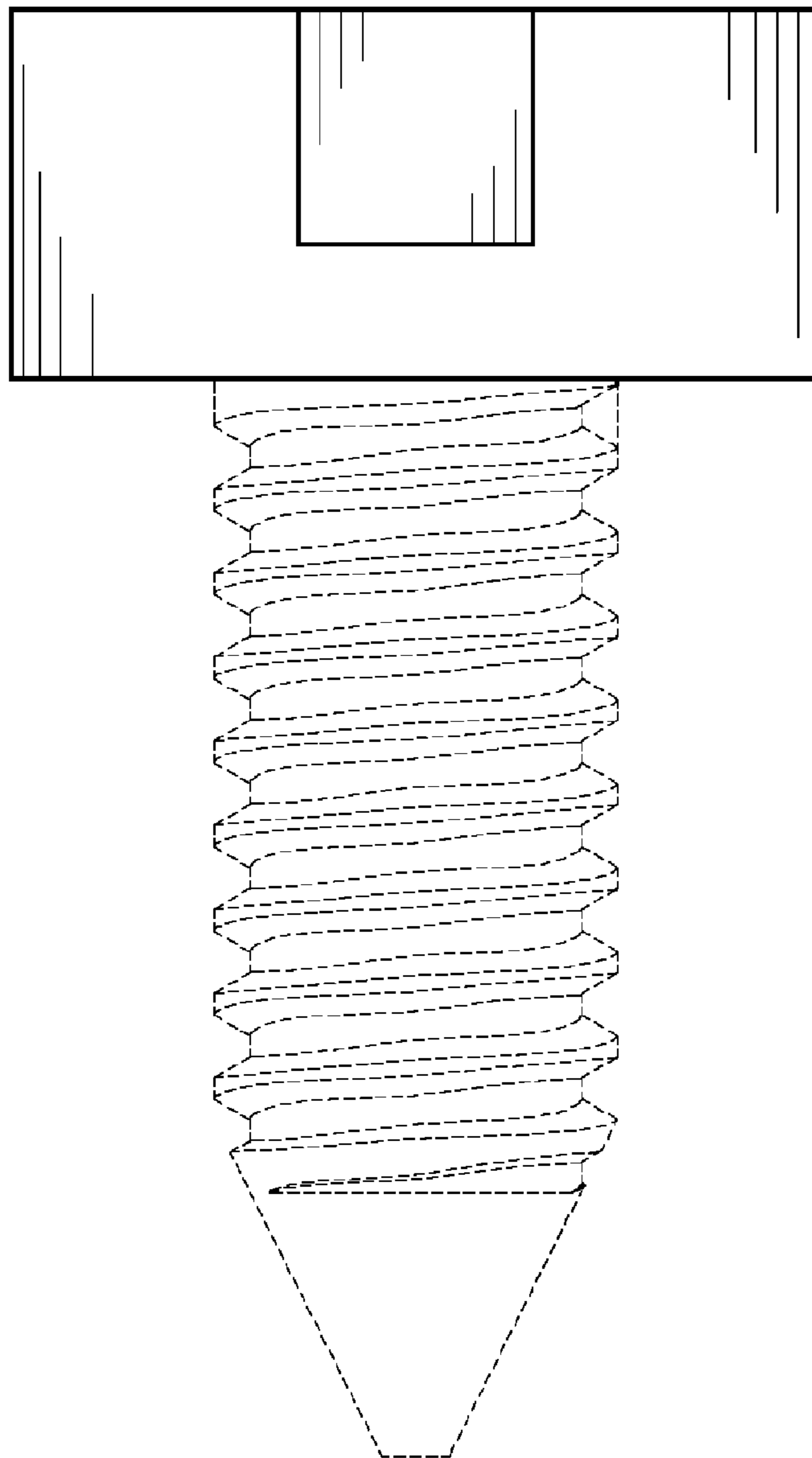


FIG. 3

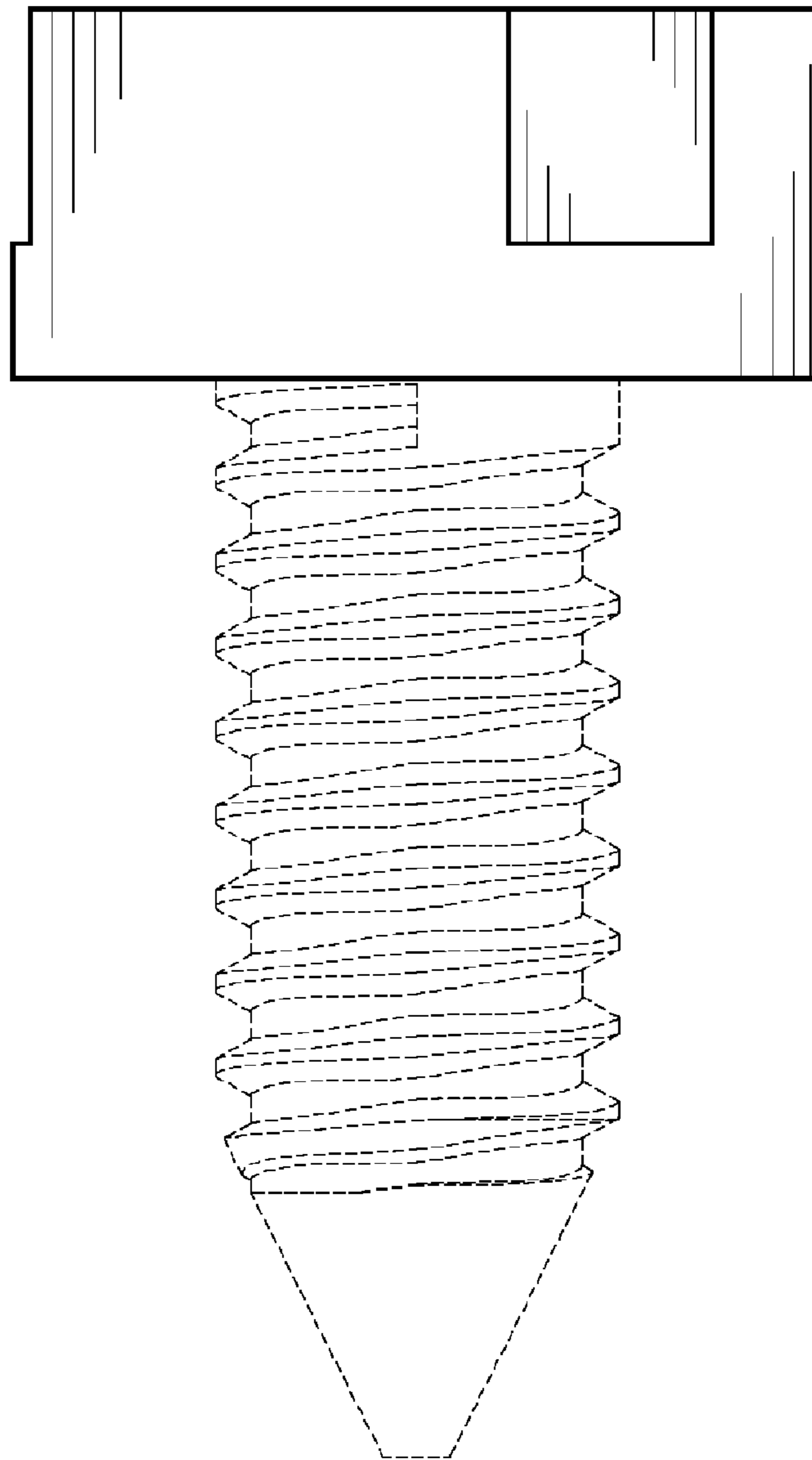


FIG. 4

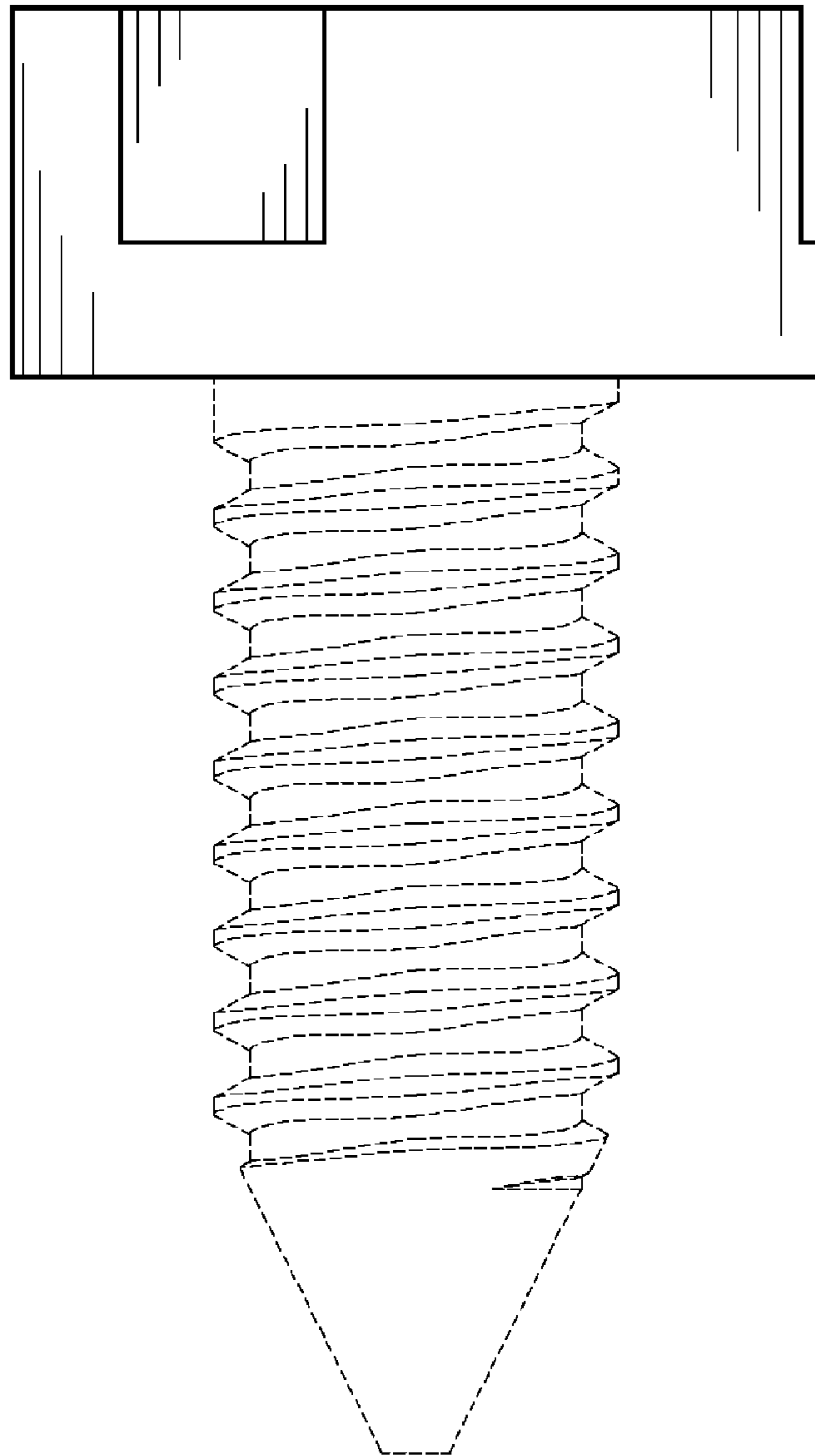


FIG. 5

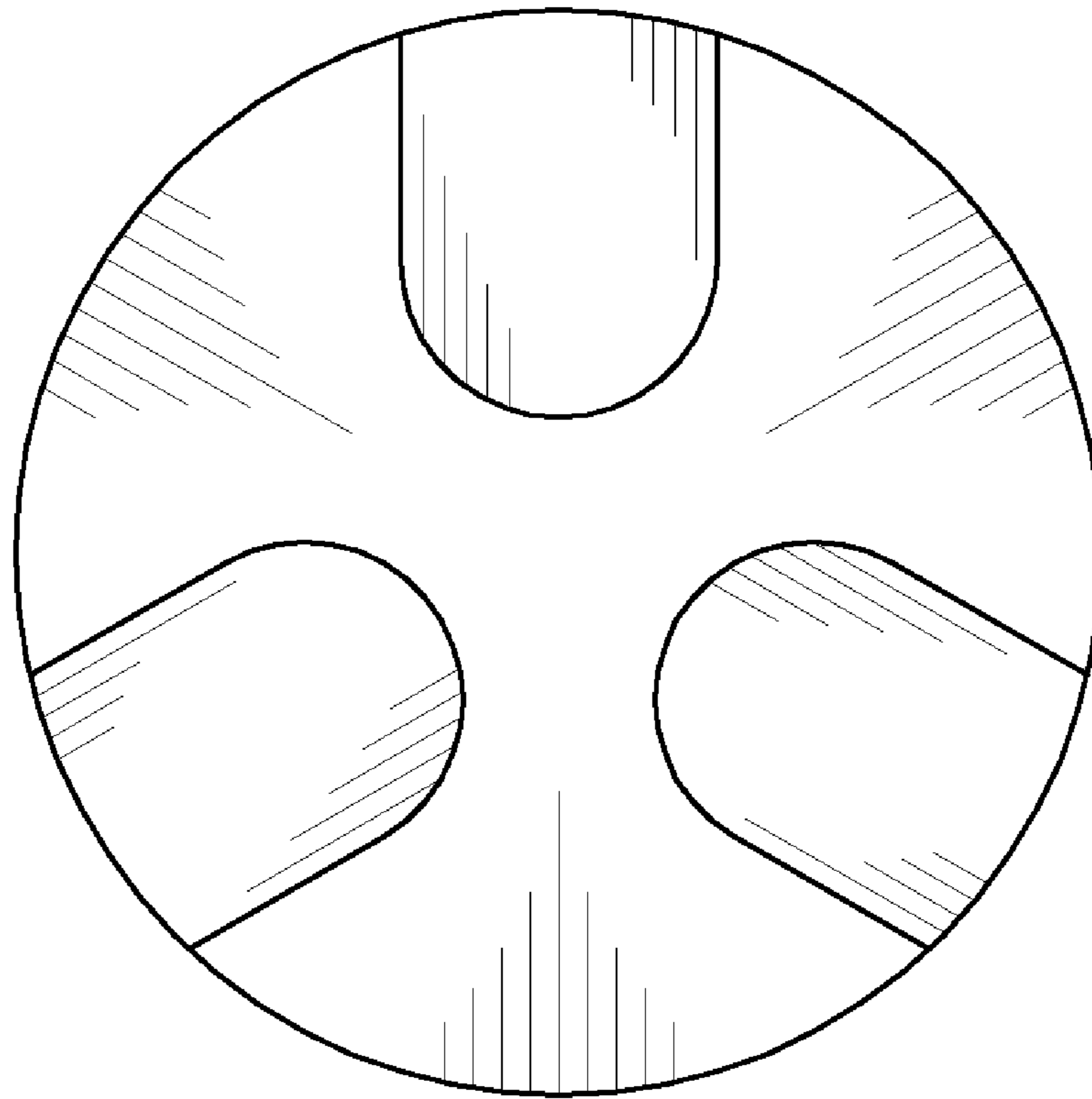


FIG. 6

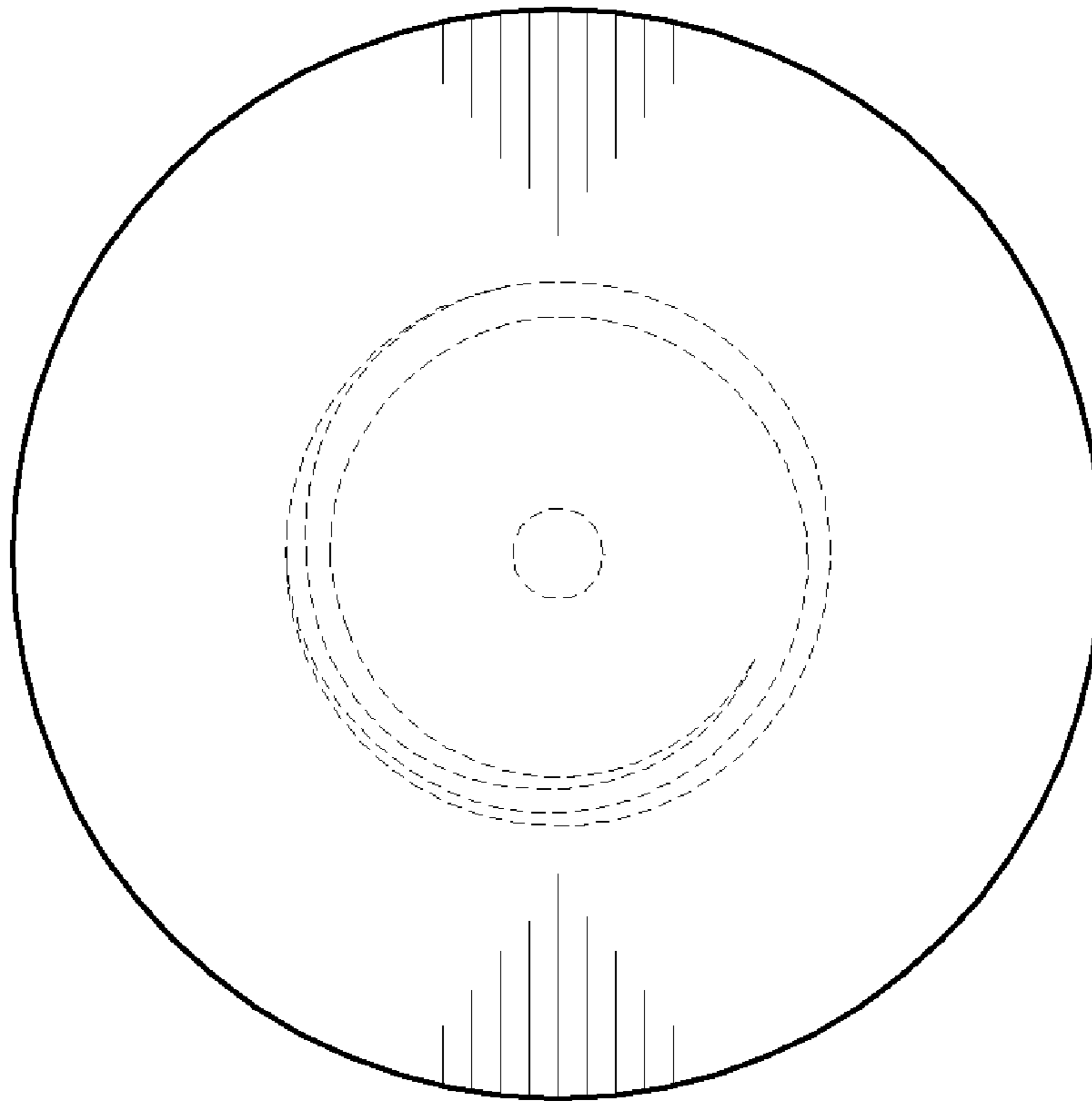


FIG. 7