

US00D642900S

(12) **United States Design Patent**  
**McDuff et al.**

(10) **Patent No.:** **US D642,900 S**  
(45) **Date of Patent:** **\*\* Aug. 9, 2011**

(54) **WALL ANCHOR**

(75) Inventors: **Pierre McDuff**, Outremont (CA);  
**Alexandre Pollak**, Laval (CA); **Lang**  
**Nguyen**, Dollard-des-Ormeaux (CA)

(73) Assignee: **Cobra Fixations Cie Ltee-Cobra**  
**Anchors Co. Ltd.**, Montreal, Quebec  
(CA)

(\*\*) Term: **14 Years**

(21) Appl. No.: **29/366,359**

(22) Filed: **Jul. 23, 2010**

(30) **Foreign Application Priority Data**

Jan. 27, 2010 (CA) ..... 133911

(51) **LOC (9) Cl.** ..... **08-08**

(52) **U.S. Cl.** ..... **D8/385**

(58) **Field of Classification Search** ..... D8/384-387,  
D8/389; 411/30, 178, 387.2, 63, 15, 340,  
411/403, 352, 107, 297

See application file for complete search history.

(56) **References Cited**

**U.S. PATENT DOCUMENTS**

165,206 A	7/1875	Brown
365,725 A	6/1887	Buckland
738,074 A	9/1903	Schick
739,512 A	9/1903	Stannard
745,722 A	12/1903	Jung
1,100,170 A	6/1914	Brosius
1,132,414 A	3/1915	White
1,159,420 A	11/1915	Rubly
1,161,268 A	11/1915	Tuck
1,185,587 A	5/1916	Bragg
1,210,610 A	1/1917	Dehn
1,333,692 A	3/1920	Wester
1,389,540 A	8/1921	Washington
1,409,291 A	3/1922	Giroux

1,573,557 A	2/1926	Alexander
1,637,981 A	8/1927	Baldwin
1,670,398 A	5/1928	Silvino
1,676,197 A	7/1928	Marrinan

(Continued)

**FOREIGN PATENT DOCUMENTS**

CA 2458320 A1 8/2004

(Continued)

**OTHER PUBLICATIONS**

International Search Report for PCT/CA2004/000311 mailed Jul. 14, 2004.

(Continued)

*Primary Examiner* — Holly Baynham

*Assistant Examiner* — Sheryl Lane

(74) *Attorney, Agent, or Firm* — Ungaretti & Harris LLP

(57) **CLAIM**

We claim the ornamental design for a wall anchor, as shown and described.

**DESCRIPTION**

FIG. 1 is a perspective view of an embodiment of our ornamental design of a wall anchor;

FIG. 2 is a top plan view of the ornamental design of the wall anchor of FIG. 1;

FIG. 3 is a front elevation view of the ornamental design of the wall anchor of FIG. 1;

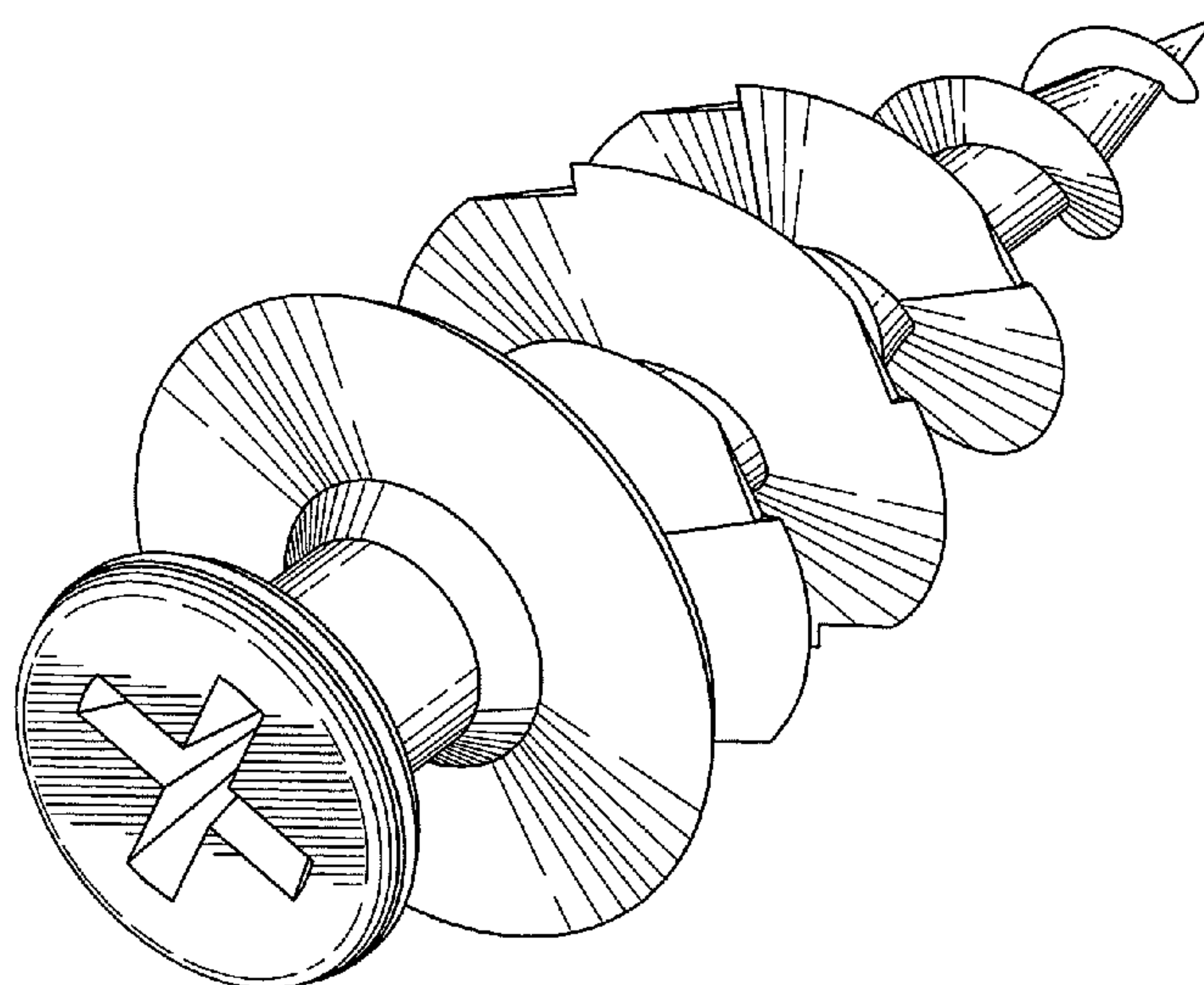
FIG. 4 is a bottom plan view of the ornamental design of the wall anchor of FIG. 1;

FIG. 5 is a right elevation view of the ornamental design of the wall anchor of FIG. 1;

FIG. 6 is a left elevation view of the ornamental design of the wall anchor of FIG. 1; and,

FIG. 7 is a rear elevation view of the ornamental design of the wall anchor of FIG. 1.

**1 Claim, 5 Drawing Sheets**



# US D642,900 S

## U.S. PATENT DOCUMENTS

1,780,474 A 11/1930 Glazer  
 1,802,934 A 4/1931 Balch  
 1,999,575 A 4/1935 Reuter, J. et al.  
 2,193,306 A 3/1940 Tinnerman  
 2,282,631 A 5/1942 Winship  
 2,339,841 A 1/1944 Deuchler et al.  
 D170,196 S 8/1953 Gries  
 2,698,470 A 1/1955 Buedingen  
 2,751,807 A 6/1956 Harre  
 2,883,946 A 4/1959 Kleef  
 2,908,196 A 10/1959 Apfelzweig  
 2,916,235 A 12/1959 Nagel  
 3,020,602 A 2/1962 Siering  
 3,127,807 A 4/1964 Modrey  
 3,143,915 A 8/1964 Tendler  
 3,248,994 A 5/1966 Mortensen  
 3,268,195 A 8/1966 Hoffman  
 3,282,547 A 11/1966 Ables  
 3,288,014 A 11/1966 Aackersberg  
 3,298,651 A 1/1967 Passer  
 3,618,447 A 11/1971 Goins  
 3,645,163 A 2/1972 Byland  
 3,707,898 A 1/1973 Holly  
 3,752,030 A 8/1973 Steurer  
 3,861,631 A 1/1975 Shorin  
 3,891,176 A 6/1975 Downing et al.  
 3,912,211 A 10/1975 Topf  
 3,926,394 A 12/1975 Mauceri et al.  
 3,966,157 A 6/1976 Corral et al.  
 4,043,245 A 8/1977 Kaplan  
 4,075,924 A 2/1978 McSherry et al.  
 4,120,231 A 10/1978 Neumayer  
 4,181,061 A 1/1980 McSherry  
 D259,700 S 6/1981 Chasen  
 4,274,324 A 6/1981 Giannuzzi  
 4,285,264 A 8/1981 Einhorn  
 4,286,497 A 9/1981 Shamah  
 4,294,156 A 10/1981 McSherry et al.  
 4,300,745 A 11/1981 Peterson  
 4,406,108 A 9/1983 Beck et al.  
 4,573,844 A 3/1986 Smith  
 4,613,108 A 9/1986 Sundstrom et al.  
 4,619,430 A 10/1986 Hogg  
 4,650,386 A 3/1987 McSherry et al.  
 4,697,969 A 10/1987 Sparkes  
 4,719,917 A 1/1988 Barrows et al.  
 4,821,992 A 4/1989 Johnson  
 4,822,226 A 4/1989 Kennedy  
 D301,975 S 7/1989 Mullen  
 4,871,140 A 10/1989 Hoskinson et al.  
 5,028,030 A 7/1991 Lewis  
 5,059,077 A 10/1991 Schmid  
 5,067,864 A 11/1991 Dewey et al.  
 5,149,037 A 9/1992 Smith  
 5,215,418 A 6/1993 Trainer et al.  
 5,221,169 A 6/1993 McSherry et al.  
 5,236,293 A 8/1993 McSherry et al.  
 D339,980 S 10/1993 Sheehan  
 5,267,718 A 12/1993 Sheehan  
 5,267,719 A 12/1993 Keller  
 5,308,203 A 5/1994 McSherry et al.  
 5,322,401 A 6/1994 Vernet  
 5,437,429 A 8/1995 Atlas  
 5,529,449 A 6/1996 McSherry et al.  
 5,536,121 A 7/1996 McSherry  
 5,584,462 A 12/1996 Reese  
 5,596,792 A 1/1997 Shelton

D378,052 S \* 2/1997 Perreault ..... D8/387  
 D381,892 S \* 8/1997 Porter et al. .... D8/387  
 5,702,218 A 12/1997 Onofrio  
 5,725,302 A 3/1998 Sirkin  
 5,752,792 A 5/1998 McSherry  
 5,755,545 A 5/1998 Banks  
 5,833,415 A 11/1998 McSherry  
 D404,287 S 1/1999 Hepworth  
 5,876,169 A 3/1999 Wrigley  
 5,878,988 A 3/1999 Rakower  
 D409,082 S 5/1999 Donahue  
 5,944,295 A 8/1999 McSherry  
 D417,385 S 12/1999 Bries et al.  
 6,036,149 A 3/2000 Del Pino et al.  
 D424,816 S 5/2000 Snell  
 6,126,126 A 10/2000 McKiernan, Jr.  
 6,250,865 B1 6/2001 McSherry  
 6,279,862 B1 8/2001 Gershowitz  
 D457,419 S 5/2002 McSherry et al.  
 6,419,436 B1 7/2002 Gaudron  
 6,435,789 B2 8/2002 Gaudron  
 D462,895 S \* 9/2002 Gaudron ..... D8/385  
 6,457,926 B1 10/2002 Pope  
 D473,451 S 4/2003 Goodman et al.  
 D480,292 S 10/2003 Johansson et al.  
 D480,625 S 10/2003 Snell  
 D486,057 S 2/2004 Chen  
 D493,699 S 8/2004 Goodman et al.  
 D494,452 S 8/2004 Sheldon et al.  
 6,821,069 B2 11/2004 Ikuta  
 6,830,228 B2 12/2004 Ernst  
 6,884,012 B2 4/2005 Panasik  
 D515,911 S 2/2006 McDuff  
 D516,412 S 3/2006 McDuff  
 7,160,074 B2 1/2007 Ernst et al.  
 D554,481 S 11/2007 Newbould et al.  
 D554,483 S 11/2007 Hager et al.  
 D557,595 S 12/2007 Ernst et al.  
 7,320,569 B2 \* 1/2008 Kaye et al. .... 411/30  
 D566,532 S 4/2008 Wolff  
 7,395,998 B2 7/2008 Peterson  
 D593,141 S \* 5/2009 Gaudron ..... D15/139  
 7,547,171 B2 6/2009 McDuff  
 D605,933 S \* 12/2009 Gaudron ..... D8/385  
 D607,311 S 1/2010 Snider  
 7,694,401 B2 4/2010 Peterson  
 7,713,013 B2 5/2010 Sedgwick et al.  
 2001/0046429 A1 11/2001 Gaudron  
 2007/0124910 A1 6/2007 Peterson et al.  
 2007/0235622 A1 10/2007 Baran et al.

## FOREIGN PATENT DOCUMENTS

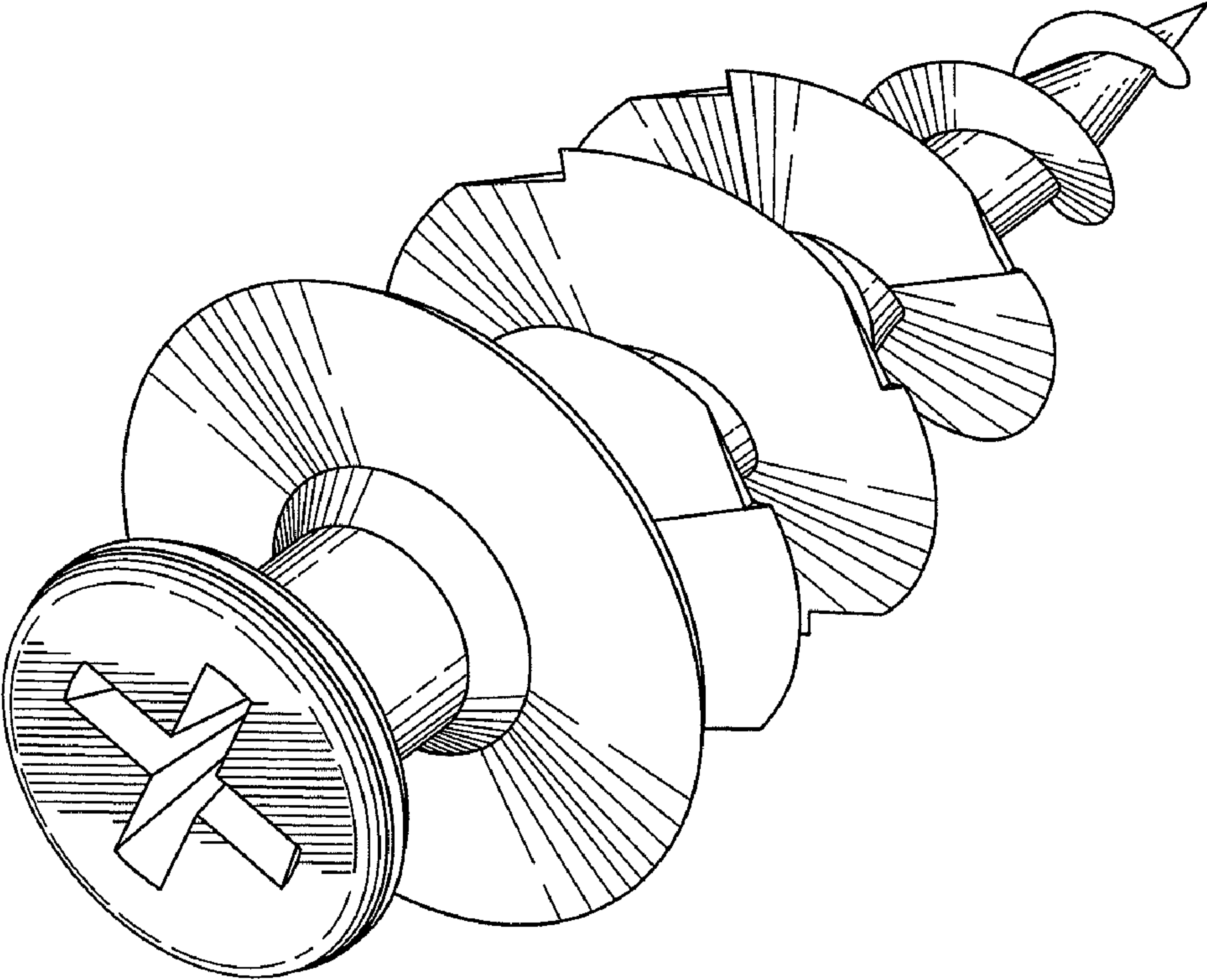
CA	2420718	9/2004
CH	491296	5/1970
EP	0713981 A1	5/1996
WO	96/02170	2/1996
WO	96/16273	5/1996
WO	2004079209 A1	9/2004

## OTHER PUBLICATIONS

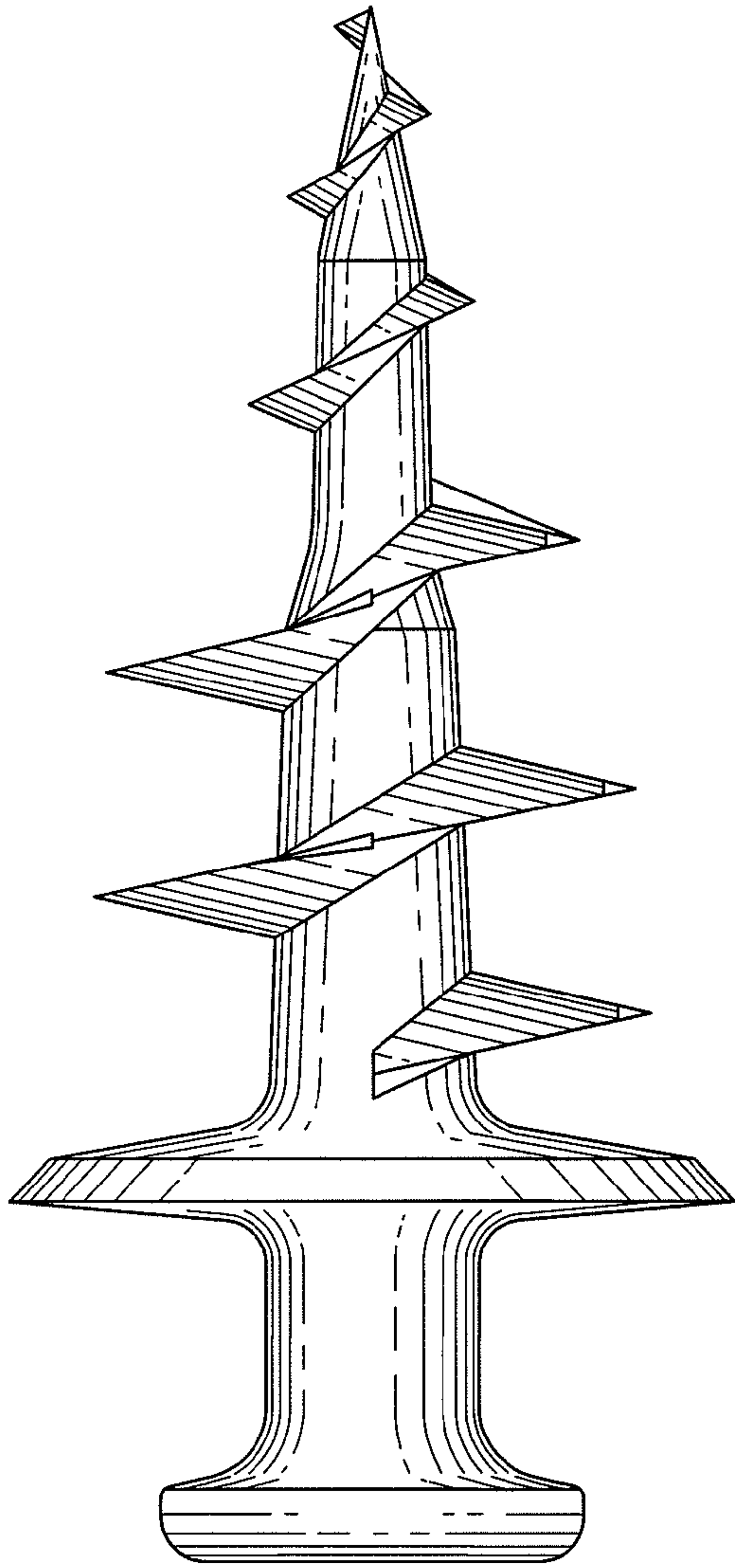
International Search Report for PCT/CA2006/000419 mailed Jul. 6, 2006.  
 International Search Report for PCT/CA2006/000428 mailed Jul. 13, 2006.  
 International Search Report for PCT/US2003/039974 mailed Jul. 16, 2004.

\* cited by examiner

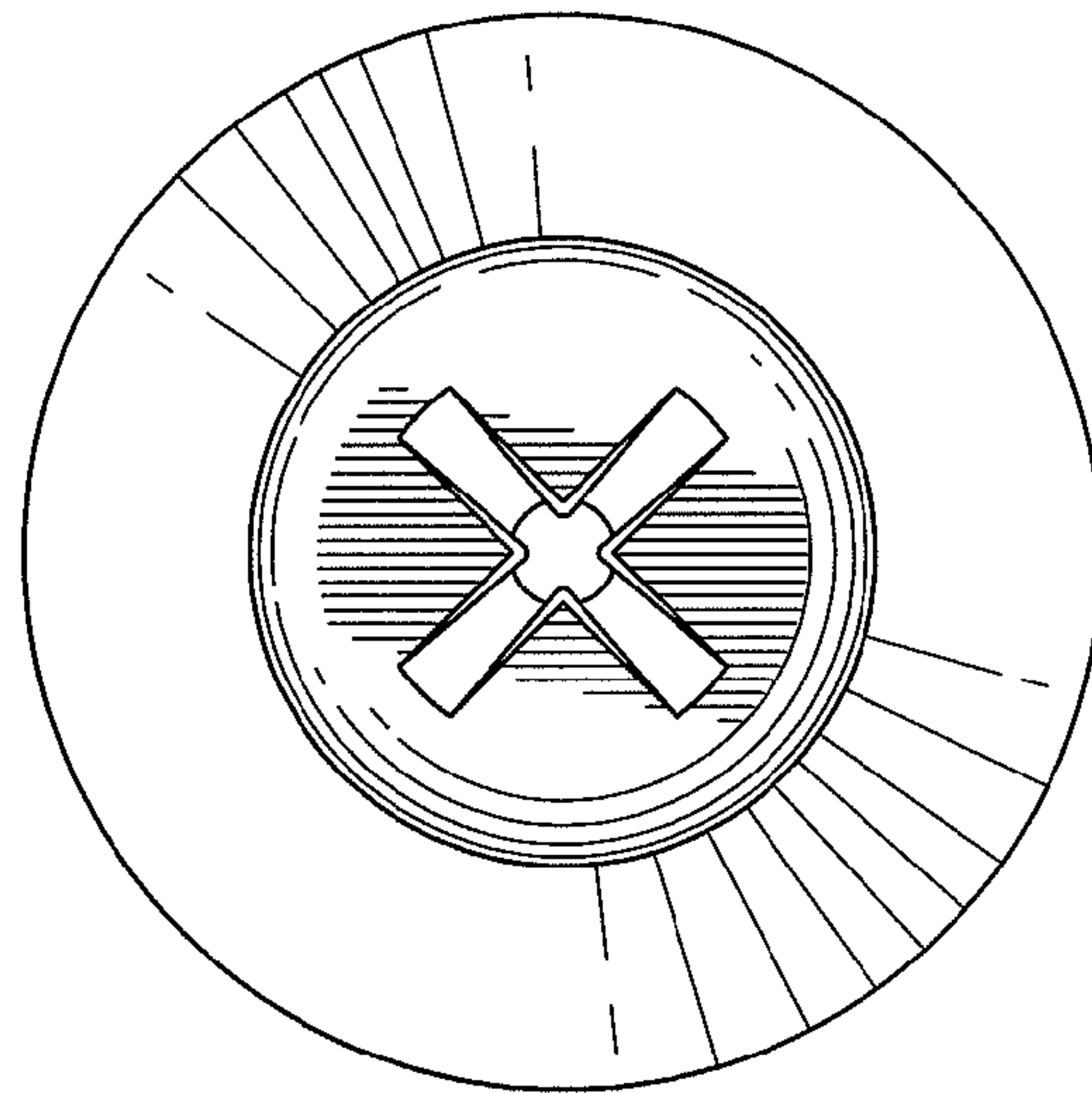




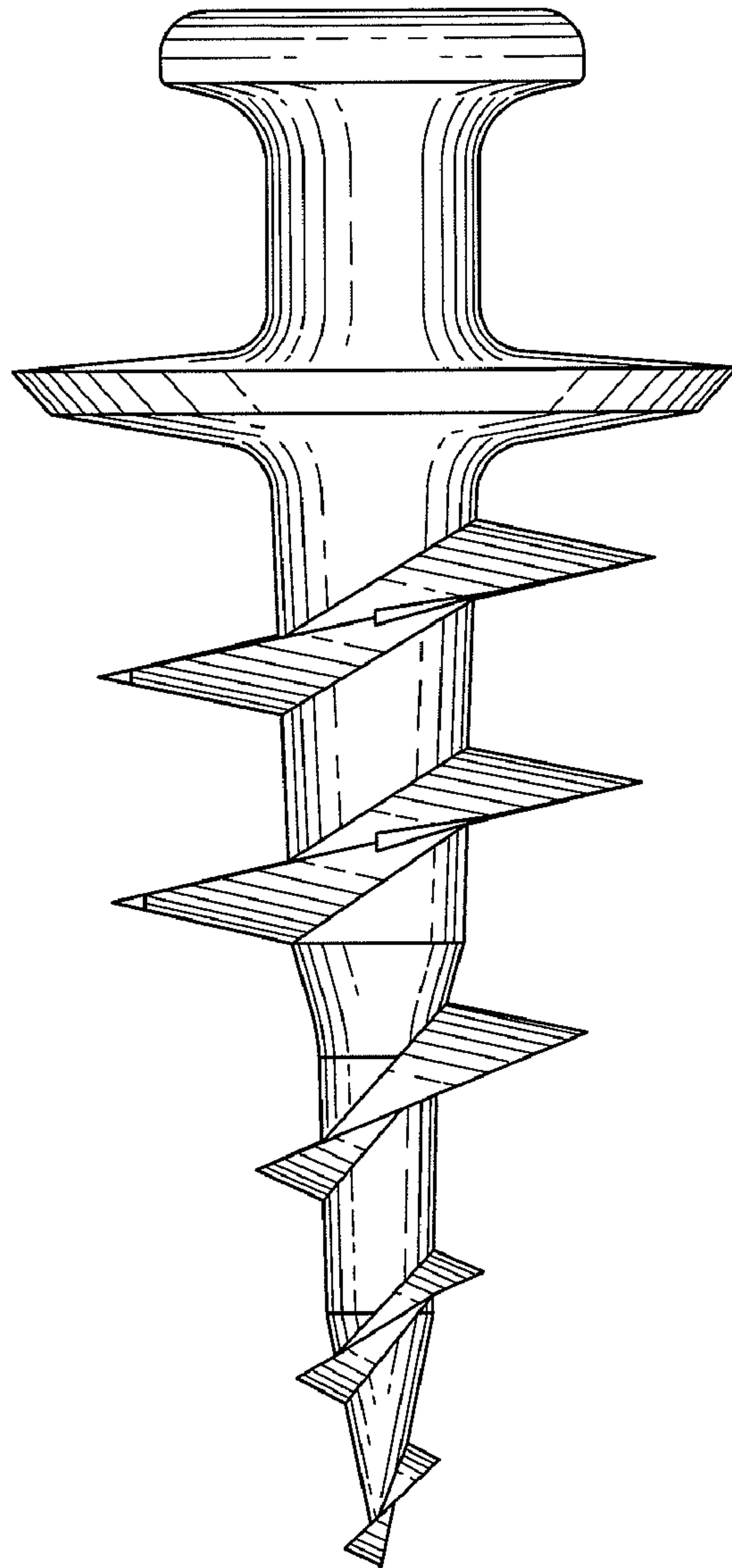
*Fig. 1*



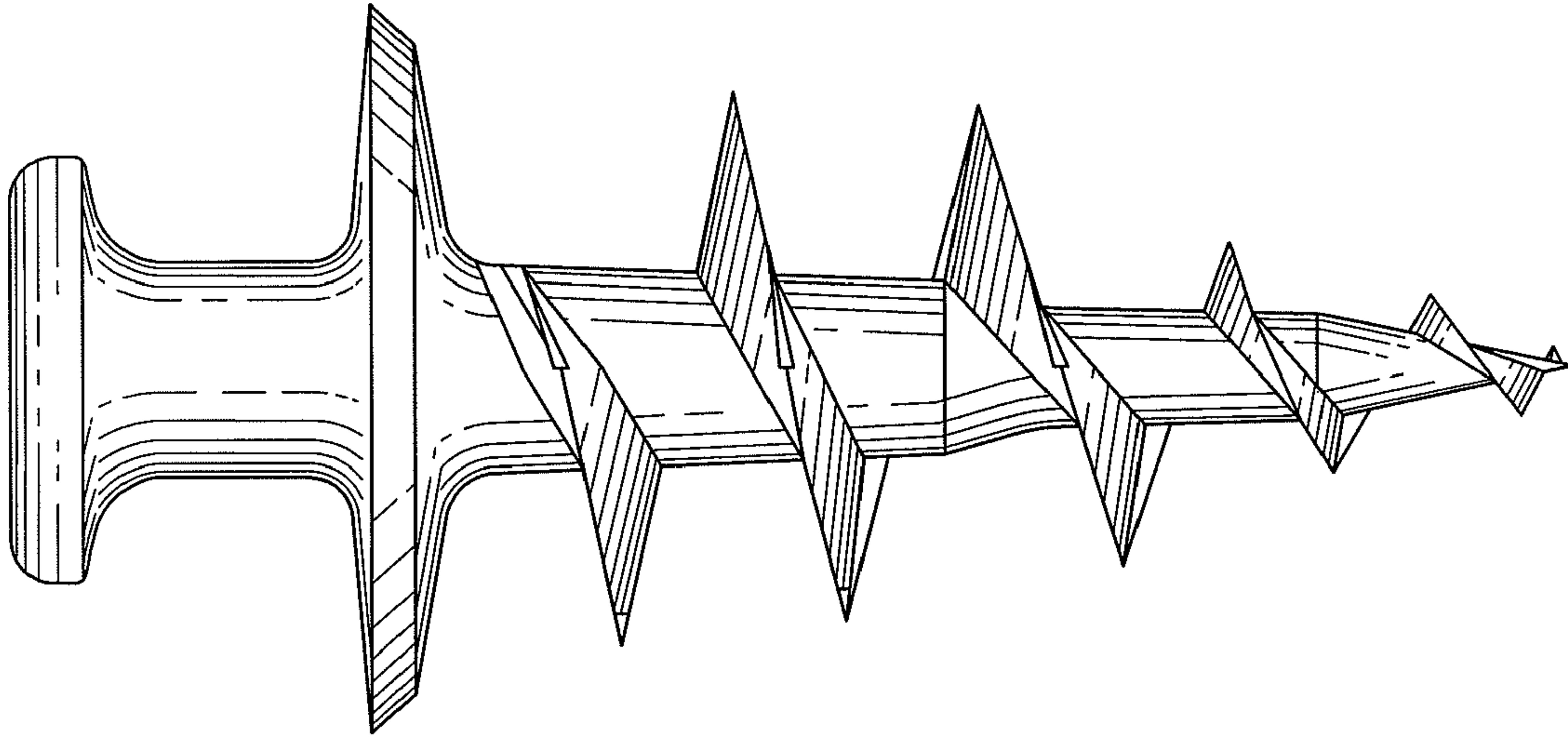
*Fig. 2*



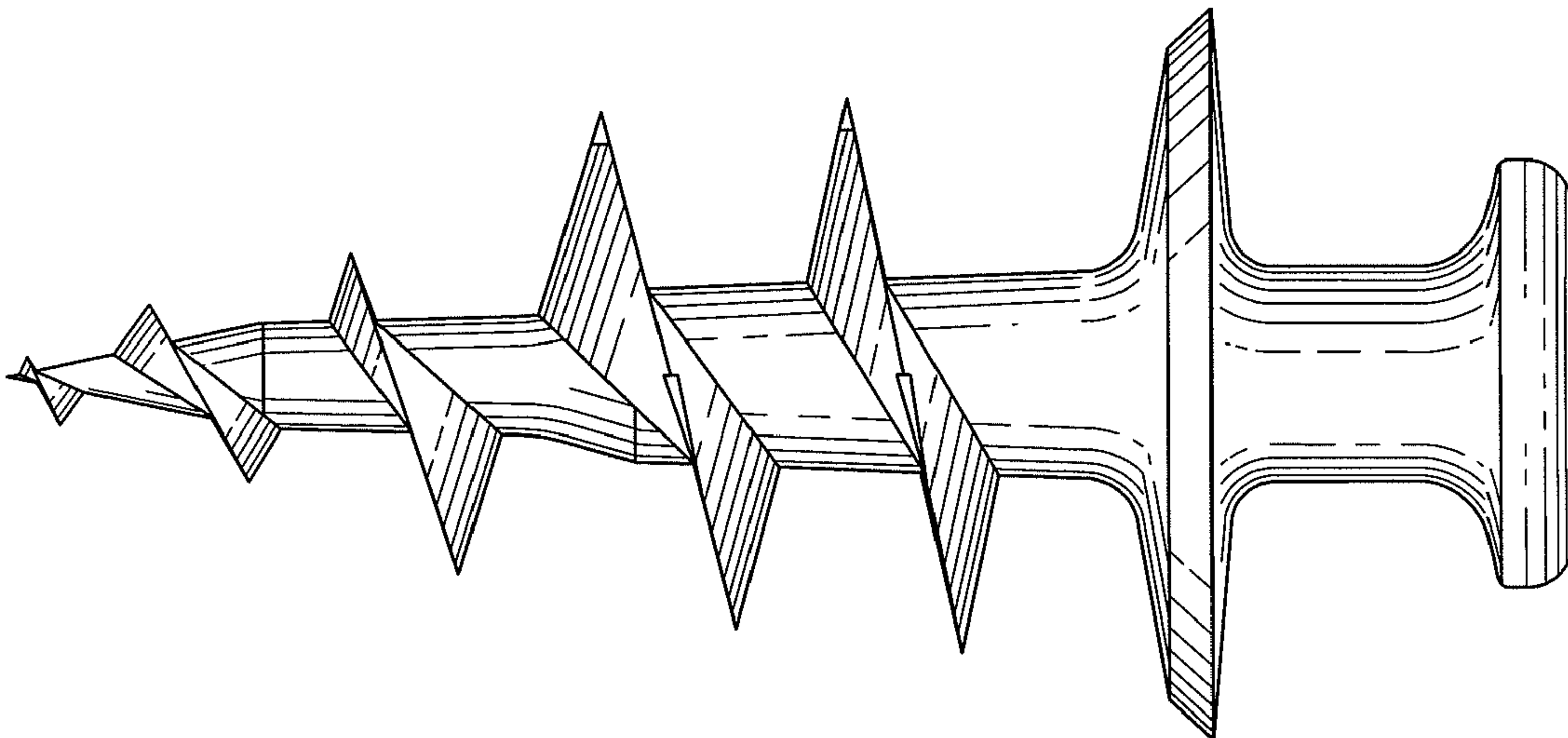
*Fig. 3*



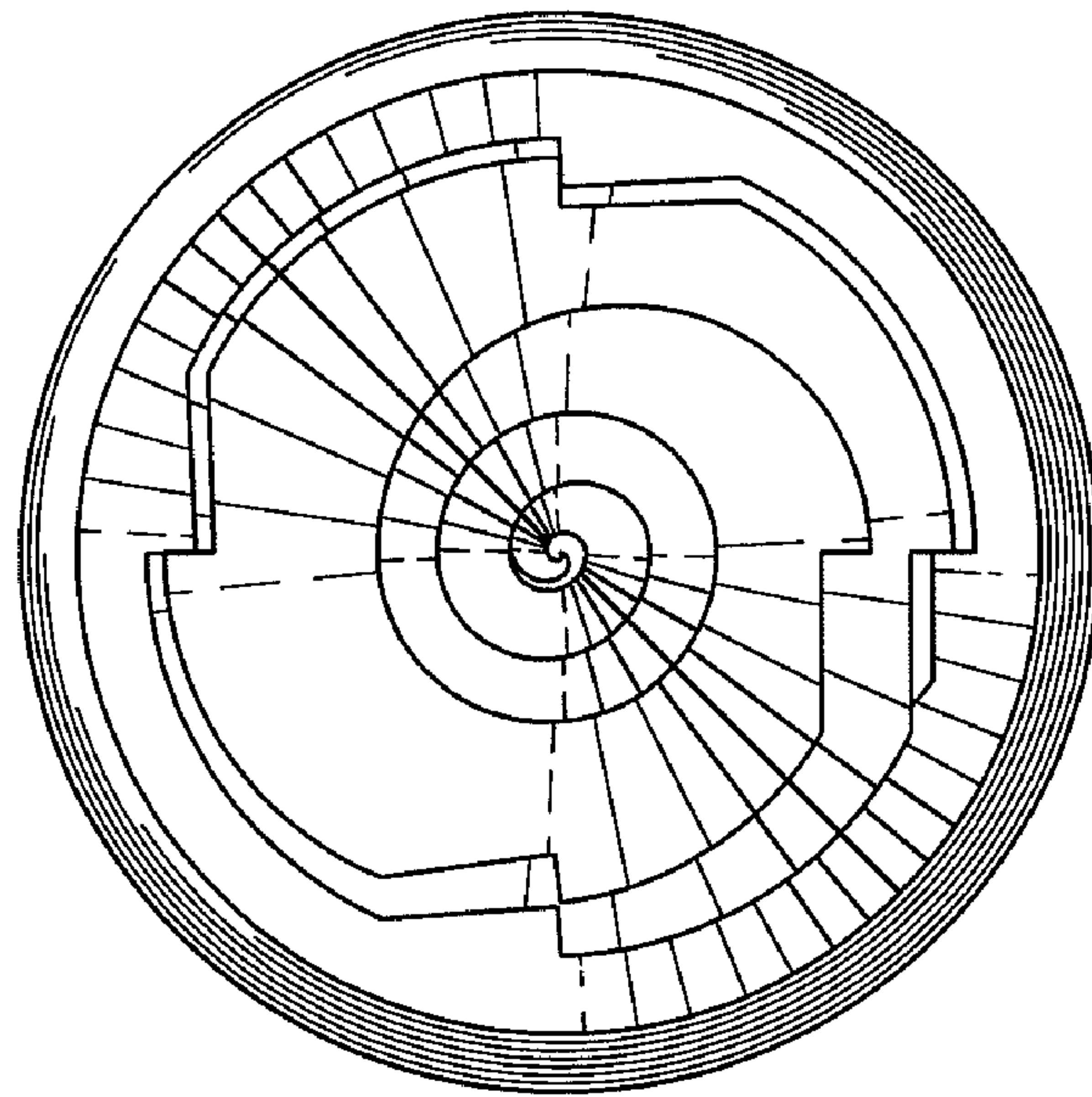
*Fig. 4*



*Fig. 5*



*Fig. 6*



*Fig. 7*