



US00D642896S

(12) **United States Design Patent**
Buras, Jr. et al.

(10) **Patent No.:** **US D642,896 S**

(45) **Date of Patent:** **** Aug. 9, 2011**

(54) **ELASTOMERIC FASTENER**
(75) Inventors: **Kenneth J. Buras, Jr.**, Spring, TX (US);
Brian Roderman, Plano, TX (US);
David Singer, Austin, TX (US)

(73) Assignee: **The Wiremold Company**, West
Hartford, CT (US)

(**) Term: **14 Years**

(21) Appl. No.: **29/367,553**

(22) Filed: **Aug. 10, 2010**

(51) **LOC (9) Cl.** **08-06**

(52) **U.S. Cl.** **D8/356; D11/200**

(58) **Field of Classification Search** D11/1-2,
D11/200-201, 206-210, 212, 214-218, 222;
24/163 R, 169-171, 173, 177-179, 191, 194-195,
24/197, 200, 614-616, 625, 16 PB; D8/349,
D8/382, 387, 395, 394, 44, 72, 354, 396,
D8/367, 373, 356; 174/40 CC; 224/250;
248/74.3

See application file for complete search history.

(56) **References Cited**

U.S. PATENT DOCUMENTS

D46,621	S	*	11/1914	Schade, Jr.	D8/395
3,147,523	A	*	9/1964	Logan	24/16 PB
3,301,266	A		1/1967	Hoffmann		
3,919,740	A		11/1975	Scherb		
4,128,220	A	*	12/1978	McNeel	248/60
4,158,250	A		6/1979	Ringwald		
D276,134	S	*	10/1984	Ericsson	D8/396
4,569,108	A		2/1986	Schwab		
D293,205	S	*	12/1987	Nakano	D8/395
D312,036	S	*	11/1990	Carlson	D8/356
D312,037	S	*	11/1990	Carlson	D8/356
5,199,135	A		4/1993	Gold		
5,263,671	A	*	11/1993	Baum	248/68.1
5,354,021	A	*	10/1994	Farrell	248/74.3
D352,647	S	*	11/1994	Stevens	D8/72
5,715,578	A		2/1998	Knudson		

D395,596	S	*	6/1998	Butera	D8/396
D539,117	S	*	3/2007	Sealey et al.	D8/349
D621,240	S	*	8/2010	Lutter et al.	D8/356
D631,730	S	*	2/2011	Skillman	D8/356
D632,949	S	*	2/2011	Rowley	D8/356
D634,186	S	*	3/2011	Kemper	D8/387
2003/0041417	A1		3/2003	Smith		
2005/0039310	A1		2/2005	Borne		
2007/0056999	A1		3/2007	Kahn		

FOREIGN PATENT DOCUMENTS

FR 1450821 7/1966

OTHER PUBLICATIONS

Website www.urashimataro-usa.com/ft.html, UT Wire, Home & Office Cord Organizing Products, Flexi Ties.

* cited by examiner

Primary Examiner — Ralf Seifert

(74) Attorney, Agent, or Firm — McCormick, Paulding & Huber LLP

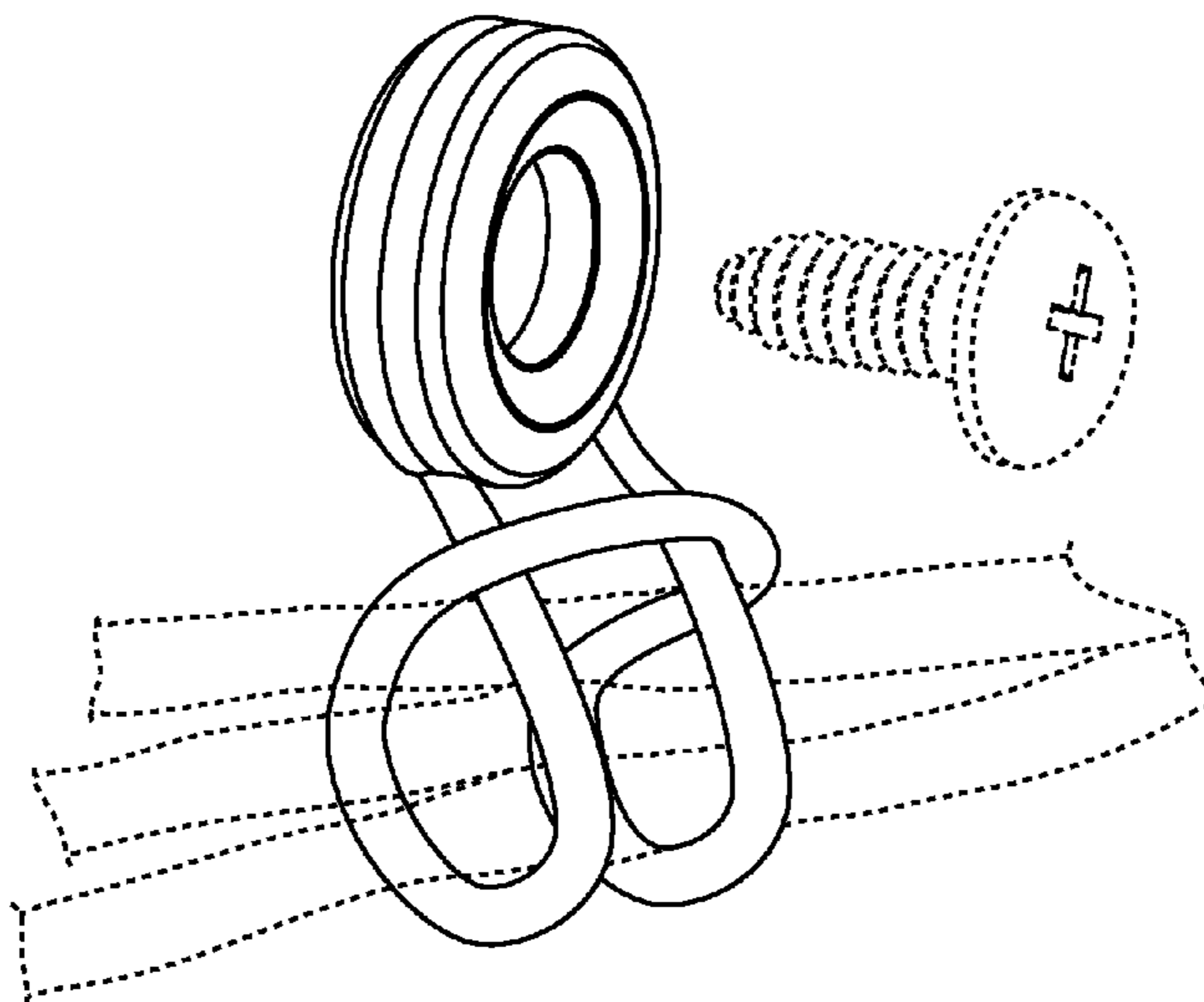
(57) **CLAIM**

The ornamental design for an elastomeric fastener, substantially as shown and described.

DESCRIPTION

FIG. 1 is a front view of an elastomeric fastener comprising a new, original and ornamental design;
FIG. 2 is a right-hand side view of an elastomeric fastener comprising the new, original and ornamental design, the left-hand side view being a mirror image thereof;
FIG. 3 is a top view of an elastomeric fastener comprising the new, original and ornamental design;
FIG. 4 is a bottom view of an elastomeric fastener comprising the new, original and ornamental design; and,
FIG. 5 is a front, top, left-hand side perspective view of an elastomeric fastener comprising the new, original and ornamental design, the portions shown in broken lines forming no part of the design.

1 Claim, 1 Drawing Sheet



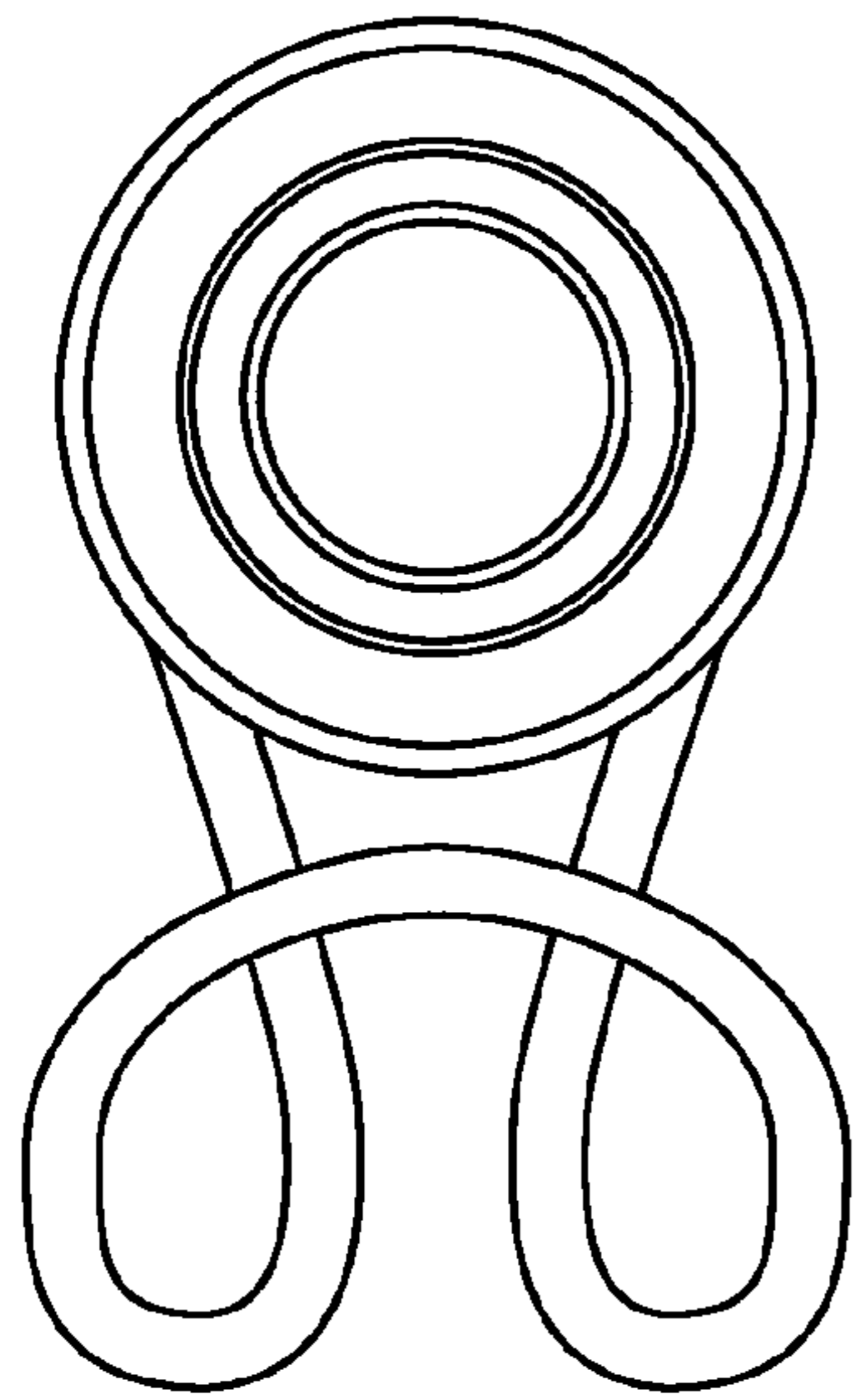


FIG. 1

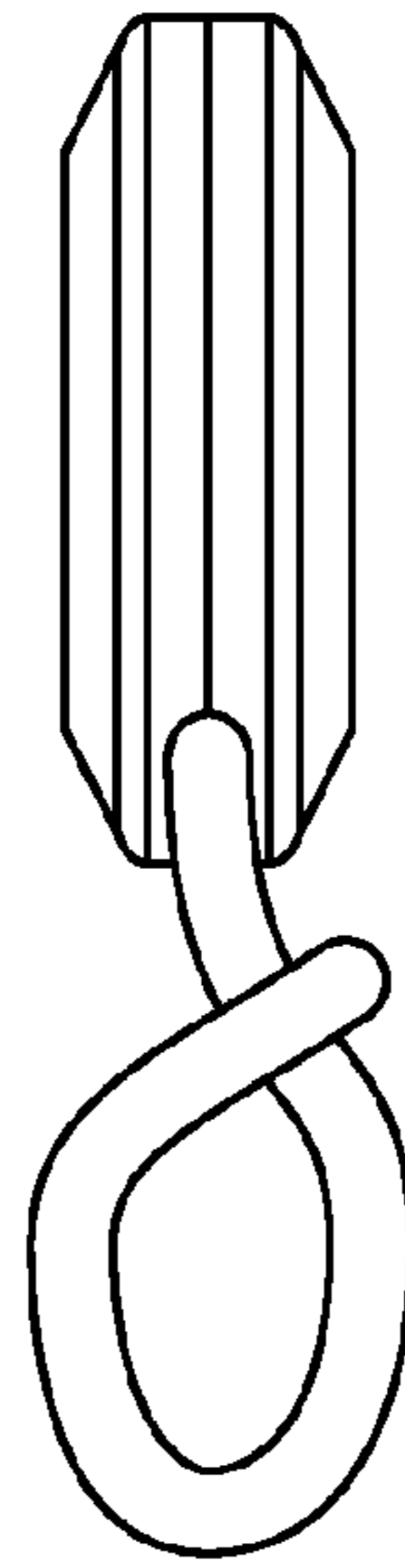


FIG. 2

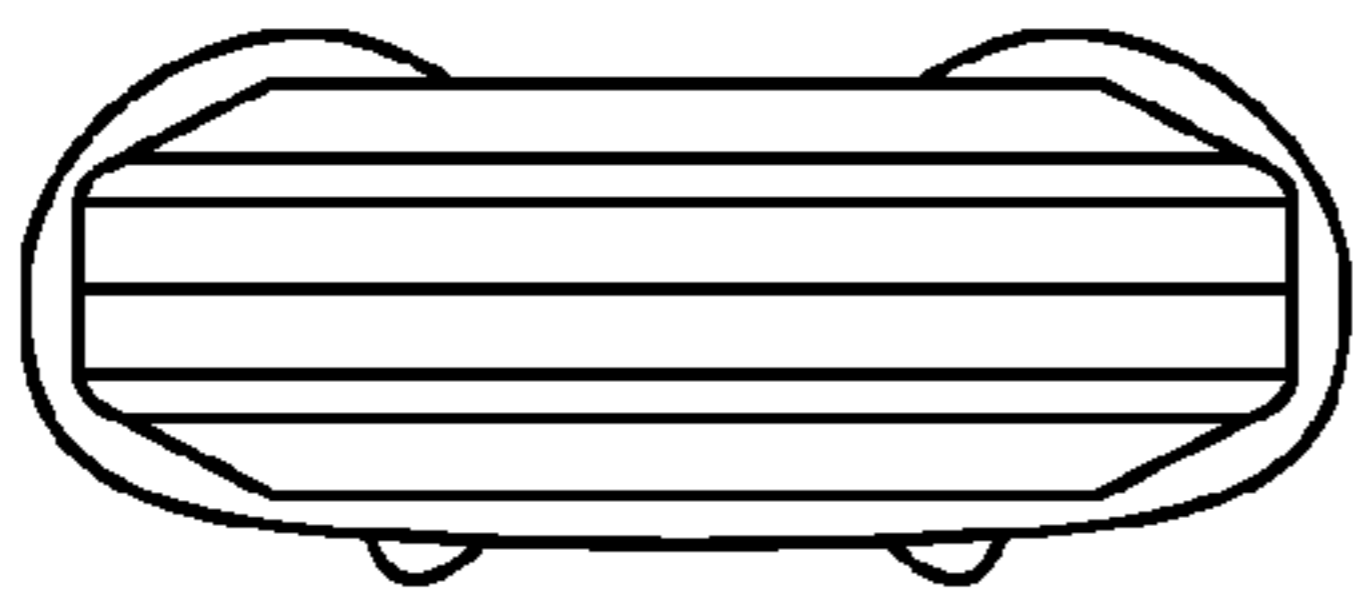


FIG. 3

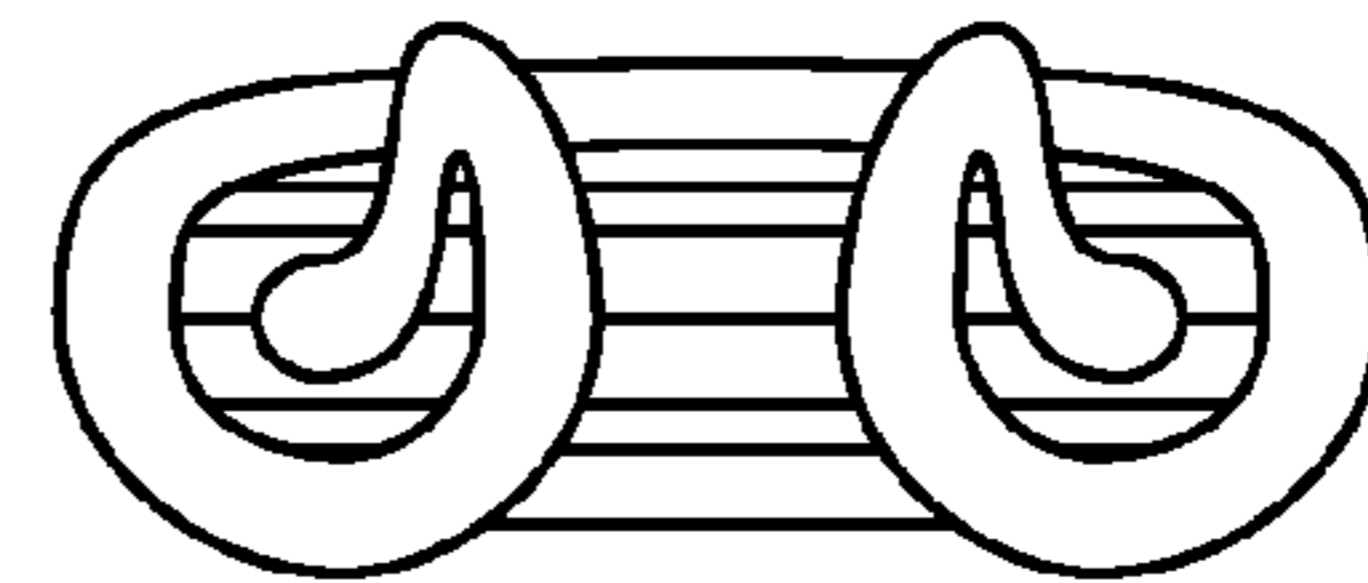


FIG. 4

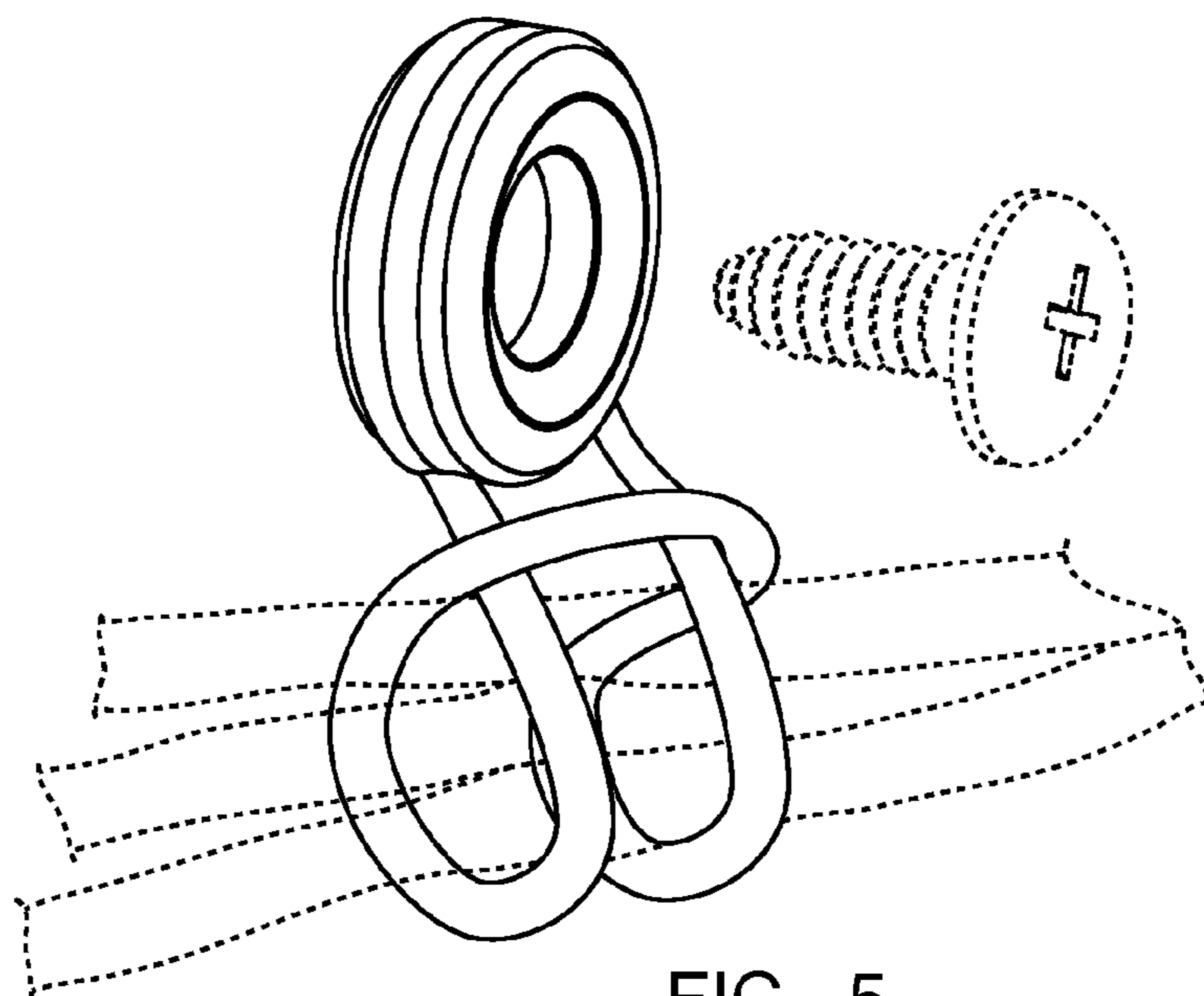


FIG. 5