



US00D642895S

(12) **United States Design Patent**
Kelleghan

(10) **Patent No.:** **US D642,895 S**

(45) **Date of Patent:** **** *Aug. 9, 2011**

- (54) **CARABINER WITH MALE SIDE SQUEEZE BUCKLE**
- (75) Inventor: **Brian James Kelleghan**, Longmont, CO (US)
- (73) Assignee: **Bison Designs, LLC**, Longmont, CO (US)

1,764,813 A 6/1930 Thornley
 2,666,244 A 1/1954 Carmichael
 2,892,230 A * 6/1959 Lopez 294/82.11
 3,102,317 A 9/1963 Cadley
 D273,273 S 4/1984 Faidide
 D281,483 S 11/1985 Faidide
 4,577,374 A * 3/1986 Lii 24/165
 D285,989 S 10/1986 MacDonald
 4,622,724 A 11/1986 Dupre

(Continued)

(*) Notice: This patent is subject to a terminal disclaimer.

(**) Term: **14 Years**

(21) Appl. No.: **29/354,843**

(22) Filed: **Jan. 29, 2010**

Related U.S. Application Data

(63) Continuation of application No. 29/340,492, filed on Jul. 20, 2009, now Pat. No. Des. 609,078.

(51) **LOC (9) Cl.** **08-05**

(52) **U.S. Cl.** **D8/356**

(58) **Field of Classification Search** D8/105,
 D8/107, 333, 349, 356, 358, 360, 360.1, 367,
 D8/372, 373, 382, 383, 394-396, 400; D13/133,
 D13/139.4, 153, 155; 24/18, 20 W, 23 W,
 24/115 R, 129 C, 130, 131 R, 197, 561; 52/220.7;
 174/135, 153 G, 650, 656; 211/86.01, 87.01,
 211/94.01; 242/400.1, 405.1, 405.2, 600,
 242/603; 248/65, 74.1-74.4, 201, 214, 215,
 248/229.26; 114/114

See application file for complete search history.

(56) **References Cited**

U.S. PATENT DOCUMENTS

48,275 A 6/1865 Hamilton
 18,275 A 9/1865 Croasdale
 114,459 A 5/1871 Meyer
 760,171 A 5/1904 Atwell

FOREIGN PATENT DOCUMENTS

EP 1178227 A1 * 2/2002

(Continued)

OTHER PUBLICATIONS

U.S. Appl. No. 29/354,130, filed Jan. 20, 2010; First Named Inventor: Brian James Kelleghan.

(Continued)

Primary Examiner — Karen S Acker

(74) *Attorney, Agent, or Firm* — Margaret Polson; Oppedahl Patent Law Firm LLC

(57) **CLAIM**

The ornamental design for a carabiner with male side squeeze buckle, as shown and described.

DESCRIPTION

FIG. 1 is a top plan view of my new design for a carabiner with male side squeeze buckle.

FIG. 2 is a bottom plan view of FIG. 1.

FIG. 3 is a left side elevation view of FIG. 1.

FIG. 4 is a right side elevation view of FIG. 1.

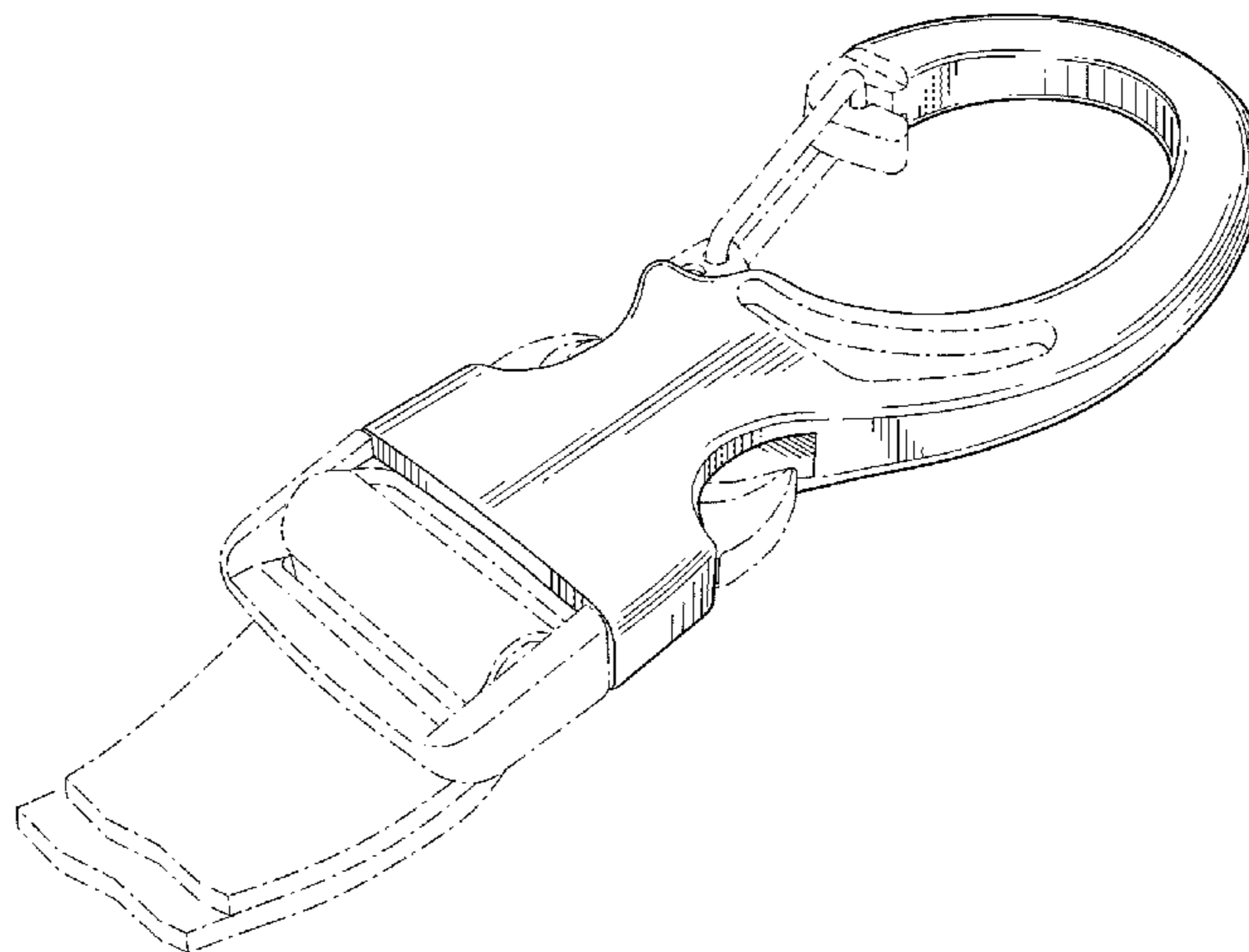
FIG. 5 is a front elevation view of FIG. 1.

FIG. 6 is rear elevation view of FIG. 1; and,

FIG. 7 is a top perspective view of FIG. 1.

The broken lines in the drawing represent unclaimed environmental subject matter.

1 Claim, 2 Drawing Sheets



US D642,895 S

Page 2

U.S. PATENT DOCUMENTS

4,835,823 A 6/1989 Contat
5,146,657 A 9/1992 Frano
D330,669 S 11/1992 Hui-Chuan
D345,688 S 4/1994 McLean et al.
5,329,675 A 7/1994 McLean et al.
5,384,943 A 1/1995 LeFebvre et al.
5,416,955 A 5/1995 Katsma
5,463,798 A 11/1995 Wurzer
D375,252 S 11/1996 Serra Fabregas
5,685,185 A 11/1997 MacDonald
D391,840 S 3/1998 Striebel
D402,189 S 12/1998 Izumi
5,937,490 A 8/1999 Mihailovic
D433,310 S 11/2000 Luquire
D433,311 S 11/2000 Luquire
D433,929 S 11/2000 Petzl
D435,785 S * 1/2001 Striebel D8/367
D444,100 S 6/2001 Kelleghan
D444,685 S 7/2001 Shenkel et al.
D448,655 S * 10/2001 Lai D8/367
D448,986 S * 10/2001 Cook et al. D8/367
6,363,244 B1 3/2002 McGhee
D461,312 S 8/2002 Proot et al.
D462,891 S 9/2002 Kelleghan
D467,156 S 12/2002 Bishop
D468,997 S 1/2003 Chang
D474,095 S 5/2003 Luquire
D480,492 S 10/2003 Wu
D480,841 S 10/2003 Bird
D484,770 S * 1/2004 Green D8/99
D496,251 S 9/2004 Buscart
D500,244 S * 12/2004 Yoshiguchi D8/367
D504,306 S 4/2005 Chisolm
D515,903 S 2/2006 Kelleghan
D519,010 S 4/2006 Oas
D520,345 S 5/2006 Kelleghan

D527,988 S 9/2006 Shetler
D528,238 S 9/2006 Kramer
D539,122 S 3/2007 Tsai
D543,440 S 5/2007 Plzak
D553,480 S 10/2007 Kelleghan
D563,782 S * 3/2008 Benson et al. D9/436
D564,341 S 3/2008 Kelleghan
D573,493 S 7/2008 Tsai
D574,692 S 8/2008 Cooper
D577,283 S 9/2008 Nishida et al.
7,428,769 B2 * 9/2008 Fontaine et al. 24/130
D579,059 S 10/2008 Chan
D579,763 S * 11/2008 Uehara et al. D8/367
D594,315 S 6/2009 Szymanski et al.
D600,534 S 9/2009 Tokumoto
2003/0106190 A1 6/2003 Christianson
2005/0172461 A1 8/2005 Hall
2007/0050956 A1 3/2007 Hu
2007/0209165 A1 9/2007 Sorensen et al.
2008/0016659 A1 1/2008 Peterson
2008/0185409 A1 8/2008 Kellenberger
2008/0302311 A1 12/2008 Blocker
2009/0000086 A1 1/2009 Bing
2009/0178250 A1 7/2009 Brown et al.
2009/0276983 A1 11/2009 Chan

FOREIGN PATENT DOCUMENTS

EP 1384497 A1 * 1/2004

OTHER PUBLICATIONS

U.S. Appl. No. 61/297,155, filed Jan. 21, 2010; First Named Inventor:
Brian James Kelleghan.

U.S. Appl. No. 29/354,049, filed Jan. 19, 2010; First Named Inventor:
Brian James Kelleghan.

* cited by examiner

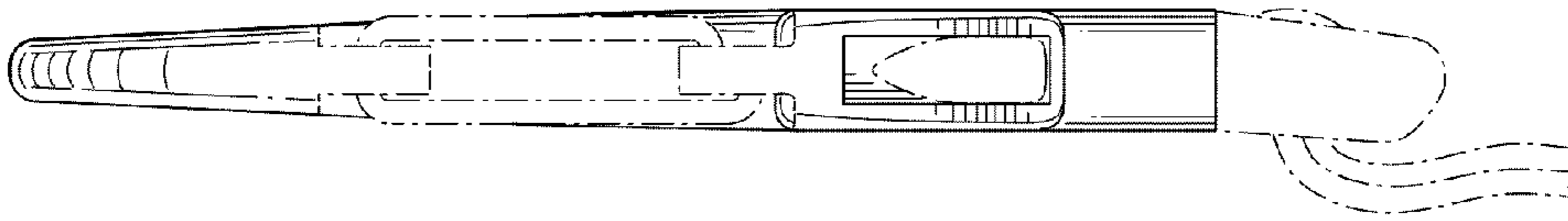


FIG.4

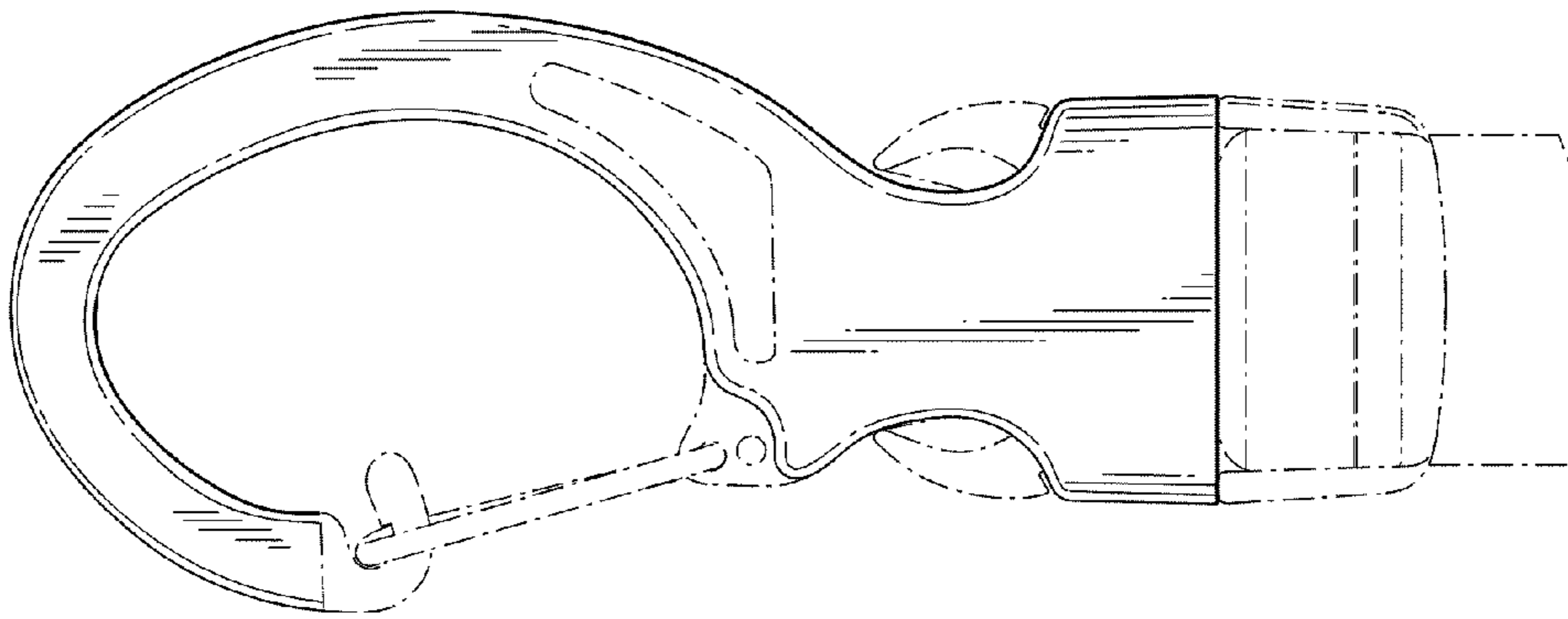


FIG.2

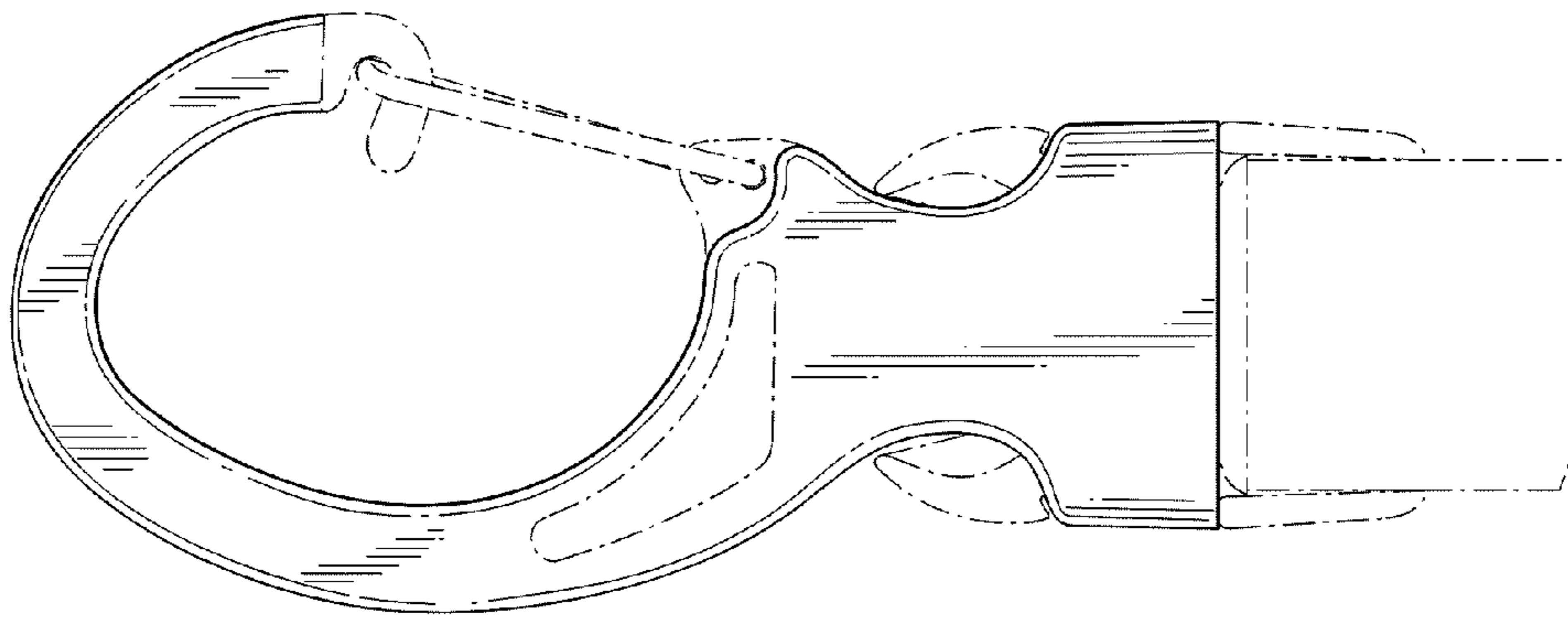


FIG.1

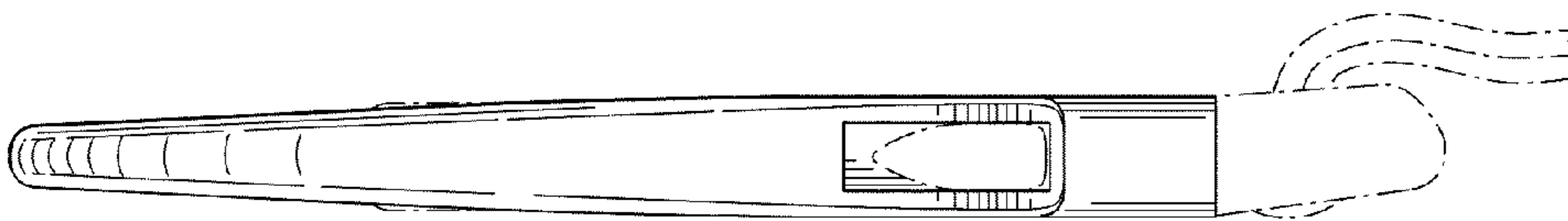


FIG.3

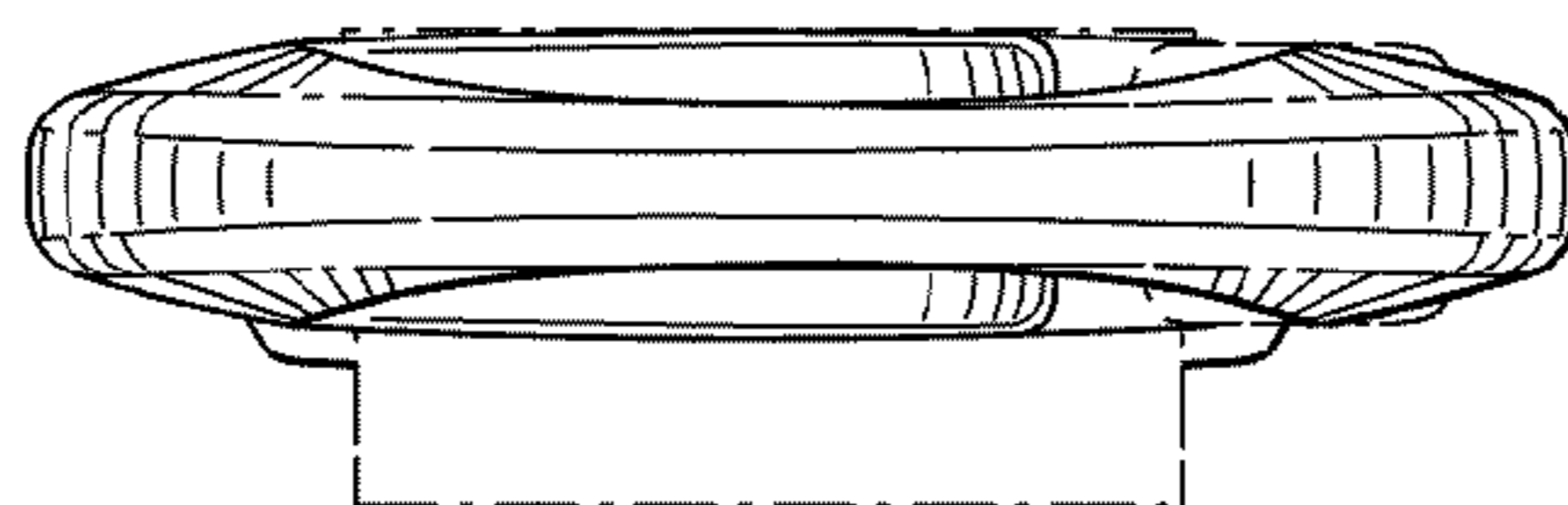


FIG. 5

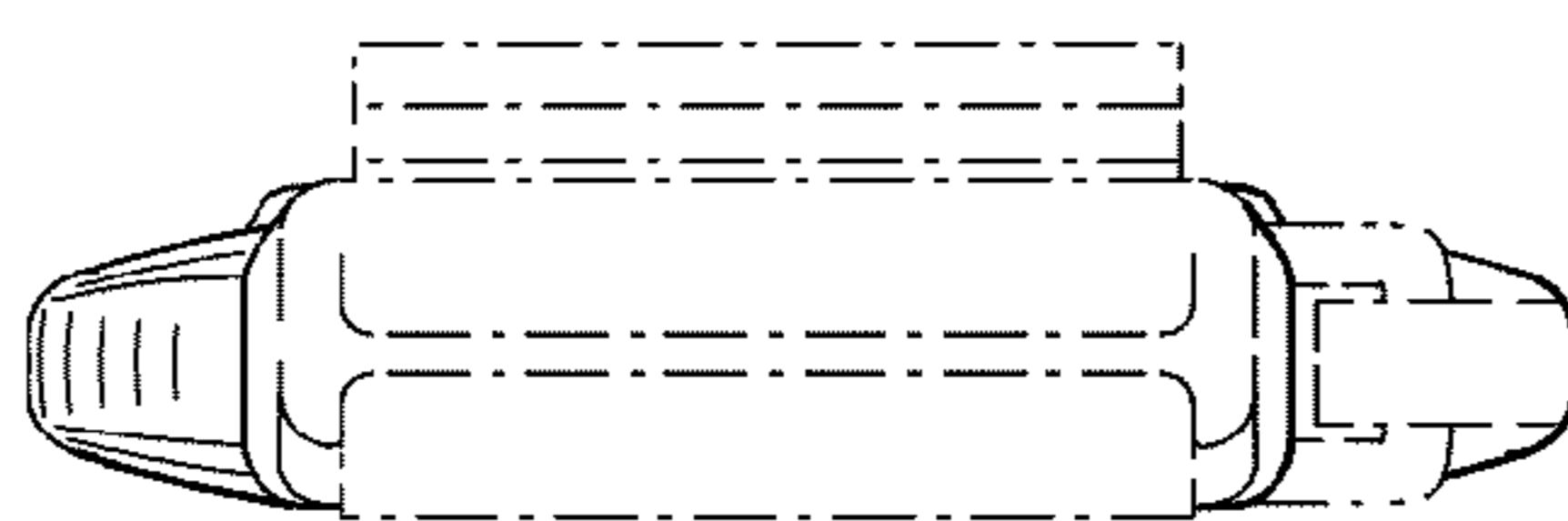


FIG. 6

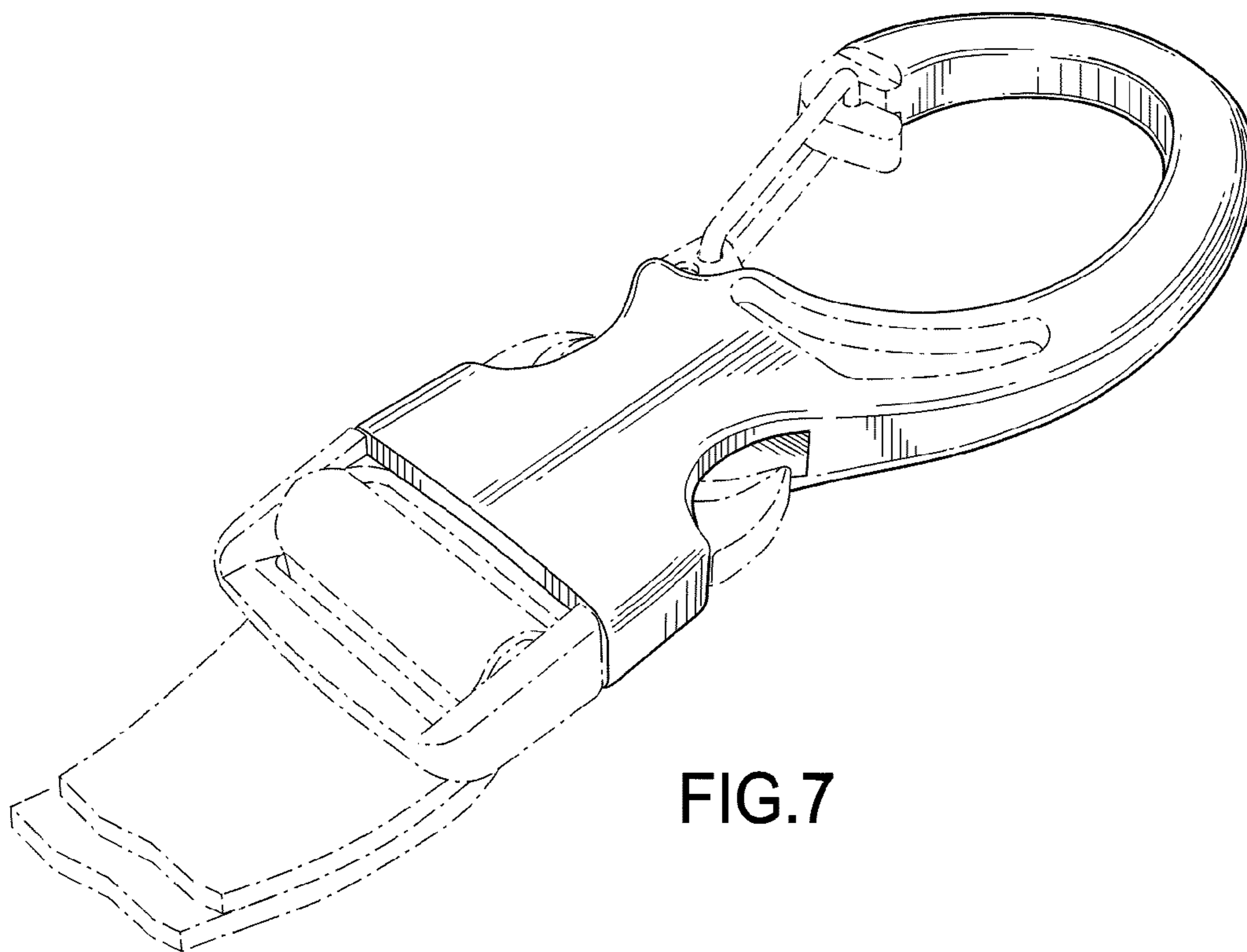


FIG. 7