



US00D642893S

(12) **United States Design Patent**
Yang

(10) **Patent No.:** **US D642,893 S**

(45) **Date of Patent:** **** Aug. 9, 2011**

(54) **COMBINATION LOCK**

(76) Inventor: **Yao Kun Yang**, Chang-Hua County
(TW)

(**) Term: **14 Years**

(21) Appl. No.: **29/382,003**

(22) Filed: **Dec. 28, 2010**

(51) **LOC (9) Cl.** **08-07**

(52) **U.S. Cl.** **D8/334**

(58) **Field of Classification Search** D8/330,
D8/331, 336-339, 334; 70/14, 20-22, 25,
70/26, 284, 285, DIG. 63, DIG. 71, 52, 57
See application file for complete search history.

(56) **References Cited**

U.S. PATENT DOCUMENTS

| | | | | | |
|-----------|-----|---------|-----------|-------|--------|
| 3,750,431 | A * | 8/1973 | Atkinson | | 70/21 |
| 4,444,029 | A * | 4/1984 | Remington | | 70/25 |
| D477,209 | S * | 7/2003 | Yu et al. | | D8/334 |
| D477,525 | S * | 7/2003 | Ling | | D8/330 |
| D483,647 | S * | 12/2003 | Lo | | D8/333 |
| D495,580 | S * | 9/2004 | Ho | | D8/334 |

| | | | | | |
|-----------|------|---------|---------------|-------|--------|
| D498,132 | S * | 11/2004 | Lai | | D8/334 |
| 6,877,345 | B1 * | 4/2005 | Misner et al. | | 70/25 |
| 6,880,370 | B2 * | 4/2005 | Yu | | 70/25 |
| D505,853 | S * | 6/2005 | Ling et al. | | D8/334 |
| D535,548 | S * | 1/2007 | Lin | | D8/334 |
| 7,251,967 | B2 * | 8/2007 | Yang | | 70/63 |

* cited by examiner

Primary Examiner — Prabhakar Deshmukh

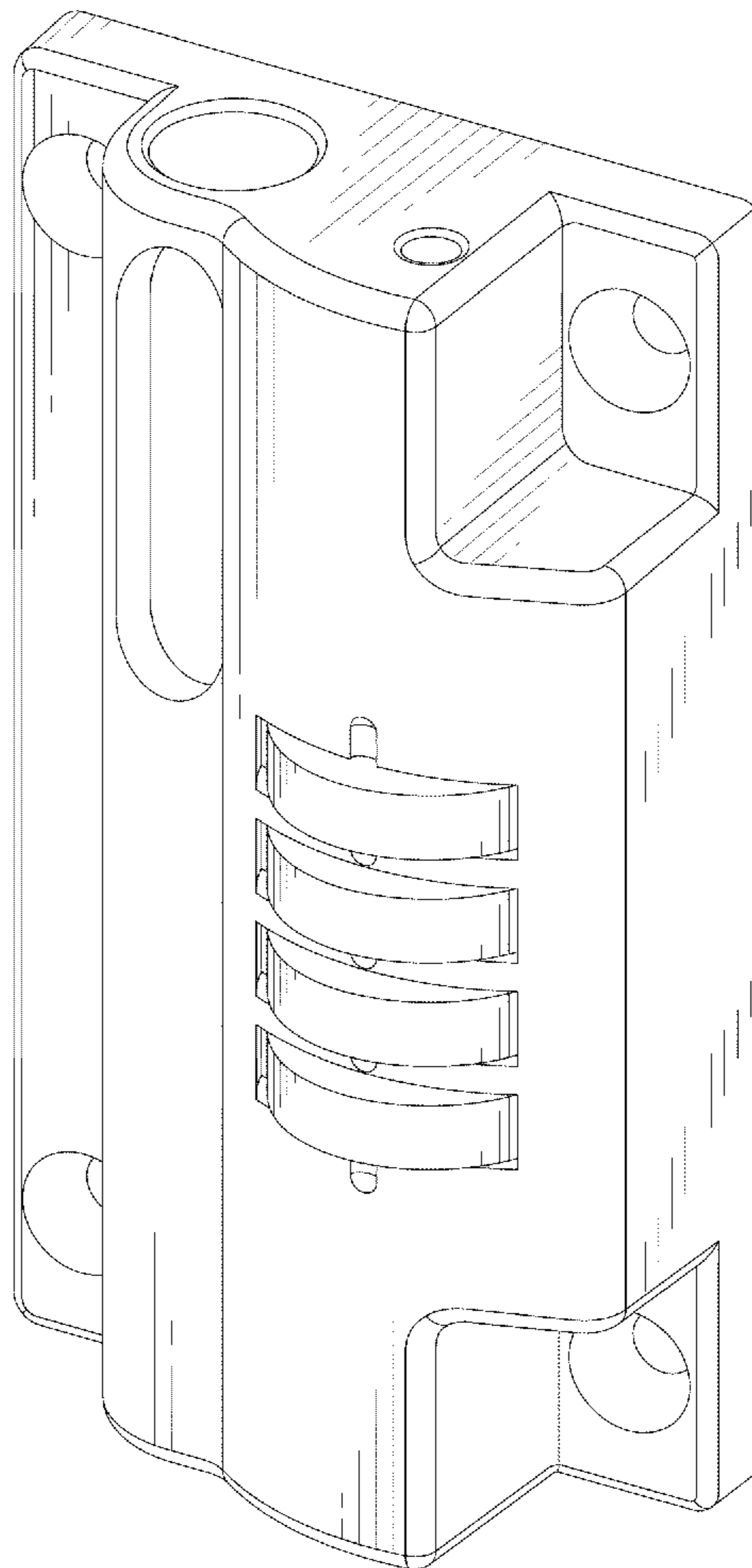
(57) **CLAIM**

The ornamental design for a combination lock, as shown and described.

DESCRIPTION

FIG. 1 is a perspective view of a combination lock showing my new design;
FIG. 2 is a front elevational view of FIG. 1;
FIG. 3 is a rear elevational view of FIG. 1;
FIG. 4 is a left side view of FIG. 1;
FIG. 5 is a right side view of FIG. 1;
FIG. 6 is a top plan view of FIG. 1; and,
FIG. 7 is a bottom plan view of FIG. 1.

1 Claim, 6 Drawing Sheets



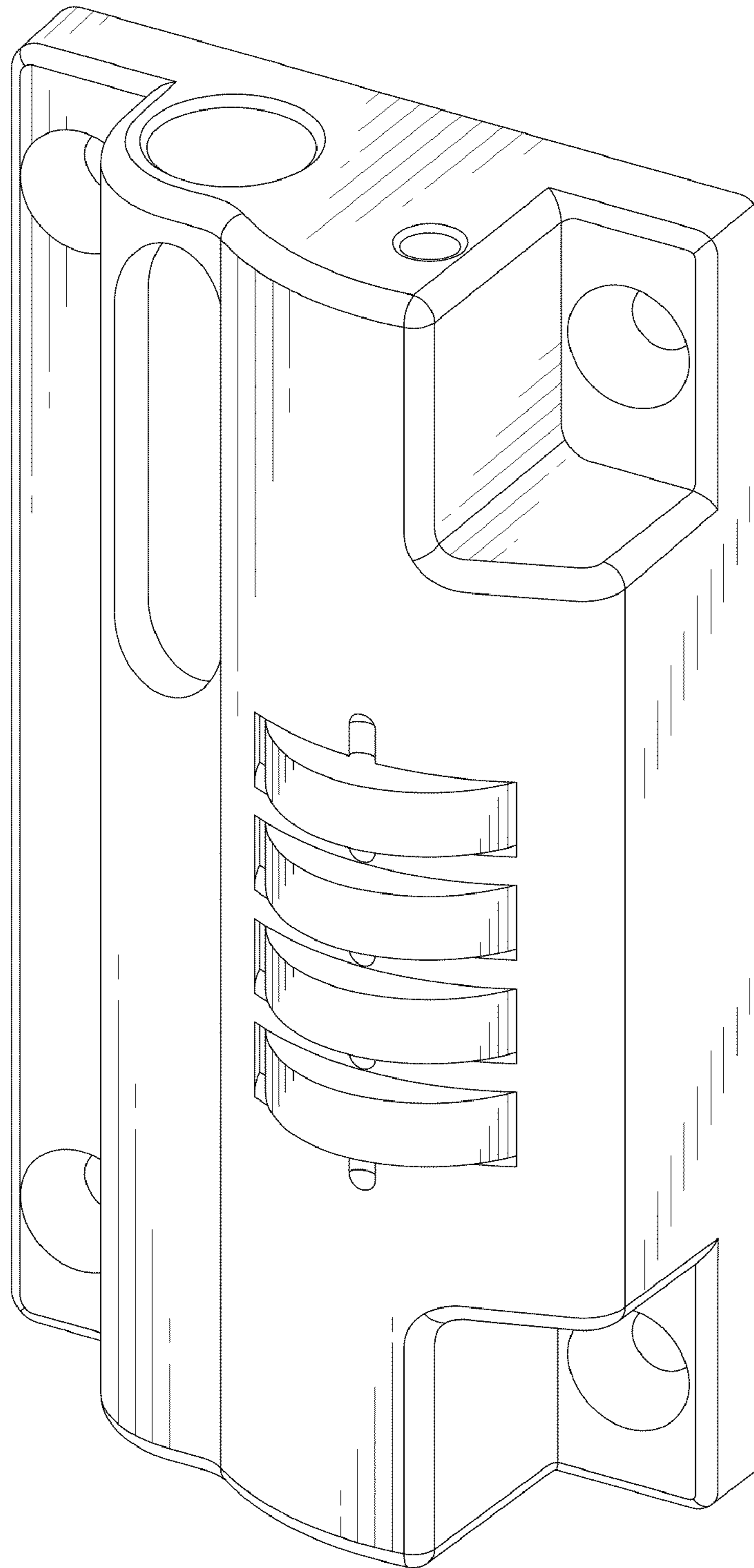


FIG. 1

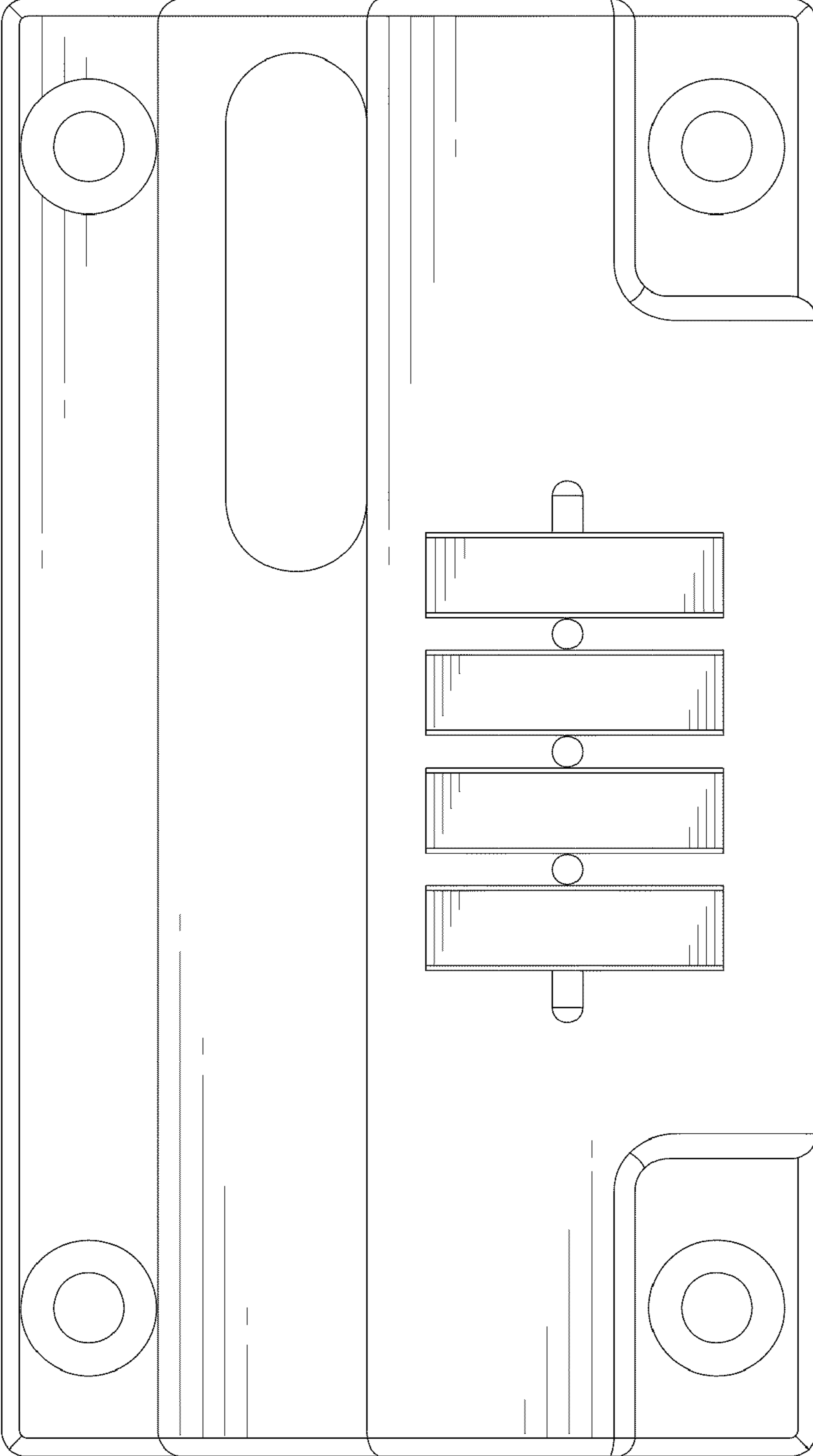


FIG. 2

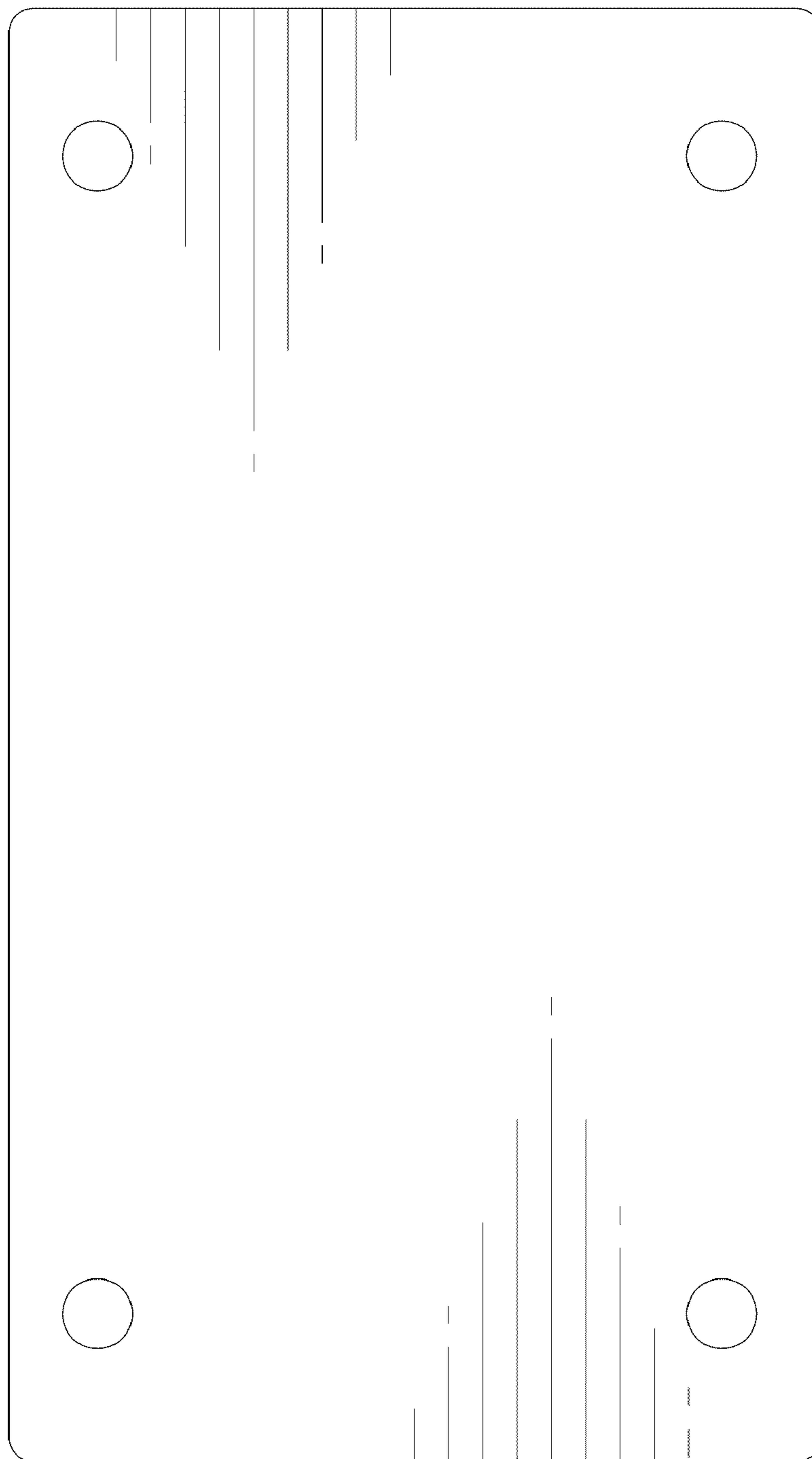


FIG. 3

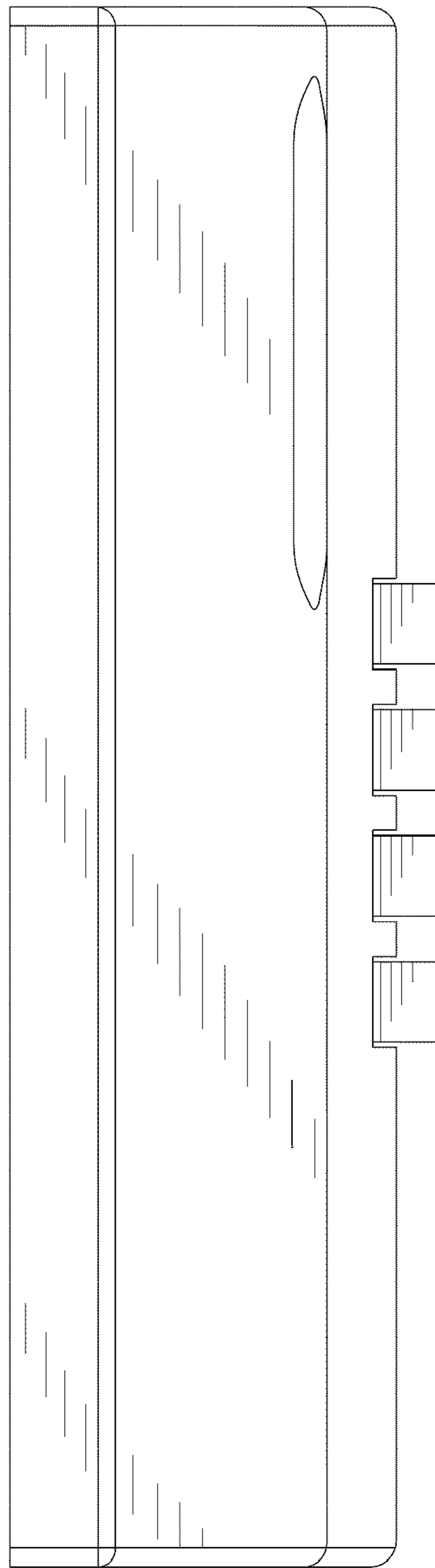


FIG. 4

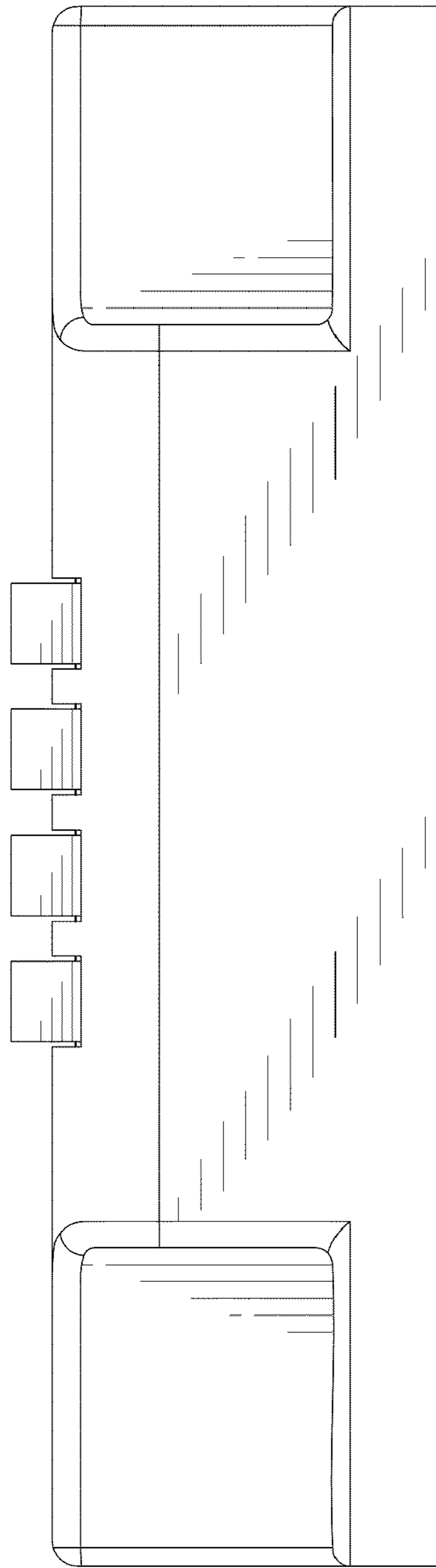


FIG. 5

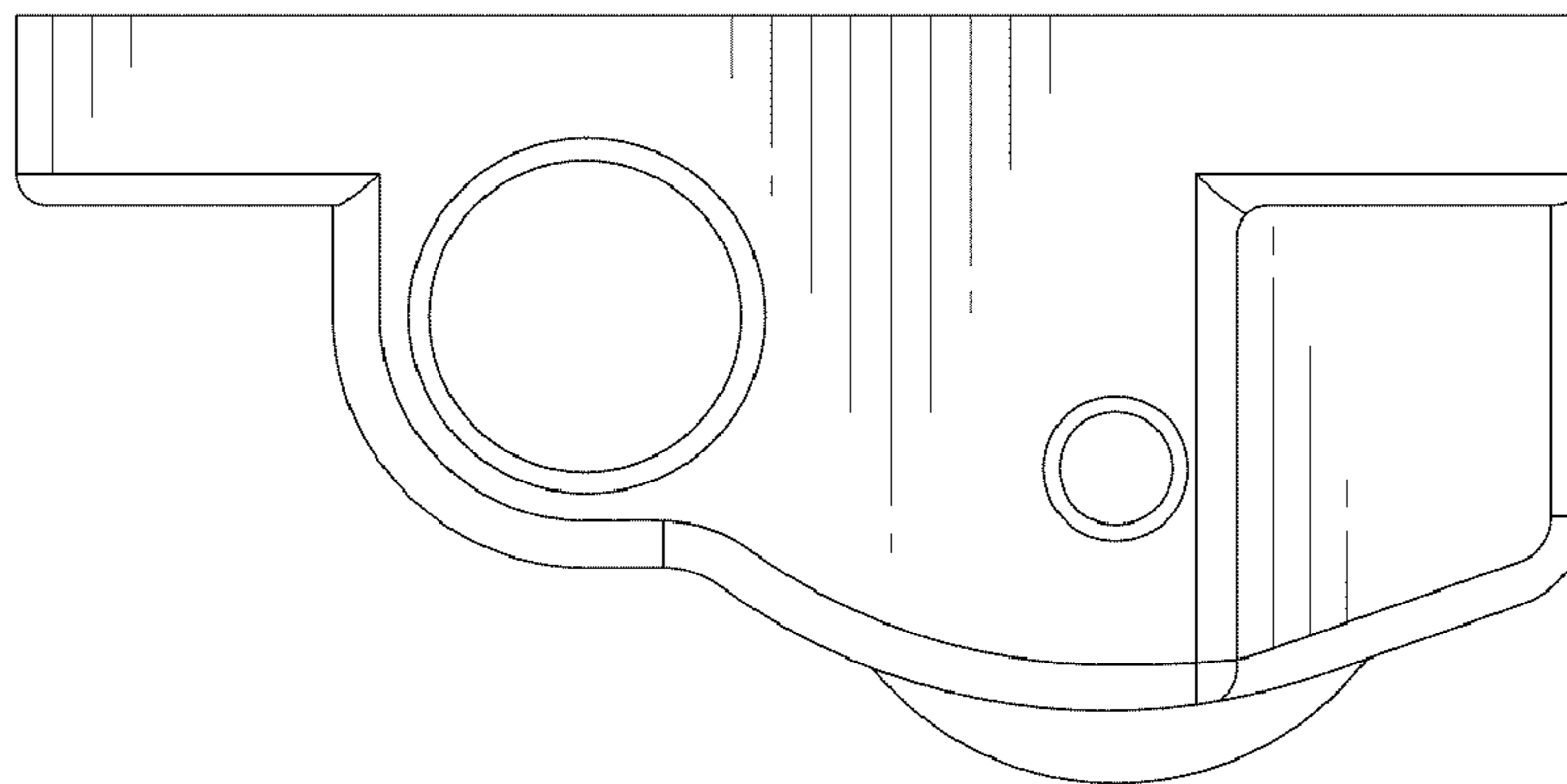


FIG. 6

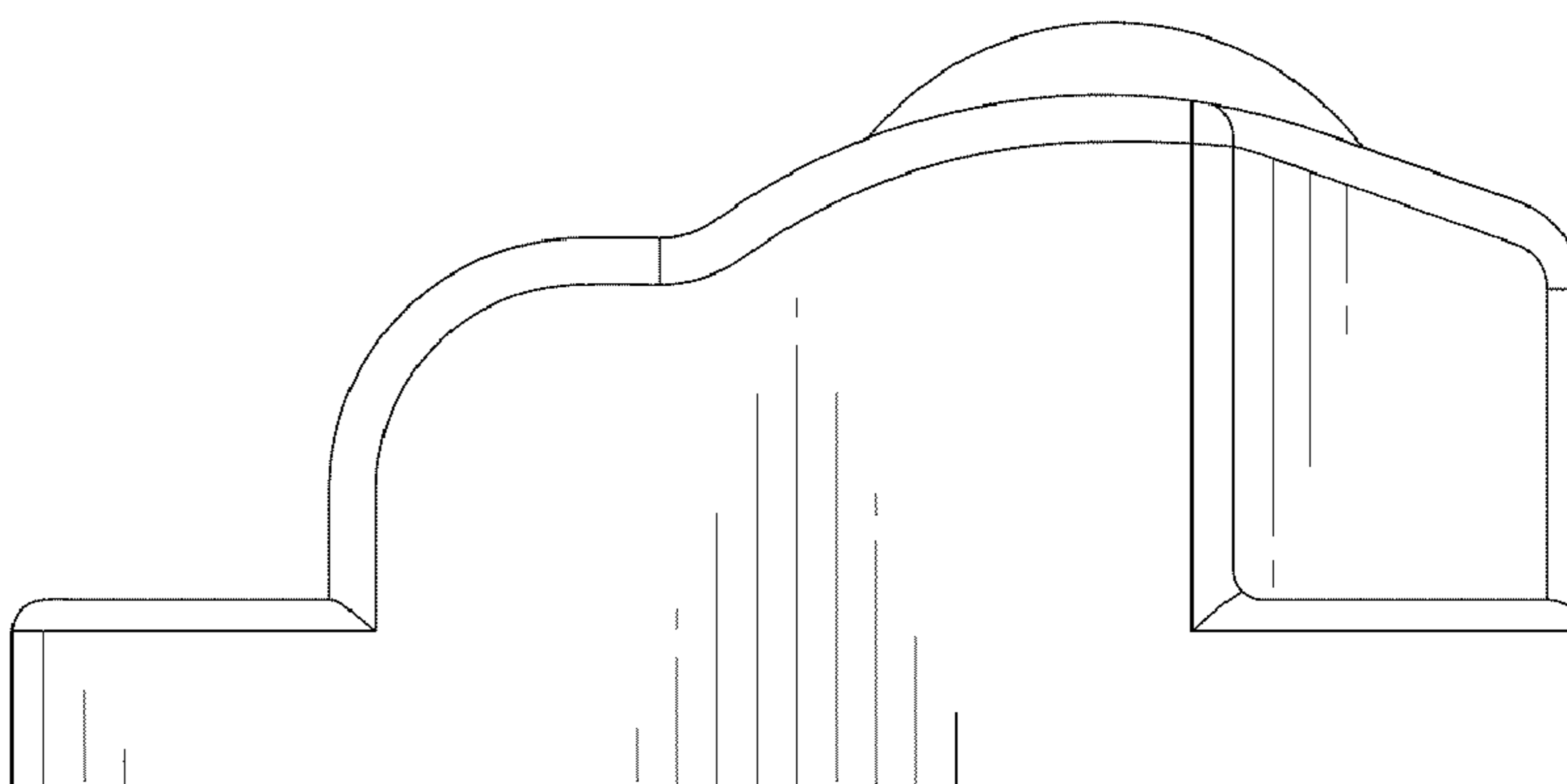


FIG. 7