



US00D642888S

(12) **United States Design Patent**
Port et al.

(10) **Patent No.:** **US D642,888 S**

(45) **Date of Patent:** **** Aug. 9, 2011**

(54) **FOLDING KNIFE**

(75) Inventors: **Douglas J. Port**, Huntington Beach, CA (US); **Timothy LaFrance**, Newport Beach, CA (US)

(73) Assignee: **SureFire, LLC**, Fountain Valley, CA (US)

(**) Term: **14 Years**

(21) Appl. No.: **29/341,201**

(22) Filed: **Jul. 31, 2009**

(51) **LOC (9) Cl.** **08-03**

(52) **U.S. Cl.** **D8/99**

(58) **Field of Classification Search** D7/649;
D8/95-99, 107; D22/118; 30/154-162,
30/329-331

See application file for complete search history.

(56) **References Cited**

U.S. PATENT DOCUMENTS

D323,967	S	*	2/1992	Talbot	D8/98
D366,408	S	*	1/1996	Sessions et al.	D8/99
D432,889	S	*	10/2000	Chu	D8/99
D508,390	S	*	8/2005	Trbovich, Jr.	D8/98
D523,317	S	*	6/2006	Ryan et al.	D8/99
D553,467	S	*	10/2007	Ryan	D8/99
D557,082	S	*	12/2007	Koelewyn	D7/649
D558,022	S	*	12/2007	McLean et al.	D8/99
D569,212	S	*	5/2008	Hawk et al.	D8/99
D587,552	S	*	3/2009	Collard et al.	D8/98
D595,557	S	*	7/2009	Hawk et al.	D8/99
7,555,839	B2	*	7/2009	Koelewyn	30/160
D613,574	S	*	4/2010	Pohl	D8/99

OTHER PUBLICATIONS

SureFire Crank™ Folding Utility Knife—EW-10. Downloaded Oct. 11, 2010 at <http://www.surefire.com/crank>.*

* cited by examiner

Primary Examiner — Phillip S Hyder
Assistant Examiner — Roselynn Cody

(74) *Attorney, Agent, or Firm* — Haynes and Boone, LLP

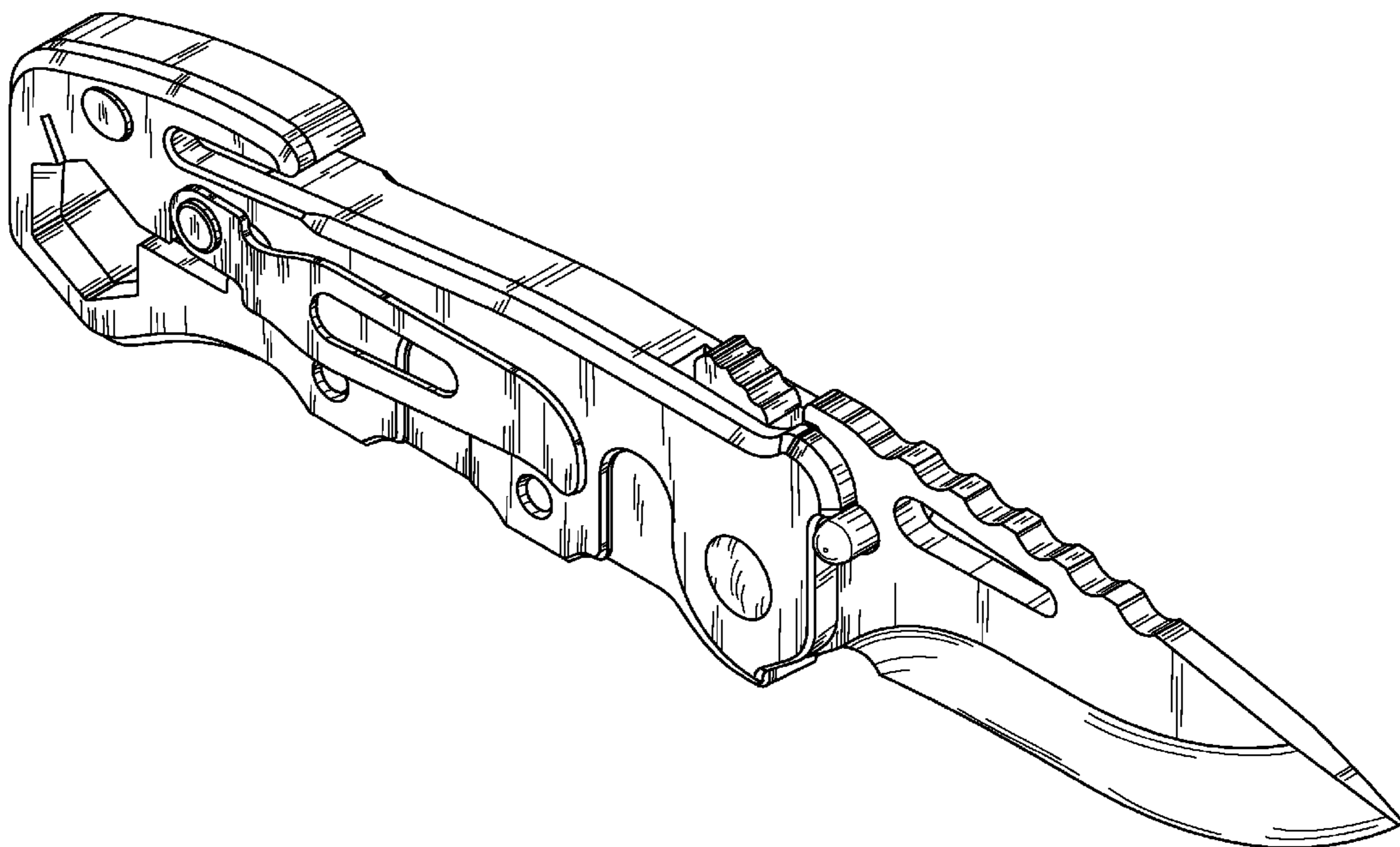
(57) **CLAIM**

The ornamental design for a folding knife, as shown and described.

DESCRIPTION

FIG. 1 is a front perspective view of a folding knife showing our new design, illustrated in an open position; FIG. 2 is a rear perspective view thereof; FIG. 3 is a top plan view thereof; FIG. 4 is a bottom plan view thereof; FIG. 5 is a left side elevational view thereof; FIG. 6 is a right side elevational view thereof; FIG. 7 is a front side elevational view thereof; and FIG. 8 is a rear side elevational view thereof. FIG. 9 is a front perspective view of the folding knife, illustrated in a closed position; FIG. 10 is a rear perspective view thereof; FIG. 11 is a top plan view thereof; FIG. 12 is a bottom plan view thereof; FIG. 13 is a left side elevational view thereof; FIG. 14 is a right side elevational view thereof; FIG. 15 is a front side elevational view thereof; and, FIG. 16 is a rear side elevational view thereof.

1 Claim, 12 Drawing Sheets



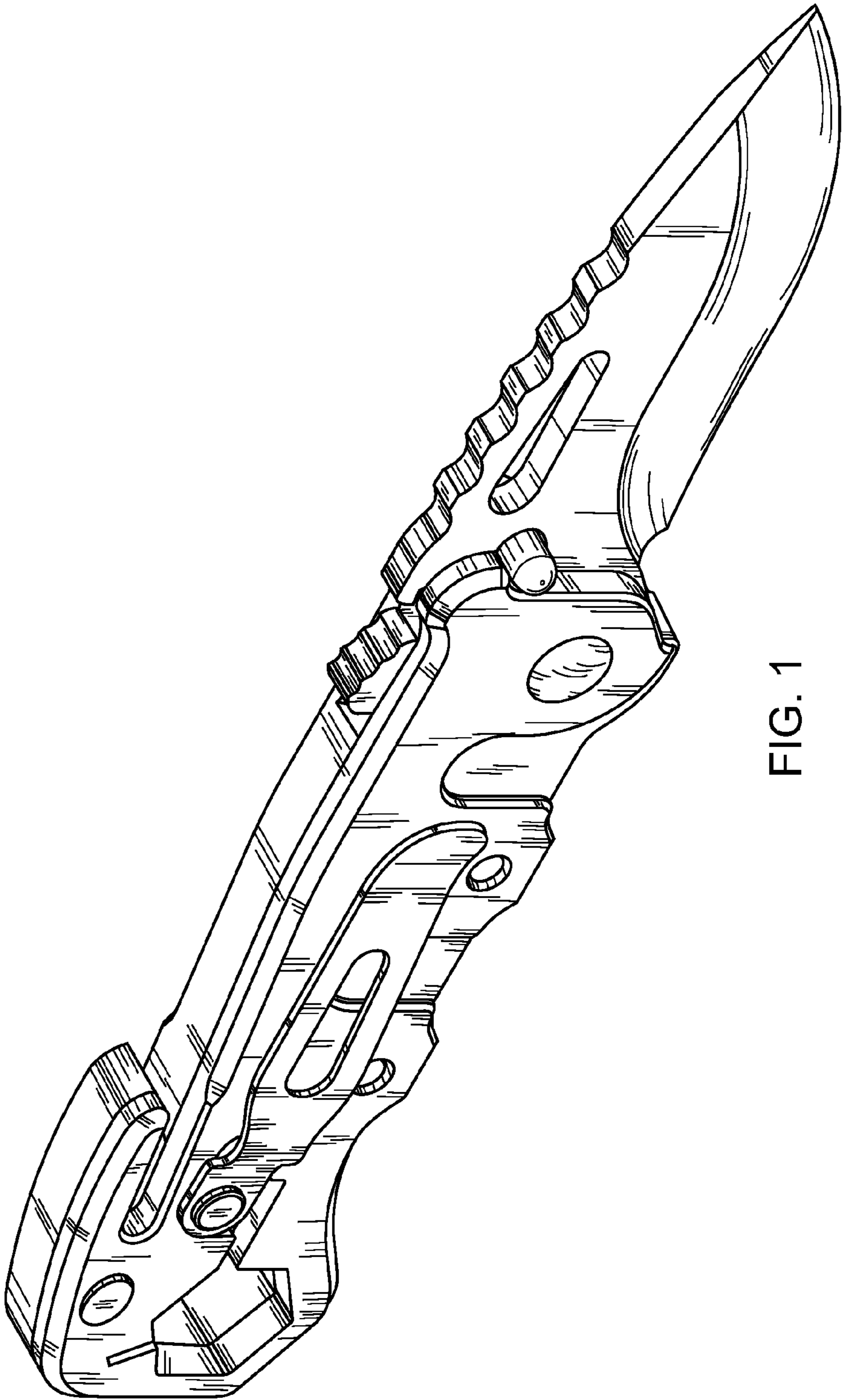


FIG. 1

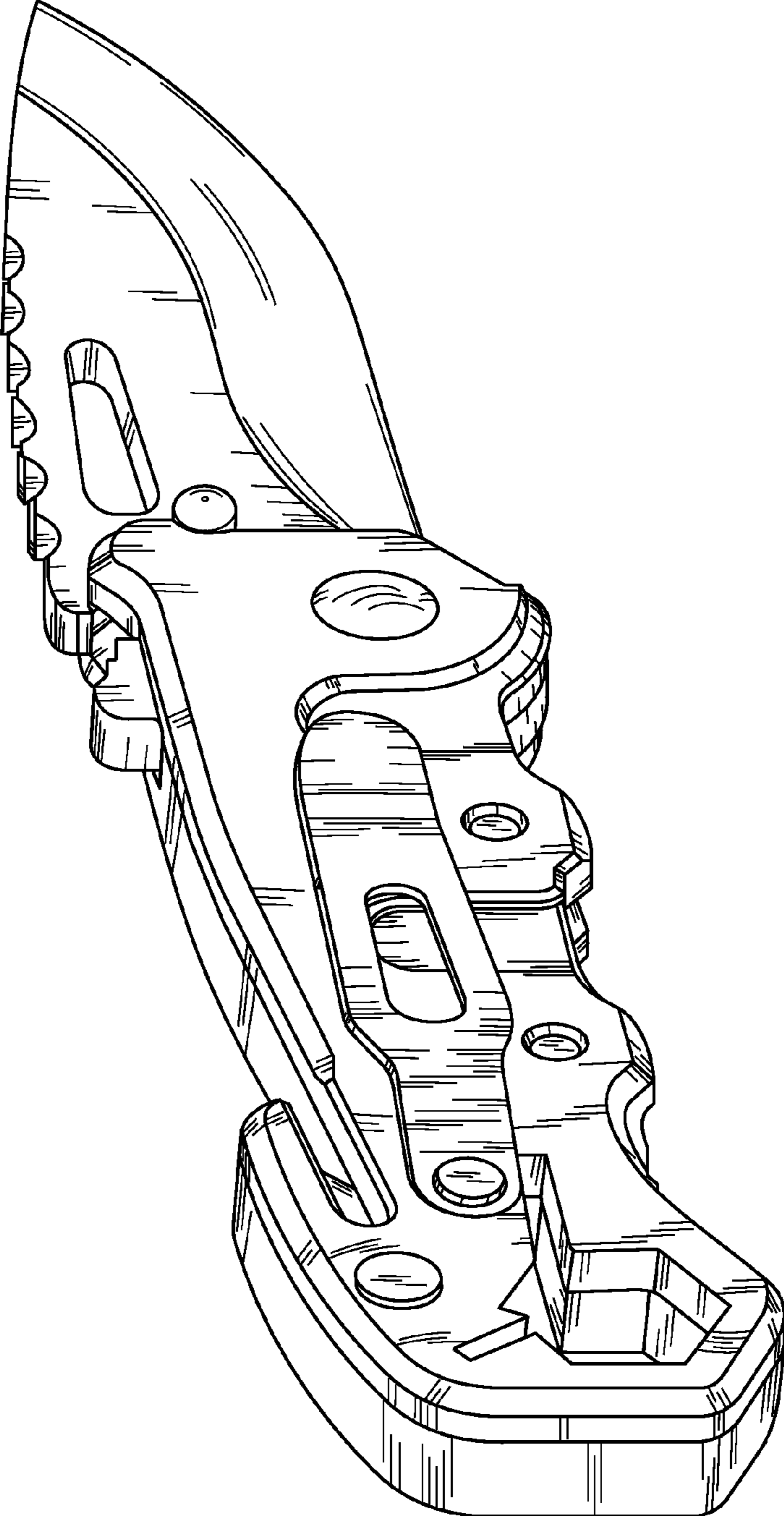


FIG. 2

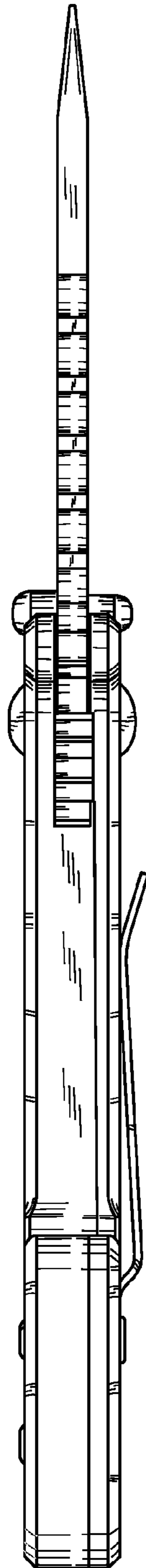


FIG. 3

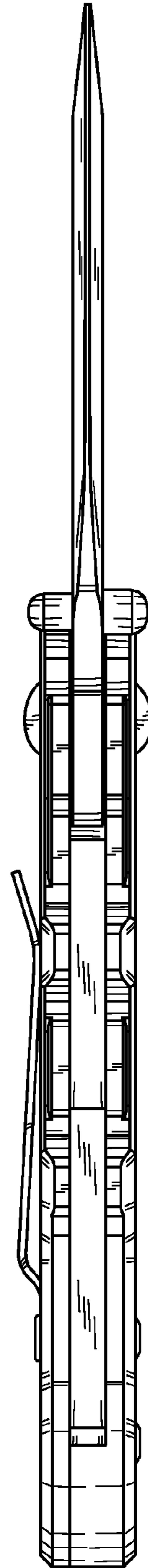


FIG. 4

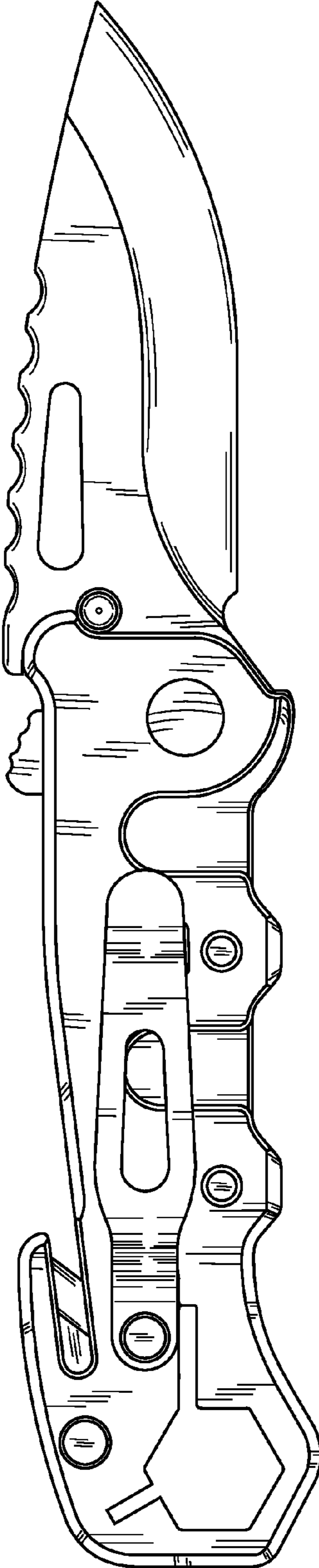


FIG. 5

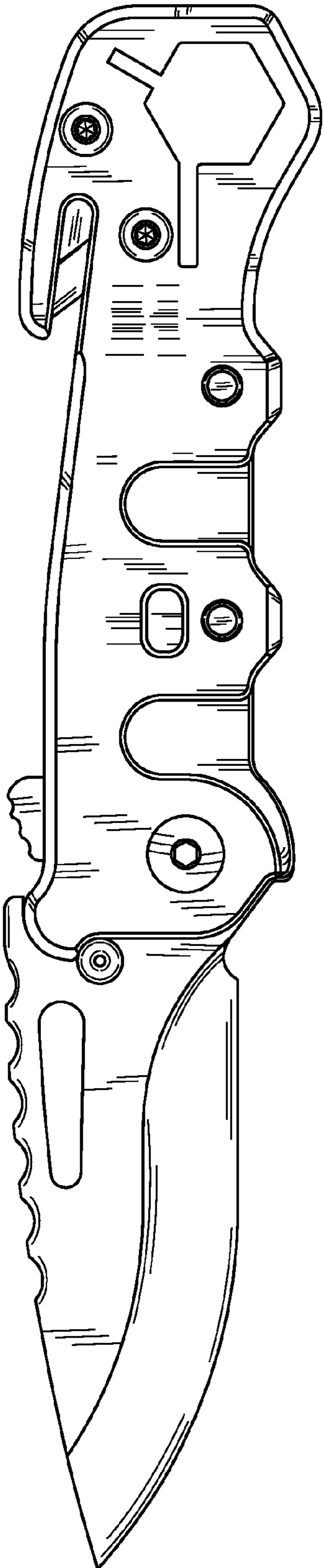


FIG. 6

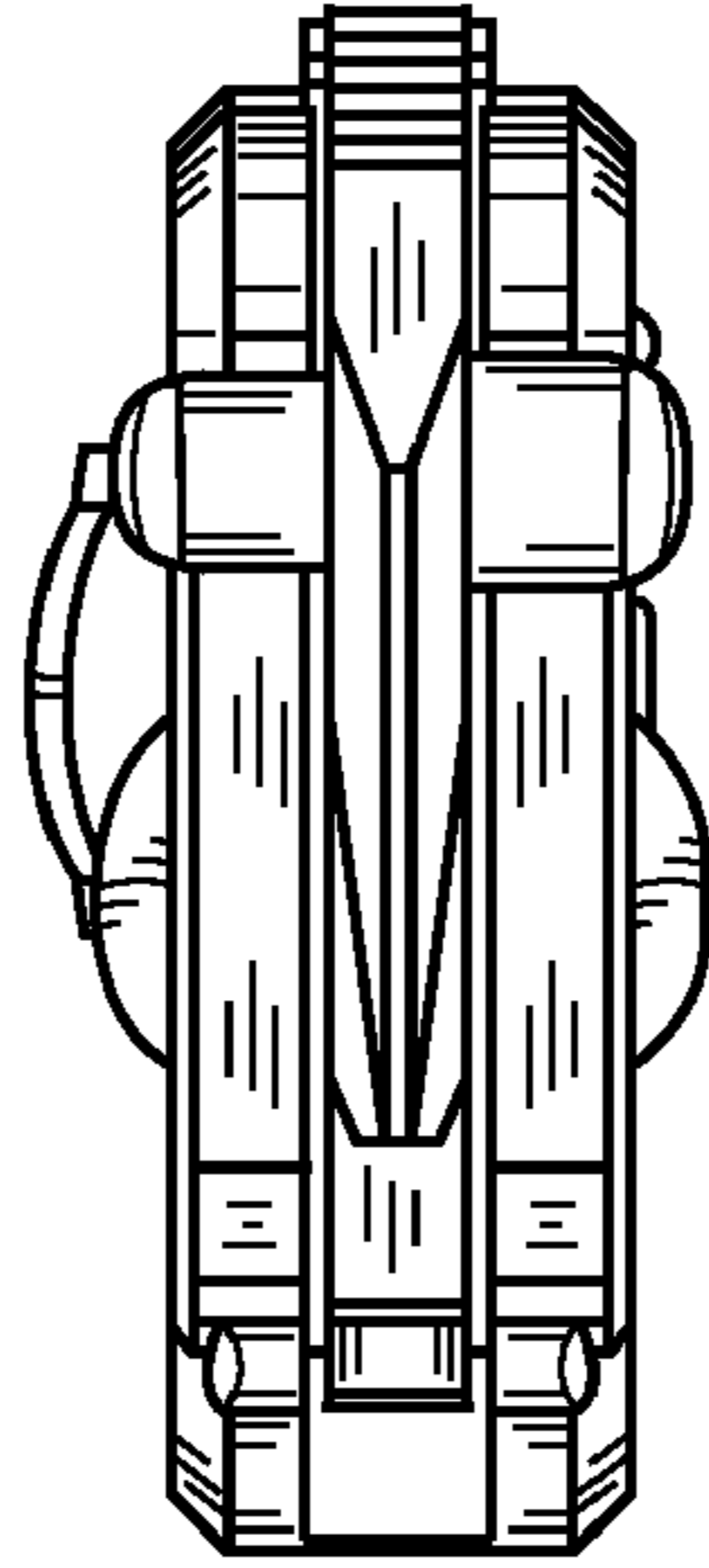


FIG. 7

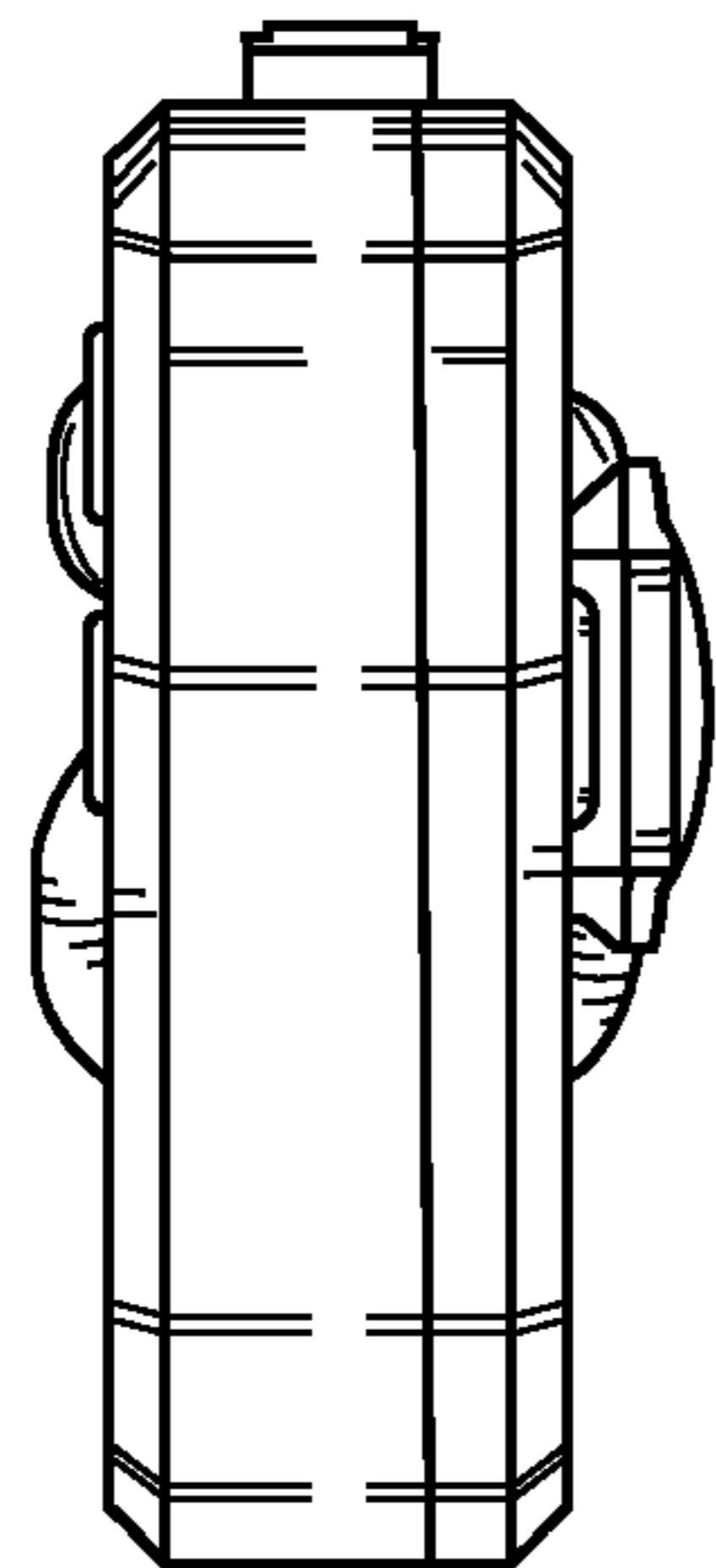


FIG. 8

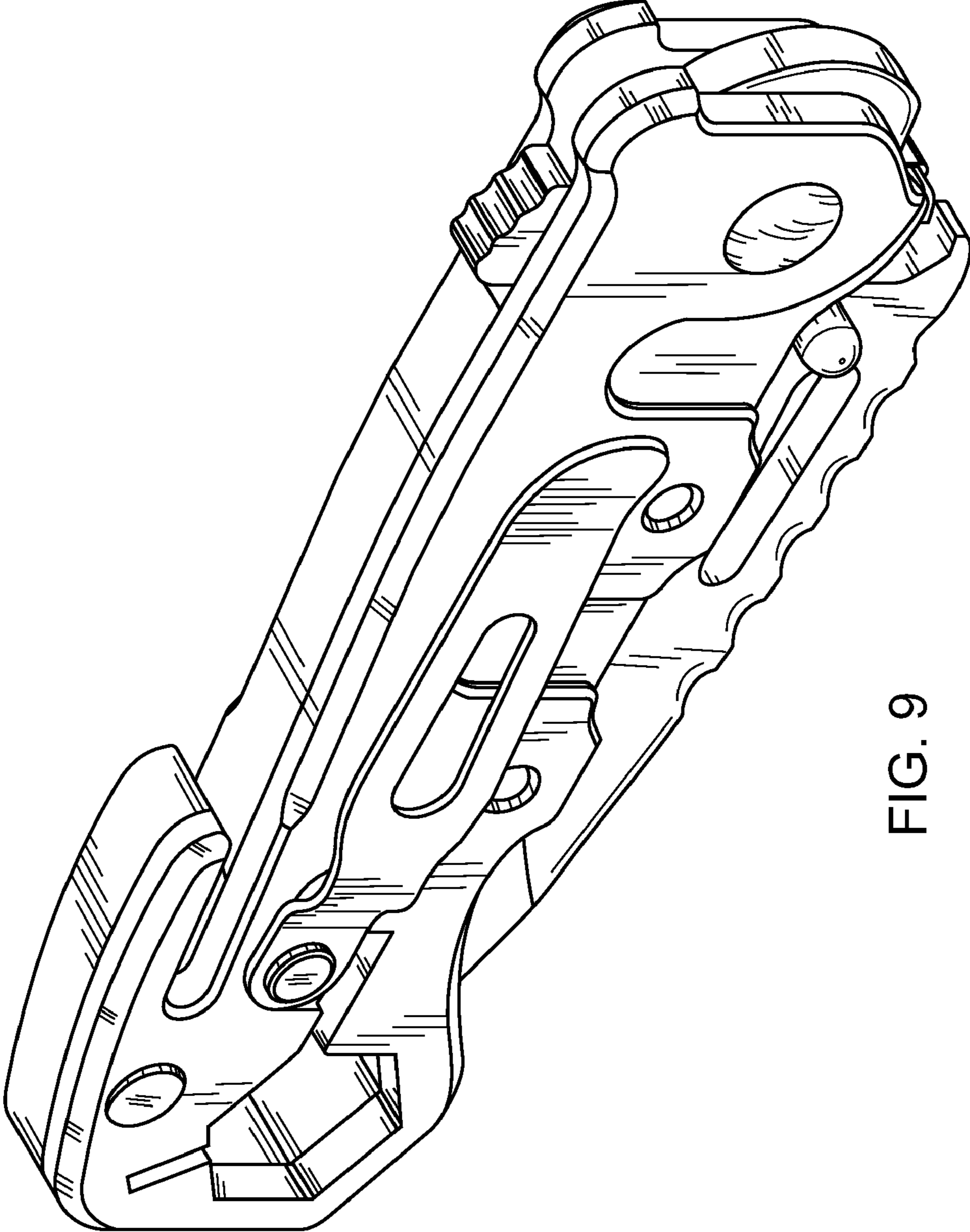


FIG. 9

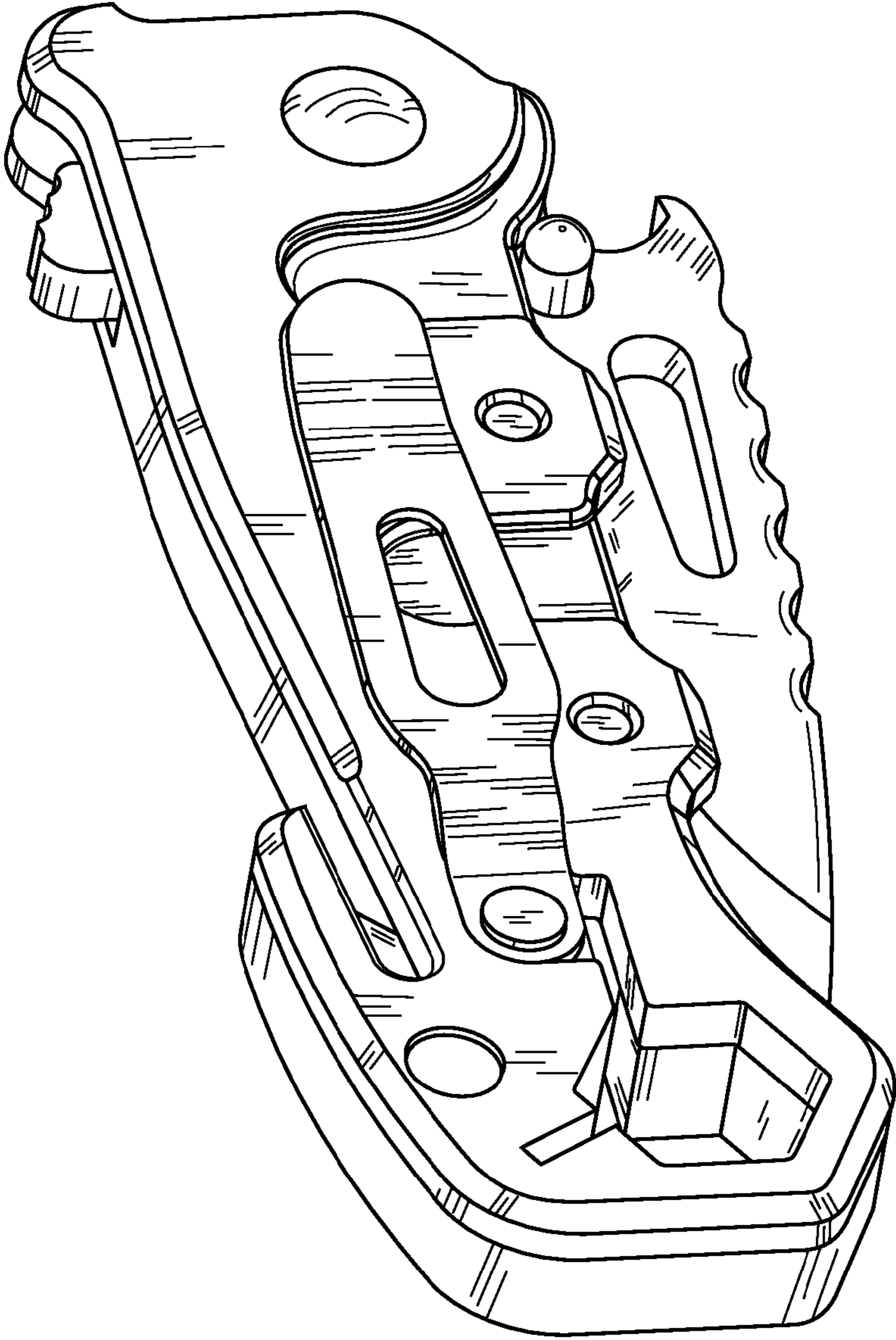


FIG. 10

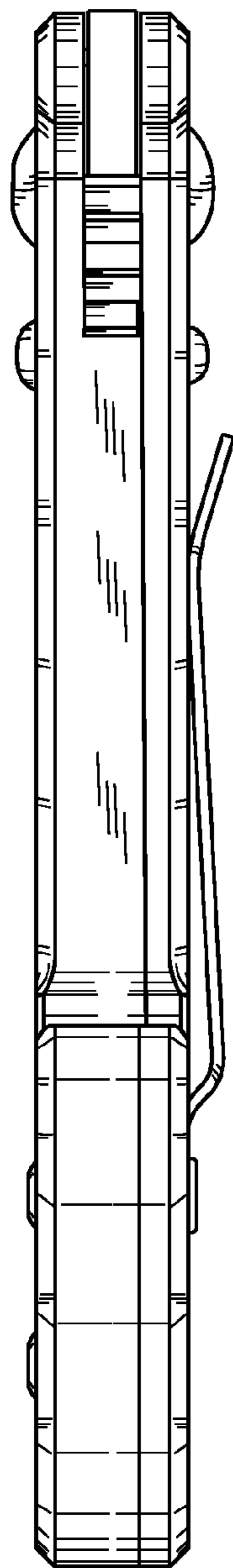


FIG. 11

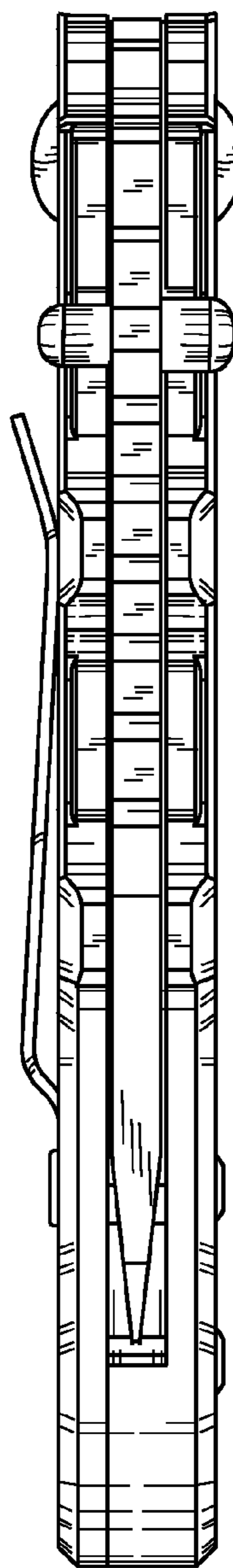


FIG. 12

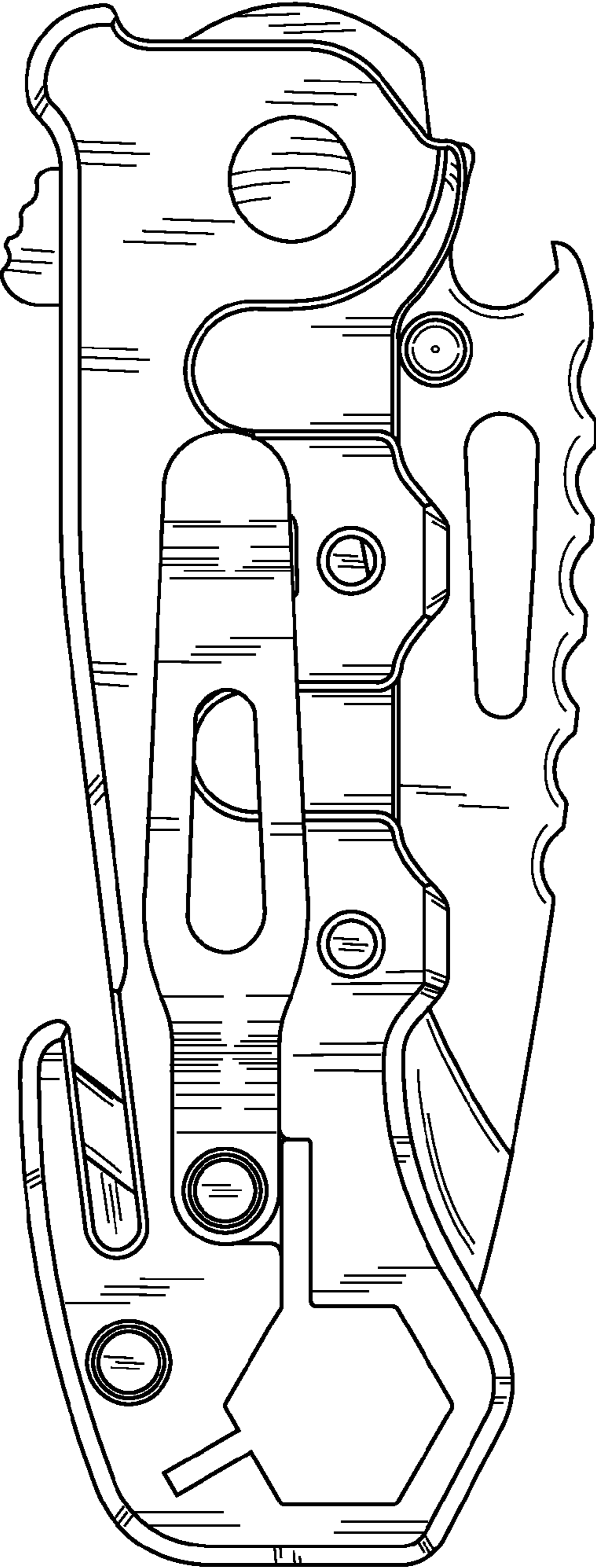


FIG. 13

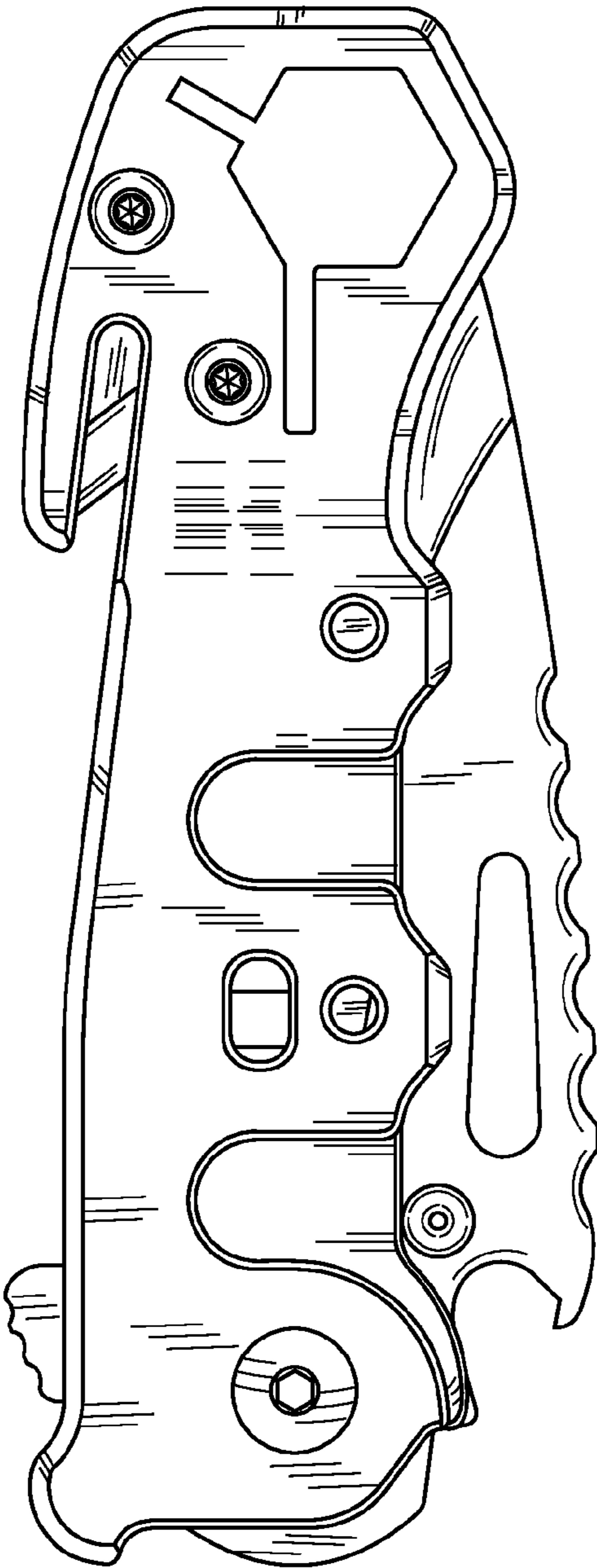


FIG. 14

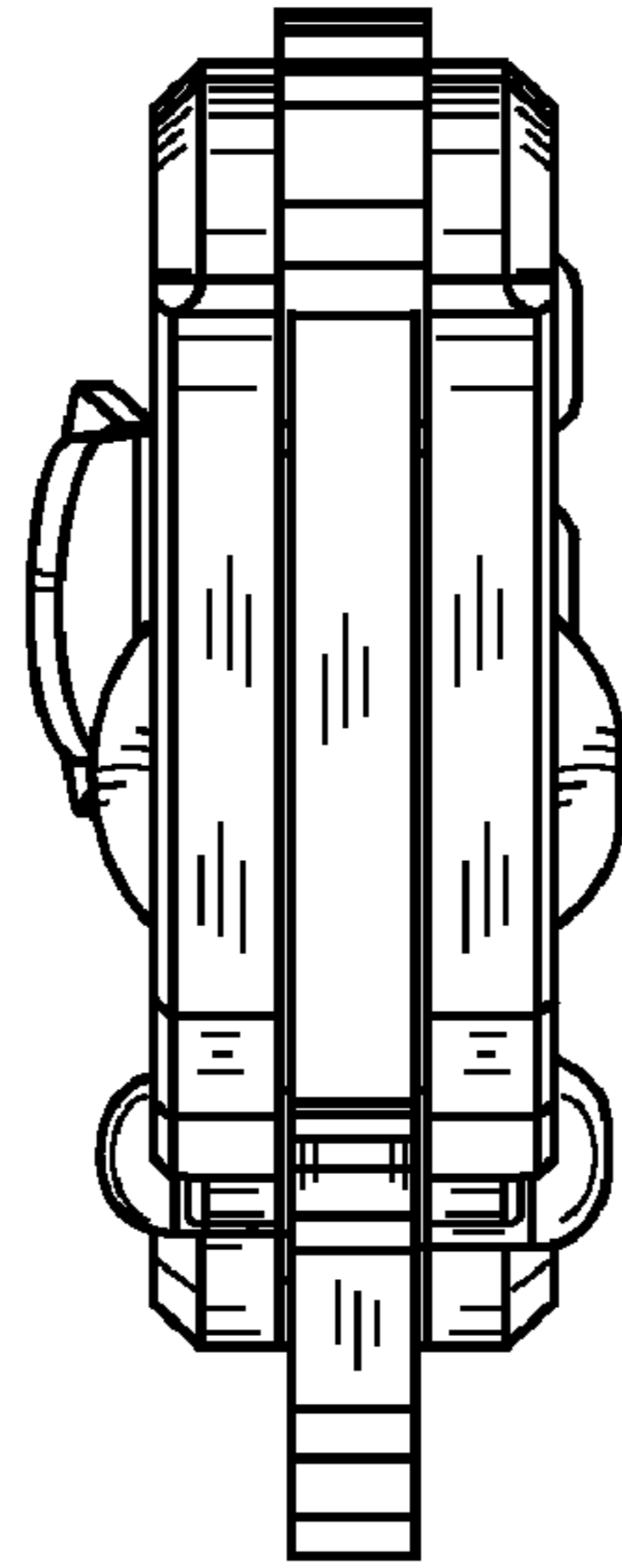


FIG. 15

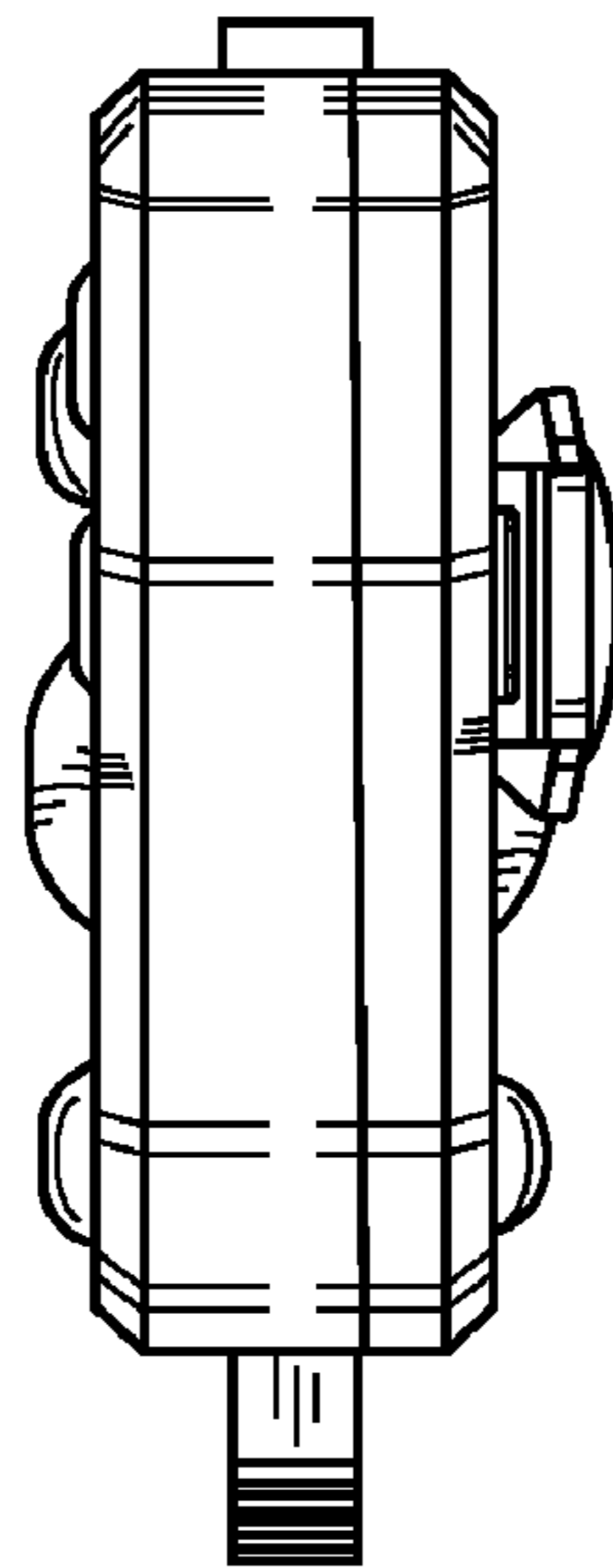


FIG. 16