



US00D642887S

(12) **United States Design Patent**
Good

(10) **Patent No.:** **US D642,887 S**

(45) **Date of Patent:** **** Aug. 9, 2011**

(54) **TOOL GRIP**

(75) Inventor: **Mark Good**, Cary, IL (US)

(73) Assignee: **Sears Brands, L.L.C.**, Hoffman Estates, IL (US)

(**) Term: **14 Years**

(21) Appl. No.: **29/366,593**

(22) Filed: **Jul. 27, 2010**

(51) **LOC (9) Cl.** **08-04**

(52) **U.S. Cl.** **D8/83**

(58) **Field of Classification Search** D8/47,
D8/82-85, 87, 107; 16/110.1, 421; 81/177.1,
81/177.2, 177.4, 436-440, 451-458, 489;
30/443

See application file for complete search history.

(56) **References Cited**

U.S. PATENT DOCUMENTS

D408,252 S *	4/1999	Holland-Letz	D8/83
D531,006 S *	10/2006	Tsai	D8/107
D607,708 S *	1/2010	Himbert et al.	D8/107
D617,170 S *	6/2010	Lai	D8/107

OTHER PUBLICATIONS

Evolv Craftsman Screwdriver Set. Downloaded Jan. 30, 2011 at http://www.sears.com/shc/s/p_10153_12605_00910067000P?prdNo=9&blockNo=159&blockType=G159.*

* cited by examiner

Primary Examiner — Philip S Hyder

Assistant Examiner — Roselynn Cody

(74) *Attorney, Agent, or Firm* — Greenberg Traurig, LLP

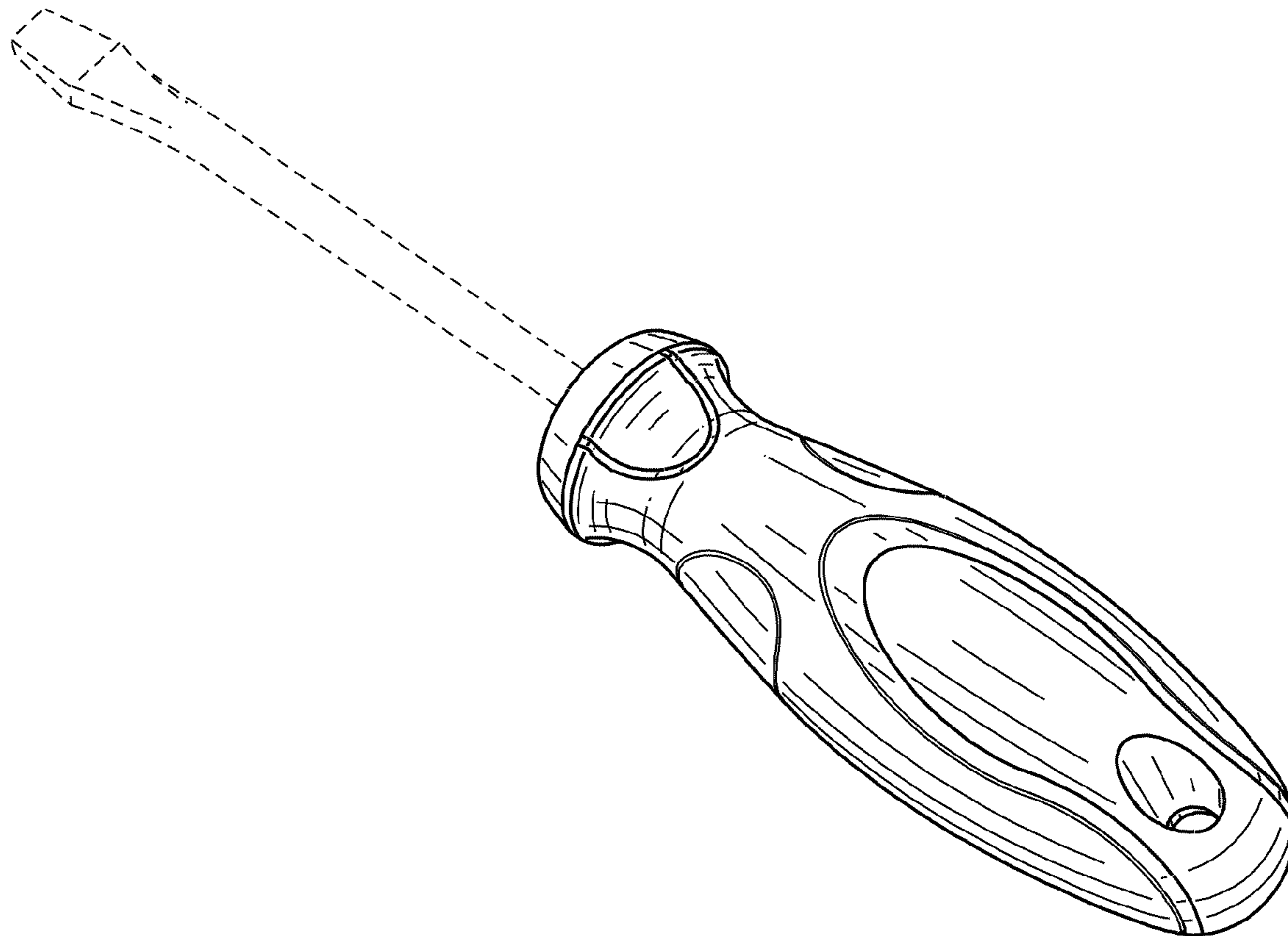
(57) **CLAIM**

What is claimed is the ornamental design for a tool grip, as shown and described.

DESCRIPTION

FIG. 1 is a perspective view of a tool grip;
FIG. 2 is a top view of the tool grip;
FIG. 3 is a side-view of the tool grip;
FIG. 4 is a first end-view of the tool grip; and,
FIG. 5 is a second end-view of the tool grip.
The dotted lines are provided for illustrative purposes only and form no part of the design claimed.

1 Claim, 3 Drawing Sheets



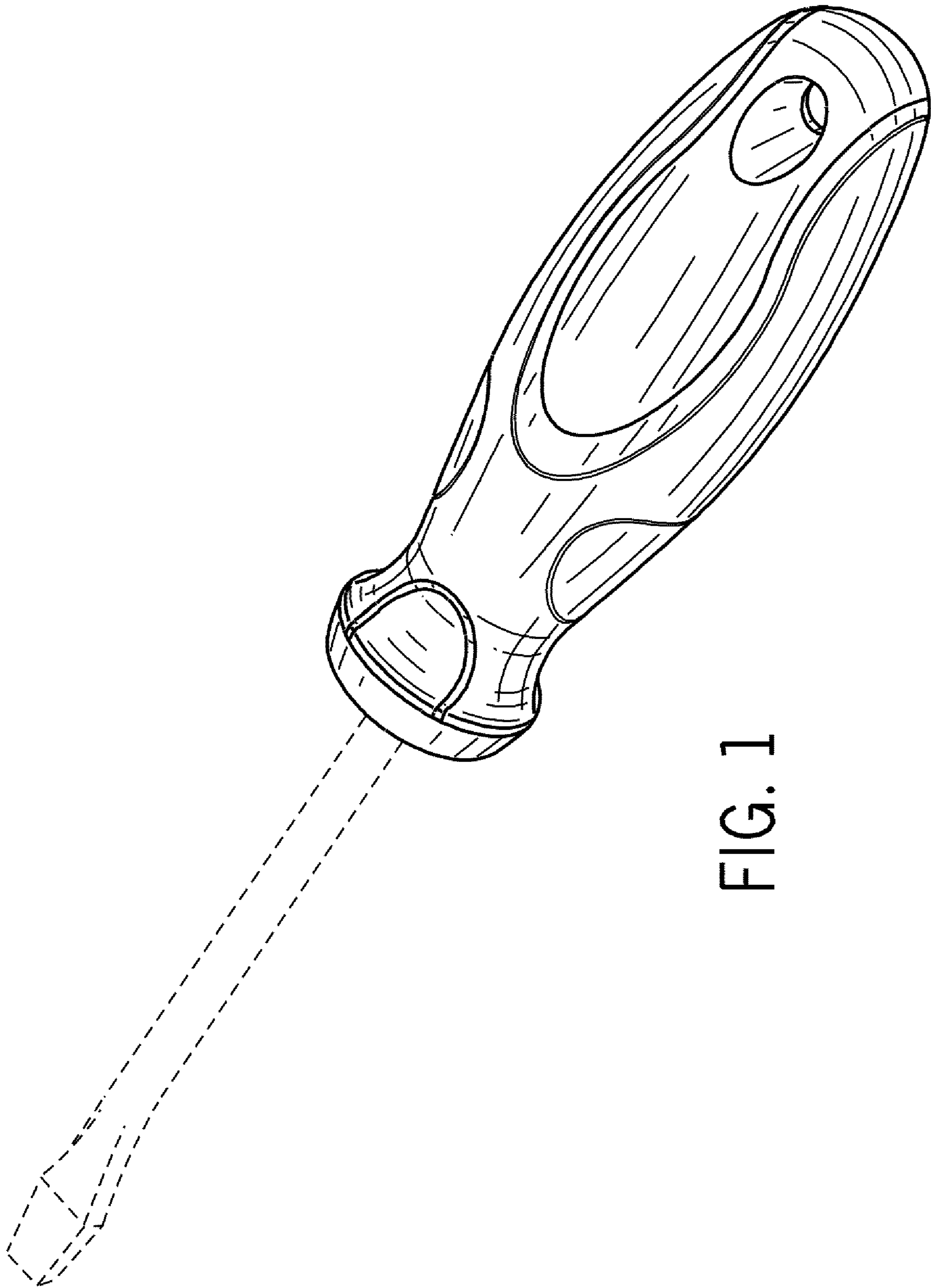


FIG. 1

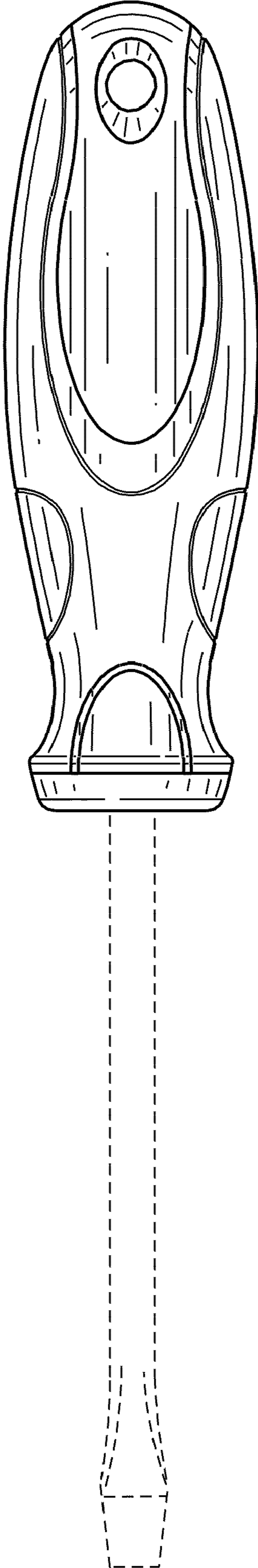


FIG. 2

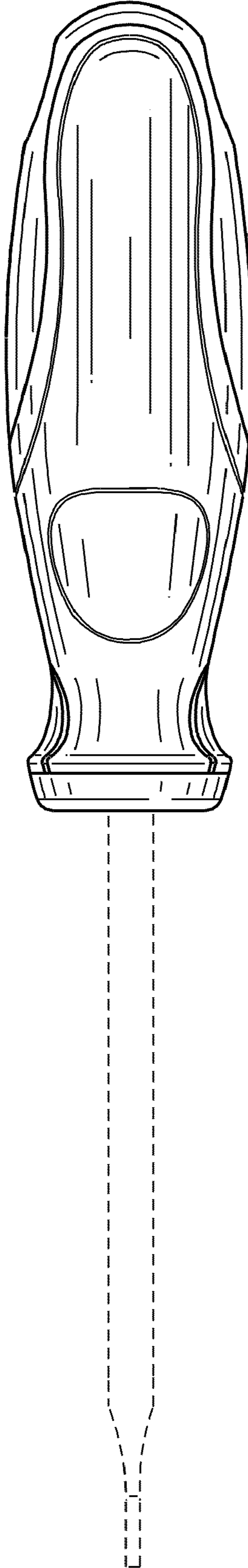


FIG. 3

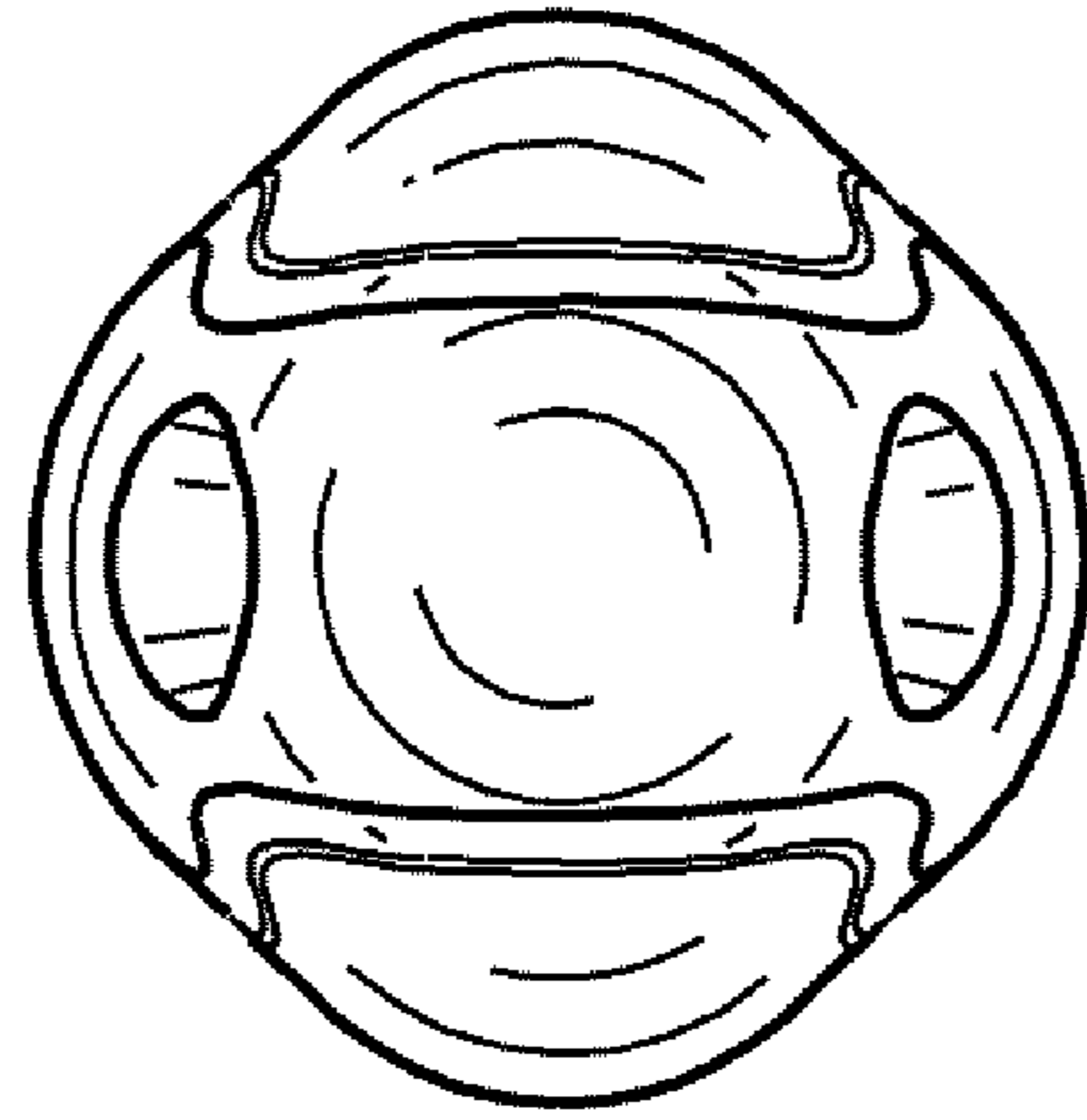


FIG. 5

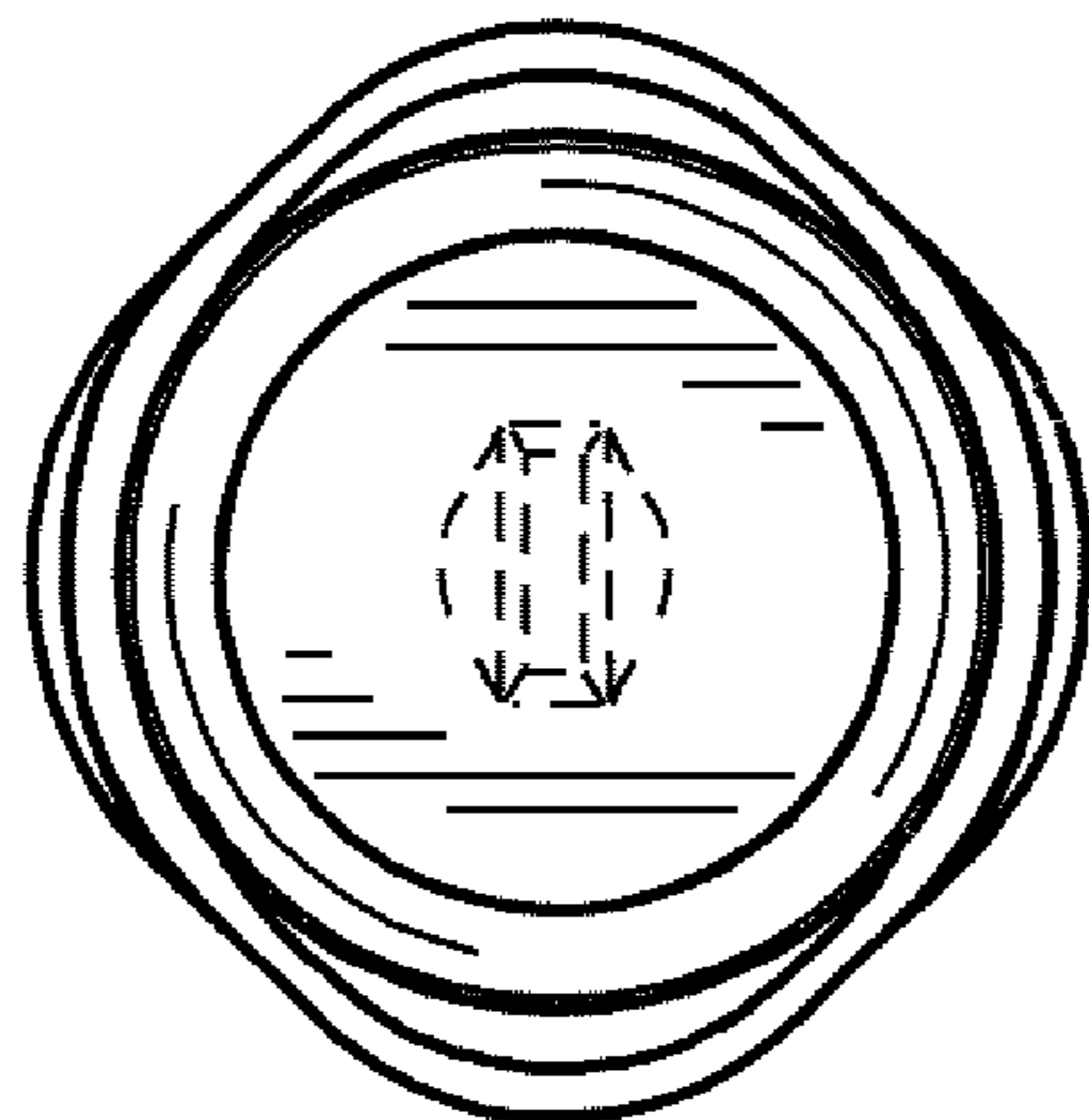


FIG. 4